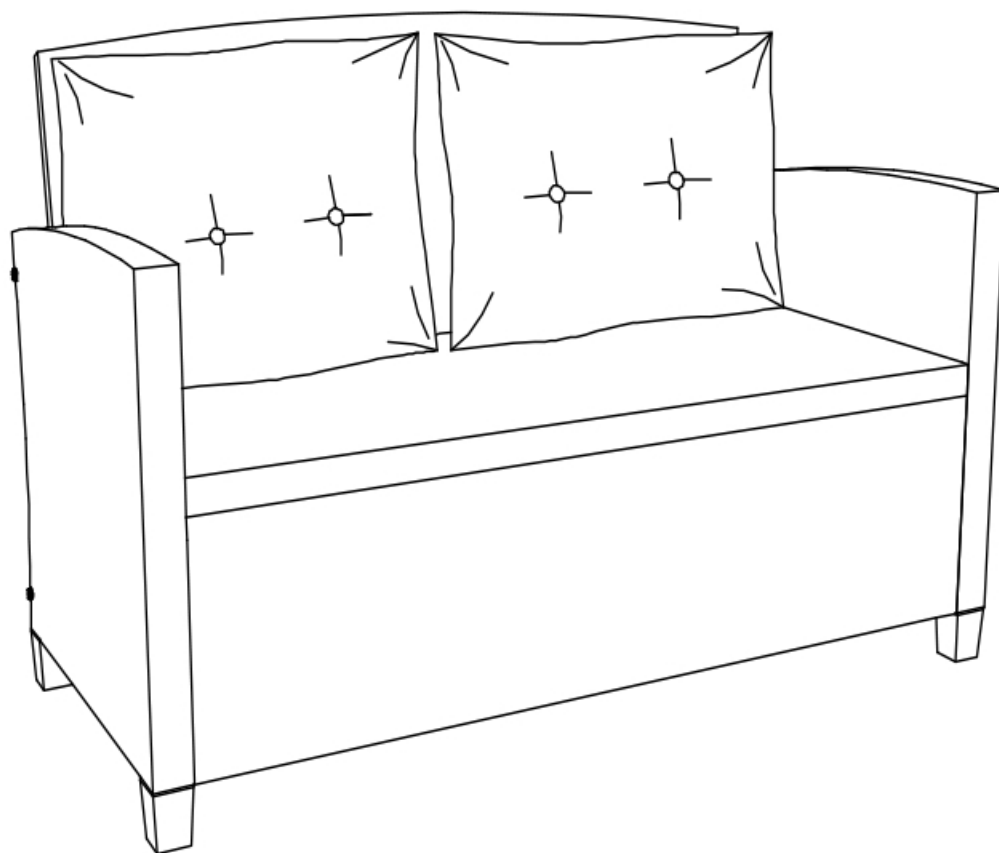


M & L Co.
MUSE & LOUNGE™

KD-OS1111-LV



ASSEMBLY INSTRUCTIONS

OUTDOOR LOVESEAT

PARTS

Check that you've received all parts listed below.

Ⓐ



(1 pc)

Ⓑ



(1 pc)

Ⓒ



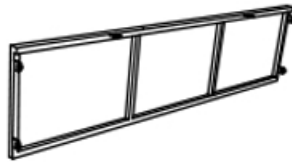
(1 pc)

Ⓓ



(1 pc)

Ⓔ



(1 pc)

Ⓕ



(1 pc)

Ⓖ



(2 pcs)

HARDWARE

Check that you've received all hardware listed below.

① M6x70 mm



(4 pcs)

② M6x25 mm



(10 pcs)

③ Ø6x14x1 mm



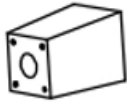
(14 pcs)

④ M6x55 mm



(4 pcs)

⑤ 45x45x65 mm



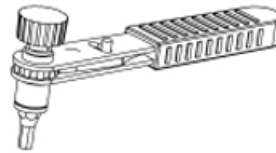
(4 pcs)

⑥ Allen key 4x98 mm



(1 pc)

⑦ Torque wrench



(1 pc)

Missing something? Email us at hello@museandlounge.com

Torque Wrench

How to Use:

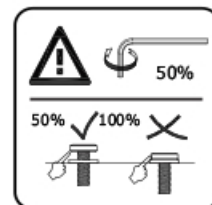
When turning the screw clockwise, please turn the "P" to the left side.

When turning the screw counterclockwise, please turn the "P" to the right side.

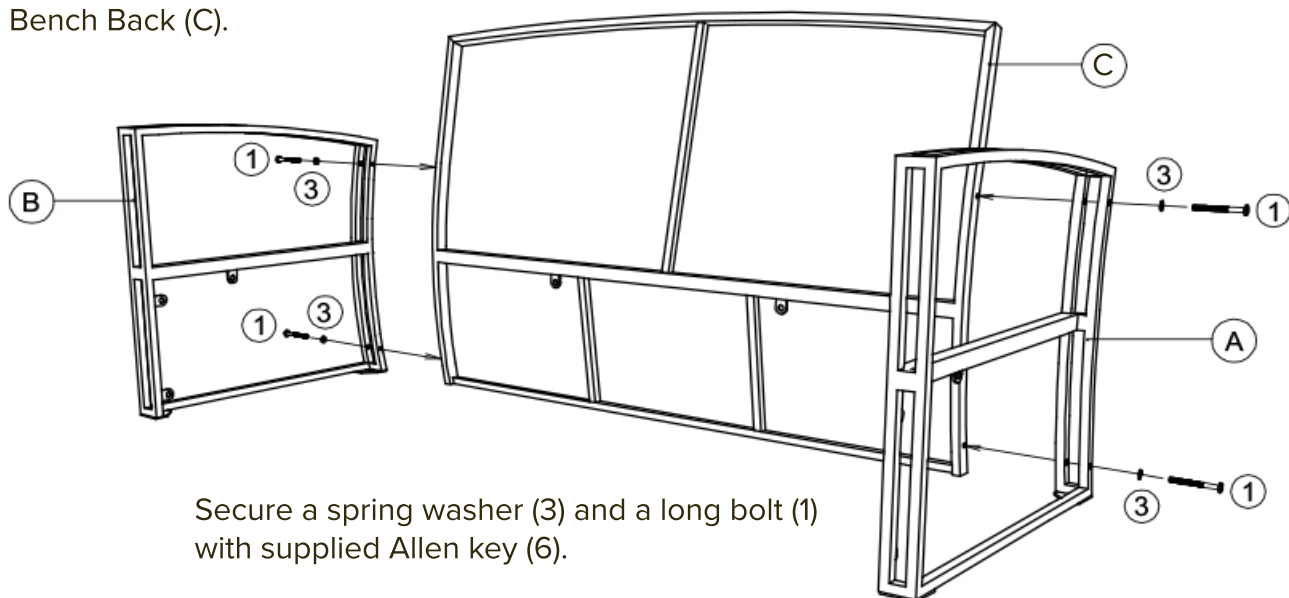
NOTE: A Torque Wrench is the recommended alternative to an Allen key and is typically easier to use.

STEP 1

Tighten bolts halfway



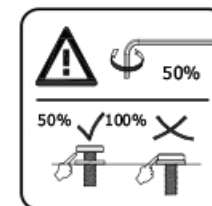
Align Arms (A, B) with Bench Back (C).



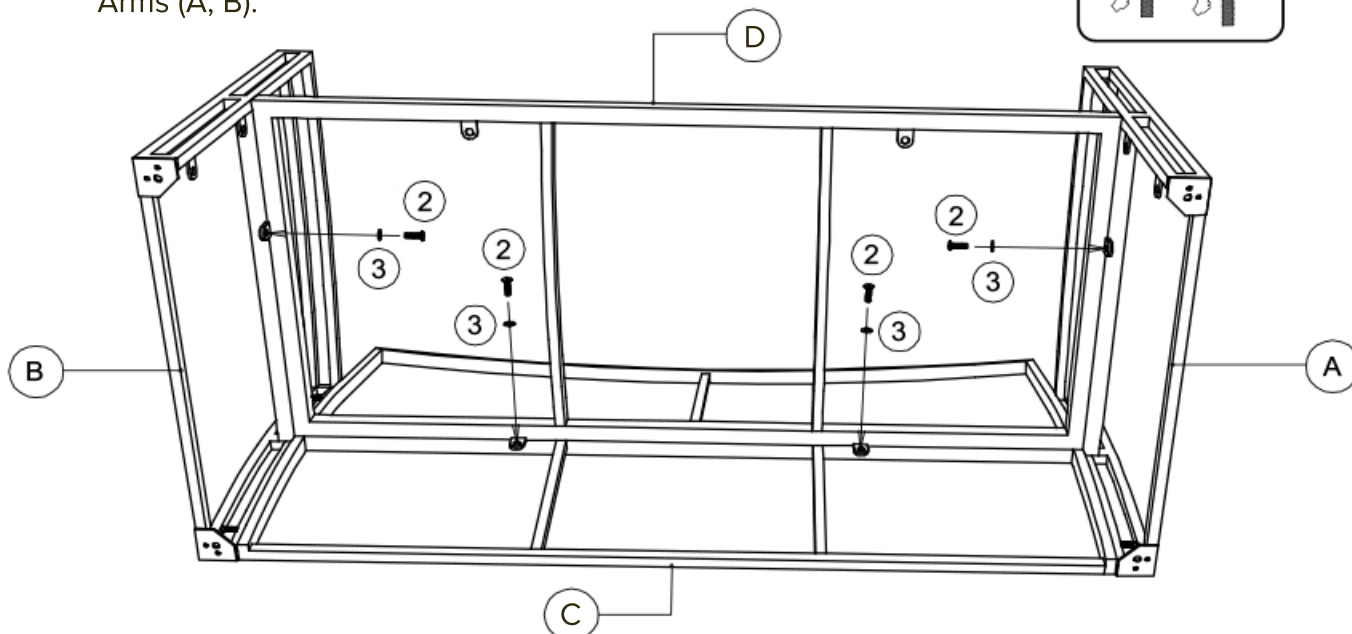
Secure a spring washer (3) and a long bolt (1) with supplied Allen key (6).

STEP 2

Tighten bolts halfway



Align Bench Seat (D) between Arms (A, B).

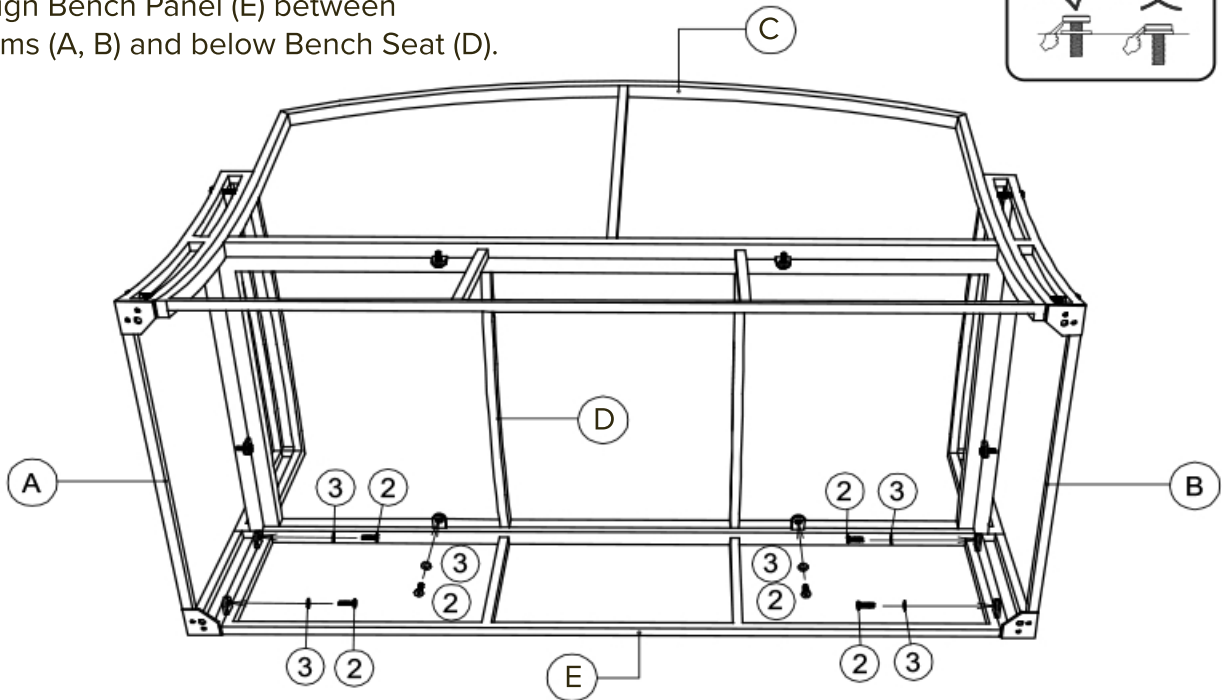


Secure a spring washer (3) and a short bolt (2) with supplied Allen key (6).

STEP 3

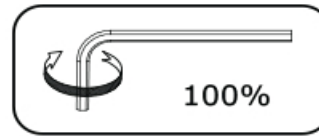
Align Bench Panel (E) between Arms (A, B) and below Bench Seat (D).

Tighten bolts halfway

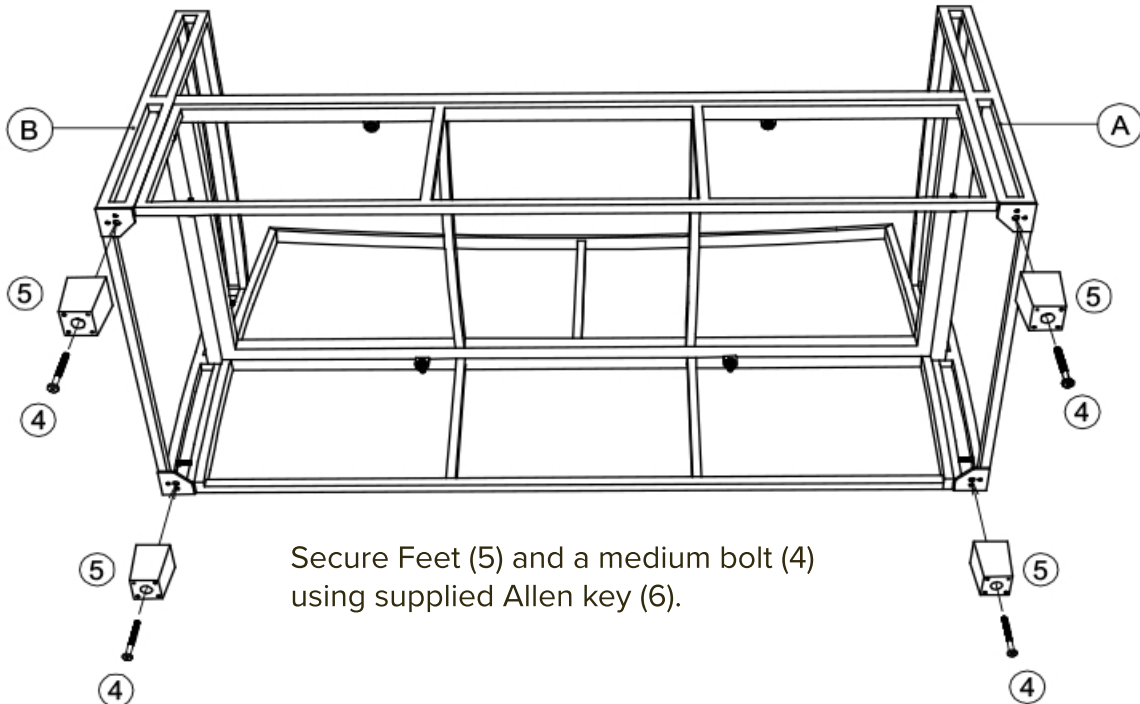


Secure a spring washer (3) and a short bolt (2) with supplied Allen key (6).

STEP 4

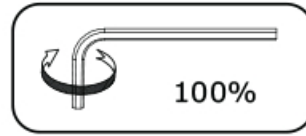


Fully tighten all bolts.

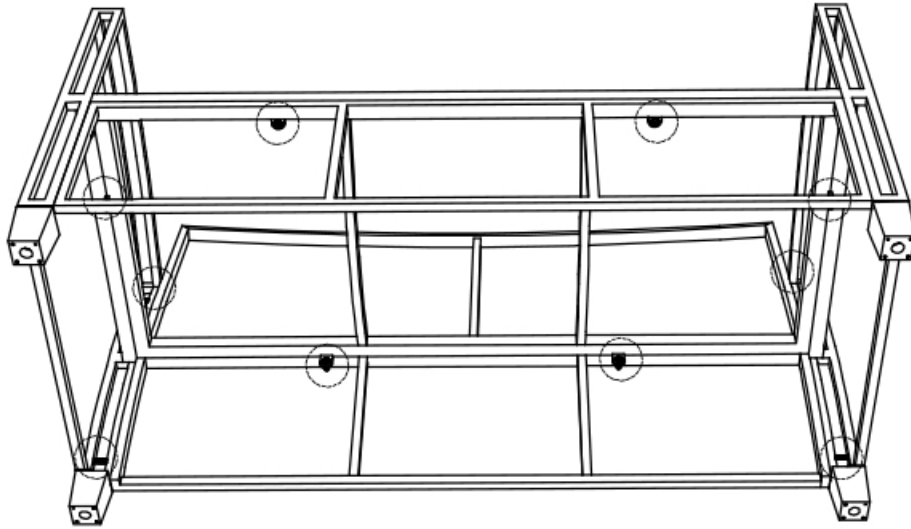


Secure Feet (5) and a medium bolt (4) using supplied Allen key (6).

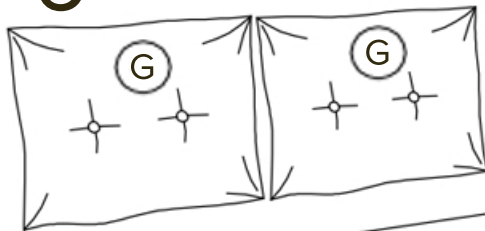
STEP 5



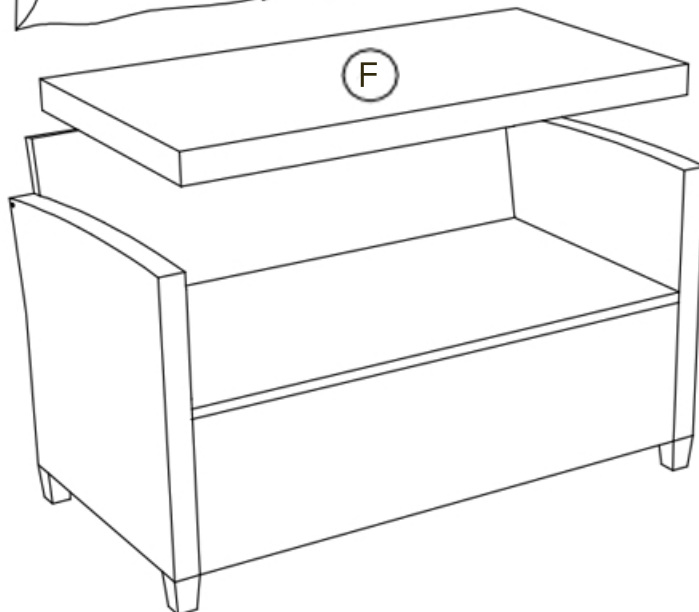
Fully tighten all bolts.



STEP 6



Place Seat Cushion (F) and Back Pillows (G).



Enjoy.

Need some help?



1-888-980-5122



@museandloungeco



hello@museandlounge.com



CARE INSTRUCTIONS

Outdoor furniture naturally weathers and shows color variation over time. We recommend the following care for the best results:

- Wipe with a soft cloth.
- Wash with mild soap and water as needed; do not use abrasive cleaners.
- Cover furniture with an outdoor cover (not included) when not in use.
- Store in a dry, covered area during inclement weather or winter season.



After assembly is completed, save these instructions and any included tools for future maintenance or re-assembly.

V.220518