

ASSEMBLY INSTRUCTIONS

OUTDOOR END TABLE

PARTS

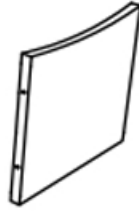
Check that you've received all parts listed below.

Ⓐ



(2 pcs)

Ⓑ



(2 pcs)

Ⓒ



(1 pc)

Ⓓ



(1 pc)

HARDWARE

Check that you've received all hardware listed below.

① Ø6x14x1 mm



(14 pcs)

② M6x30 mm

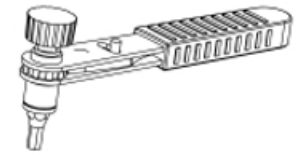


(14 pcs)

③ Allen key 4x98 mm ④ Torque wrench



(1 pc)



(1 pc)

Missing something? Email us at hello@museandlounge.com

Torque Wrench

How to Use:

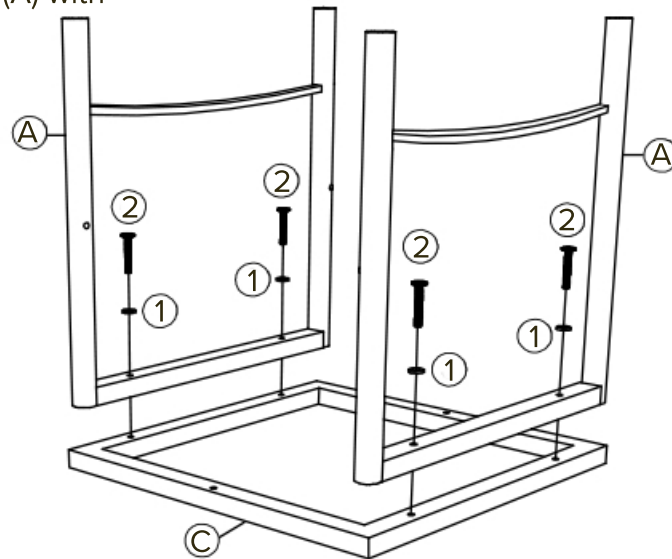
When turning the screw clockwise, please turn the "P" to the left side.

When turning the screw counterclockwise, please turn the "P" to the right side.

NOTE: A Torque Wrench is the recommended alternative to an Allen key and is typically easier to use.

STEP 1

Align Table Leg Panel (A) with Top Frame (C).



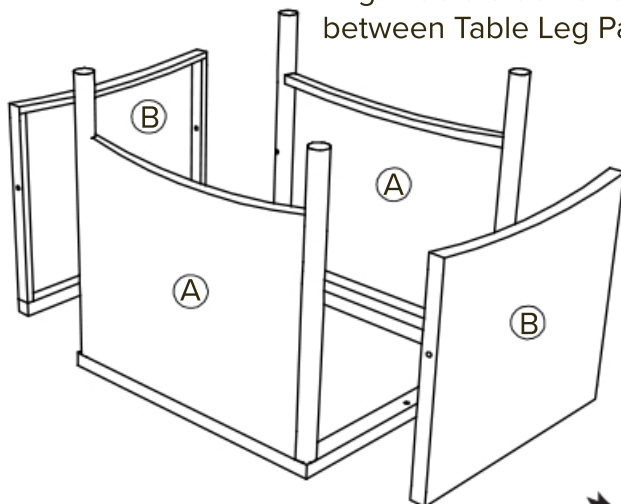
Tighten bolts halfway



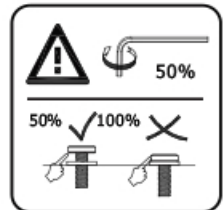
Secure a spring washer (1) and a bolt (2) with supplied Allen key (3).

STEP 2

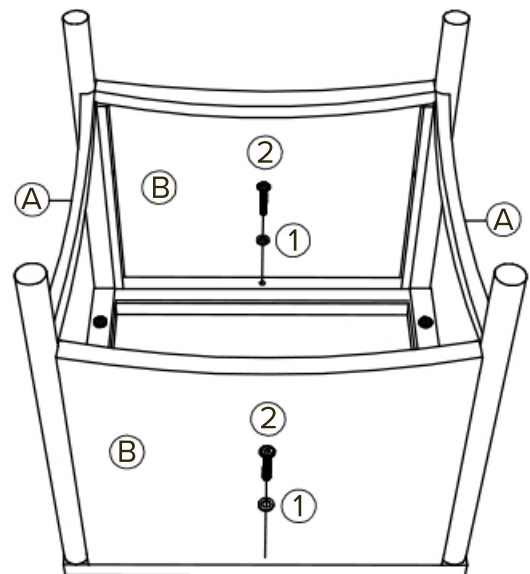
Align Table Side Panel (B) between Table Leg Panel (A).



Tighten bolts halfway



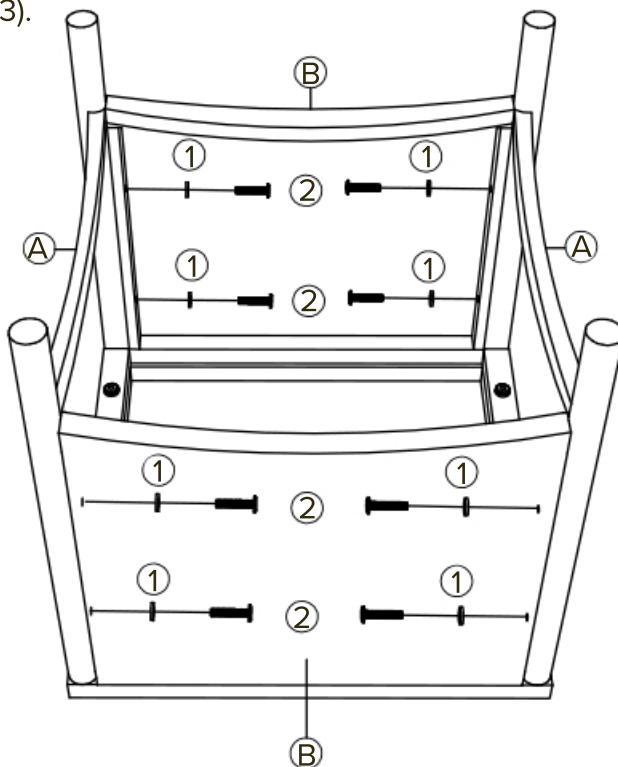
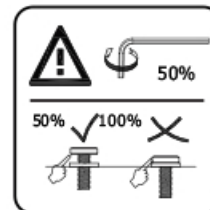
Secure a spring washer (1) and a bolt (2) with supplied Allen key (3).



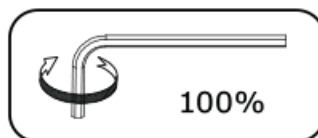
STEP 3

Tighten bolts halfway

Secure a spring washer (1) and a bolt (2) with supplied Allen key (3).

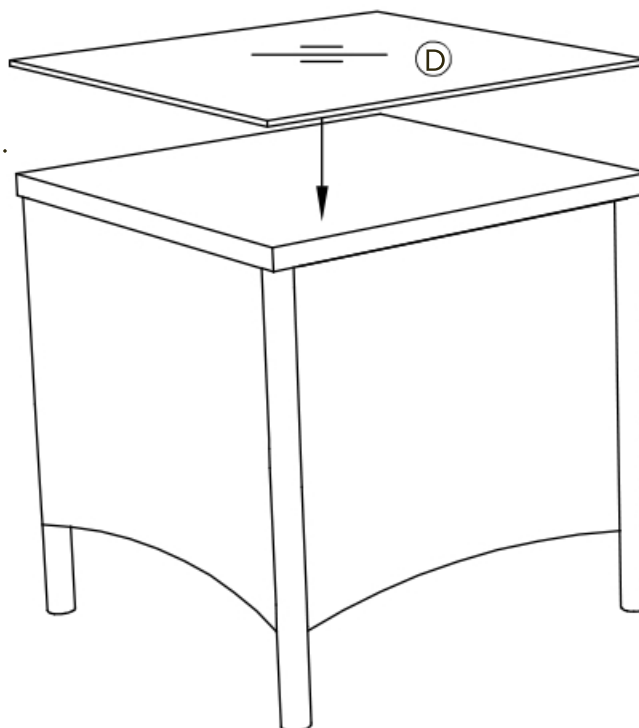


STEP 4



Fully tighten all bolts.

Place Glass Top (D) and ensure the top is level before tightening all bolts.



Enjoy.

Need some help?



1-888-980-5122



@museandloungeco



hello@museandlounge.com



CARE INSTRUCTIONS

Outdoor furniture naturally weathers and shows color variation over time. We recommend the following care for the best results:

- Wipe with a soft cloth.
- Wash with mild soap and water as needed; do not use abrasive cleaners.
- Cover furniture with an outdoor cover (not included) when not in use.
- Store in a dry, covered area during inclement weather or winter season.



After assembly is completed, save these instructions and any included tools for future maintenance or re-assembly.