



ASSEMBLY INSTRUCTIONS

OUTDOOR DINING TABLE

PARTS

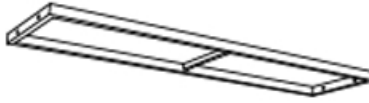
Check that you've received
all parts listed below.

(A)



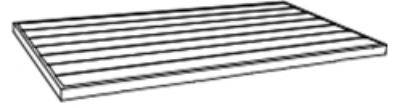
(2 pcs)

(B)



(1 pc)

(C)



(1 pc)

HARDWARE

Check that you've received all hardware listed below.

① M6x35 mm



(4 pcs)

② Ø6x14x1 mm



(4 pcs)

③ M8x20 mm



(8 pcs)

④ Ø8x16x1 mm



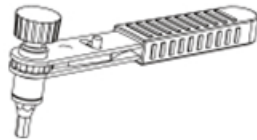
(8 pcs)

⑤ Allen key 4x98 mm



(1 pc)

⑥ Torque wrench



(1 pc)

Missing something? Email us at hello@museandlounge.com

Torque Wrench

How to Use:

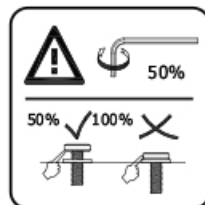
When turning the screw clockwise, please turn the "P" to the left side.

When turning the screw counterclockwise, please turn the "P" to the right side.

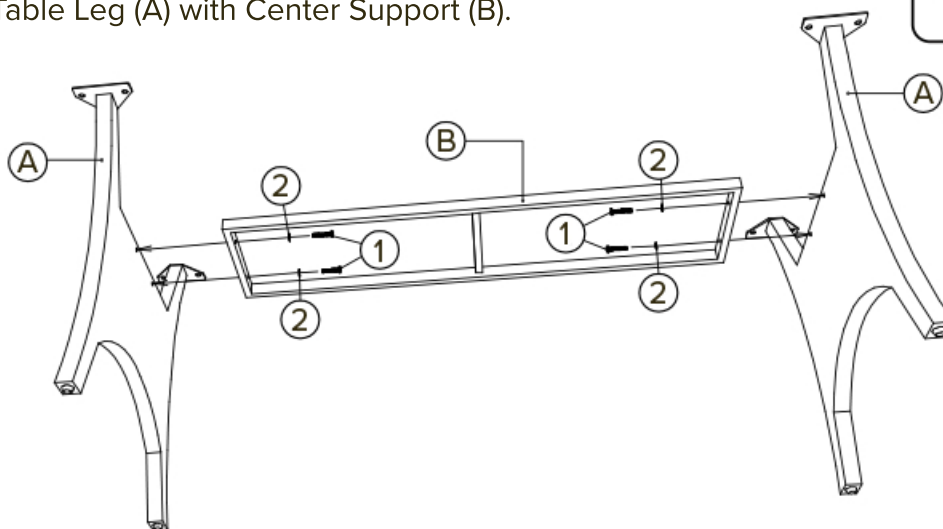
NOTE: A Torque Wrench is the recommended alternative to an Allen key and is typically easier to use.

STEP 1

Tighten bolts halfway



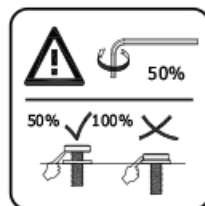
Align Table Leg (A) with Center Support (B).



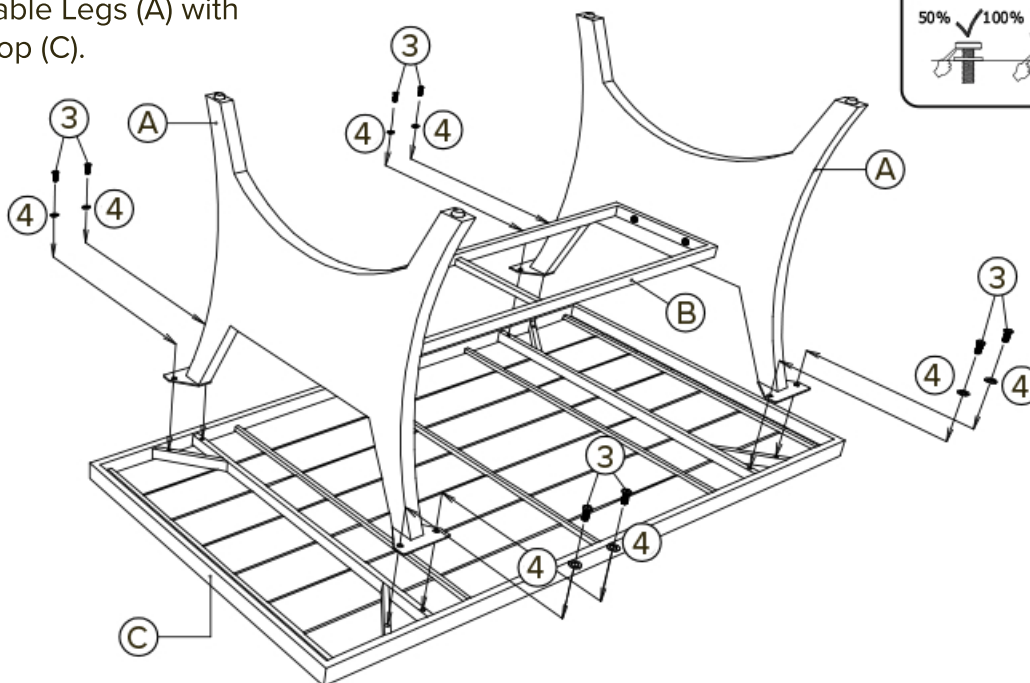
Secure spring washer (2) and long bolt (1) with supplied Allen key (5).

STEP 2

Tighten bolts halfway

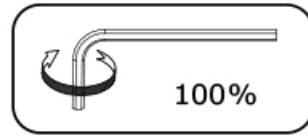


Align Table Legs (A) with Table Top (C).



Secure spring washer (4) and short bolt (3) with supplied Allen key (5).

STEP 3



Fully tighten
all bolts.



Need some help?



1-888-980-5122



@museandloungeco



hello@museandlounge.com



CARE INSTRUCTIONS

Outdoor furniture naturally weathers and shows color variation over time. We recommend the following care for the best results:

- Wipe with a soft cloth.
- Wash with mild soap and water as needed; do not use abrasive cleaners.
- Cover furniture with an outdoor cover (not included) when not in use.
- Store in a dry, covered area during inclement weather or winter season.



After assembly is completed, save these instructions and any included tools for future maintenance or re-assembly.