

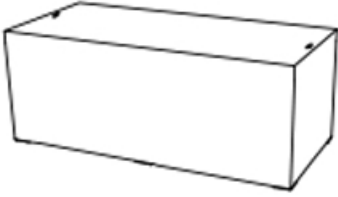
# ASSEMBLY INSTRUCTIONS

OUTDOOR SOFA BENCH

# PARTS

Check that you've received  
all parts listed below.

Ⓐ



(1 pc)

Ⓑ



(1 pc)

# HARDWARE

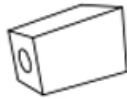
Check that you've received all hardware listed below.

① M6x55 mm



(6 pcs)

② 45x45x65 mm



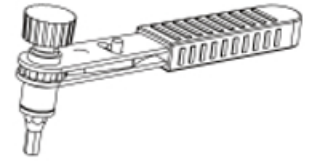
(6 pcs)

③ Allen key 4x98 mm



(1 pc)

④ Torque wrench



(1 pc)

Missing something? Email us at [hello@museandlounge.com](mailto:hello@museandlounge.com)

**Torque Wrench**

How to Use:

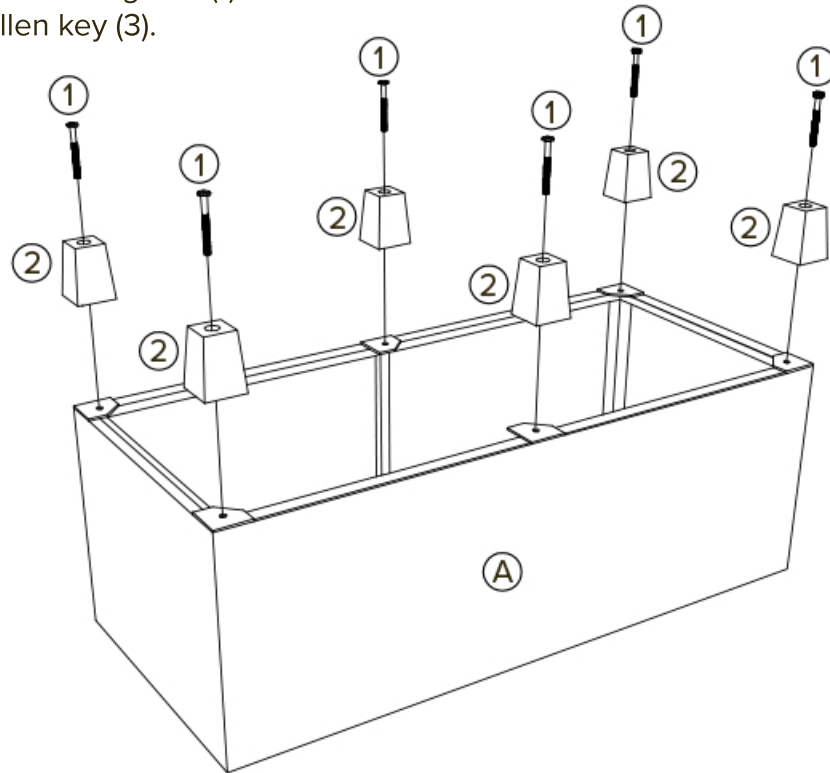
NOTE: A Torque Wrench is the recommended alternative to an Allen key and is typically easier to use.

# STEP 1

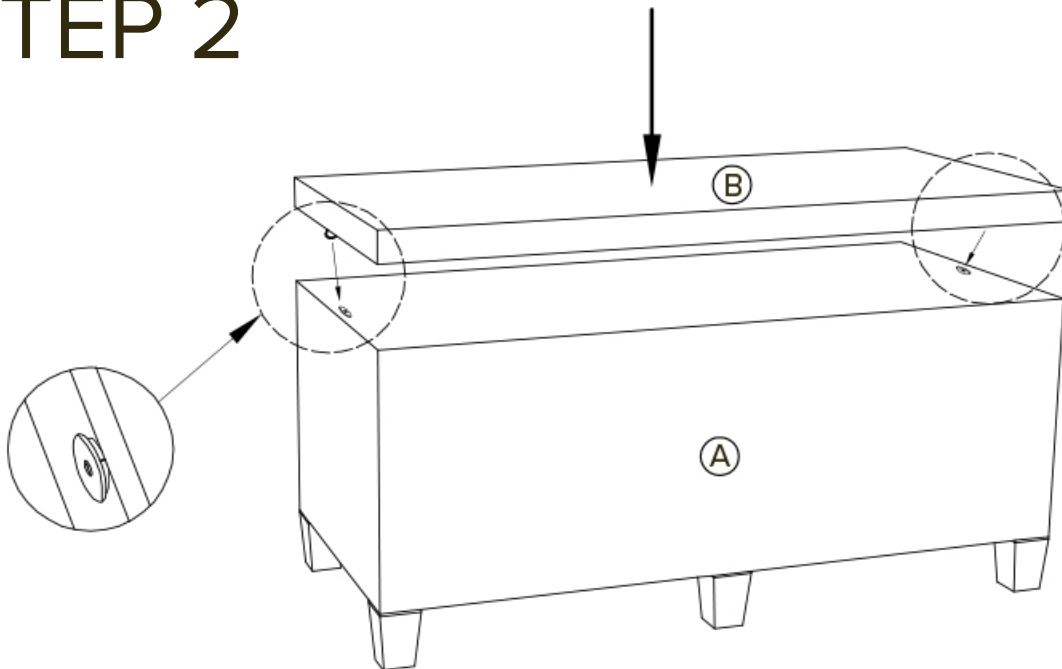


Fully tighten all bolts.

Secure Feet (2) with a long bolt (1) using supplied Allen key (3).



# STEP 2



Place Seat Cushion (B) and latch onto Bench (A).

Enjoy.

# Need some help?



1-888-980-5122



@museandloungeco



hello@museandlounge.com



## CARE INSTRUCTIONS

Outdoor furniture naturally weathers and shows color variation over time. We recommend the following care for the best results:

- Wipe with a soft cloth.
- Wash with mild soap and water as needed; do not use abrasive cleaners.
- Cover furniture with an outdoor cover (not included) when not in use.
- Store in a dry, covered area during inclement weather or winter season.



After assembly is completed, save these instructions and any included tools for future maintenance or re-assembly.

V.220518