

2

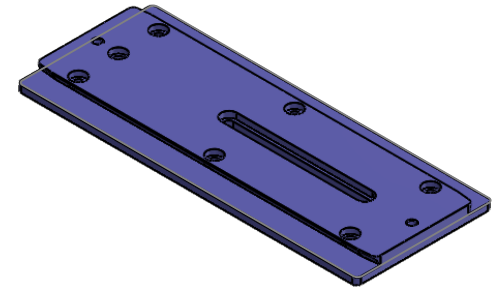
1



Hole Identification

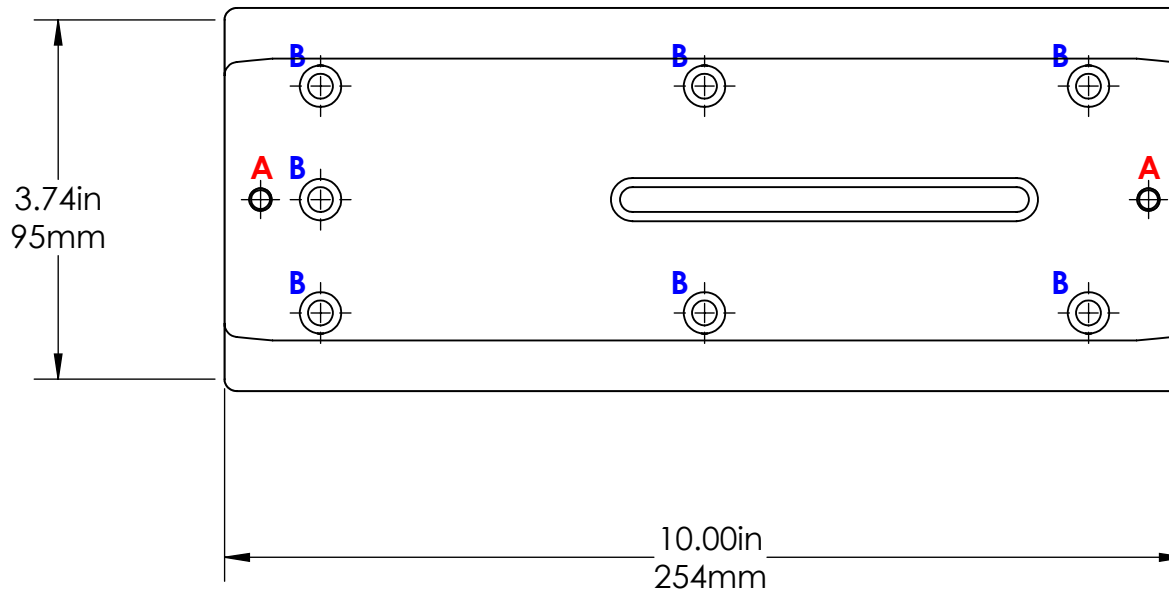
M6x1.0 x 2 places (A)

Unthreaded: 6.6 thru, 11mm counterbore x 7 places (B)



B

B



A

A



FMDUP

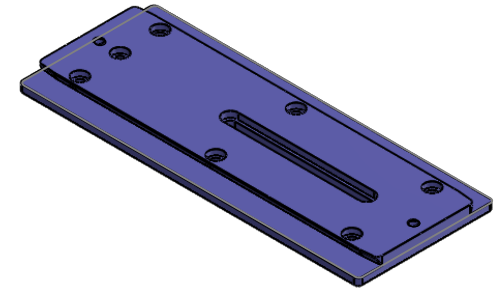
2

1

2

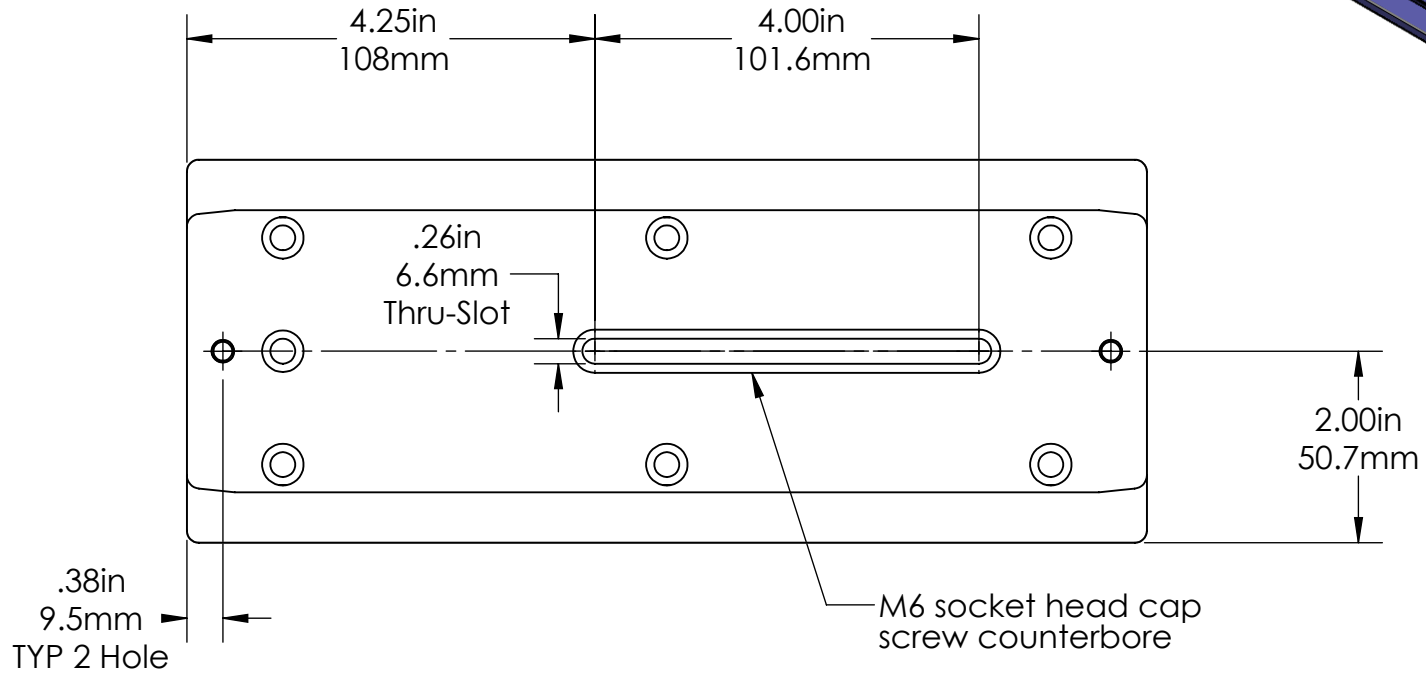
1

M6x1.0 and Slot Spacing



B

B



A

A



FMDUP

2

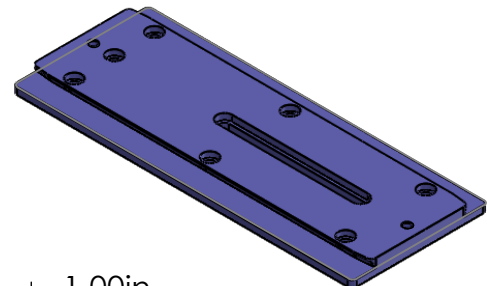
1

2

1

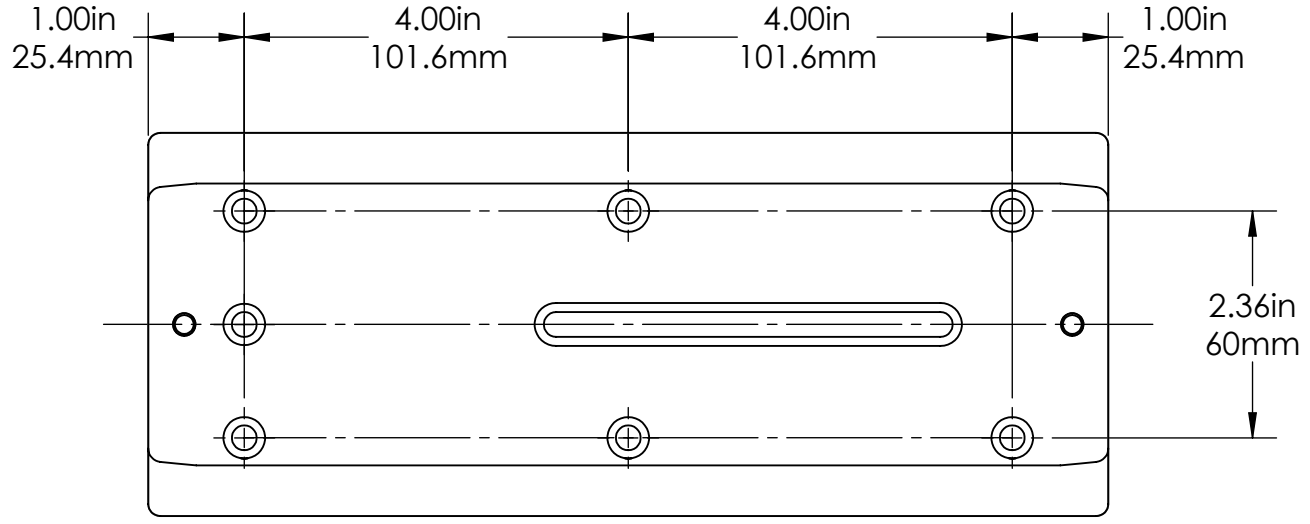


Unthreaded hole spacing



B

B



A

A



FMDUP

2

1