

2

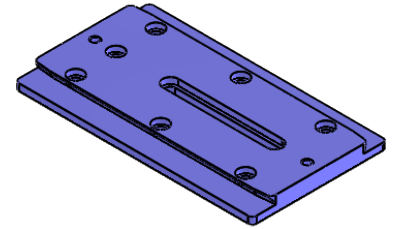
1



Hole Identification

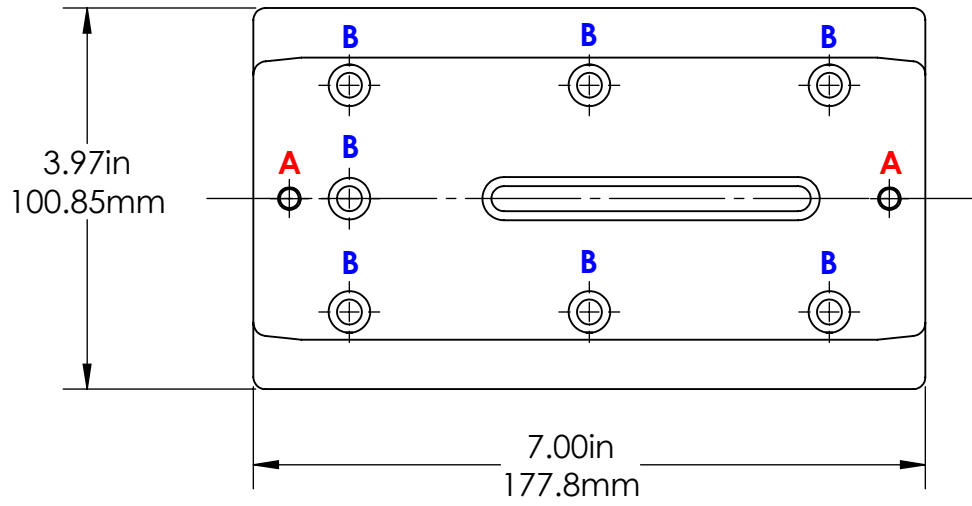
M6x1.0 x 2 places (A)

Unthreaded: 6.6mm, 11mm counterbore x 7 places (B)



B

B



A

A



FMDUPS

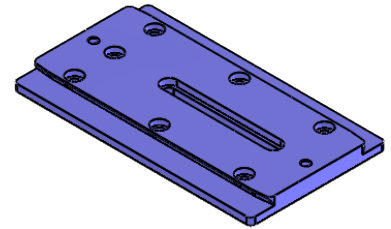
2

1

2

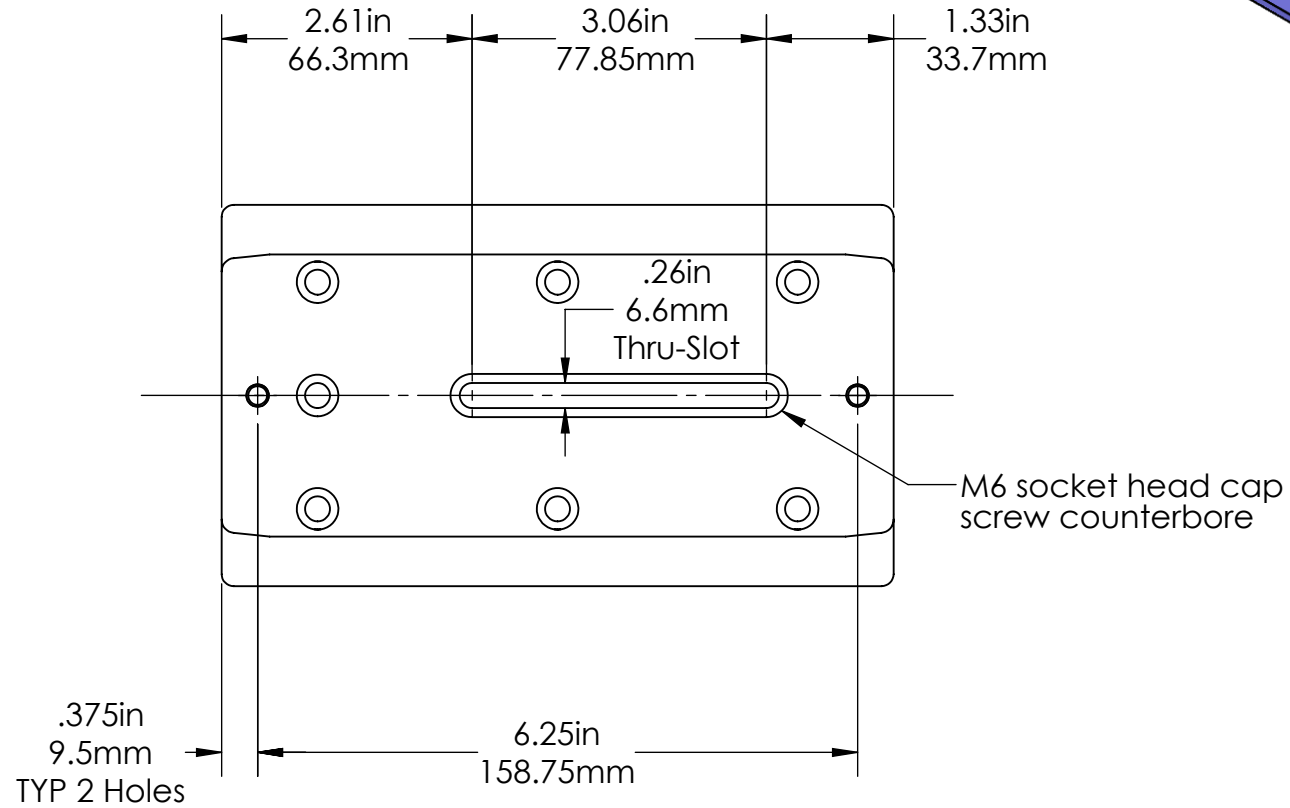
1

M6x1.0 and Slot Spacing



B

B



A

A



FMDUPS

2

1

2

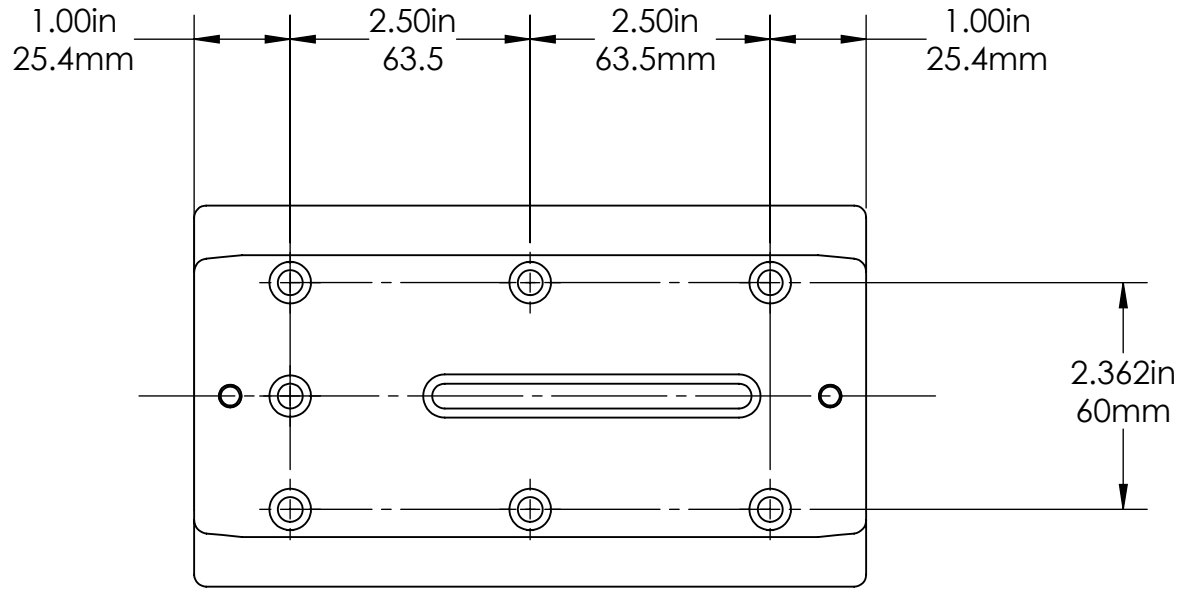
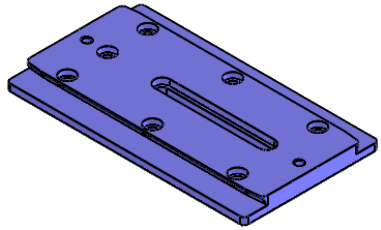
1



Unthreaded hole spacing

B

B



A

A



FMDUPS

2

1