

2

1

Bottom View (Tapped hole ID)

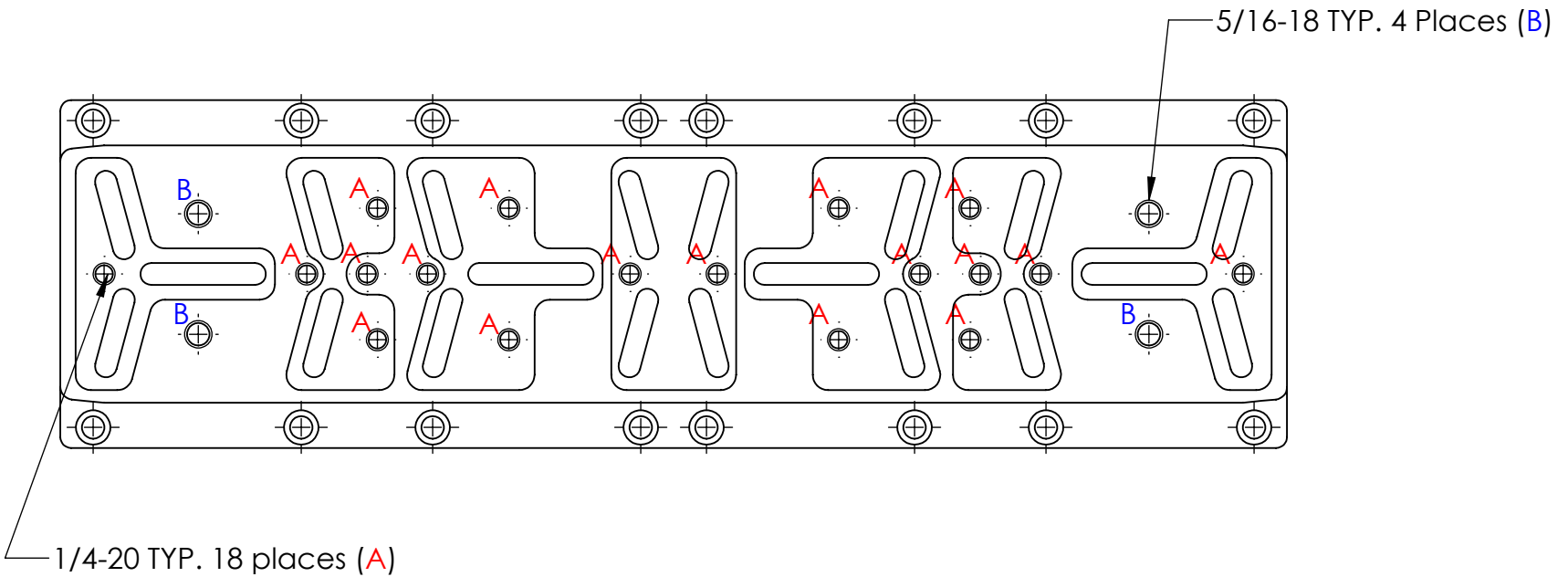


B

B

A

A



FARPOINT DOVETAIL PLATE 573 -14

2

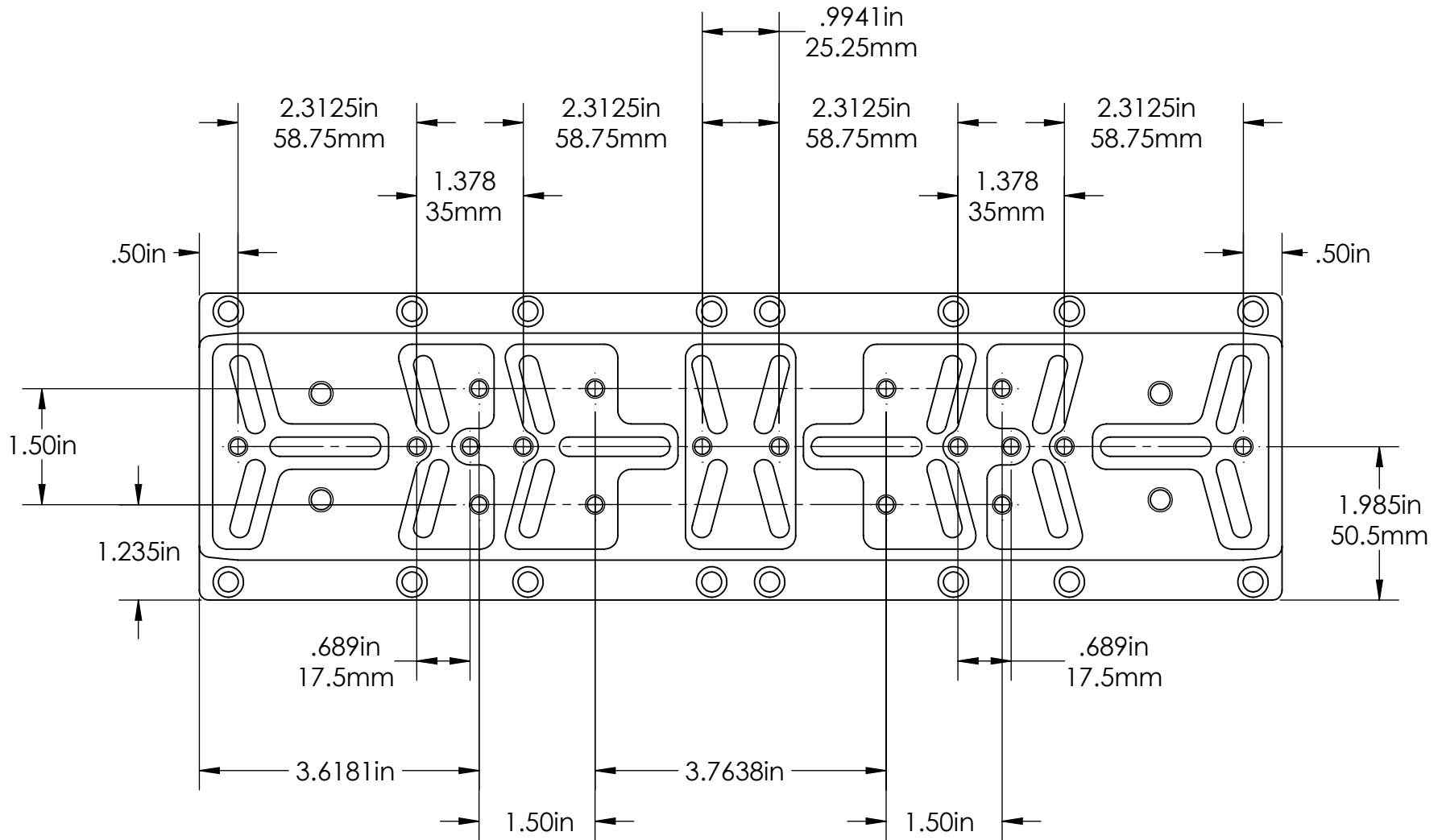
1

Bottom View (1/4-20 hole spacing)



B

B



A

A



FARPOINT DOVETAIL PLATE 573 -14

2

1

2

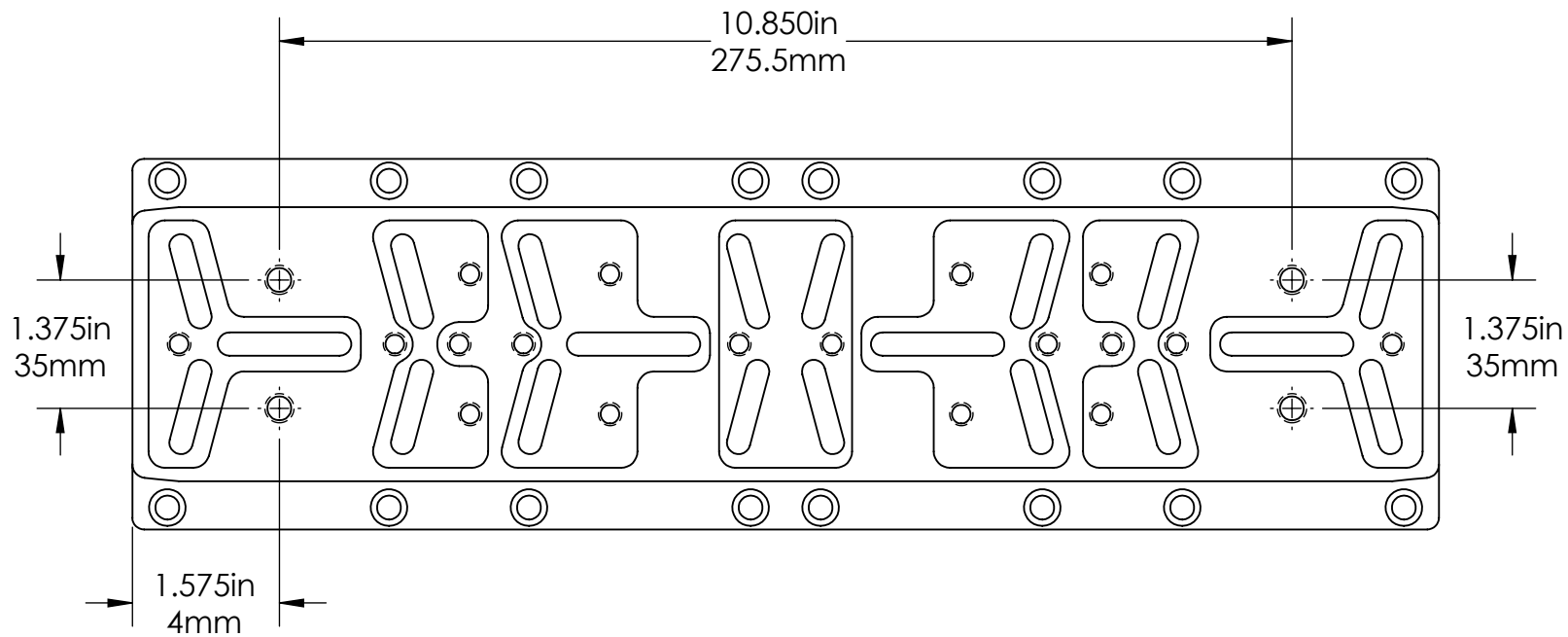
1

Bottom View (5/16-18 Tapped Hole Spacing)



B

B



A

A



FARPOINT DOVETAIL PLATE 573 -14

2

1

2

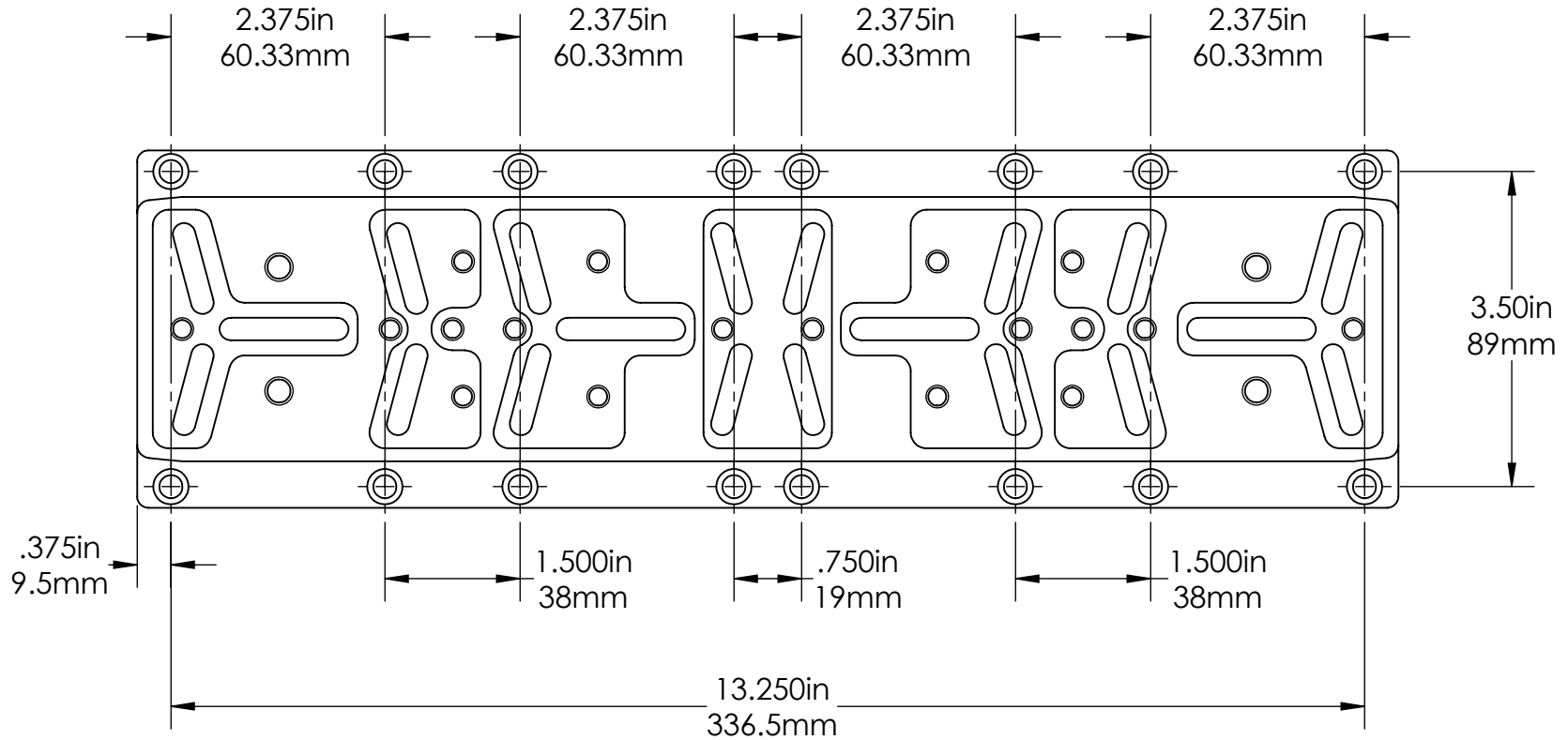
1

Bottom View (Untapped Hole Spacing)



B

B



A

A



FARPOINT DOVETAIL PLATE 573 -14

2

1