

UPRIGHT WEATHER STATION

PRODUCT GUIDE

IP 082659

THIS PRODUCT GUIDE MAY BE PHOTOCOPIED FOR CLASS USE ONLY

CONTENTS include all Weather Station components and 10 weather recording sheets.

WIND SPEED Wind speed is indicated by the cock's eye moving up the clear plastic tube. The higher the eye moves, the stronger the wind speed measured in k.p.h. and m.p.h. and the colder it will feel (called wind chill).

WIND DIRECTION The weathercock's head faces into the wind, for example wind blowing from the South (a Southerly wind) will make the cock's head move around to face the South with the wind blowing into its beak.

RAIN GAUGE The rain gauge collects rain water and gives a direct reading for the amount of rain that has fallen (shown in mm's and inches). For best results take a reading once a day and empty afterwards to prevent evaporation affecting the readings.

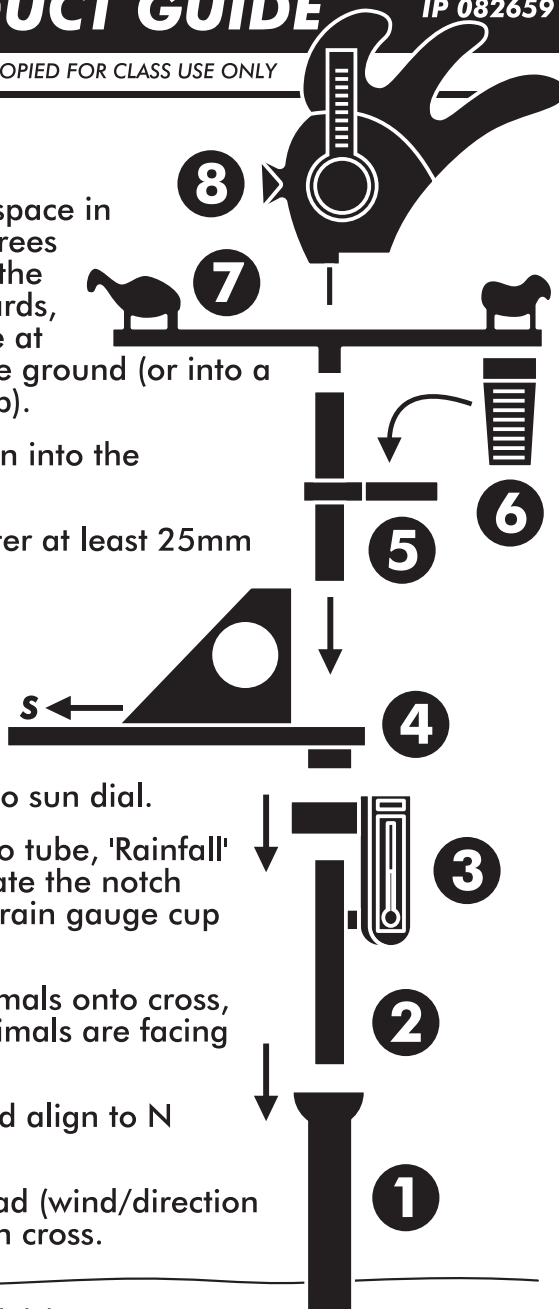
SUN DIAL A sun dial shows the approximate time of day by the sun casting a shadow on the dial. The edge of the shadow aligns with a number which corresponds with the time of day. To assemble the sun dial, choose a sunny day and rotate the dial on the tube until the shadow which is created aligns with the number which represents the correct time (taken from a watch/clock).

THERMOMETER To record air temperature (which is normally shown on TV weather reports in °C). The thermometer should be placed in shade and not in direct sunlight. The thermometer can be read in °C or °F and a useful temperature is Freezing Point -0°C/32°F.

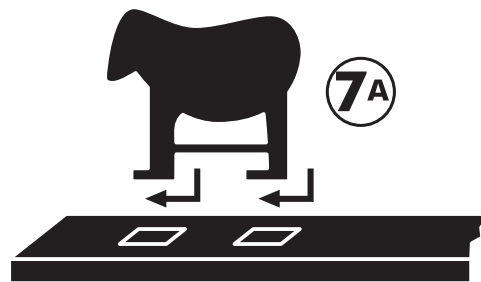
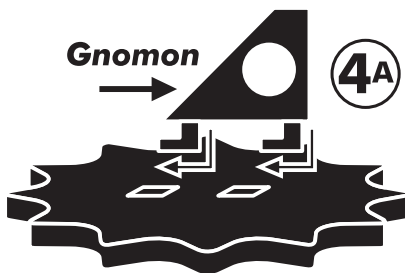
REPORT Use the weather recording charts (10 incl.) to collect information on all aspects of the weather over a period of time. Make sure you write down the day, month and time, so you can compare your results at different times of the year.

ASSEMBLY

- 1 Select a clear/open space in garden (away from trees and shadows). With the belled-out end upwards, drive belled-out tube at least 200mm into the ground (or into a large plant pot or tub).
- 2 Push one tube section into the belled-out tube.
- 3 Slide the Thermometer at least 25mm onto the tube.
- 4A Assemble sun dial.
- 4B Fit onto tube assembly facing South.
- 5 Push second tube into sun dial.
- 6 Slide rain gauge onto tube, 'Rainfall' facing upwards. Locate the notch onto gnomon. Drop rain gauge cup into holder.
- 7A Assemble NSEW animals onto cross, ensuring that the animals are facing out from the centre.
- 7B Fit on top of tube and align to N using a compass.
- 8 Fit weathercock's head (wind/direction indicator) into hole in cross.



Locate gnomon into slots and slide forwards to lock in position.



WARNING: NOT SUITABLE FOR CHILDREN UNDER 36 MONTHS BECAUSE SMALL PARTS MAY CAUSE A CHOKING HAZARD. TO BE USED ONLY UNDER ADULT SUPERVISION. Please retain the information on this pack for future reference. We reserve the right to alter designs and specifications (including colours and materials) if and when such changes are unavoidable. This product conforms to the safety requirements of EN71, ASTM, 16 CFR, CCC and The Canadian Hazardous Products (Toys) Regulations. MADE IN CHINA

