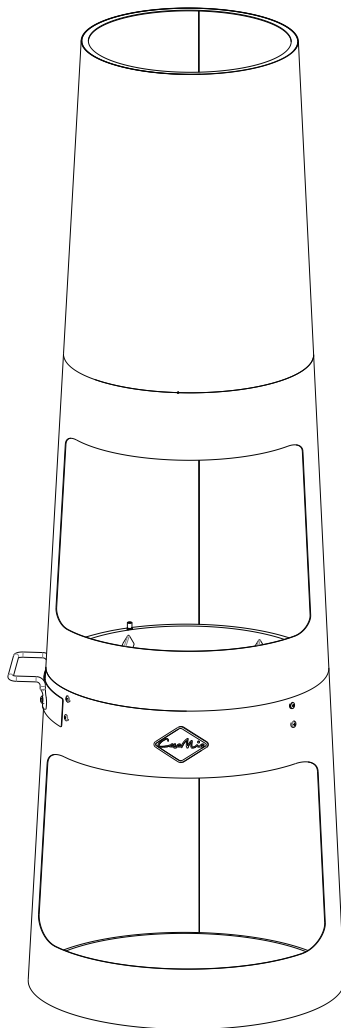


# Casa Mia

Alfresco Cooking & Heating

## ASSEMBLY AND CARE INSTRUCTIONS



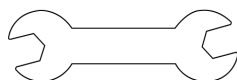
### PRIMO CHIMINEA

**This is an important document.  
Please retain for future reference.  
Please keep your receipt of purchase. Please note we are unable  
to process any warranty claim without proof of purchase.**

## CARE INSTRUCTIONS

- This chiminea is made with Powder-coated Steel. Please avoid contact with sharp or abrasive objects that could damage this coating.
- Do not touch any part of the chiminea that could become hot during operation. Even when extinguished, some parts of this product will retain heat for a period of time
- Children should be supervised at all times when chiminea is in use
- Only use natural, un-treated wood or heat logs to burn and do not overload as this could cause damage to the product and invalidate your warranty.
- Do not use charcoal to burn as this could create excessive heat and cause damage to the product, invalidating your warranty.
- Ash should be cleared away after each use. Once completely cool, sweep the ash towards the Ash Vent which will then collect in the Ash Tray. Remove the Ash Tray and dispose of the ash responsibly.
- We recommend cleaning this product periodically with warm, soapy water and a cloth or non-abrasive brush. Do not use harsh or abrasive chemicals
- To keep your product looking its best, we would always recommend covering with a Casa Mia Cover when not being used for longer periods. Never cover when product is still warm. Throughout the winter months either bring indoors or cover as above. Failure to do so may invalidate your warranty


## REQUIRED TOOLS



You will find a pack within this box tied to a red ribbon which contains the fittings.

**WARNING** – the fittings pack contains **SMALL ITEMS** which are a potential choking hazard and should be kept away from children at all times.

## ASSEMBLY REQUIREMENTS

No. of people required to assemble	
Approximate assembly time	20 minutes

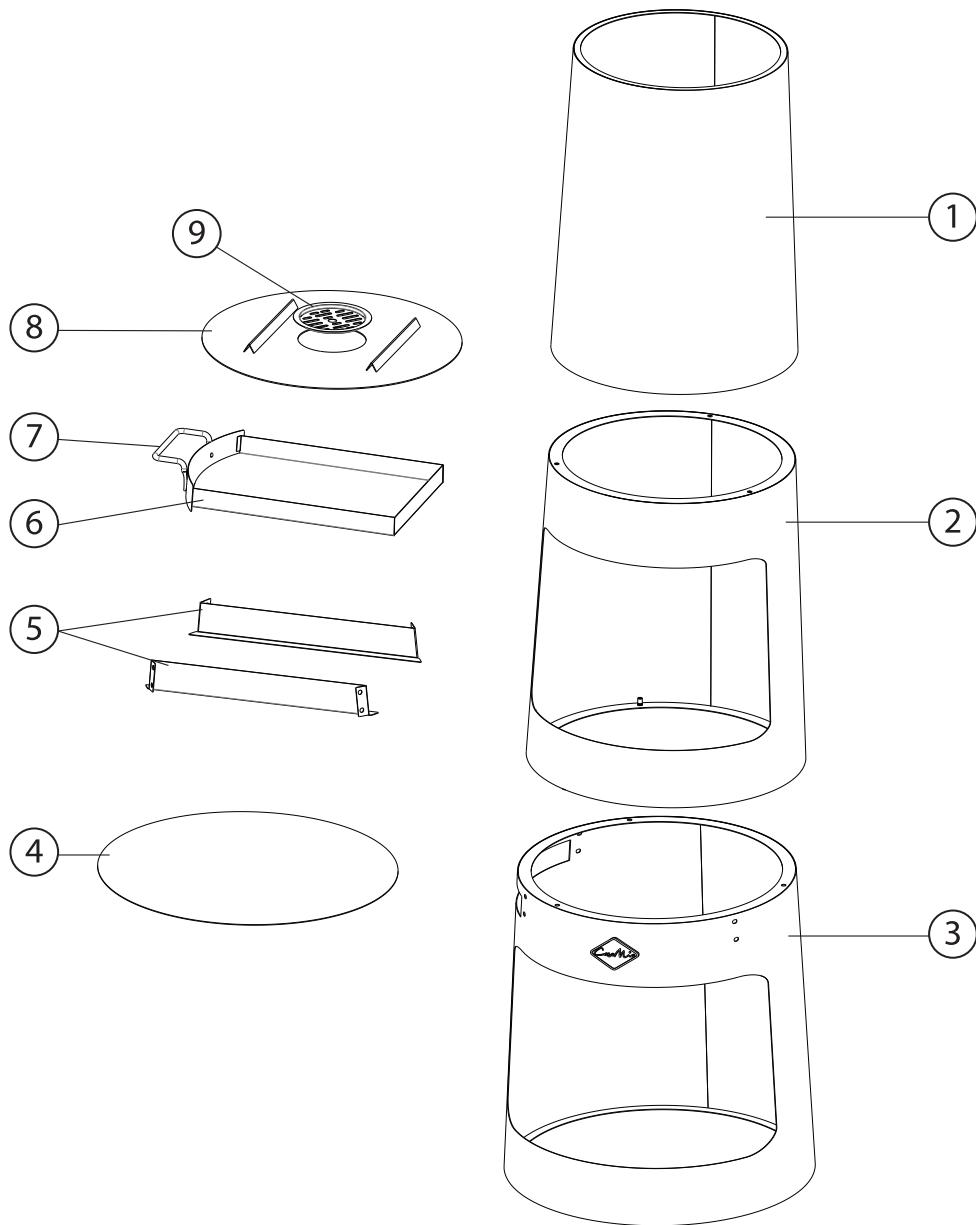
## WARNINGS

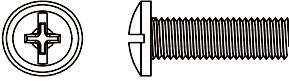

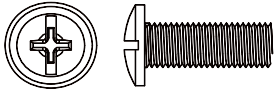

- This appliance is for outdoor use only and should NOT be used in a building, garage, or any other enclosed area.
- Do NOT use this outdoor chiminea for indoor heating TOXIC carbon monoxide fumes can accumulate and cause asphyxiation.
- Do not overload this chiminea with fuel as this could lead to excessive heat, causing damage and invalidation of your warranty. We recommend a maximum load of 1.5kgs of Wood or heatlogs at any time.
- This outdoor chiminea is NOT recommended for commercial use.
- This outdoor chiminea is NOT to be operated by children.
- This outdoor chiminea is NOT to be used in or on boats or recreational vehicles.
- When using this chiminea, exercise the same precautions you would with any open fire.
- The use of alcohol, prescription or non-prescription drugs may impair the consumer's ability to properly assemble or safely operate this outdoor chiminea.
- Do NOT burn manufactured logs, driftwood, trash, leaves, paper, cardboard, plywood, painted or stained or pressure treated wood.
- Do NOT alter this outdoor chiminea in any manner.
- Do NOT use this outdoor chiminea until it is completely assembled.
- Do NOT store or use gasoline or other flammable vapours or liquids in the vicinity of this or any other appliance.
- Do NOT use this outdoor chiminea near cars, trucks, vans or caravans.
- Do NOT use in an explosive atmosphere. Keep outdoor chiminea area clear and free from combustible materials, gasoline and other flammable liquids.
- Do NOT use this outdoor chiminea under any overhang or near any unprotected combustible constructions. Avoid using near or under any overhanging trees or shrubs.
- Do NOT wear flammable or loose clothing when operating this chiminea.
- Do NOT use in windy conditions.
- Keep all electrical cords away from a hot chiminea.
- Keep one metre away from inflammable objects when using the chiminea.
- All surfaces of this outdoor chiminea are hot when in operation. To avoid burns, do NOT touch any part of the chiminea until it has cooled completely. Wear protective gear (i.e. potholders, gloves, BBQ mittens, hot pads, etc.) to handle any parts.
- Storage area becomes hot during operation. Do not store anything other than wooden logs here. Do not overload storage area with wooden logs.
- Do NOT leave a lit outdoor chiminea unattended, especially around children and pets.
- Do NOT attempt to move or store this outdoor chiminea until it has cooled down
- Use heat resistant gloves or hot pads when touching any surfaces of the chiminea.
- Do NOT lean over this outdoor chiminea when lighting or while in use.
- This outdoor chiminea should be thoroughly inspected on a regular basis.
- After a period of storage and/or non-use, check for signs of damage. Do NOT operate until necessary repairs and/or clean-up are executed.
- Death, serious injury or property damage may occur if the above is not followed exactly in bold.

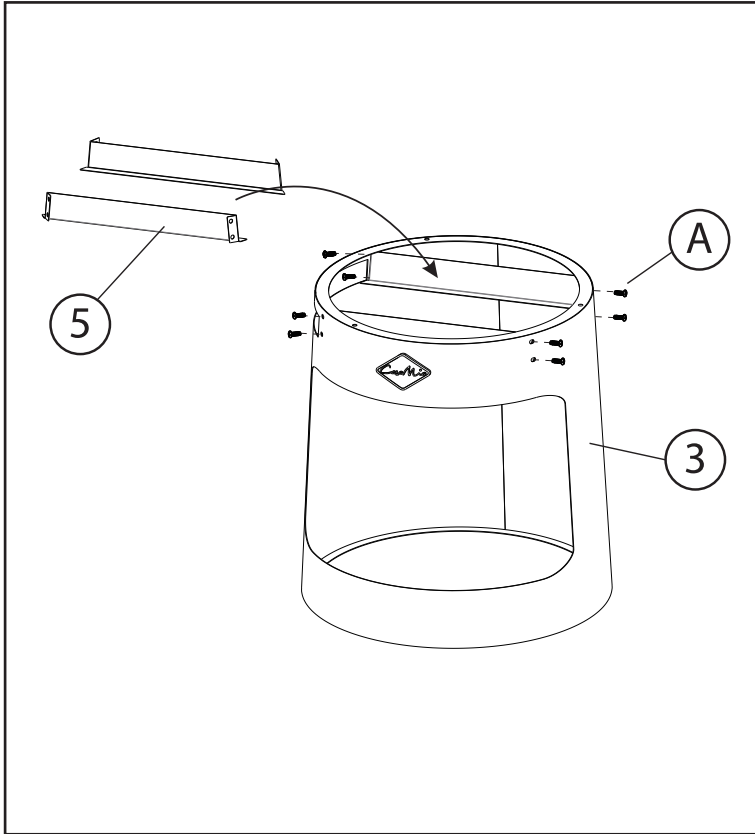
### CAUTION:

It is not recommended to use this chiminea on a wooden or other combustible surface or any surface that is not entirely resistant to high heat. However, if you intend to use this item on a wooden deck or other combustible surface, or any surface that is not entirely resistant to high heat, you MUST use a non-flammable and heat resistant material such as concrete pavers, brick, or stone between the chiminea and the surface.

# PARTS AND FIXINGS



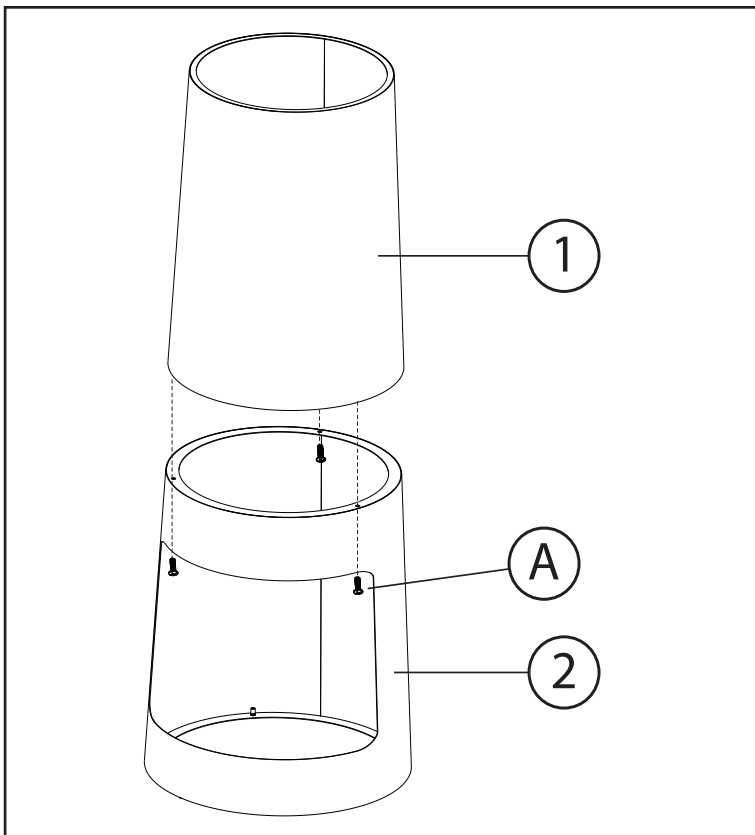
Part	Image	Description	QTY
A		M5 x 12 Bolt	14
B		M6 Nut	2
C		M6 x 12 Bolt	2
D		ø6 Washer	2



## STEP 1

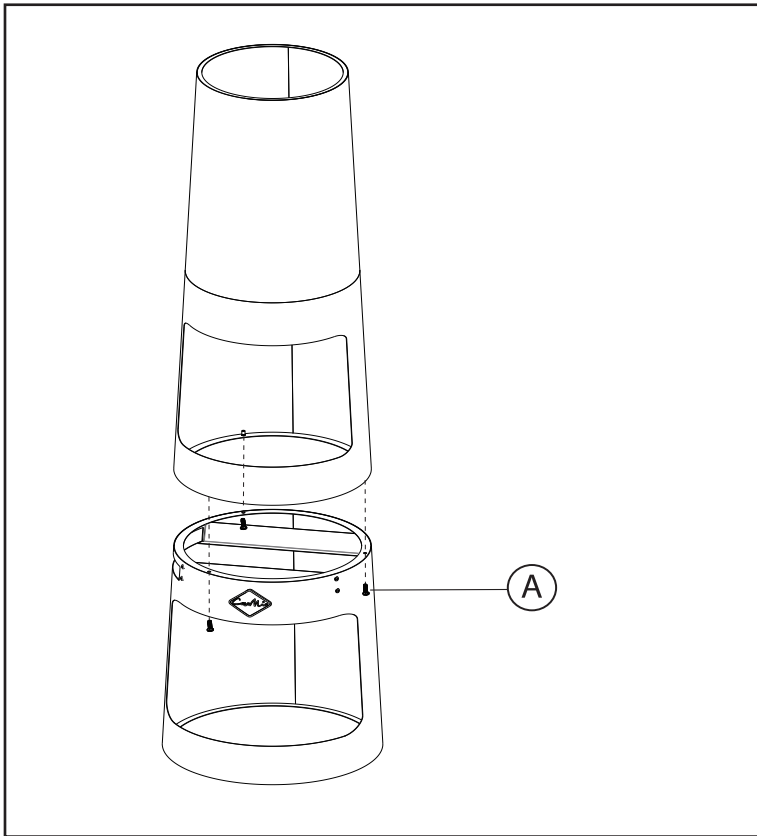
Insert 2 x Support Bar (Part 5) inside the Base section of the chiminea (Part 3)

Using 8 x Bolt A (M5 x 12) secure both support bars in place.



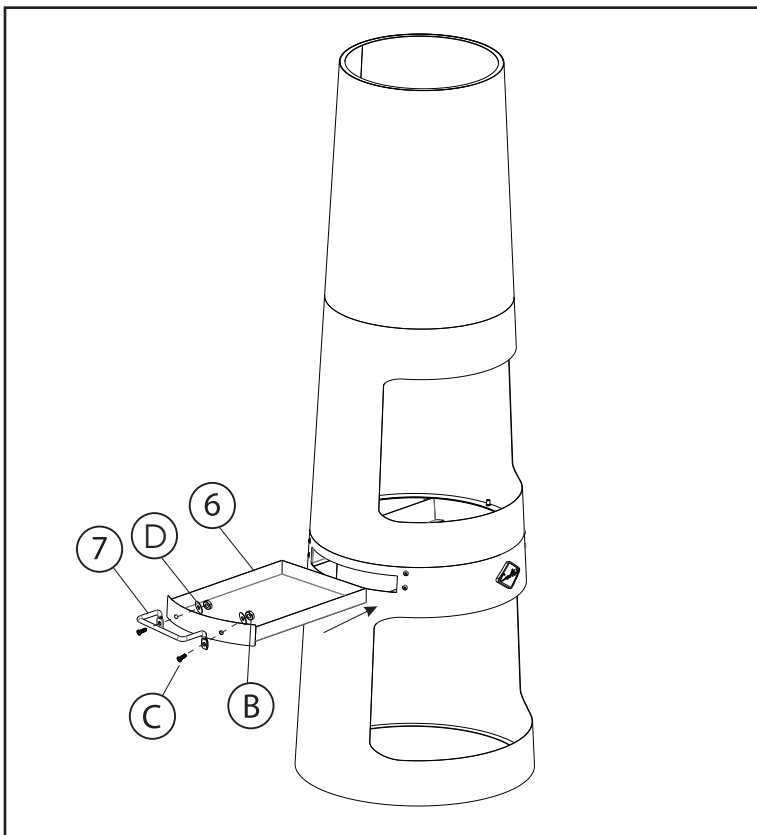
## STEP 2

Attach Top Section (Part 1) to the Firebox Section (Part 2) using 3 x Bolt A (M5 x 12).



### STEP 3

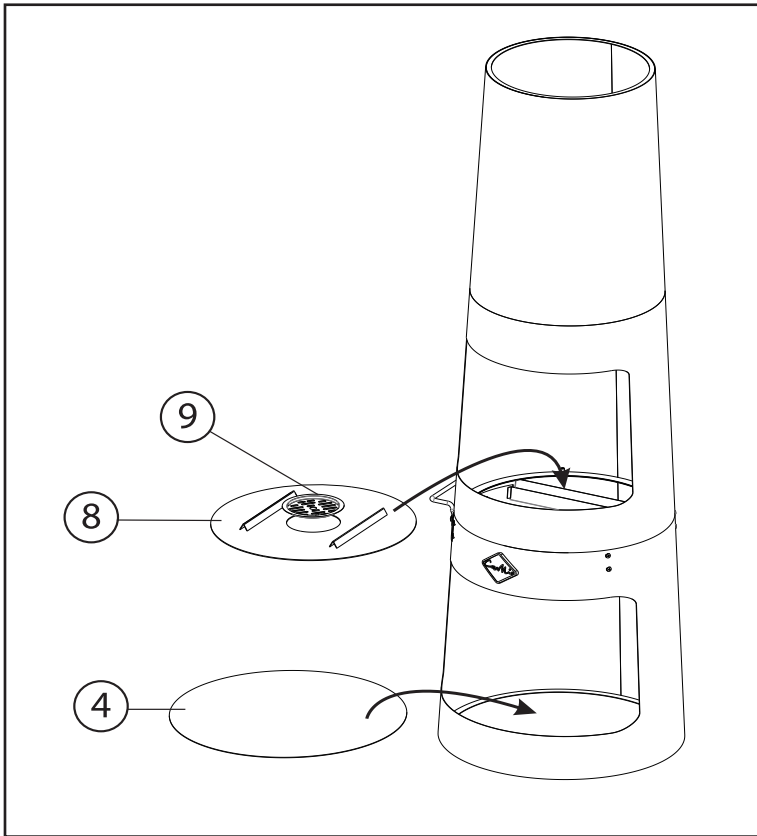
Attach assembled top section to assembled base section using 3 x Bolt A (M5 x 12).



### STEP 4

Attach Ash Tray Handle (Part 7) to Ash Tray (Part 6) using 2 x Bolt C (M6 x 12), 2 x Washer D and 2 x Nut B (M6 Nut).

Now insert the assembled ash tray into the base of the chiminea.



## STEP 5

Insert Base Panel (Part 4) into the base of the chiminea.

Insert Firebox Base (Part 8) into firebox. This should rest on the support bars installed in Step 1.

Now place Ash Vent (Part 9) into the circular cutout.

PLEASE ENSURE ALL FIXINGS ARE LEFT LOOSE DURING ASSEMBLY  
BUT ARE SECURELY TIGHTENED UPON COMPLETION

## General Warranty Conditions

The warranty applies to the original purchaser from the date of purchase and covers manufacturing faults and defects only. If an item should fail as a result of a manufacturing fault or defect under normal domestic use, the manufacturer at their discretion will repair, refinish or replace the failed item.

The manufacturer reserves the right to substitute failed items with a similar product should the model or colour no longer be available. Any replacement will be for the failed item only, not a complete set. The original warranty period is not extended in the event of a repair, refinish or replacements.

In the event of a failure, it is the customer's responsibility to return the item to the store of purchase along with a copy of the receipt. Casa Mia will confirm that the customer has registered their warranty. Warranty specifically excludes general wear and tear, rusting of steel components and parts, corrosion, commercial use and damage caused as a result of failure to observe reasonable care, maintenance and assembly instructions for both furniture and hardware.

This product comes with a standard 12-month warranty.

To register your warranty please visit [www.casamia.life](http://www.casamia.life) within 28 days of purchase.

**LEISUREGROW**  
HOME, GARDEN & PET FOR ALL SEASONS

Dewmead Farm  
New Inn Road  
Hinworth  
SG7 5HG  
[salesupport@leisuregrow.com](mailto:salesupport@leisuregrow.com)