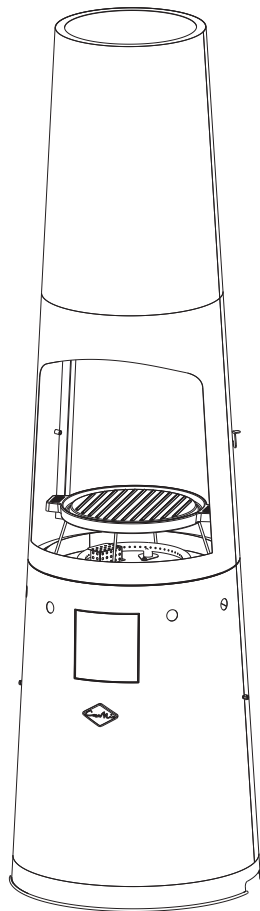


# Casa Mia

Alfresco Cooking & Heating

## ASSEMBLY AND CARE INSTRUCTIONS



### PRIMO GAS CHIMINEA

#### **WARNING! FOR YOUR SAFETY, FOR OUTDOOR USE ONLY**

Please read these instructions carefully and ensure that your Gas Chiminea is properly installed, assembled, maintained and serviced in accordance with these instructions. Failure to follow these instructions may result in serious injury and/or damage to property.

**This is an important document. Please retain for future reference. Please keep your receipt of purchase. Please note we are unable to process any warranty claim without proof of purchase.**

	<p><b>Carbon Monoxide Hazard</b> Using a Gas Chiminea inside can kill you, it gives off Carbon Monoxide, which has no odour. Never use a Gas Chiminea in enclosed spaces such as a tent, home/building, vehicle or garage.</p>
--	--

## **WARNING INFORMATION**

- Read this Operating Manual before use and keep for future reference.
- Failure to follow these instructions could result in fire or explosion which could cause personal injury, death or damage to property.
- This Gas Chiminea is only to be used outdoors.
- Never operate this Gas Chiminea unattended.
- Do not allow children to operate the Gas Chiminea.
- Accessible parts may be very hot, keep children away. Even after turning off, Gas Chiminea will remain hot.
- Do not move this Gas Chiminea during use.
- Ensure there is suitable clearance from flammable materials and other structures on all sides. Do not store or use petrol or other flammable vapours and liquids near the Gas Chiminea.
- Do not store empty or full spare gas cylinders under or near the Gas Chiminea.
- Keep the gas hose and any electrical cord away from hot surfaces.
- Avoid unnecessary twisting of the gas hose.
- Visually inspect hose prior to each use for cuts, cracks, excessive wear or other damage.
- The hose must be replaced if damaged and when National Conditions require it.
- Please do not use in windy conditions as flame efficiency may be affected.
- Any modification of this Gas Chiminea may be dangerous.
- Never alter or modify the regulator or gas supply assembly.
- When you have finished cooking, turn off the gas cylinder before you turn off the Gas Chiminea controls to ensure any gas in the pipeline is used up.
- Parts sealed by the manufacturer or their agent must not be manipulated by the user.
- Gas Chiminea specifications can be found on the data label attached to the Gas Chiminea.
- Use Gas Chiminea tools with heat proof handles or good quality insulated oven mitts when operating Gas Chiminea.
- In case of fire turn gas off at the cylinder, if safe to do so, and contact your local fire brigade.

## **LOCATION OF YOUR GAS CHIMINEA**

**IMPORTANT - GAS CHIMINEAS MUST BE INSTALLED IN ACCORDANCE WITH THE MANUFACTURER'S INSTALLATION INSTRUCTIONS, LOCAL GAS FITTING REGULATIONS AND MUNICIPAL BUILDING CODES.**

Think carefully when deciding on a location where you are to use your Gas Chiminea. The Gas Chiminea must not be installed under or on any combustible material and must be a level surface. Minimum clearance from any combustible materials on ALL sides is 45cm (18"). Minimum clearance from any combustible material from the TOP of the Gas Chiminea is 100cm (39").

- Not to be used in garages, porches, breezeways, sheds, or other enclosed areas.
- Not to be used on recreational vehicles.
- Do not obstruct flow of combustion and ventilation air around the Gas Chiminea.

## **CONNECTING THE GAS CYLINDER**

There are two different types of gas that can be used on your Gas Chiminea depending on where you live, that being either butane or propane gas. Both are supplied in gas cylinders. The connection between the gas cylinder and the Gas Chiminea is made with a regulator.

It is important that you use the correct regulator for the particular type of gas you purchase. See your local gas dealer for information on purchasing the correct regulator. Never operate this Gas Chiminea without a gas regulator.

## GAS SAFETY

- Always change over a gas cylinder away from any possible source of ignition in a well ventilated area.
- Do not smoke whilst handling gas cylinders.
- Never store gas cylinders indoors.
- Store away from direct heat in a well ventilated area.
- Always keep the gas cylinder in an upright position on a flat surface.
- Close cylinder valve when Gas Chiminea is not in use and, if available, use a sealing plug to prevent possible leaks.
- Do not subject gas cylinder to excessive heat.
- Do not tamper with any fitting attached to any gas cylinder. Have it taken to the manufacturer or an authorized testing station.
- When the cylinder runs out of gas, have it refilled or swapped at an authorized testing station. They will fill the cylinder to no more than 80% of its capacity. This allows the gas to expand with temperatures.
- Have the cylinder inspected EVERY 10 YEARS at an authorized testing station.



## TESTING FOR LEAKS

NOTE - DO NOT test for gas leaks with an open flame. If you smell gas, turn off at the source.

Before first use and periodically during the season, or whenever a gas cylinder is changed, you must check for gas leaks.

To perform a Gas Leak Check:

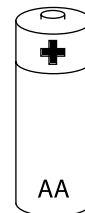
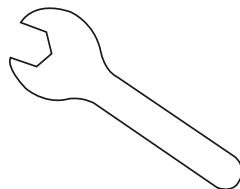
- Turn gas valve to the • off position.
- Connect hose to the gas cylinder using the supplied regulator and turn on the gas cylinder.
- Brush a soap solution of one part liquid detergent and one part water to all gas connections.
- The presence of bubbles indicates a leak. Tighten or repair as necessary.
- Under no circumstances should a naked flame be used to check for leaks.
- If a gas odour is present and no leaks can be found, do not use the Gas Chiminea. Turn the gas off at the cylinder, disconnect the hose and immediately contact your retailer for assistance.

 2531-22		 8504-22		<b>OUTDOOR GAS FIREPIT</b> <b>MODEL NO. A01-005</b>	
		Serial No.			
Heat Input (Hi)	11.7kW (G30:850g/h,G31:835 g/h) (Hs)				
Gas Cat.	<input type="checkbox"/> I3B/P(30)	<input checked="" type="checkbox"/> I3+(28~30/37)	<input type="checkbox"/> I3B/P(30)	<input type="checkbox"/> I3B/P(50)	
Type of Gas	Propane, butane and their mixtures	Butane/ Propane	Butane/ Propane	Propane, butane and their mixtures	
Gas pressure	(28~30)mbar	(28~30)37mbar	37mbar	50mbar	
Injector size	Φ1.67mm	Φ1.67mm	Φ1.57mm	Φ1.44mm	
Destination Countries	LU, NL, DK, FI, SE, CY, CZ, EE, LT, MT, SK, SI, BG, IS, NO, TR, HR, RO, IT, HU and LV	BE, FR, IT, LU, IE, GB, GR, PT, ES, CY, CZ, LT, SK, CH, SI and LV	PL	DE, AT, CH, LU, SK	
Pin code	2531DM-0090 / 8504DN-0011				
Manufacturer	LEISUREGROW PRODUCTS LTD.				
Address	Dewmead Farm, New Inn Road, Hinxworth, Herts, SG7 5HG				
Made in China					
Use Outdoors Only.					
Read the instructions before using the appliance.					
Warning: Accessible parts may be very hot. Keep young children away.					

## CARE INSTRUCTIONS

- For full operating instructions, as well as a detailed care and maintenance guide, please consult the Casa Mia User Manual included with your Gas Chiminea.
- To light Gas Chiminea first ensure it is connected to your gas supply and the gas is switched on at the regulator. Next push control knob in and anti-clockwise to the HIGH position, holding it in for 15 seconds and then releasing. If flame extinguishes please wait 5 minutes for gas to fully dissipate before attempting again.
- If using with the Griddle Accessory place Griddle in Chiminea before lighting. Before first use please light Gas Chiminea and turn control knob to the low position, leaving for 30 minutes to burn off any residue from the Griddle.
- We recommend cleaning the exterior of this product periodically with warm, soapy water and a cloth or non-abrasive brush. Do not use harsh or abrasive chemicals.
- To keep your product looking its best, we would always recommend covering with a Casa Mia cover when not being used for longer periods. Do not cover when product is still warm. Do not cover when product is still damp. Throughout the winter months either bring indoors or cover as above. Failure to do so may invalidate your warranty

## REQUIRED TOOLS




1 x AA Battery  
(not supplied)

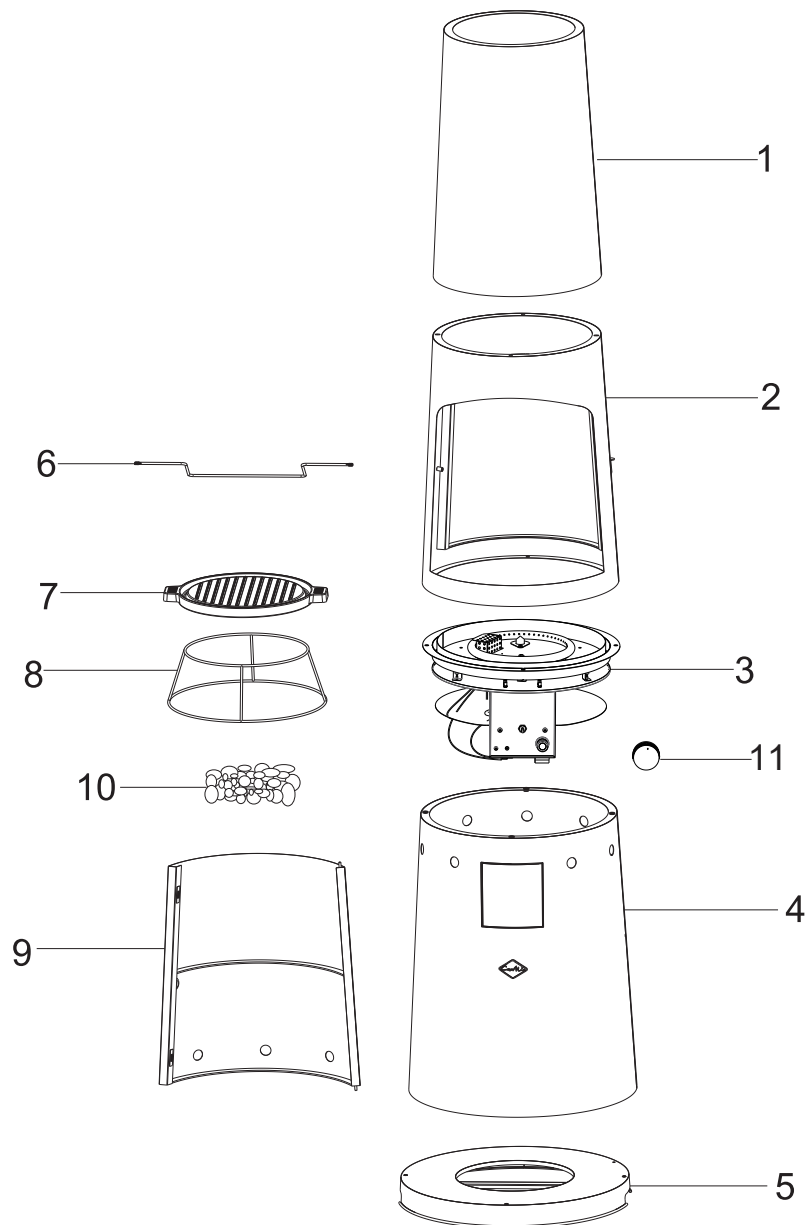
You will find a pack within this box tied to a red ribbon which contains the fittings.

**WARNING** - the fittings pack contains **SMALL ITEMS** which are a potential choking hazard and should be kept away from children at all times.

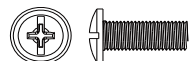

## ASSEMBLY REQUIREMENTS

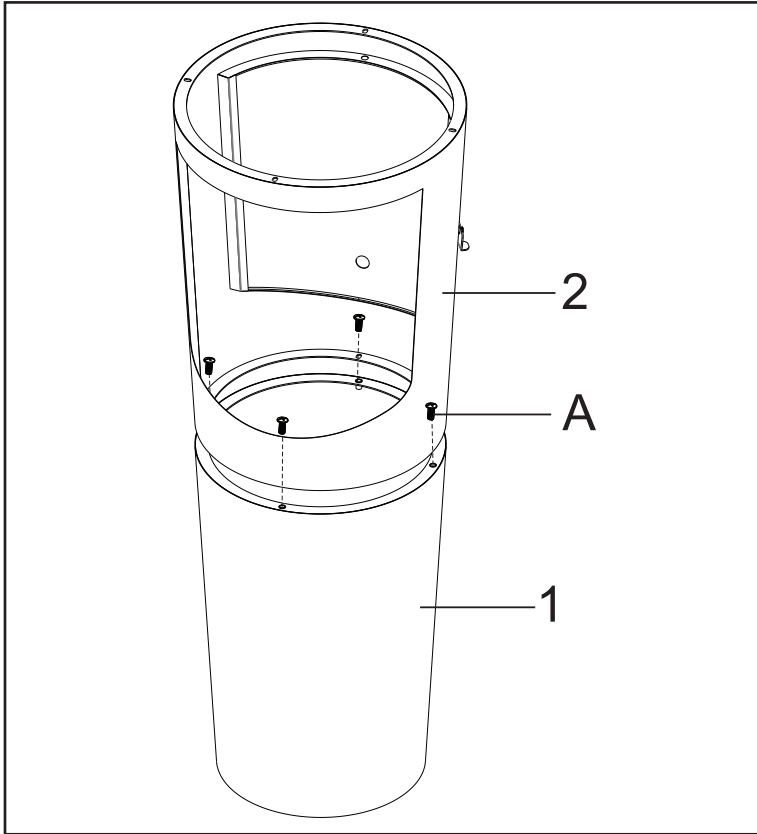
No. of people required to assemble	
Approximate assembly time	30 minutes

## PARTS AND FIXINGS



Part	Description	QTY	Part	Description	QTY
1	Chimney	1	2	Firebox	1
3	Gas Assembly	1	4	Cabinet	1
5	Base	1	6	Gas Bottle Bracket	1
7	Circular Cooking Griddle	1	8	Griddle Stand	1
9	Cabinet Door	1	10	Decorative Lava Rock	3.2kg
11	Control Knob	1			

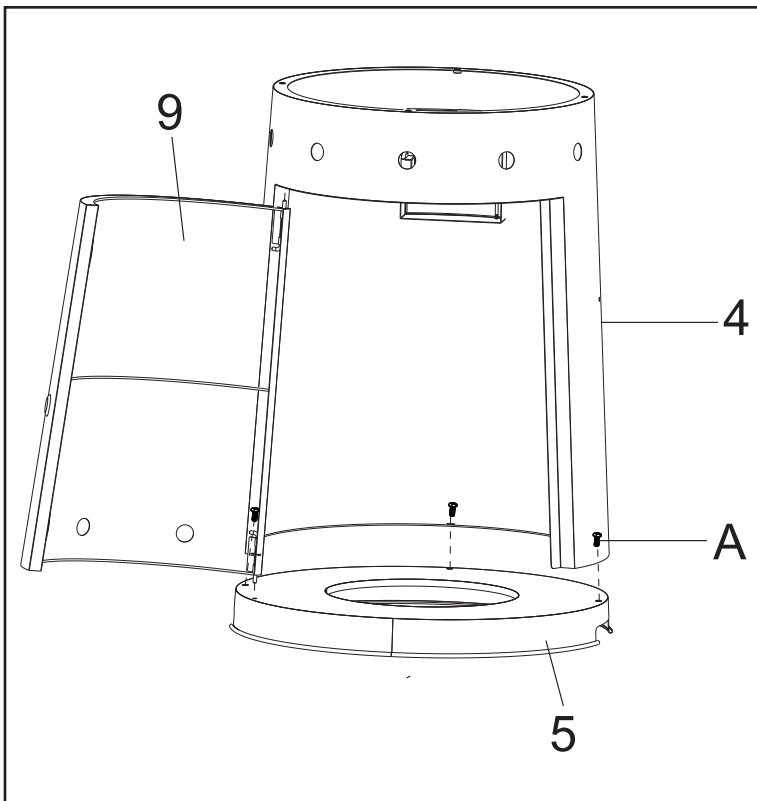
Part	Image	Description	QTY	Part	Image	Description	QTY
A		M6 x 12 Bolt	11	B		M6 Nut	2



## STEP 1

Place Chimney (1) upside down. Now also rotate Firebox (2) upside down and place it on to the Chimney (3) ensuring the holes align on both items.

Attach together using M6 x 12 Bolts (A).

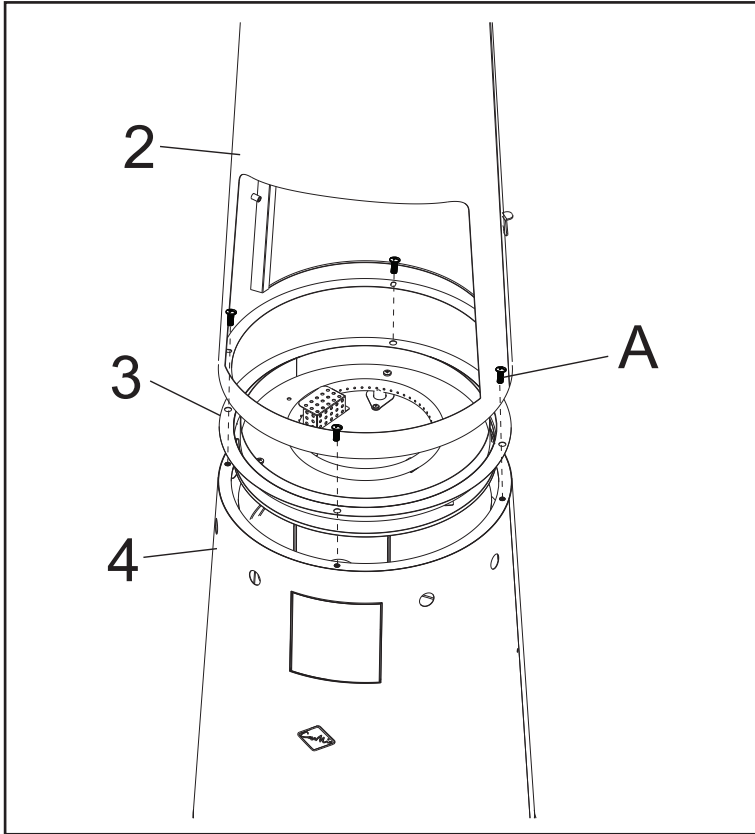


## STEP 2

Position Cabinet (4) on top of Base (5) and attach together using M6 x 12 Bolts (A).

Insert spring bolt mounted on bottom left corner of Cabinet Door (9) into the hole indicated in Base (5).

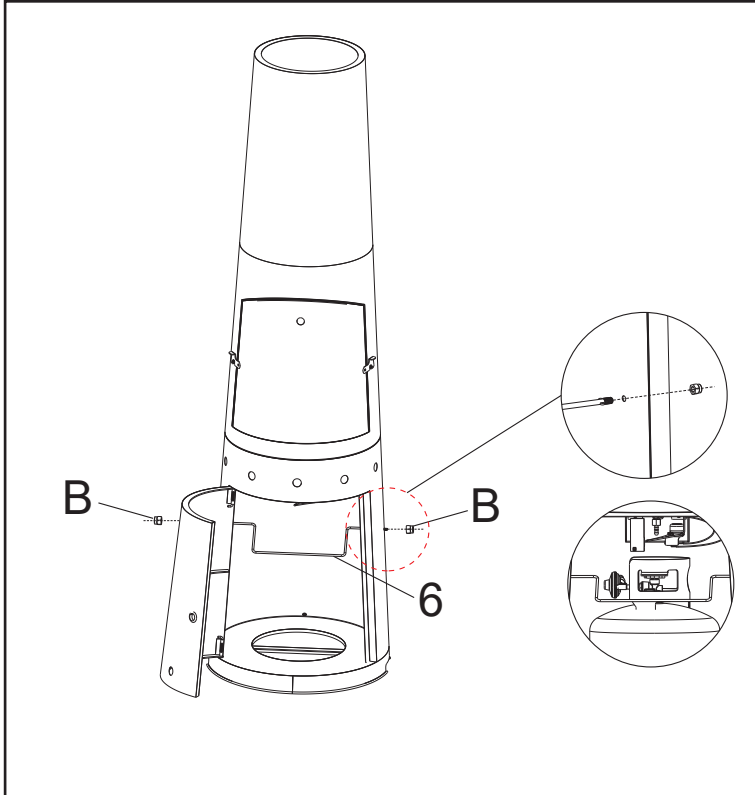
Pull down on the spring bolt mounted on top left corner of Cabinet Door (9) and slide through hole mounted in Cabinet (4). Release spring bolt to keep Cabinet Door (9) in place.



### STEP 3

Place Gas Assembly (3) on top of Cabinet (4), ensuring holes line up and control panel is positioned behind the control panel door of Cabinet.

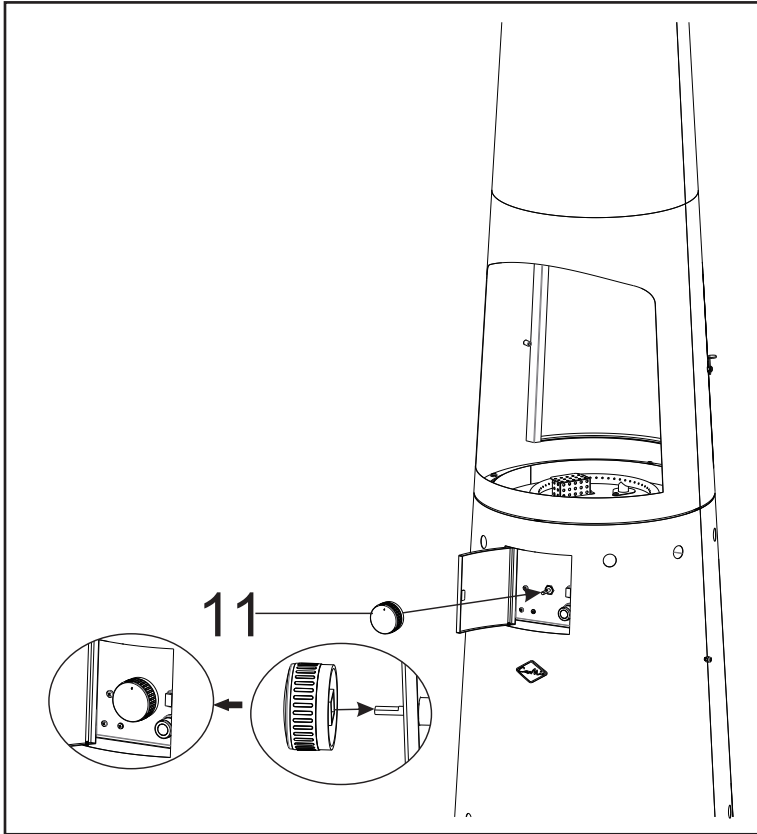
Place Firebox (2) on top of Gas Assembly (3) and secure in place using M6 x 12 Bolts (A).



### STEP 4

Insert Gas Bottle Bracket (6) from inside the cabinet, threading it through the holes located on either side.

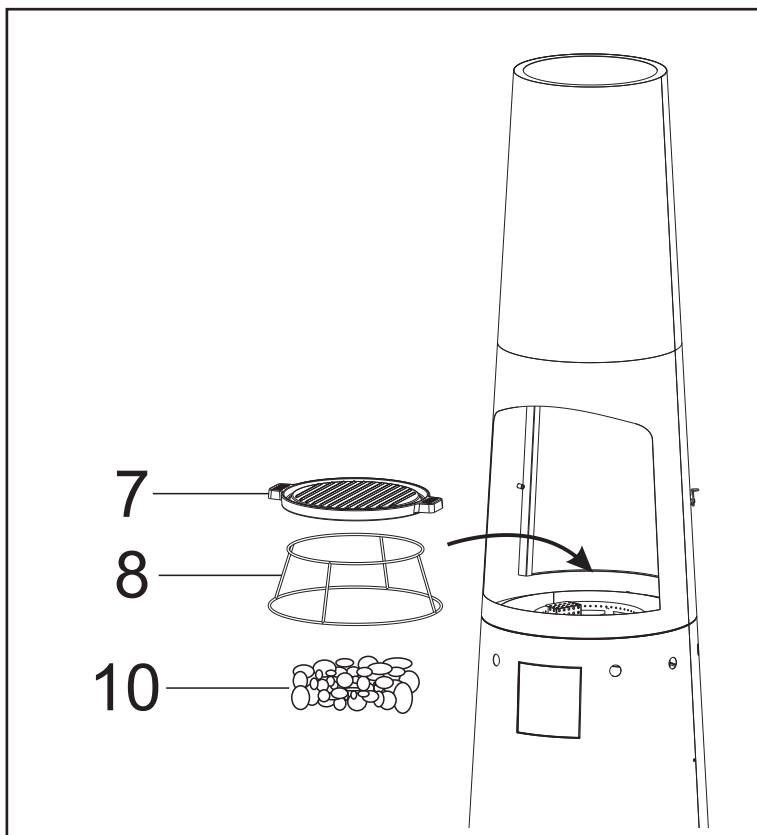
Secure in place using M6 Nuts (B).



## STEP 5

Open control panel door and push Control Knob (11) on to spindle indicated.

Now unscrew ignition button and insert 1 x AA battery noting correct polarity. Replace ignition button.



## STEP 6

Add in the Decorative Lava Rock (10) around the gas burner ensuring the ignition unit is not completely covered.

If using your Gas Chiminea with the Cooking Griddle and Stand (7 & 8) place the Stand (8) into the firebox and then place the Griddle (7) on top.

Please ensure you do this before lighting the Chiminea.

For full usage instructions please consult the User Manual included with your Chiminea.

PLEASE ENSURE ALL FIXINGS ARE LEFT LOOSE DURING ASSEMBLY  
BUT ARE SECURELY TIGHTENED UPON COMPLETION



## TESTING YOUR CHIMINEA

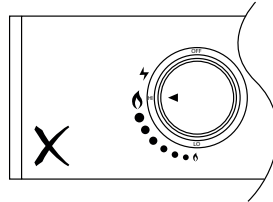
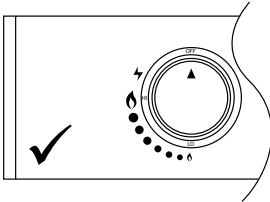
### TESTING FOR LEAKS - DO THIS BEFORE USING YOUR CHIMINEA

Note - do not test for gas leaks with an open flame. If you smell gas, turn off at the source.

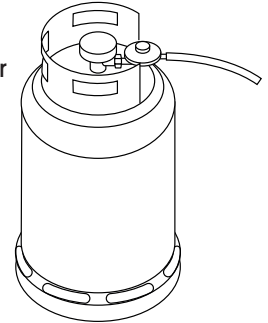
Before first use, at the beginning of each new season, or whenever a gas cylinder is changed, you must check for gas leaks.

Do so by:

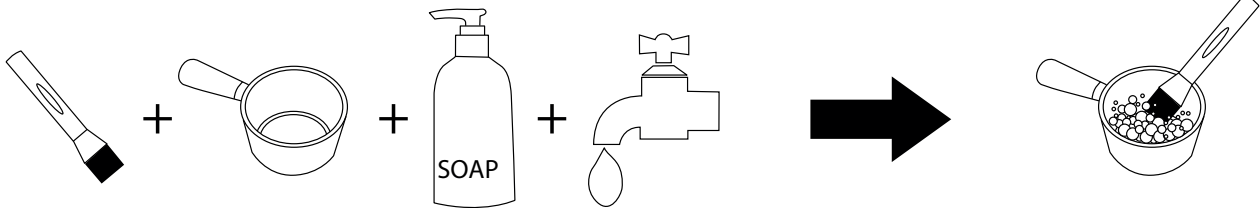
**1** Turn gas valve on the Chiminea to the off position



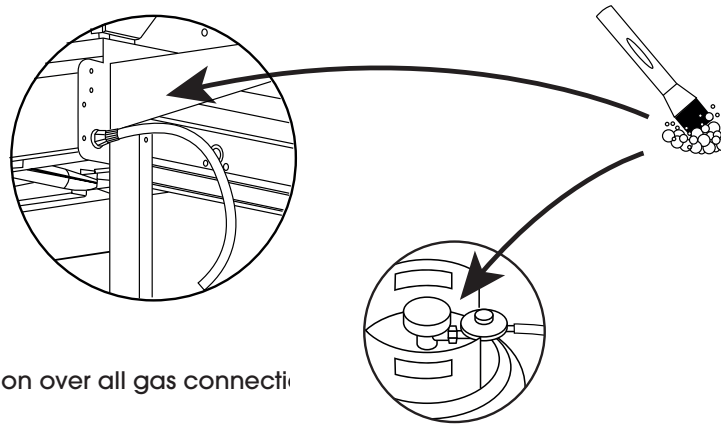
**2** Turn on the gas cylinder



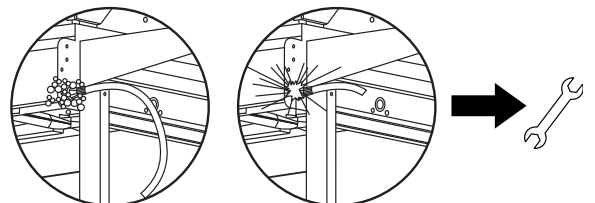
**3** Make a soap solution of one part liquid detergent and one part water



**4** Brush the soap solution over all gas connecti



- 5**
- The presence of bubbles indicates a leak. Tighten or repair as necessary.
  - Under no circumstances should a naked flame be used to check for leaks.
  - If a gas odour is present and no leaks can be found, do not use the Chiminea. Turn the gas off at the source, disconnect the hose and immediately contact your Chiminea dealer or place of purchase for assistance.



# General Warranty Conditions

The warranty applies to the original purchaser from the date of purchase and covers manufacturing faults and defects only. If an item should fail as a result of a manufacturing fault or defect under normal domestic use, the manufacturer at their discretion will repair, refinish or replace the failed item.

The manufacturer reserves the right to substitute failed items with a similar product should the model or colour no longer be available. Any replacement will be for the failed item only, not a complete set. The original warranty period is not extended in the event of a repair, refinish or replacements.

In the event of a failure, it is the customer's responsibility to return the item to the store of purchase along with a copy of the receipt. Casa Mia will confirm that the customer has registered their warranty. Warranty specifically excludes general wear and tear, rusting of steel components and parts, corrosion, commercial use and damage caused as a result of failure to observe reasonable care, maintenance and assembly instructions for both furniture and hardware.

## **This product comes with a Limited Warranty which covers the following:**

- 3 Year Limited Warranty - Burner Assembly - which excludes damage to the finish caused by corrosion, scratching, pitting, fading or oxidisation.

For all other components not covered by the above a standard 12-month warranty will apply.

To register your warranty please visit [www.casamia.life](http://www.casamia.life) within 28 days of purchase.

**LEISUREGROW**  
HOME, GARDEN & PET FOR ALL SEASONS

Dewmead Farm  
New Inn Road  
Hinxworth  
SG7 5HG  
[salesupport@leisuregrow.com](mailto:salesupport@leisuregrow.com)