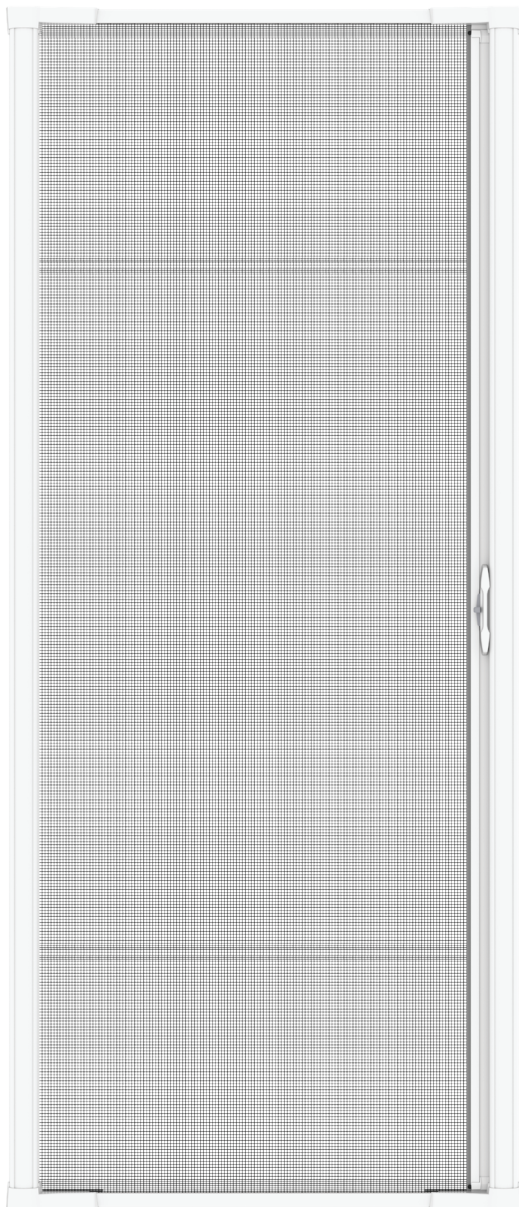


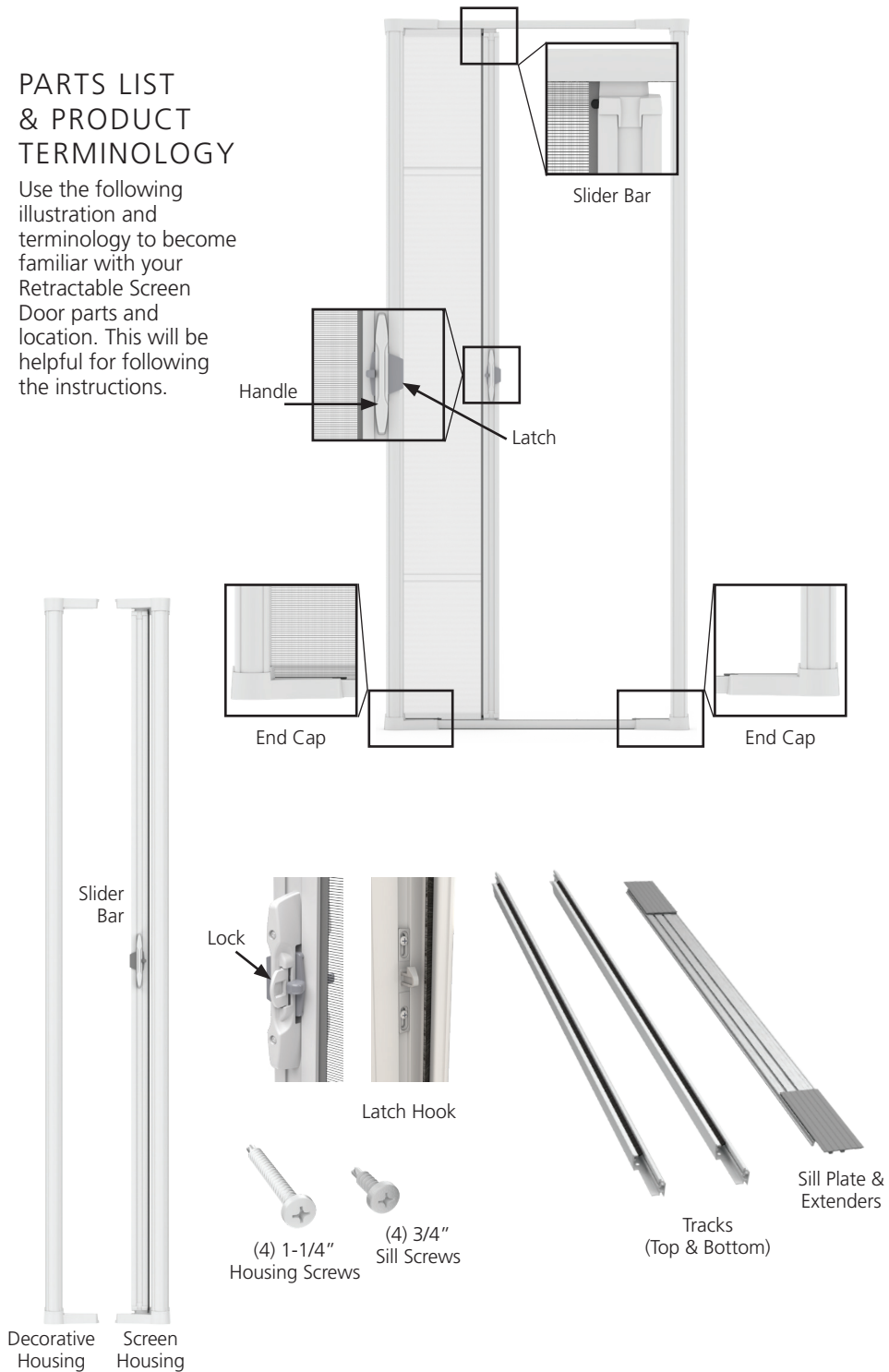
Retractable Screen Door

Replacing Top/Bottom Tracks and Sill Plate



PARTS LIST & PRODUCT TERMINOLOGY

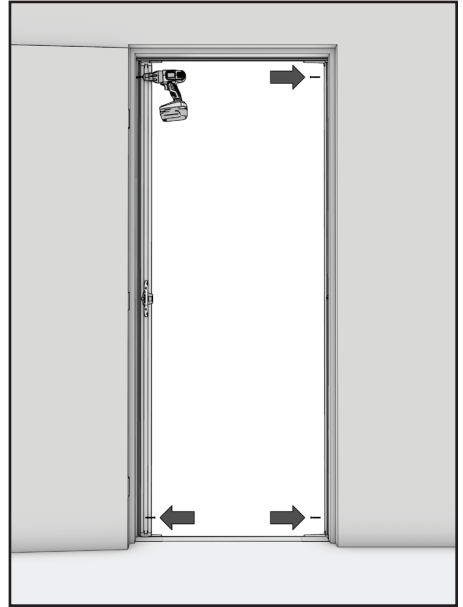
Use the following illustration and terminology to become familiar with your Retractable Screen Door parts and location. This will be helpful for following the instructions.



STEP 1: REMOVE SCREEN FROM HOME

a. Remove unit from door frame by removing four housing flange screws and four sill screws. To prevent the retractable screen from falling, leave one of the top screws in place until you are ready to remove the unit.

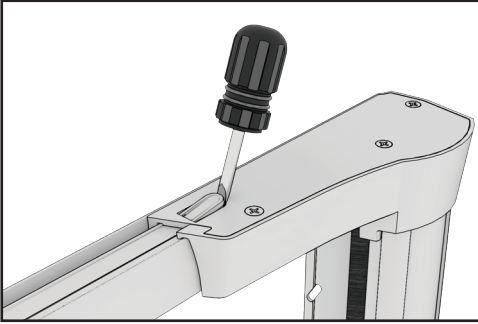
Note: Retractable screens for sliding patio doors will have an attachment bracket on the bottom track that will also need to be removed.



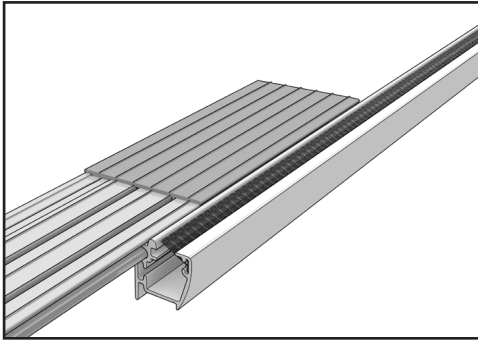
b. Remove screen assembly from home and lay on flat surface.



STEP 2: DISCONNECT TRACKS AND SILL



a. Disconnect top and/or bottom tracks from screen housing end caps by inserting a flat screw driver under U-shaped tab then pull track out.



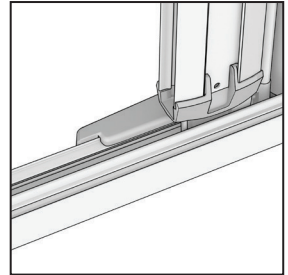
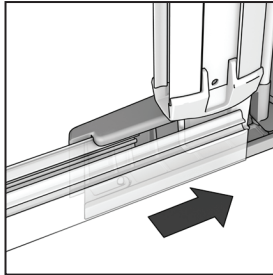
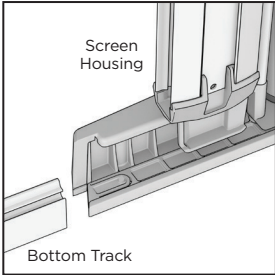
b. Remove sill plate from bottom track (if needed)

STEP 3: ASSEMBLE COMPONENTS

a. Connect Top and Bottom Tracks to Screen Housing

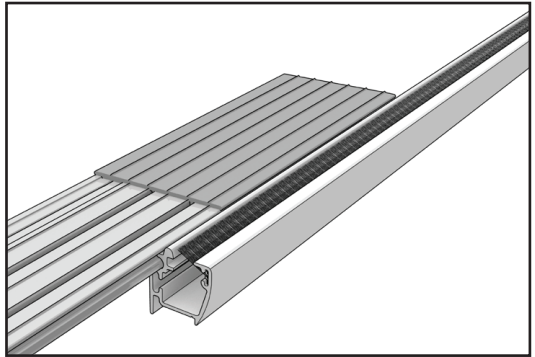
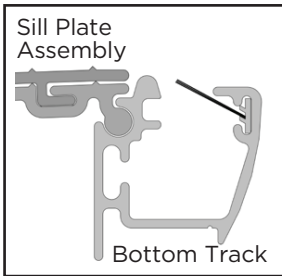
Place housings face down on a soft surface to protect the finish during assembly. Insert one end of each track into the screen housing.

Make sure the screen threads through the tracks.



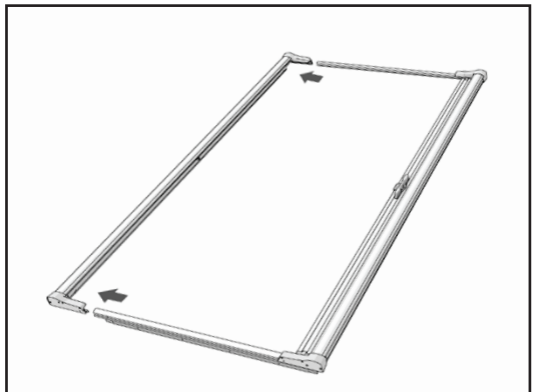
b. Attach Sill Plate

Slide sill plate assembly onto bottom track. **CAUTION:** Do not deploy screen until it is assembled to doorway.



c. Connect Decorative Housing to Top and Bottom Tracks

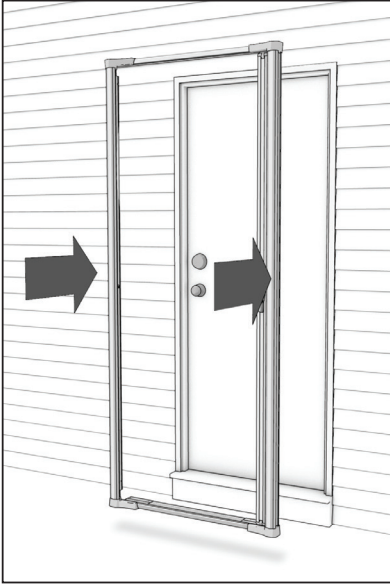
Insert the flat ends of the top and bottom tracks into the decorative housing.



STEP 4: INSTALL RETRACTABLE SCREEN

a. Push decorative housing and screen housing together so the width of the screen frame is at its narrowest.

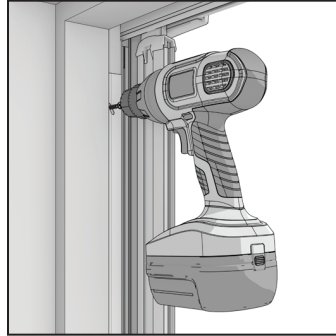
Place screen assembly onto door sill.



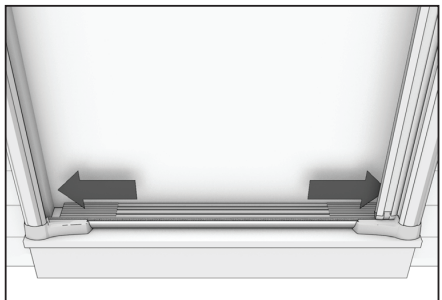
b. Extend housing to left and right evenly until both flanges are snug to the edges of the door jamb.



c. Secure screen to the opening by inserting a housing screw into the predrilled screw hole at the top of screen housing flange to hold frame in place. Do not tighten completely.

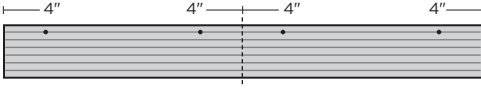


d. Center sill plate assembly on the door sill. Slide sill plate assembly extenders to each side to fill gaps.

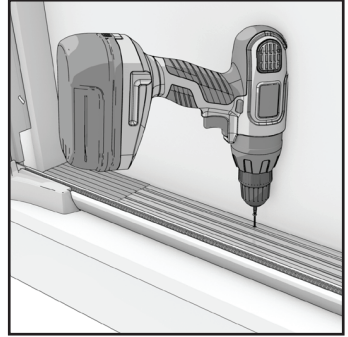


STEP 4: CONTINUED

e. Drive sill screws 4" from either end and 4" to the left and right of center.



NOTE: For a tailored fit around door moldings, notch each plastic sill plate extender using a utility knife. See page 8



f. Insert housing screws into all remaining pre-drilled holes on each vertical housing flange (2 total per side). Tighten all screws.

TIP: For a tailored fit around door moldings, notch each plastic sill plate extender using a utility knife.

