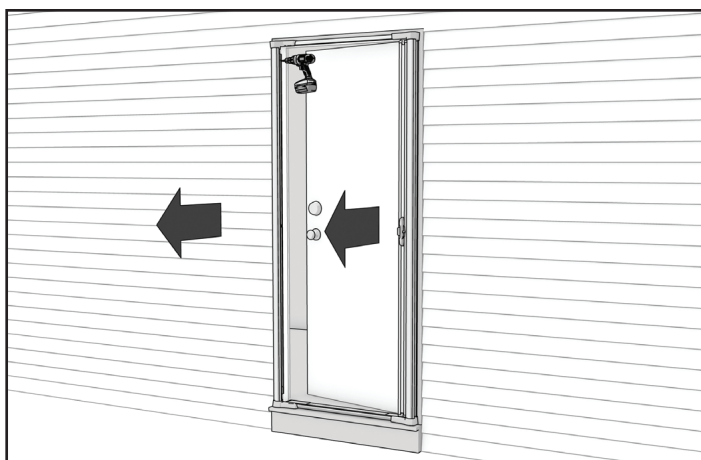


# Retractable Screen

## Screen Replacement Instructions

### Assembly process

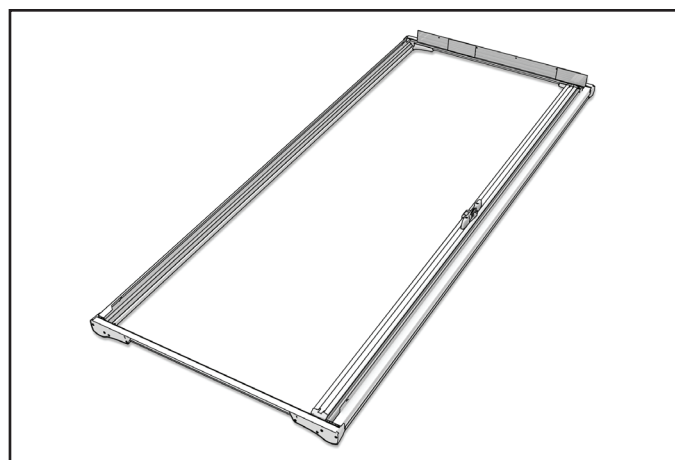
These instructions outline the step-by-step process to install a replacement screen for retractable screen doors. Before starting, review all instructions and become familiar with them.



#### Step 1

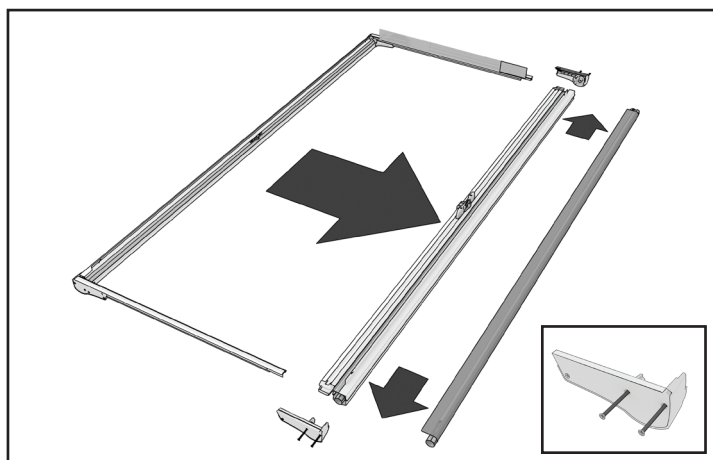
Remove unit from door frame by removing four housing flange screws and four sill screws. To prevent the retractable screen from falling, leave one of the top screws in place until you are ready to remove the unit.

**Note:** Retractable screens for sliding patio doors will have an attachment bracket on the bottom track that will also need to be removed.



#### Step 2

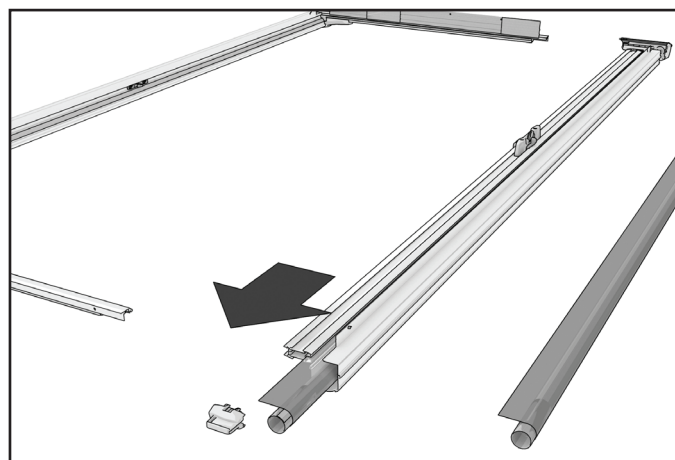
Lay the unit down flat on a clean surface.



#### Step 3

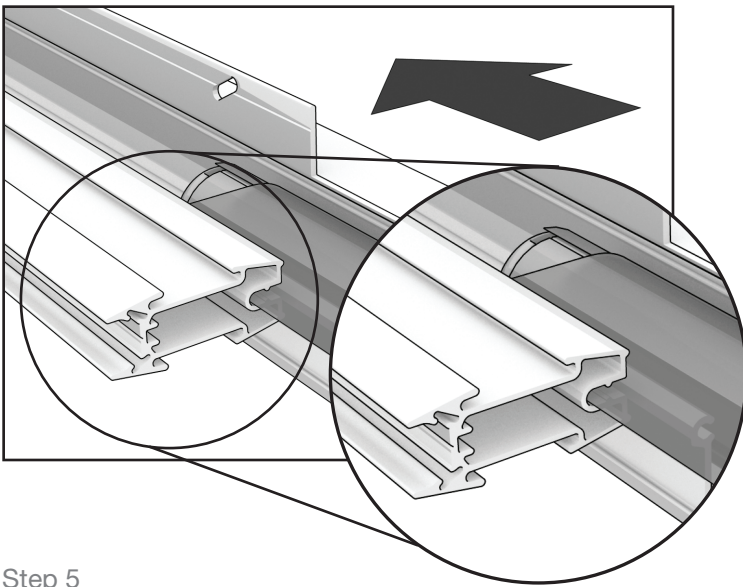
Using a flat screwdriver, lift the tab in the screen housing to release the tracks and remove the screen housing end caps (2 long outside screws only). Keep parts and new screen in same position after removal to ensure proper placement.

**Screen may make noise when tension is released.**



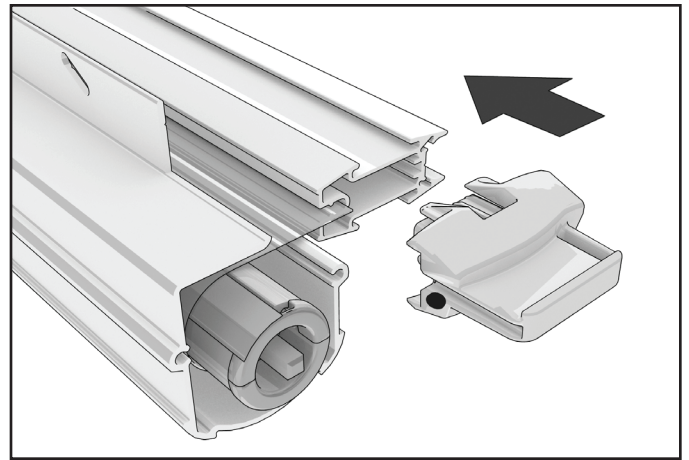
#### Step 4

Take off the slider bar end caps and remove the old screen from the housing unit. Some models may have a screw inserted into the slider bar end cap that will require removal.



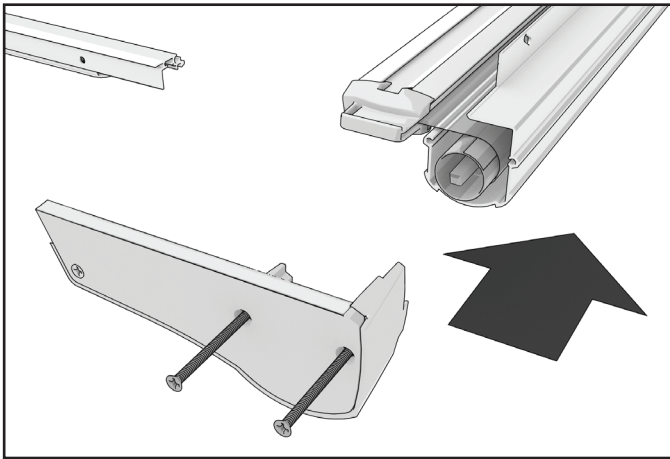
Step 5

Insert the new screen, making sure to thread the screen spline through the housing and slider bar channels. **Use caution when inserting so that the screen doesn't catch on metal edges.**



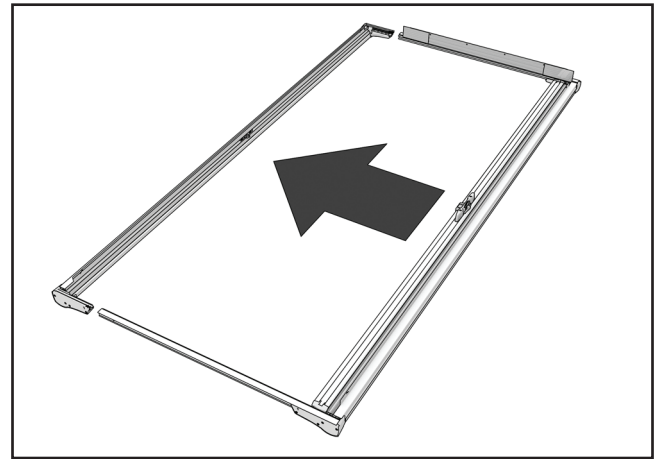
Step 6

Reattach the slider bar end caps. Re-insert the screw if one was removed. **TIP:** If tensioning is needed, please see Tensioning Instructions.



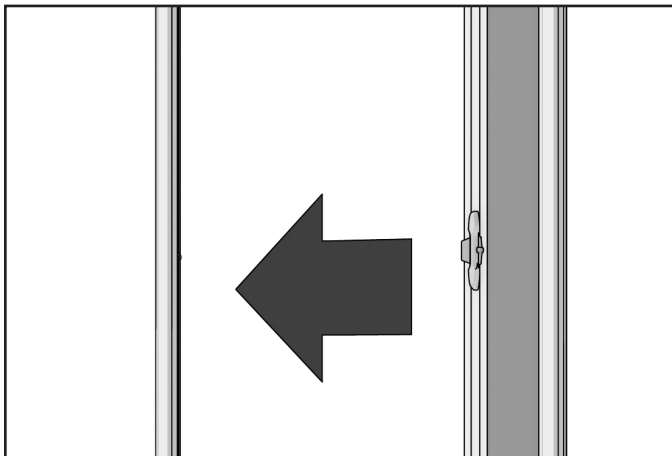
Step 7

Reattach both screen housing end caps starting with the side that has the black insert in the barrel. Then the spring side (yellow).



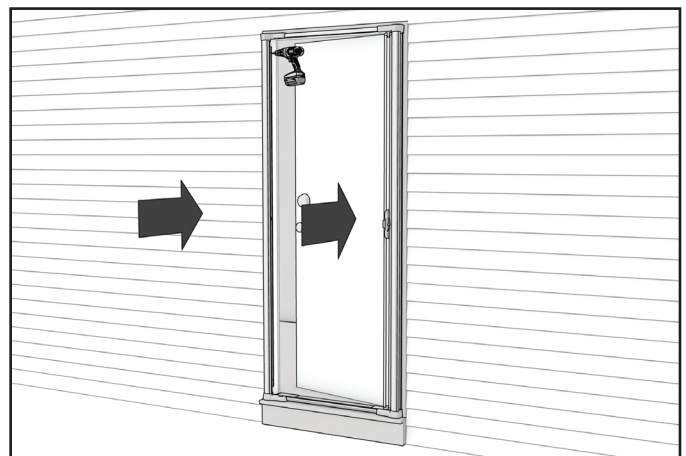
Step 8

Reattach the tracks and snap into place.



Step 9

Check to ensure that the screen is operating properly before installing onto the door frame. **You may hear a "pop" when the screen releases.**



Step 10

Place the unit onto the door frame and reinstall all the screws. Make sure the latch and latch hook are aligned properly and adjust as needed with a hand screwdriver.