



# HM-2925ZJ-TM01-BRACKET

## Tripod Mounting Bracket

24.17" Adjustable Friction Power Articulating Magic Arm and Super Clamp with 1/4" Thread for HIKMICRO Thermal Imaging Camera

Compatible with the following products:  
E/B/M/Pocket Series

### Key Features

- **Multi-device Compatibility:** Standard 1/4" screws are compatible with the HIKMICRO thermal cameras and many others
- **Reliable Durability:** Made of aluminum alloy, the magic arm is scratch-resistant and durable enough to support devices up to 1.5 kg (3.3 lb)
- **360° Rotation Free Adjustment:** Both the magic arm and the ball heads enable 360° rotation for various needed angles. Use the locking knob for fast and simple adjustment
- **Compact Design:** Weighing only 430 g (0.95 lb), this magic arm folds down to 34.5 cm (13.58"), making it easy to carry in a backpack for indoor and outdoor use
- **Anti-slip rubber pads:** Anti-slip rubber pads on the mounting plate prevent device scratches and increase stability

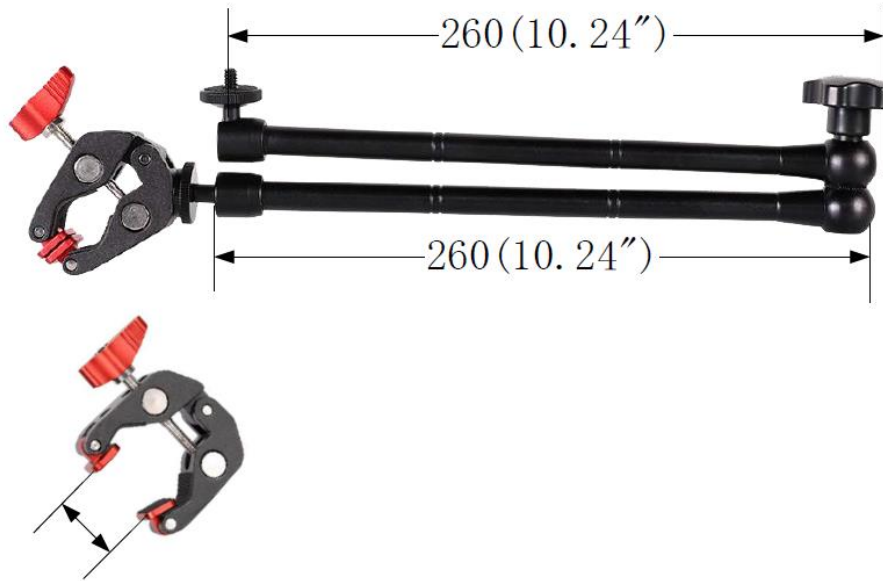
## Specification

GENERAL	
WEIGHT	430 g (0.95 lb)
MATERIAL	Aluminum Alloy
PACKING LIST	Super Clamp × 1 , Magic Arm × 1
PACKAGE SIZE	368 mm × 92 mm × 40 mm (14.48" × 3.62" × 1.57")
APPEARANCE	Black
MAGIC ARM	
MAX. LOAD CAPACITY	Max. 1.5 kg (3.30 lb)
LENGTH (MAX.)	590 mm (23.23")
LENGTH (MIN.)	345 mm (13.58")
ANGLE ADJUSTMENT	Horizontal 360°, vertical 360°
DEVICE MOUNTING HOLE	Round Base with Male 1/4"-20 Thread Steel Stud
SUPER CLAMP	
MAX. OPENING DIAMETER	74 mm (2.91")
THREAD HOLE	UNC 1/4"-20 Thread Hole

## Available Model

**HM-2925ZJ-TM01-BRACKET**

## Dimension



74 (2.91")

Unit: mm Inch)

COMPLIANCE NOTICE: The thermal series products might be subject to export controls in various countries or regions, including without limitation, the United States, European Union, United Kingdom and/or other member countries of the Wassenaar Arrangement. Please consult your professional legal or compliance expert or local government authorities for any necessary export license requirements if you intend to transfer, export, re-export the thermal series products between different countries.



 HIKMICRO Thermography  hikmicro\_thermography  HIKMICRO Thermography  HIKMICRO  info@hikmicrotech.com  <http://hikmicrotech.com/en>

room 313, unit B, building 2, 399 danfeng road, xixing subdistrict, binjiang district, hangzhou, zhejiang  
@hangzhou microimage software co., Ltd .2020 | data subject to change without notice!