

LOMM

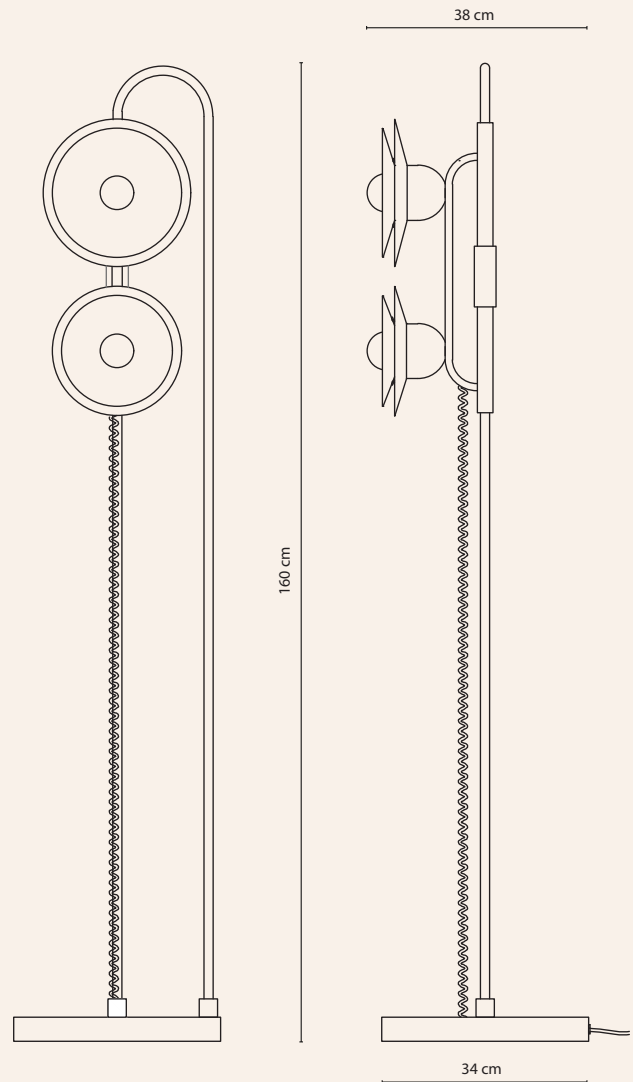
Lampadaire DUO

Odile Mir, 1971

Produced by LOMM Editions for the first time

Made in Pantin, France

MATERIALS	Chrome . Inox
MOUNTING	Floor
ENVIRONMENT	Indoor
WEIGHT	16,3 Kg
PARCEL WEIGHT	20 Kg
LIGHT BULBS	2xLED 4,5W E27 included
DIMMER	No
VOLTAGE	220V
SWITCHING	ON-OFF black button on white
INFO	Dual-purpose lamp featuring a sculptural chrome or inox plated arch, lighting part can be easily pulled up or down thanks to its handle



Product finishes

