



JSF4 ENGINE PARTS BOOK 2024

ISSUE 1.1

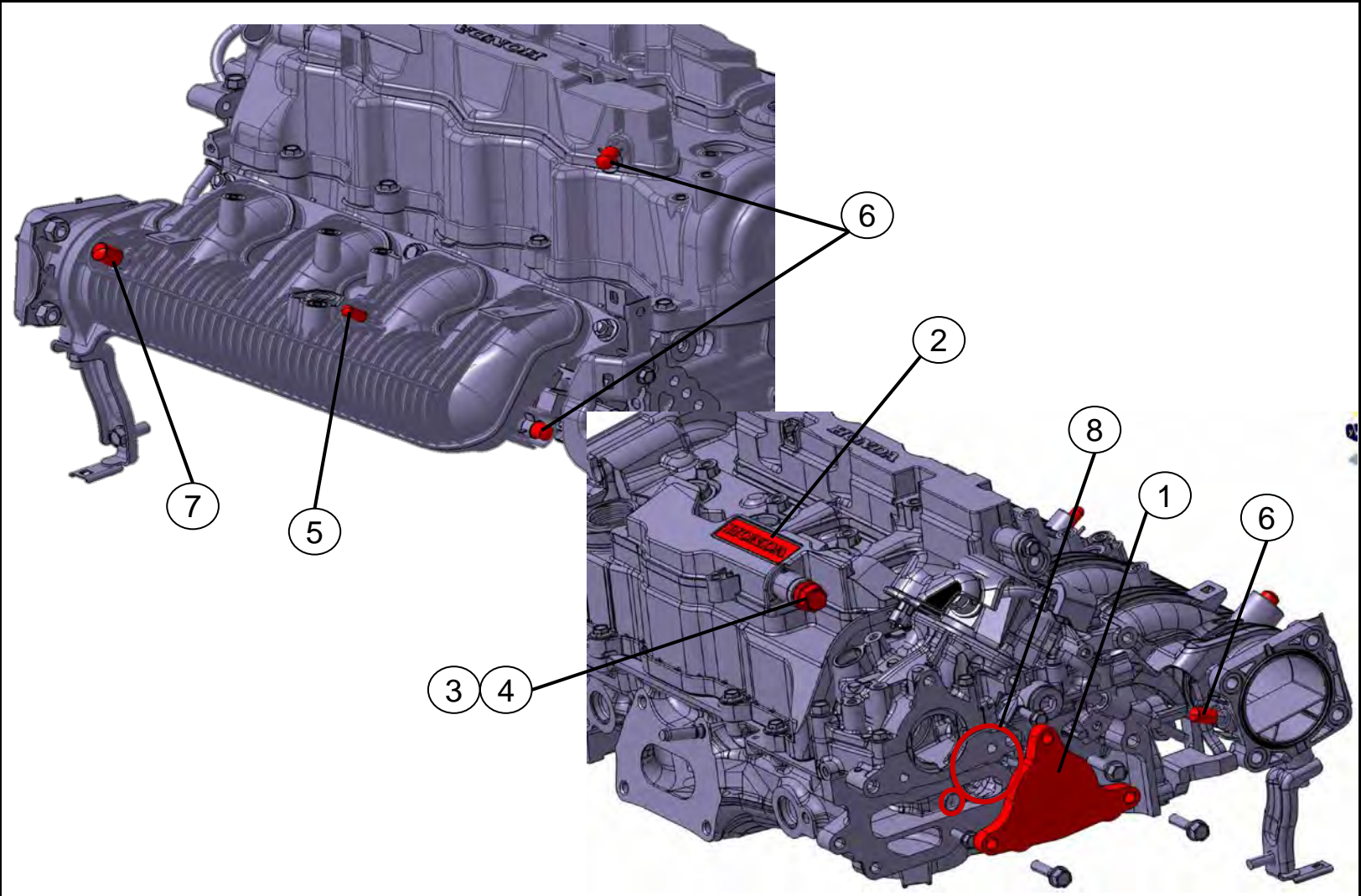
4/1/24

FOR PARTS ORDERING REFERENCE

Unless otherwise specified in this document or in another official document from SCCA or Mountune, all parts listed are considered FIA Type 1 parts, and must be purchased directly from Mountune, or from a parts supplier officially contracted by Mountune for service. Any other engine component not directly listed in this manual is also considered a Type 1 part. Any non-sealed fasteners may be replaced with another fastener of identical dimensions, grade, and material if damage occurred to the original part. Teams may be allowed to perform the repair or replacement work themselves on non-sealed components, if direct permission is granted by Mountune.

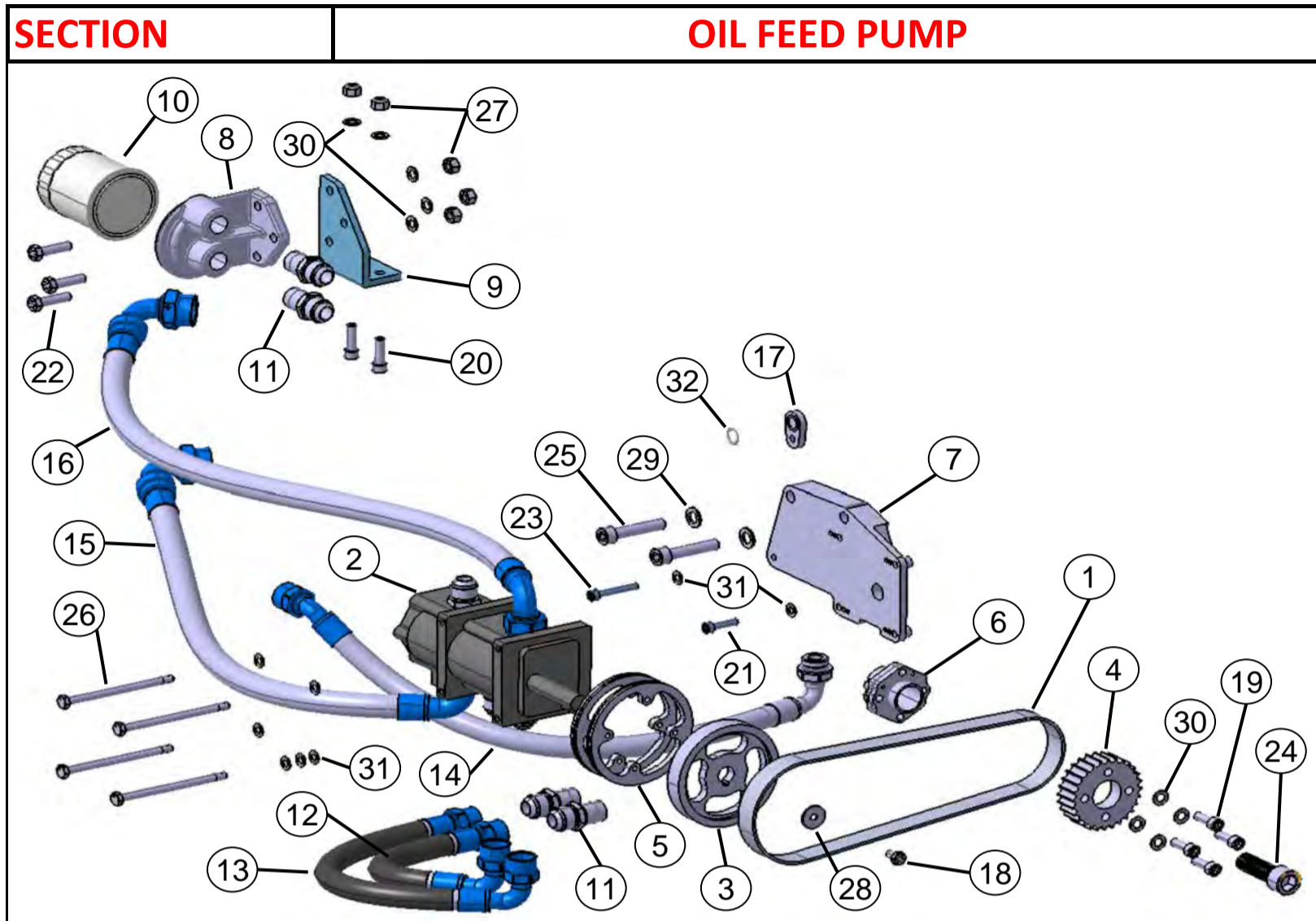
F4 PARTS LIST

SECTION	CYLINDER HEAD PLUGS
----------------	----------------------------



No.	Part No.	Name	QTY.	Notes
1	12275F29SA11	PLATE,VACUUM PUMP BLOCK OFF	1	
2	12351F29SA01	EMBLEM,CYLINDER HEAD COVER	1	
3	17139F29SA00	ORIFICE,BREATHER F4	1	
4	17429FC4YA000	VENT,1/4 NPT MALE BREATHER	1	
5	17224FC4YA000B2	CAP,VACUUM (3/16")	1	
6	17224FC4YA000B3	CAP,VACUUM (5/16")	3	
7	17224FC4YA000B4	CAP,VACUUM (3/8")	1	
8	91305RPYG010M1	PKG,VACUUM PUMP HOLDER	1	

F4 PARTS LIST

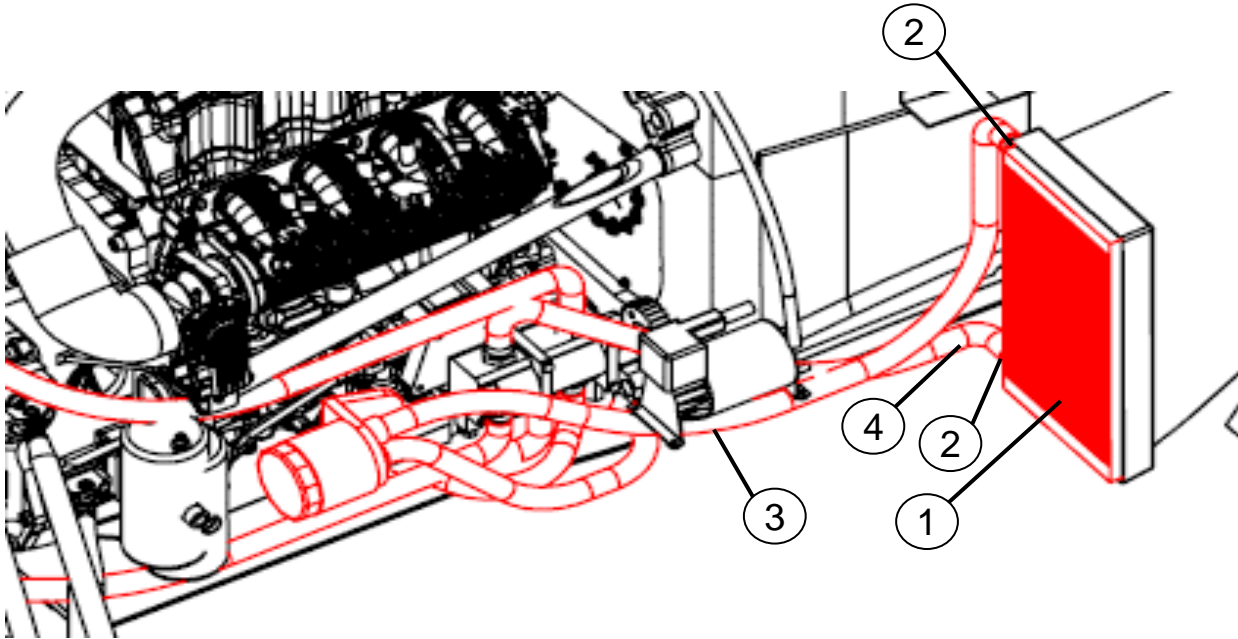


No.	Part No.	Name	QTY.	Notes
1	15061FC4YA000	BELT,OIL PUMP	1	
2	15100F29SA000	PUMP ASSY,OIL	1	
3	15102FC4YA000	PULLEY,OIL PUMP	1	
4	15103F29SA001	PULLEY,OIL PUMP DRIVE	1	
5	15104FC4YA000	BELT GUIDE,PUMP PULLEY	1	
6	15105F29SA100	ADAPTER,OIL PUMP DRIVE	1	
7	15110F29SA000	BRKT COMP,OIL PUMP	1	
8	15311FC4YA000	ADAPTER,REMOTE OIL FILTER	1	
9	15312F29SA001	BRACKET,OIL FILTER ADAPTER	1	
10	15400FC4YA000	OIL FILTER CARTRIDGE	1	
11	15401FC4YA000	ADAPTER,1/2NPT TO -10	4	
12	15402F29SA002	HOSE COMP,SCAVENGE 1	1	
13	15403F29SA002	HOSE COMP,SCAVENGE 2	1	
14	15404F29SA010	HOSE COMP,OIL FILTER TO BLOCK	1	
15	15406F29SA010	HOSE COMP,OIL TANK TO PUMP	1	
16	15407F29SA001	HOSE COMP,OIL PUMP TO TANK	1	
17	15530F29SA000	PLATE,TURBO OIL FEED BLOCK OFF	1	
18	90113FC4YH700	BOLT,HEX 1/4-28X0.5	1	
19	90123FC4YB800	BOLT,BUTTON HEAD 5/16-24X0.875	4	
20	90125FC4YM200	BOLT,SOCKET HEAD CAP 5/16IN-24	2	
21	90125FC4YM600	BOLT,SOCKET M6X25	1	
22	90132FC4YH800	BOLT,HEX 5/16-24X1.25	3	
23	90140FC4YM600	BOLT,SOCKET M6X40	1	
24	90150FC4YA000	BOLT,SOCKET M16X1.5-50	1	
25	90150FC4YM100	BOLT,SOCKET M10X1.25-50	2	
26	90199FC4YC000	BOLT,NAS1304-60 1/4-28X4.175	4	
27	90206FC4YD000	NUT,NYLOC 5/16-24	5	
28	90404FC4YD000	WASHER,(0.265"X0.875"X0.064")	1	
29	90415FC4YA000	WASHER,7/16 (NAS1149)	2	
30	90415FC4YA200	WASHER,5/16 (NAS1149)	9	
31	91004F1B X800	WASHER, AN960-416L	8	
32	91382FC4YA000	O-RING,12.42X1.78 VITON	1	

F4 PARTS LIST

SECTION

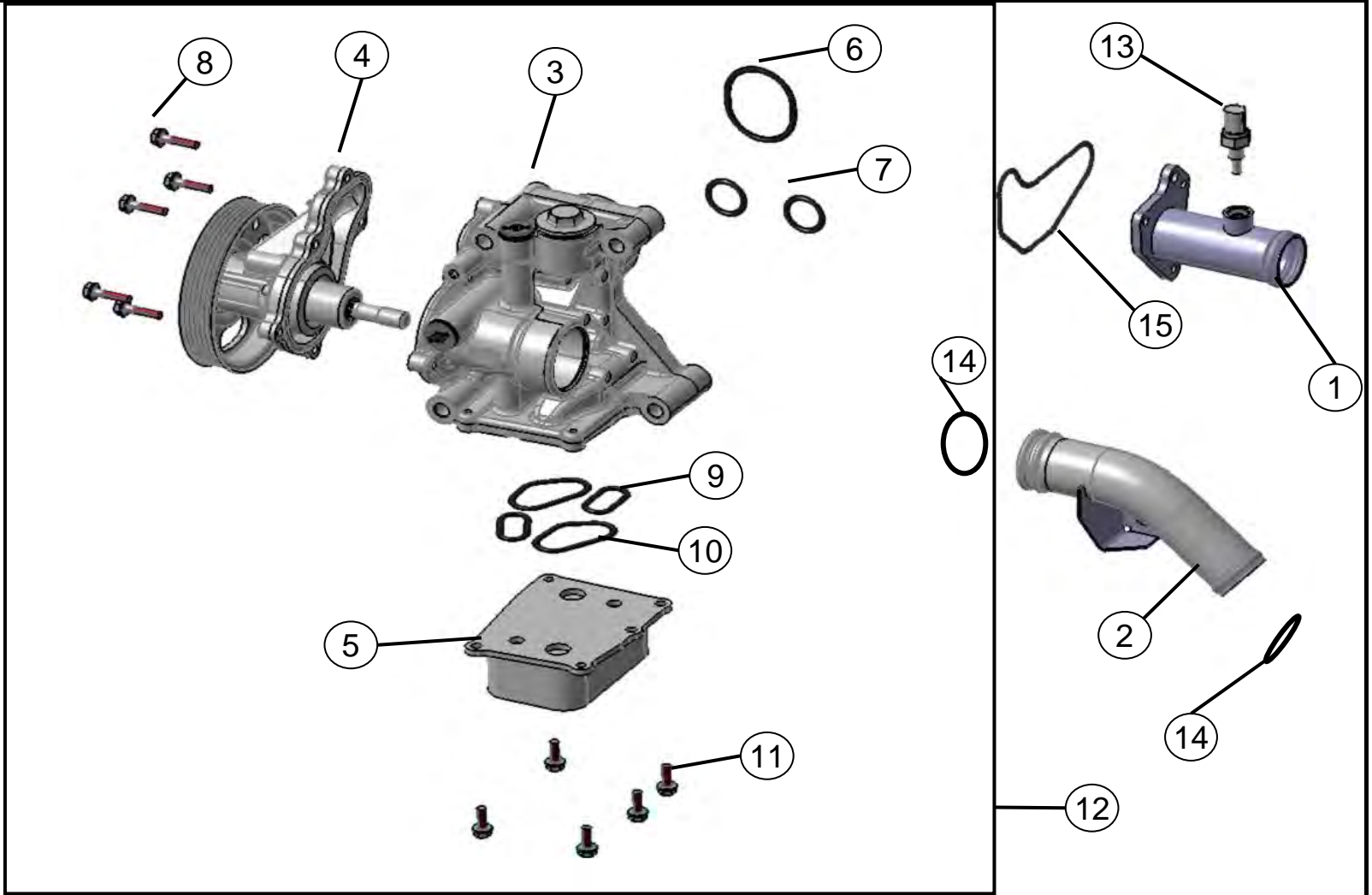
OIL COOLER



No.	Part No.	Name	QTY.	Notes
1	15500FC4YB000	COOLER,ENGINE OIL	1	
2	15501FC4YA000	ADAPTER,AN10	2	
3	15511F29SA000	HOSE COMP,OIL COOLER TO FILTER	1	
4	15512F29SA000	HOSE COMP,OIL PUMP TO COOLER	1	

F4 PARTS LIST

SECTION F4 WATER PUMP AND PIPES

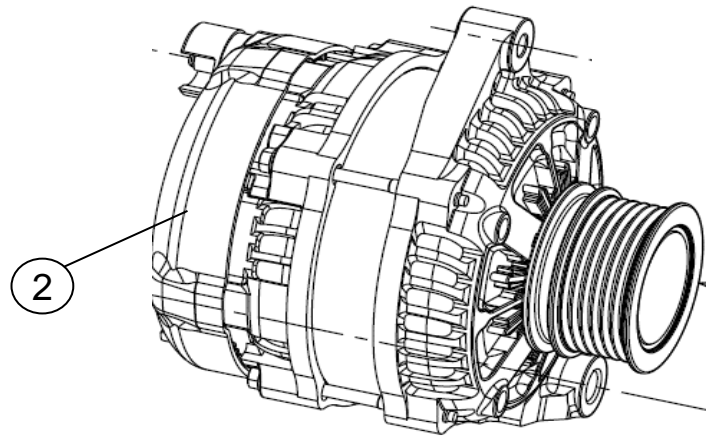
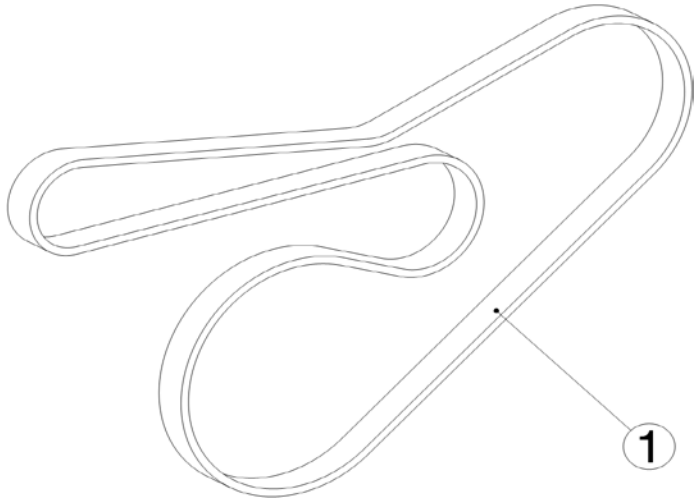


No.	Part No.	Name	QTY.	Notes
1	19321F29SA000	FLANGE,WATER OUTLET	1	
2	19505F29SA010	PIPE COMP,CONNECTING	1	
3	19410F29SA100	PASSAGE COMP,WATER	1	
4	19200RPY G010M2	PUMP COMP,WATER	1	
5	15500RPY G013M4	COOLER,ENG OIL	1	
6	19411RPY G010M2	O-RING,WATER PASSAGE(WATER)	1	
7	19412A2 A000	O-RING,WATER PASSAGE(OIL)	1	
8	957010602508	BOLT,FLANGE 6X25	5	
9	15502RPY G010M2	O-RING,OIL COOLER (WATER)	2	
10	15501RPY G010M2	O-RING,OIL COOLER (OIL)	2	
11	957010601608	BOLT,FLANGE 6X16	5	
12	19400F29SA200	PASSAGE ASSY,WATER	1	
13	37870RWCA010	SENSOR ASSY,TW	1	
14	91314PR7A00	O-RING (3.2X4.25)	2	
15	19322RPYG000	SEAL,THERMO CASE	1	

F4 PARTS LIST

SECTION

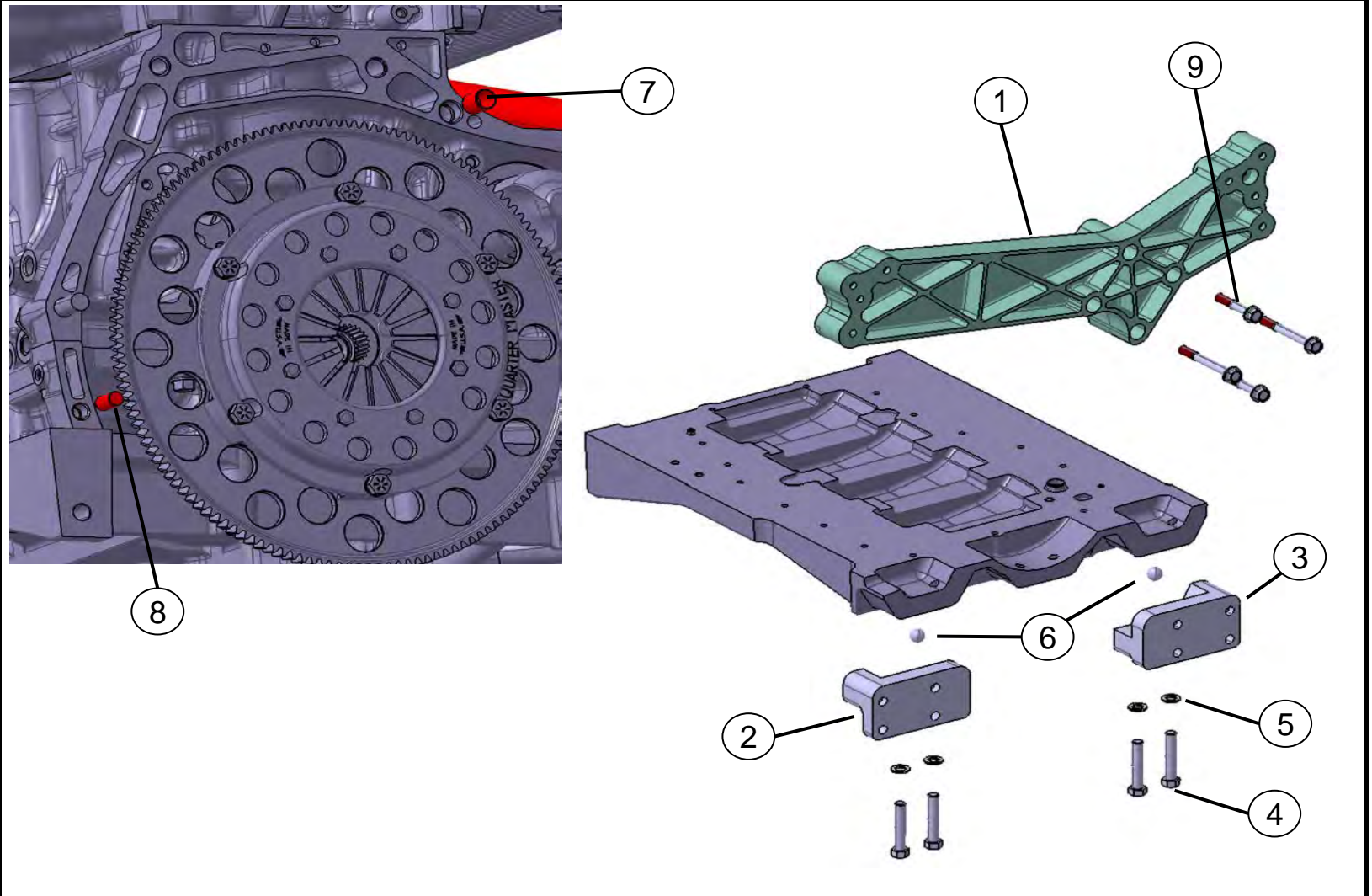
ALTERNATOR



No.	Part No.	Name	QTY.	Notes
1	31110F29SA000	BELT,ACG	1	
2	311005BF305	ALTERNATOR ASSY	1	

F4 PARTS LIST

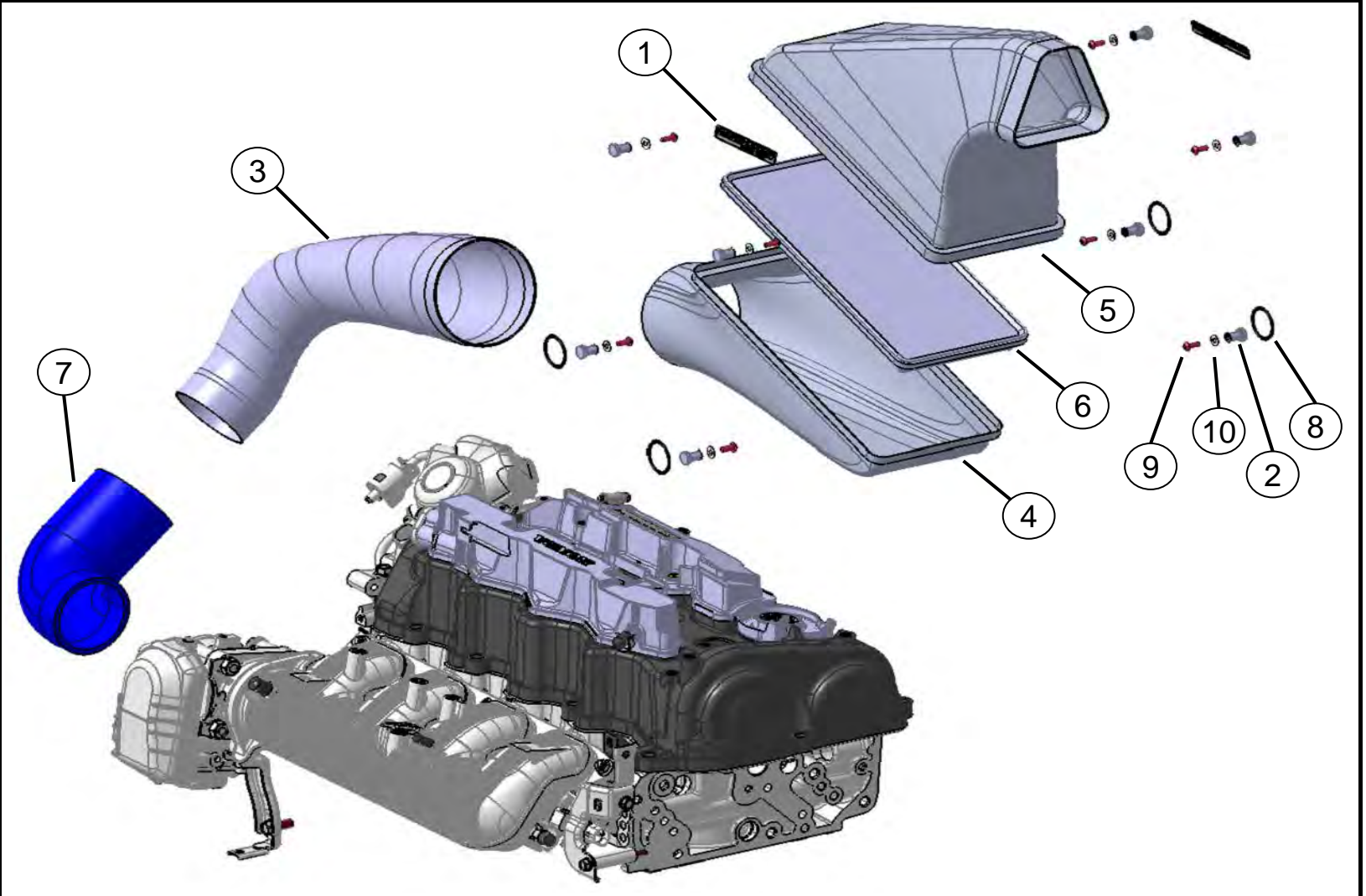
SECTION	ENGINE MOUNTS
----------------	----------------------



No.	Part No.	Name	QTY.	Notes
1	50821F29SB010	MOUNT,BILLET FRONT ENGINE	1	
2	50822F29SA020	MOUNT,R SUMP	1	
3	50823F29SA020	MOUNT,L SUMP	1	
4	90157FC4YH100	BOLT,HEX 7/16-14X2.25	4	
5	90415FC4YA000	WASHER,7/16 (NAS1149)	4	
6	90728FC4YA000	SPHERICAL,HOLLOW BALL 5/8"	2	
7	9430114200	DOWEL PIN,14X20	1	
8	9430210200	PIN,DOWEL,10X20	1	
9	90009P0A0002	BOLT,MT BRKT B	4	

F4 PARTS LIST

SECTION	F4 AIR INTAKE
----------------	----------------------

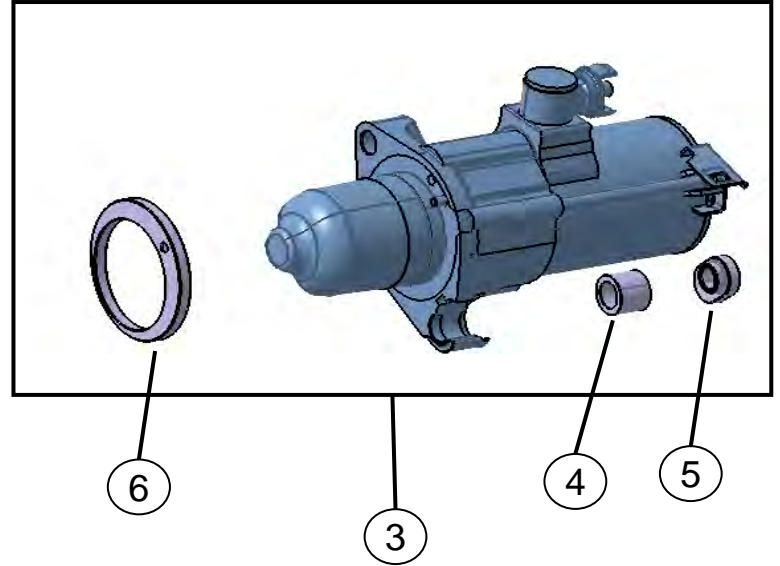
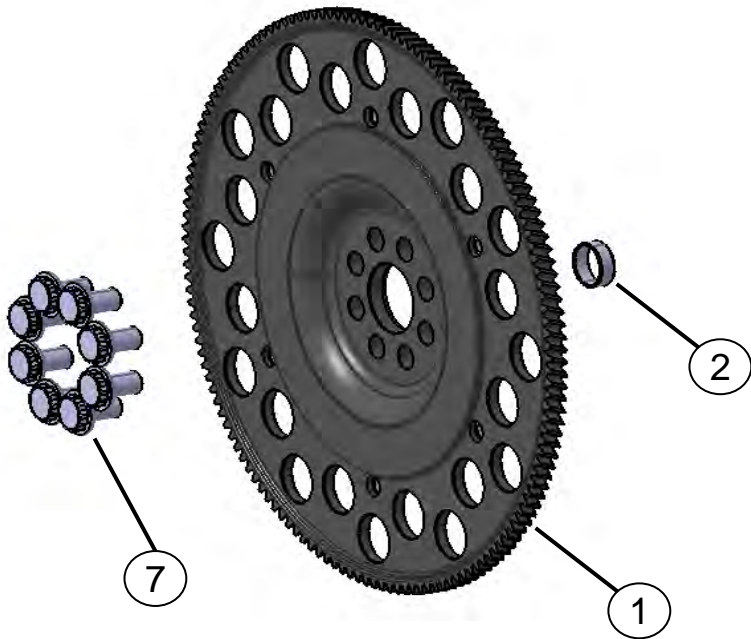


No.	Part No.	Name	QTY.	Notes
1	17029F20SA010M1	3.5INCH HPD BADGE,ENGINE	2	
2	17211F29SA000	POST LATCH,AIRBOX	8	
3	17212F29SA010M1	INTAKE PIPE	1	
4	17213F29SA010M1	LOWER FILTER TRAY,NA	1	
5	17214F29SA010M1	UPPER FILTER TRAY	1	
6	17220FC4YA000	ELEMENT ASSY,AIR CLEANER	1	
7	17294FC4YA010	HOSE,90 ELBOW TRANSITION	1	
8	91439FC4YA000	O-RING,28.24X2.62 VITON	4	
9	90113FC4YB100	BOLT,BUTTON HD SOCKET 10-32	8	
10	90416FC4YA100	WASHER,NO.10 (NAS1149) 0.032	8	

F4 PARTS LIST

SECTION

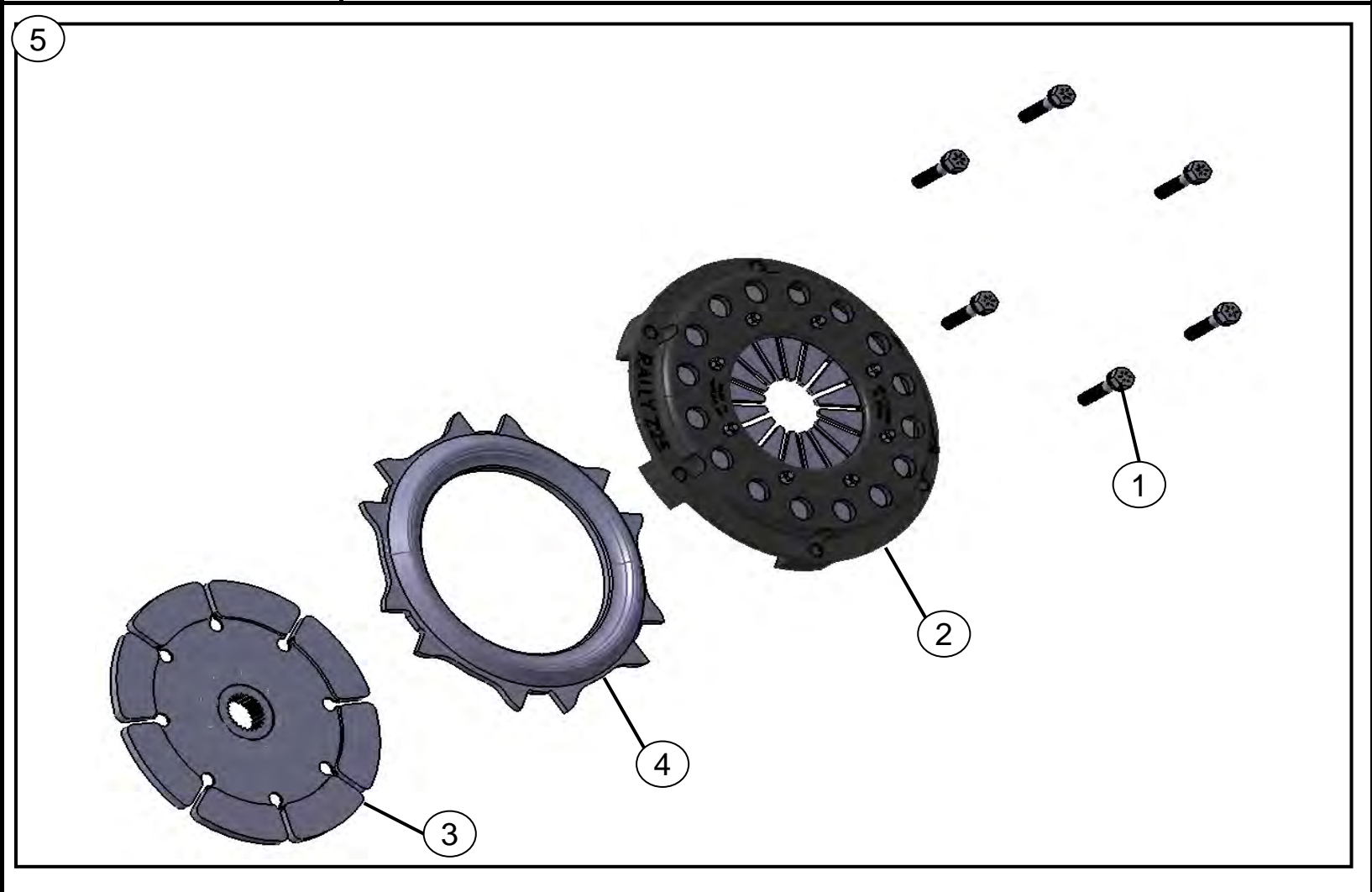
FLYWHEEL AND STARTER



No.	Part No.	Name	QTY.	Notes
1	22101F29SA011M1	FLYWHEEL	1	
2	22103-PNA-003	BUSH (21X24X8)	1	
3	31200F29SA010M1	MOTOR ASSY,STARTER	1	
4	31201F29SA010M1	BOSS,STARTER	1	
5	31202F29SA010M1	HOLD DOWN,STARTER	1	
6	31203F29SA010M1	ECCENTRIC,STARTER	1	
7	90011-PNA-B00	BOLT (12MM)	8	

F4 PARTS LIST

SECTION	CLUTCH
----------------	---------------



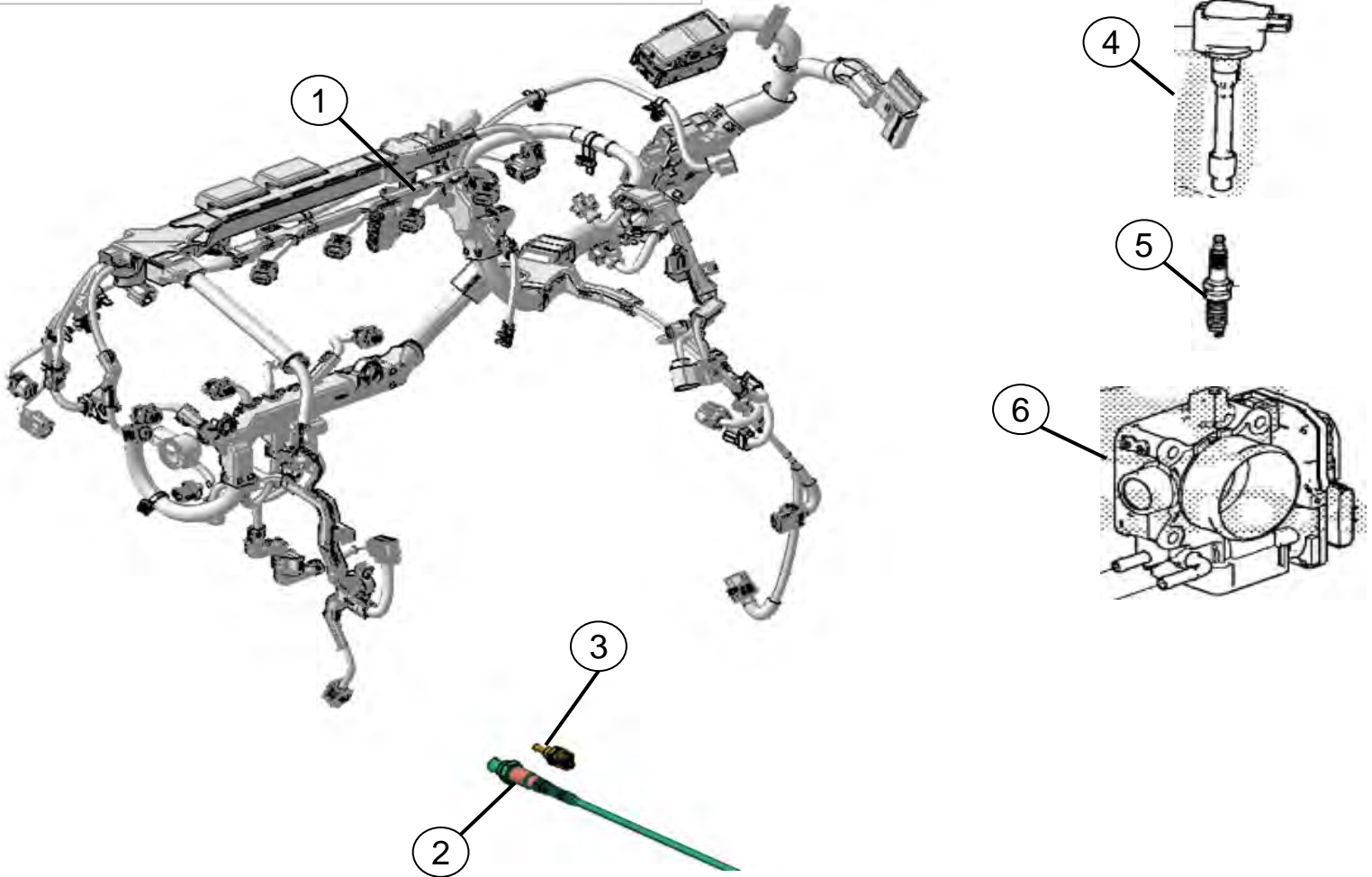
No.	Part No.	Name	QTY.	Notes
1	22102FC4YA000	CLUTCH BOLT KIT	1	
2	22201FC4YA100	COVER,CLUTCH 7.25"	1	
3	22202FC4YA100	DISK,FRICTION 7.25"	1	
4	22203FC4YA000	PLATE,PRESSURE 7.25"	1	
5	06221F29SA000	KIT,CLUTCH	1	RECOMMEND FULL KIT

F4 PARTS LIST

SECTION

WIRE HARNESS AND SENSORS

GRAPHIC NOT REPRESENTATIVE OF ACTUAL INSTALLATION



No.	Part No.	Name	QTY.	Notes
1	32110F29SA00	ENG HARN,F4	1	
2	36531FC4Y8100	SENSOR COMP,LAF	1	
3	37112FC4YA010	SENSOR,TEMP (NTC M12)	1	OIL TEMPERATURE SENSOR
4	30520-59B-013	COIL ASSY,PLUG TOP (IGNITION COIL)	4	
5	12290-59B-003	SPARK PLUG	4	
6	16400-RPY-G01	BODY A, ELECTRONIC CONTROL THROTTLE	1	

F4 PARTS LIST

SECTION

ELECTRONIC CONTROL UNIT



1

No.	Part No.	Name	QTY.	Notes
1	37820F29SA00	ELECTRONIC CONTROL UNIT	1	