



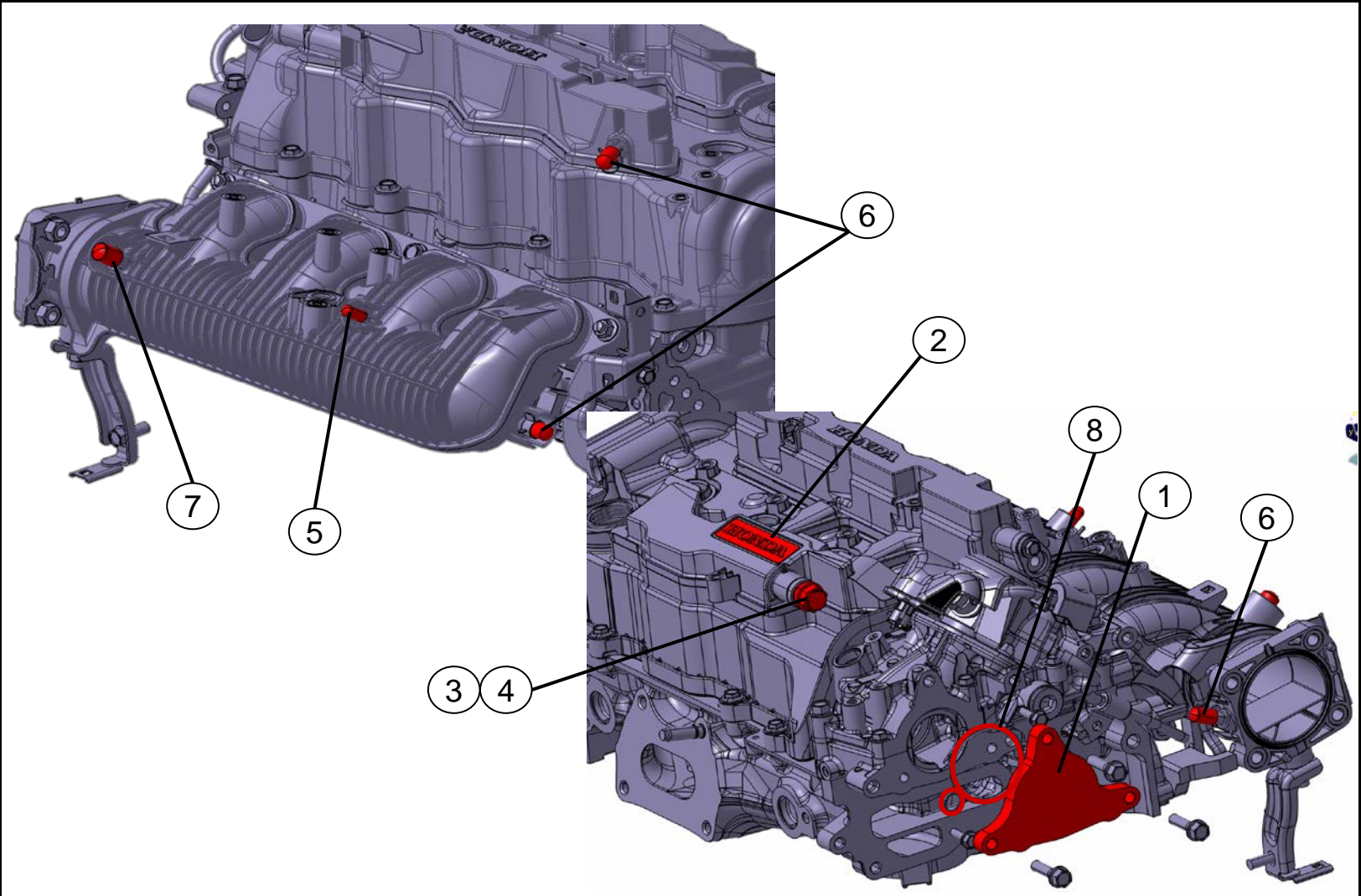
FR AMERICAS ENGINE PARTS BOOK 2024

ISSUE 1.1
4/1/24
FOR PARTS ORDERING REFERENCE

Unless otherwise specified in this document or in another official document from SCCA or Mountune, all parts listed are considered FIA Type 1 parts, and must be purchased directly from Mountune, or from a parts supplier officially contracted by Mountune for service. Any other engine component not directly listed in this manual is also considered a Type 1 part. Any non-sealed fasteners may be replaced with another fastener of identical dimensions, grade, and material if damage occurred to the original part. Teams may be allowed to perform the repair or replacement work themselves on non-sealed components, if direct permission is granted by Mountune.

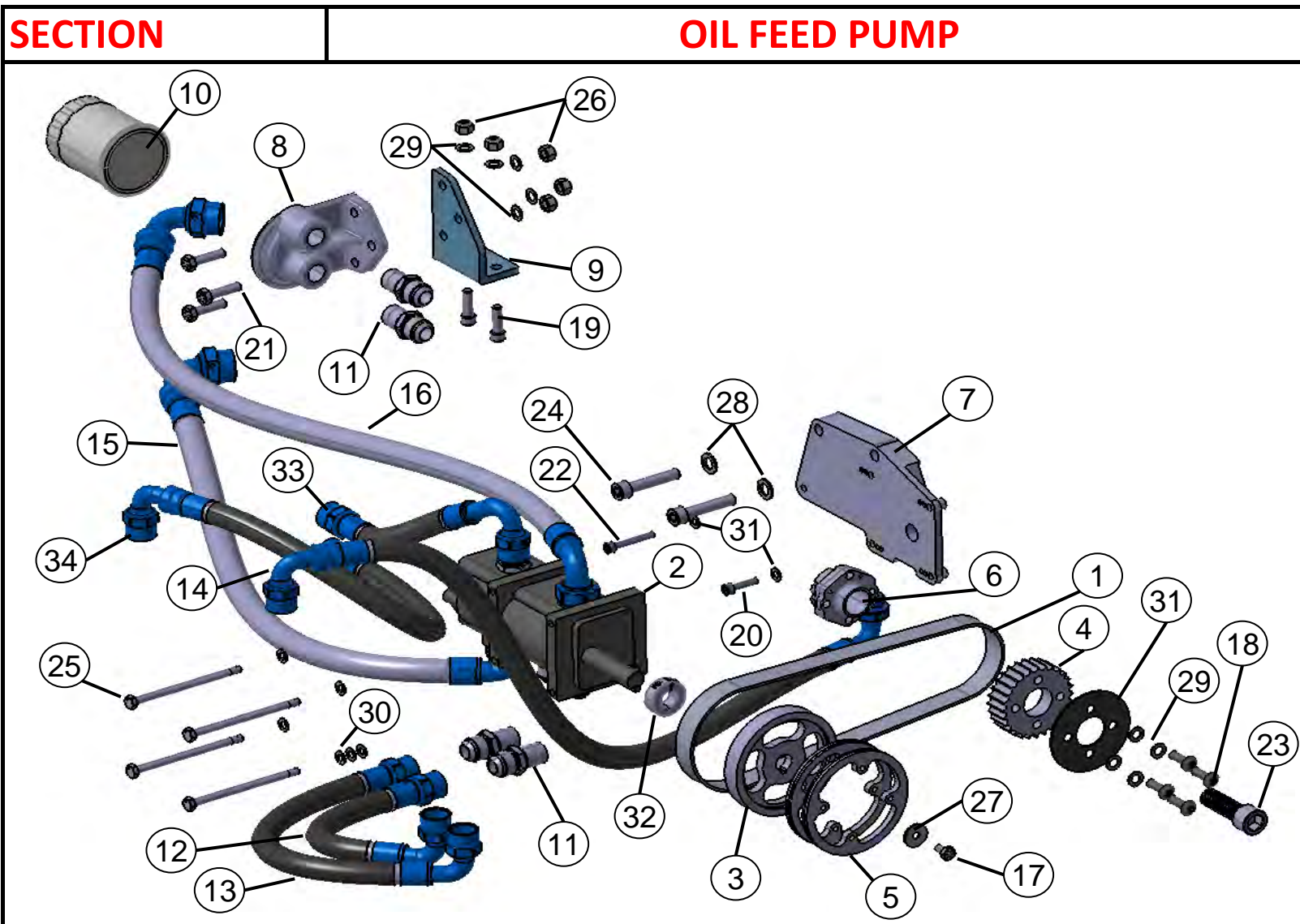
FR PARTS LIST

SECTION	CYLINDER HEAD PLUGS
----------------	----------------------------



No.	Part No.	Name	QTY.	FIA Type	Notes
1	12275F29SA11	PLATE,VACUUM PUMP BLOCK OFF	1	1	
2	12351F29SA01	EMBLEM,CYLINDER HEAD COVER	1	1	
3	17139F29SB00	ORIFICE,BREATHER F3	1	1	
4	17429FC4YA000	VENT,1/4 NPT MALE BREATHER	1	1	
5	17224FC4YA000B2	CAP,VACUUM (3/16")	1	1	
6	17224FC4YA000B3	CAP,VACUUM (5/16")	3	1	
7	17224FC4YA000B4	CAP,VACUUM (3/8")	1	1	
8	91305RPYG010M1	PKG,VACUUM PUMP HOLDER	1	1	

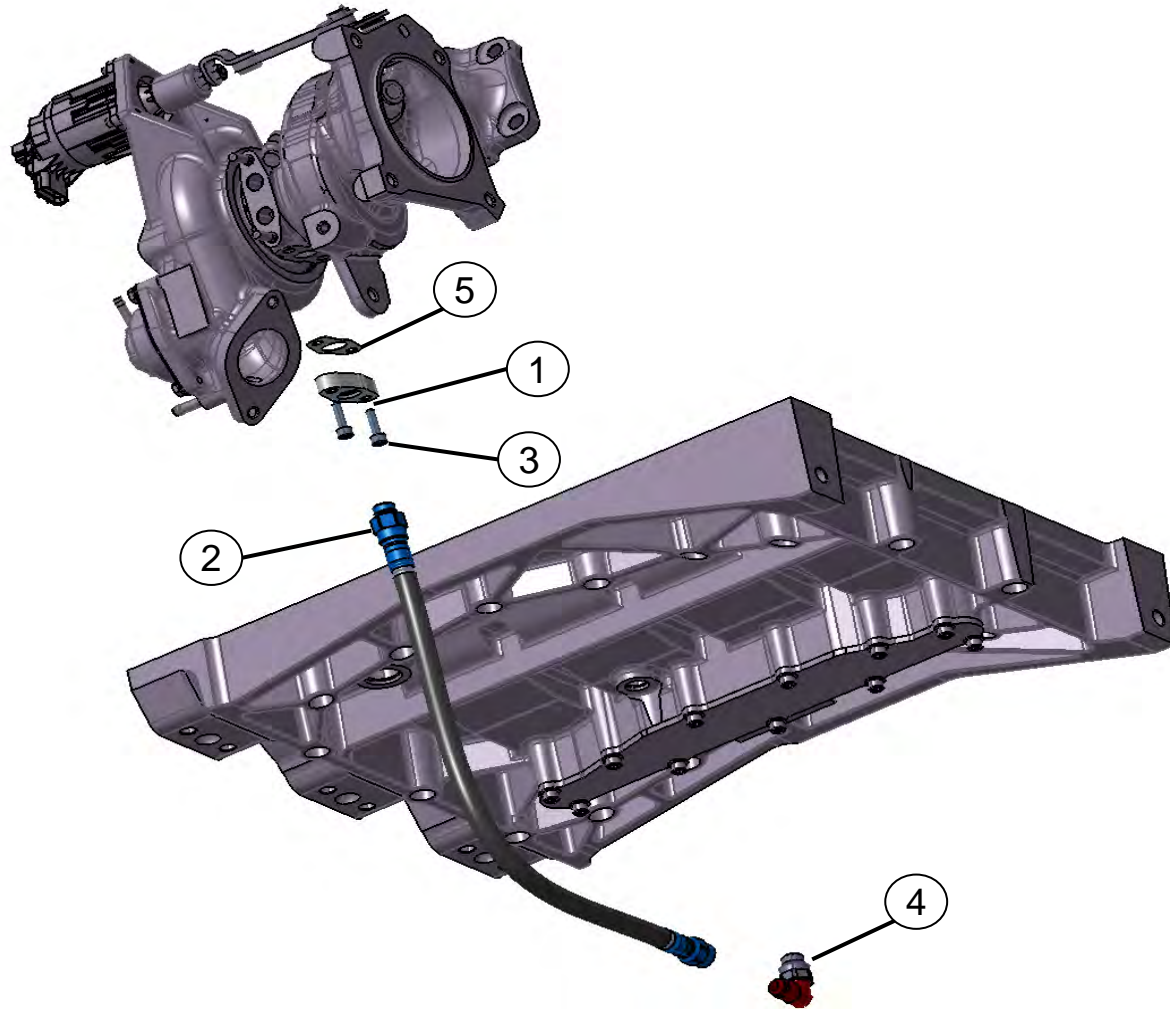
FR PARTS LIST



No.	Part No.	Name	QTY.	FIA Type	Notes
1	15061FC4YA000	BELT,OIL PUMP	1	1	
2	15100F29SA000	PUMP ASSY,OIL	1	1	
3	15102FC4YA000	PULLEY,OIL PUMP	1	1	
4	15103F29SA001	PULLEY,OIL PUMP DRIVE	1	1	
5	15104FC4YA000	BELT GUIDE,PUMP PULLEY	1	1	
6	15105F29SA100	ADAPTER,OIL PUMP DRIVE	1	1	
7	15110F29SA000	BRKT COMP,OIL PUMP	1	1	
8	15311FC4YA000	ADAPTER,REMOTE OIL FILTER	1	1	
9	15312F29SA001	BRACKET,OIL FILTER ADAPTER	1	1	
10	15400FC4YA000	OIL FILTER CARTRIDGE	1	1	
11	15401FC4YA000	ADAPTER,1/2NPT TO -10	4	1	
12	15402F29SA002	HOSE COMP,SCAVENGE 1	1	1	
13	15403F29SA002	HOSE COMP,SCAVENGE 2	1	1	
14	15512F29SB000	HOSE COMP,OIL COOLER TO SUMP	1	1	
15	15406F29SB000	HOSE COMP,OIL TANK TO PUMP F3	1	1	
16	15407F29SA001	HOSE COMP,OIL PUMP TO TANK	1	1	
17	90113FC4YH700	BOLT,HEX 1/4-28X0.5	1	1	
18	90123FC4YB800	BOLT,BUTTON HEAD 5/16-24X0.875	4	1	
19	90125FC4YM200	BOLT,SOCKET HEAD CAP 5/16IN-24	2	1	
20	90125FC4YM600	BOLT,SOCKET M6X25	1	1	
21	90132FC4YH800	BOLT,HEX 5/16-24X1.25	3	1	
22	90140FC4YM600	BOLT,SOCKET M6X40	1	1	
23	90150FC4YA000	BOLT,SOCKET M16X1.5-50	1	1	
24	90150FC4YM100	BOLT,SOCKET M10X1.25-50	2	1	
25	90199FC4YC000	BOLT,NAS1304-60 1/4-28X4.175	4	1	
26	90206FC4YD000	NUT,NYLOC 5/16-24	5	1	
27	90404FC4YD000	WASHER,(0.265"X0.875"X0.064")	1	1	
28	90415FC4YA000	WASHER,7/16 (NAS1149)	2	1	
29	90415FC4YA200	WASHER,5/16 (NAS1149)	9	1	
30	91004F1B X800	WASHER, AN960-416L	8	1	
31	15104F29SA000	FENCE,OIL PUMP BELT	1	1	
32	91845FC4YE000	COLLAR,SHAFT 0.625"	1	1	
33	15405F29SA010	HOSE COMP,OIL PUMP TO FILTER	1	1	
34	15511F29SB000	HOSE COMP,FILTER TO OIL COOLER	1	1	

FR PARTS LIST

SECTION	F3 TURBO OIL DRAIN
----------------	---------------------------

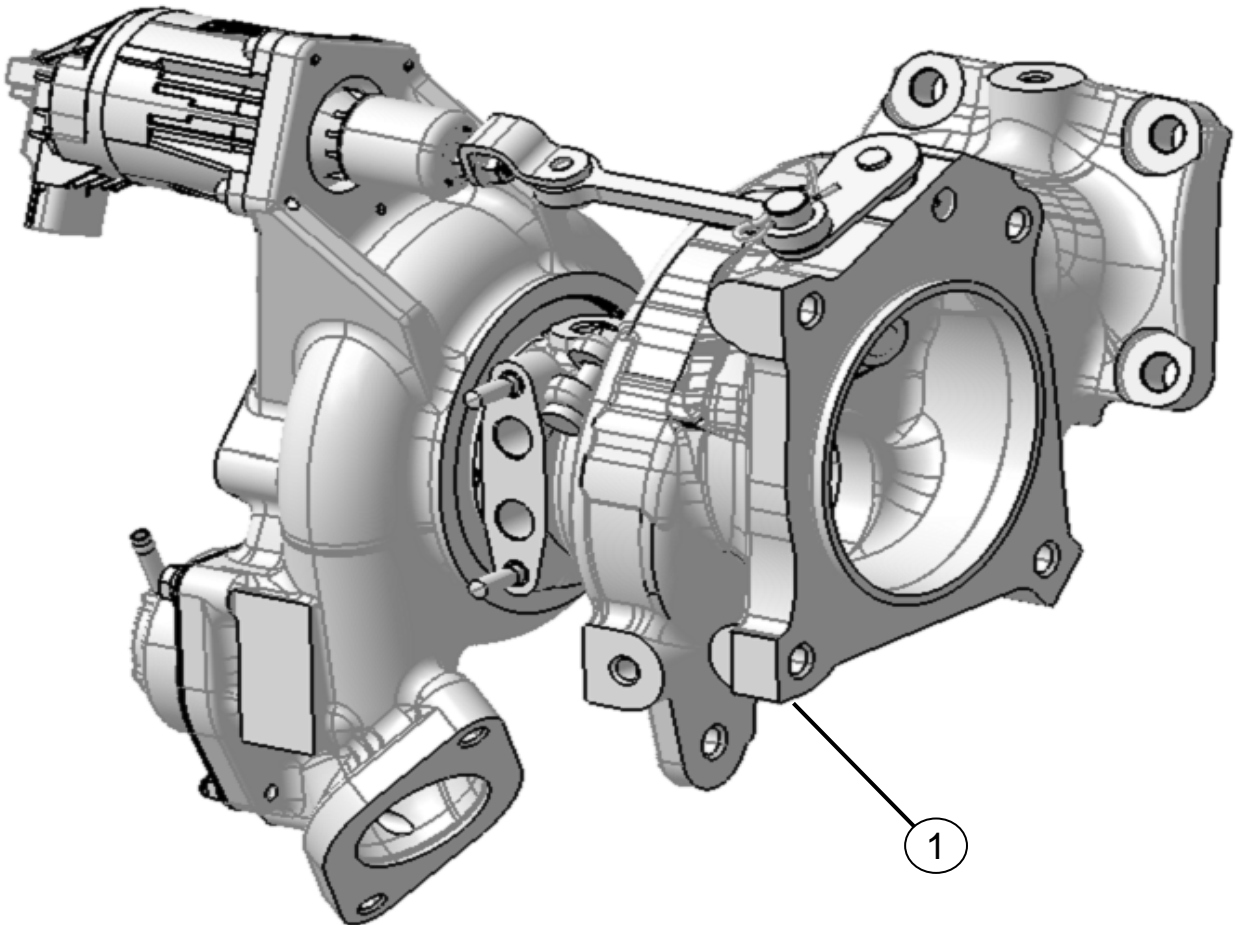


No.	Part No.	Name	QTY.	FIA Type	Notes
1	15541F29SB010	FLG,TURBO OIL DRAIN	1	1	
2	15542F29SB100	HOSE COMP,TURBO OIL DRAIN	1	1	
3	90120FC4YM600	BOLT,SOCKET 6X20	2	1	
4	91901FC4YA000	90 SWIVEL FITTING,DASH 6	1	1	
5	15544RWCA010	GSKT,OIL RETURN PIPE	1	1	

FR PARTS LIST

SECTION

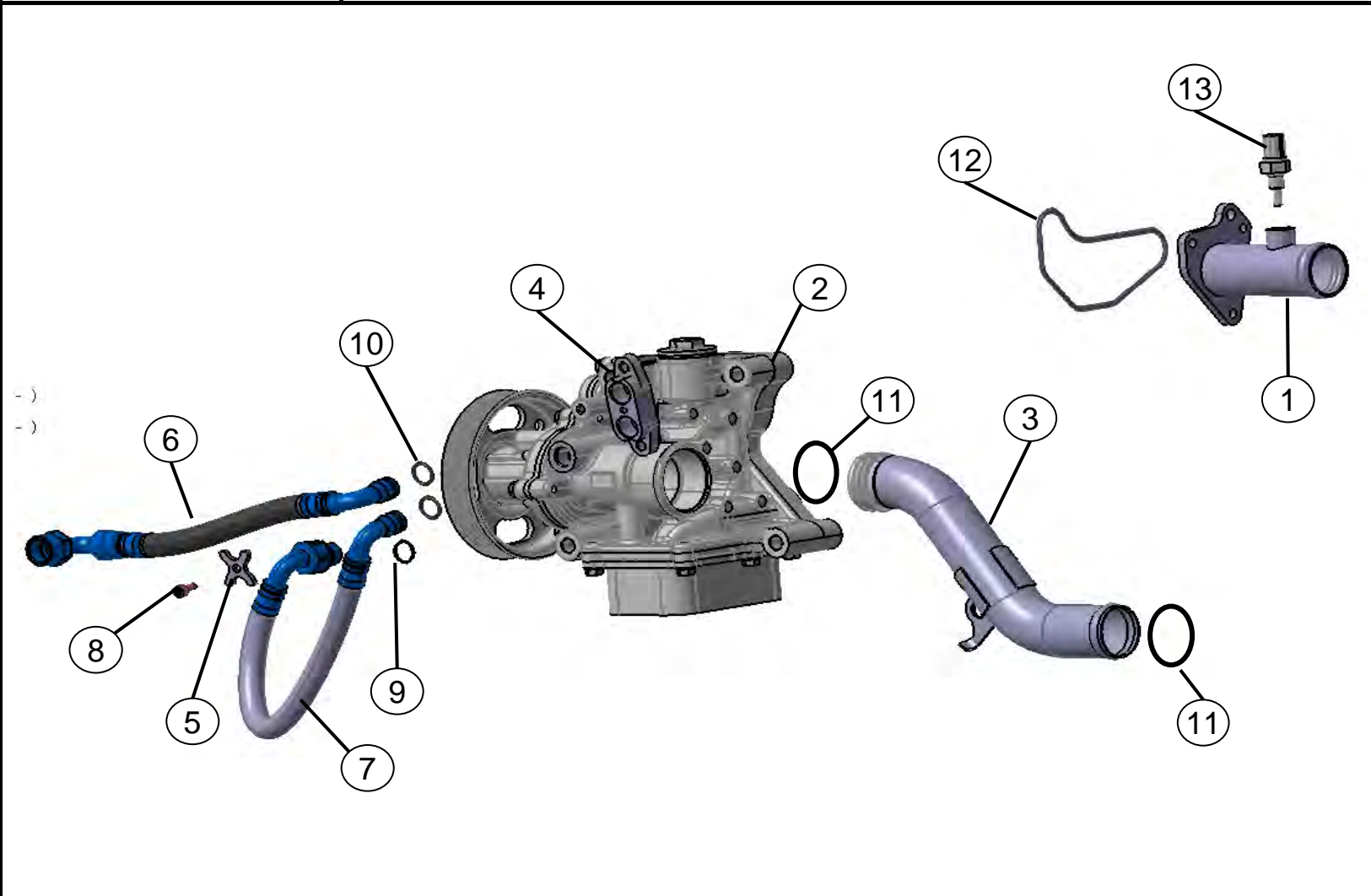
TURBOCHARGER



No.	Part No.	Name	QTY.	FIA Type	Notes
1	18900F29SB000	TURBOCHARGER ASSY,F3	1	1	Must be sealed by HPD

FR PARTS LIST

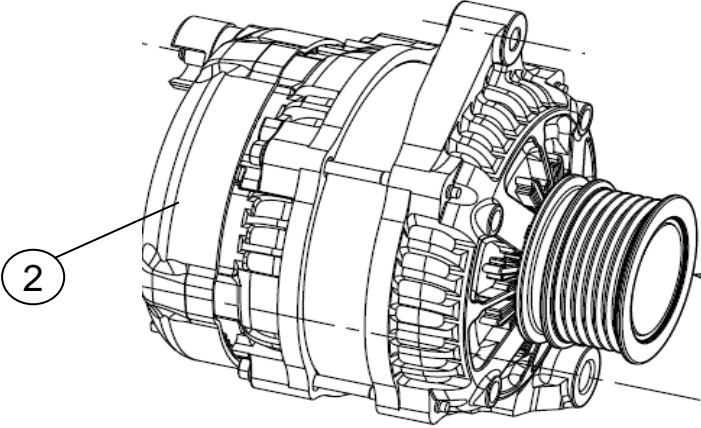
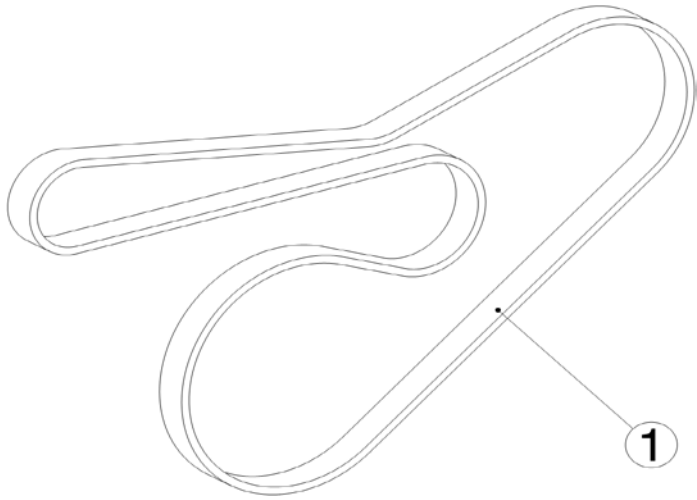
SECTION F3 WATER PUMP AND PIPES



No.	Part No.	Name	QTY.	FIA Type	Notes
1	19321F29SA000	FLANGE,WATER OUTLET	1	1	
2	19400F29SB000	PASSAGE ASSY,WATER F3	1	1	
3	19505F29SB100	PIPE COMP,CONNECTING	1	1	
4	19521F29SB010	FLG,TURBO WATER	1	1	
5	19522F29SB000	CLIP,PLUG-IN HOSE FITG	1	1	
6	19523F29SB020	HOSE COMP,TURBO WATER SUPPLY	1	1	
7	19524F29SB020	HOSE COMP,TURBO WATER DRAIN	1	1	
8	90112FC4YW500	BOLT WASHER,SOCKET M5X12	1	1	
9	91338FC4YC000	O-RING,2.2X13.3	1	1	
10	91347FC4YA001	O-RING,1.778X14 (VITON)	2	1	
11	91314PR7A00	O-RING (3.2X4.25)	2	1	
12	19322RPYG000	SEAL,THERMO CASE	1	1	
13	37870RWCA010	SENSOR ASSY,TW	1	1	

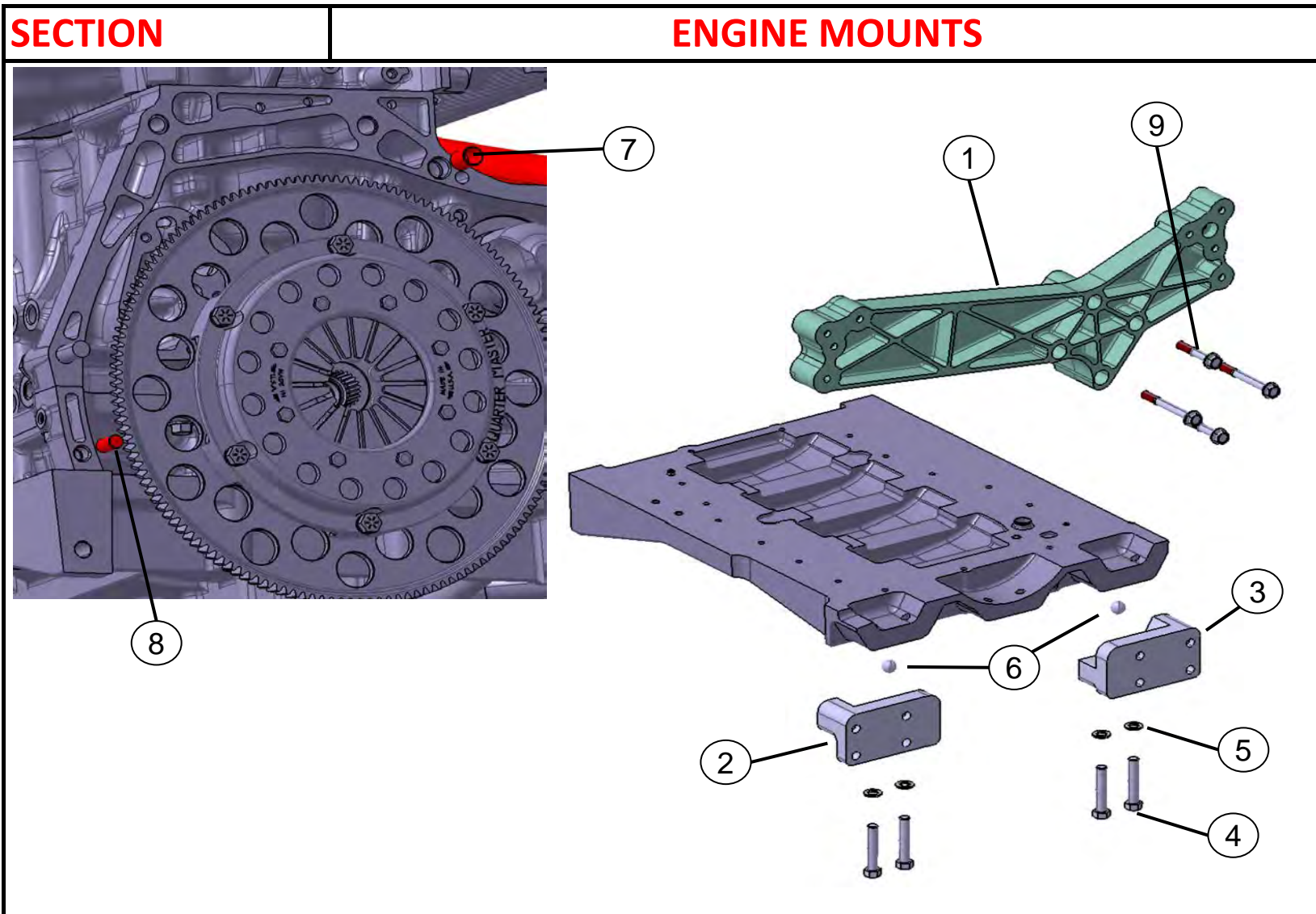
FR PARTS LIST

SECTION	ALTERNATOR
----------------	-------------------



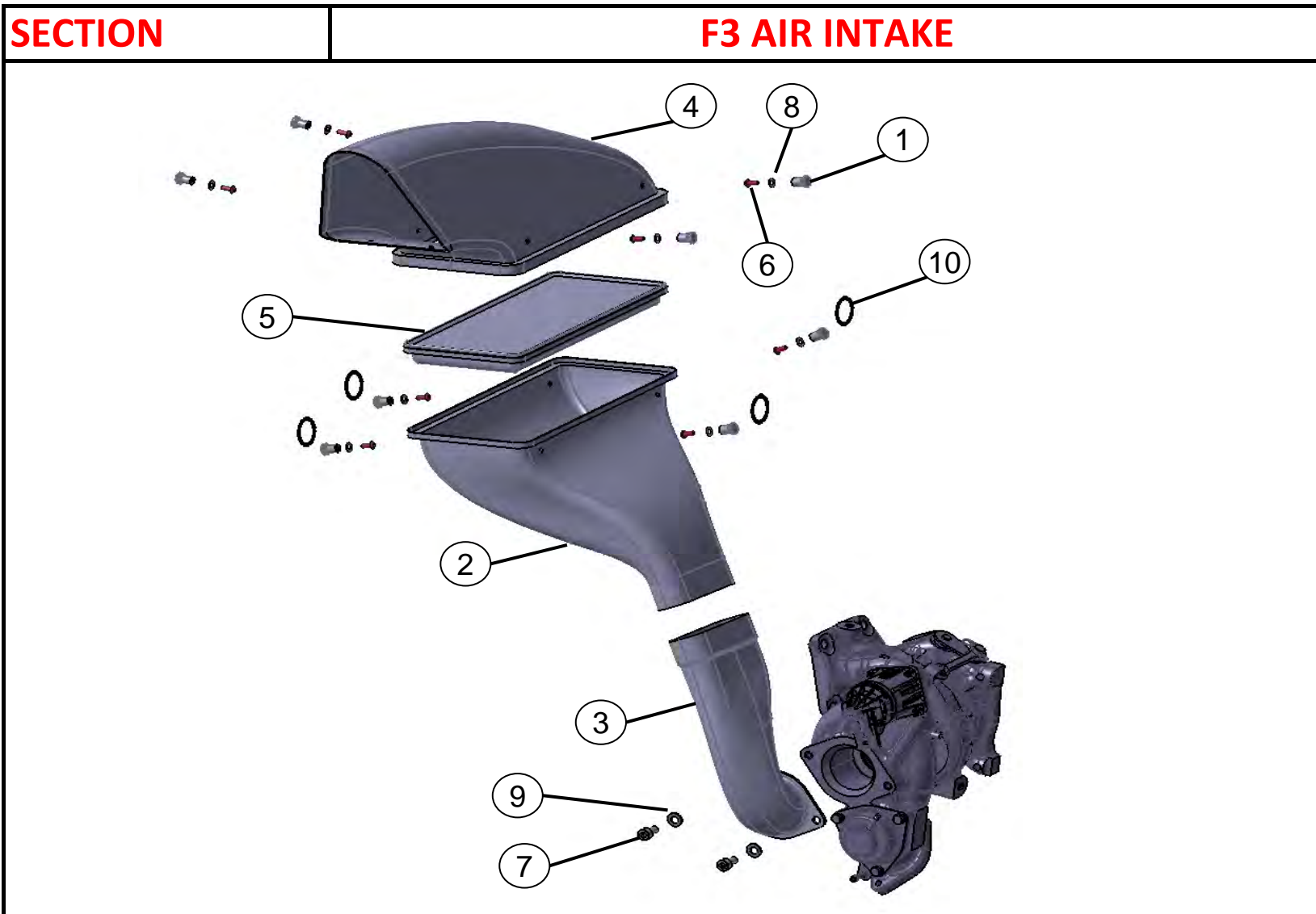
No.	Part No.	Name	QTY.	FIA Type	Notes
1	31110F29SA000	BELT,ACG	1	1	
2	311005BF305	ALTERNATOR ASSY	1	1	

FR PARTS LIST



No.	Part No.	Name	QTY.	FIA Type	Notes
1	50821F29SB010	MOUNT,BILLET FRONT ENGINE	1	1	
2	50822F29SA020	MOUNT,R SUMP	1	1	
3	50823F29SA020	MOUNT,L SUMP	1	1	
4	90157FC4YH100	BOLT,HEX 7/16-14X2.25	4	1	
5	90415FC4YA000	WASHER,7/16 (NAS1149)	4	1	
6	90728FC4YA000	SPHERICAL,HOLLOW BALL 5/8"	2	1	
7	9430114200	DOWEL PIN,14X20	1	1	
8	9430210200	PIN,DOWEL,10X20	1	1	
9	90009P0A0002	BOLT,MT BRKT B	4	1	

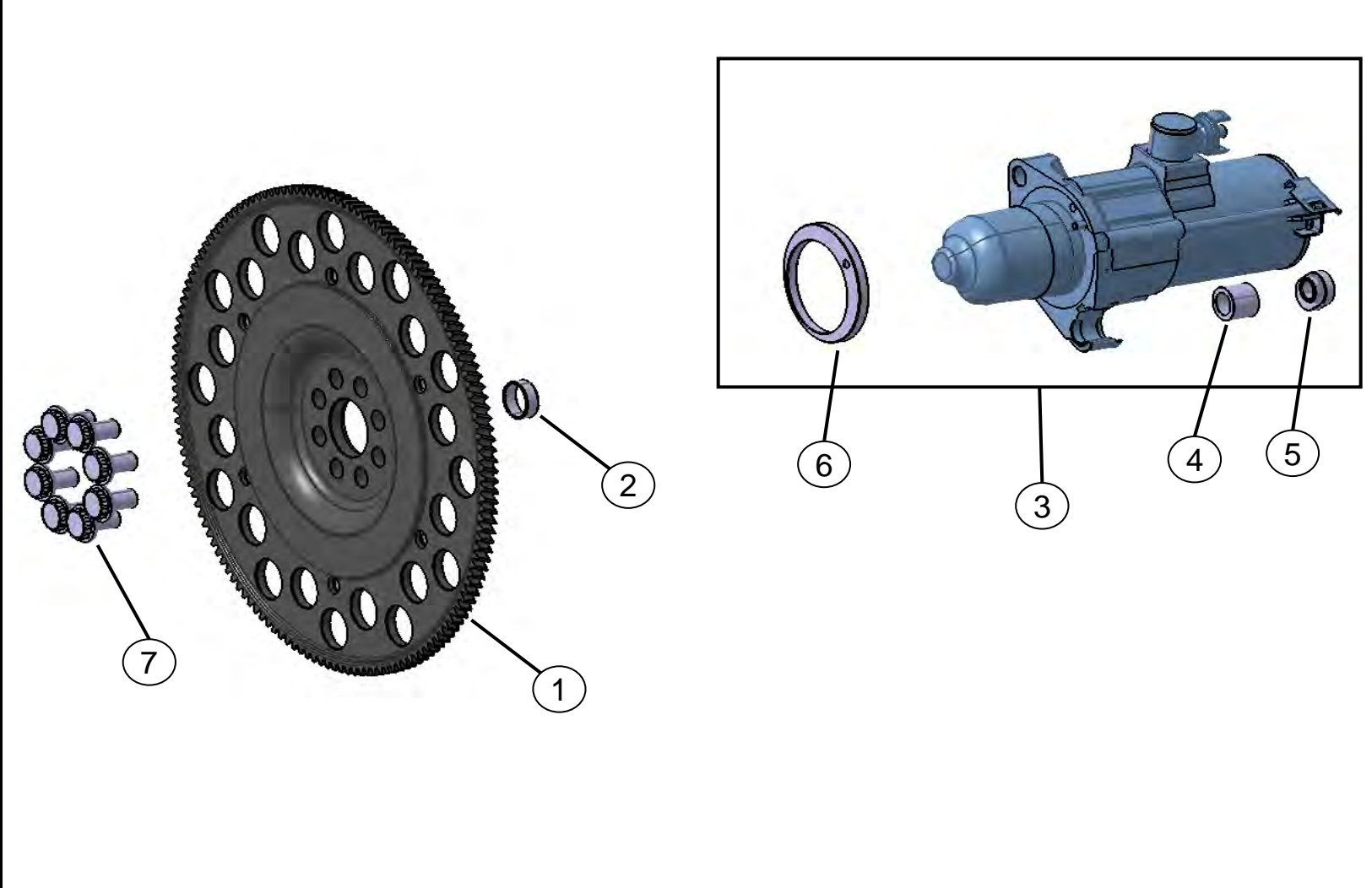
FR PARTS LIST



No.	Part No.	Name	QTY.	FIA Type	Notes
1	17211F29SA000	POST LATCH,AIRBOX	8	1	
2	17213F29SB010M1	LOWER FILTER TRAY,F3	1	1	
3	17214F29SB010M1	AIRBOX TURBO INLET,F3	1	1	
4	17215F29SB010M1	UPPER FILTER TRAY,F3	1	1	
5	17220FC4YA000	ELEMENT ASSY,AIR CLEANER	1	1	
6	90113FC4YB100	BOLT,BUTTON HD SOCKET 10-32	8	1	
7	90116FC4YM800	BOLT,SOCKET, 8X16	2	1	
8	90416FC4YA100	WASHER,NO.10 (NAS1149) 0.032	8	1	
9	90421FC4YA200	WASHER,PLAIN M8	2	1	
10	91570FC4YA000	O-RING,26.57X3.53 VITON	4	1	

FR PARTS LIST

SECTION	FLYWHEEL AND STARTER
----------------	-----------------------------

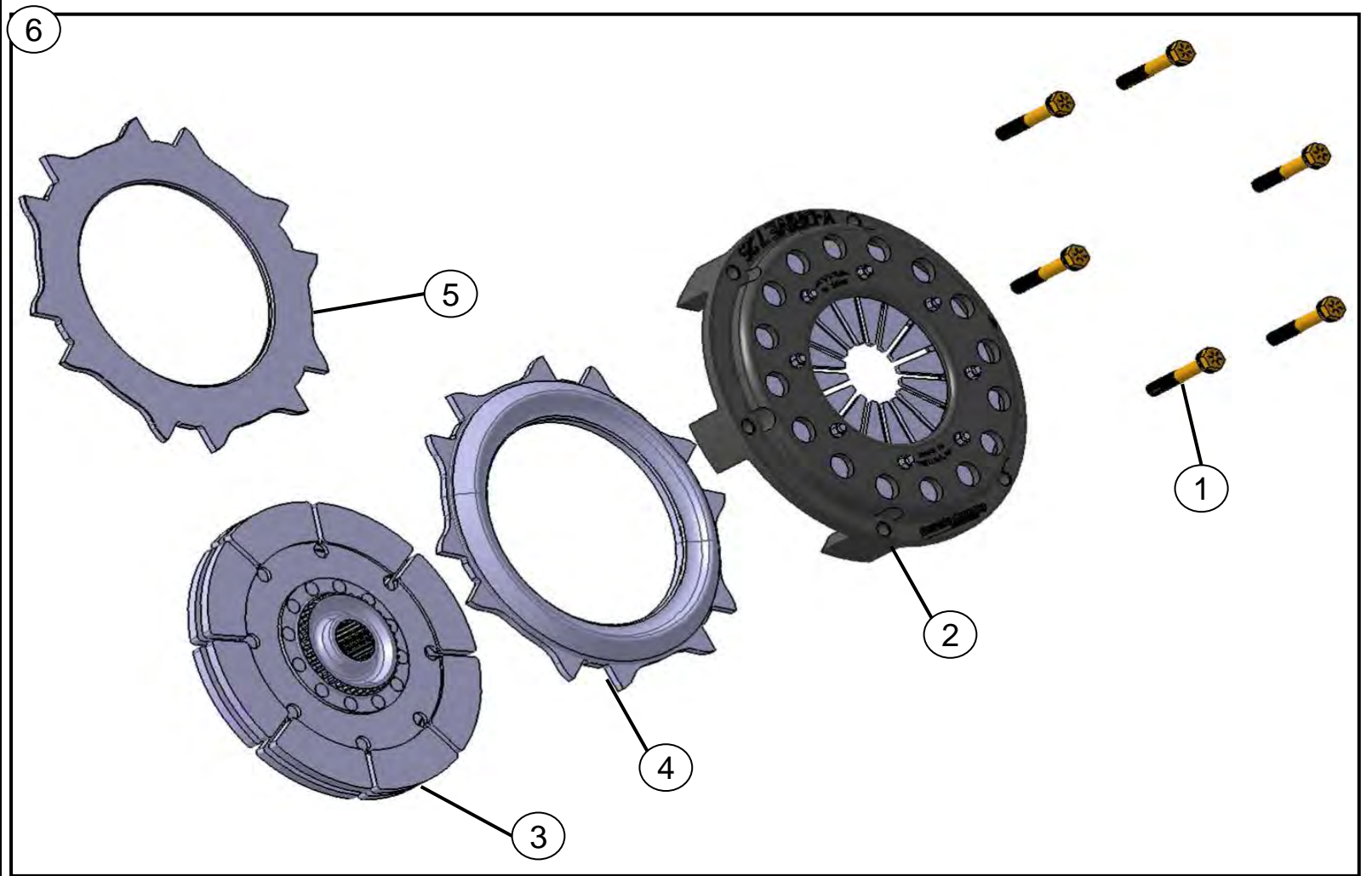


No.	Part No.	Name	QTY.	FIA Type	Notes
1	22101F29SA011M1	FLYWHEEL	1	1	
2	22103-PNA-003	BUSH (21X24X8)	1	1	
3	31200F29SA010M1	MOTOR ASSY,STARTER	1	1	
4	31201F29SA010M1	BOSS,STARTER	1	1	
5	31202F29SA010M1	HOLD DOWN,STARTER	1	1	
6	31203F29SA010M1	ECCENTRIC,STARTER	1	1	
7	90011-PNA-B00	BOLT (12MM)	8	1	

FR PARTS LIST

SECTION

CLUTCH

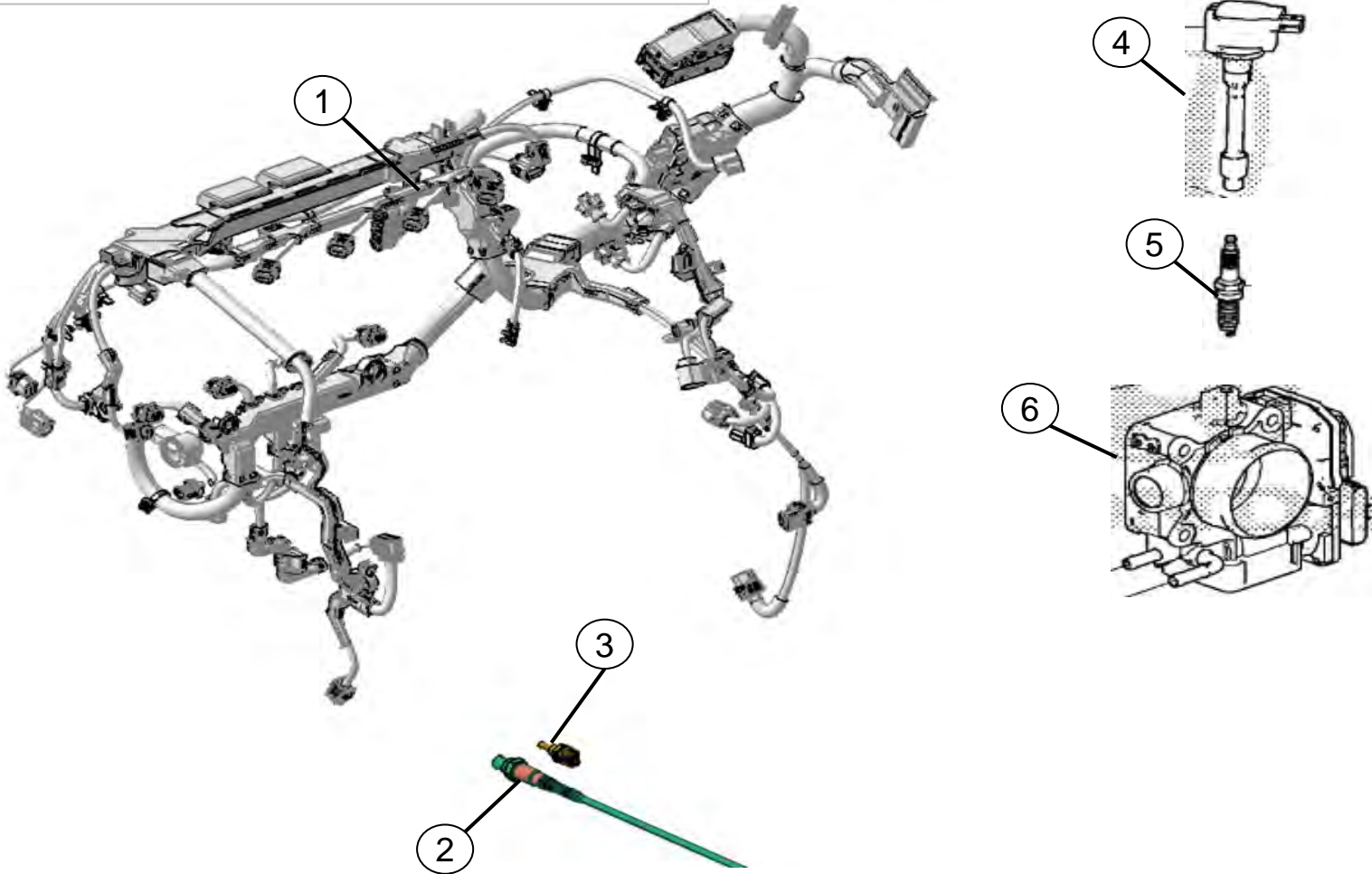


No.	Part No.	Name	QTY.	FIA Type	Notes
1	22102FC4YB000	CLUTCH BOLT KIT,2 DISC	1	1	
2	22201F29SB010M1	COVER,CLUTCH 7.25" F3	1	1	
3	22202FC4YB000	DISC,FRICTION PACK 7.25" F3	1	1	
4	22203FC4YA000	PLATE,PRESSURE 7.25"	1	1	
5	22204FC4YB000	PLATE,FLOATER 7.25" F3	1	1	
6	06221F29SB000	KIT,F3 CLUTCH	1	1	FULL KIT RECOMMENDED

FR PARTS LIST

SECTION WIRE HARNESS AND SENSORS

GRAPHIC NOT REPRESENTATIVE OF ACTUAL INSTALLATION

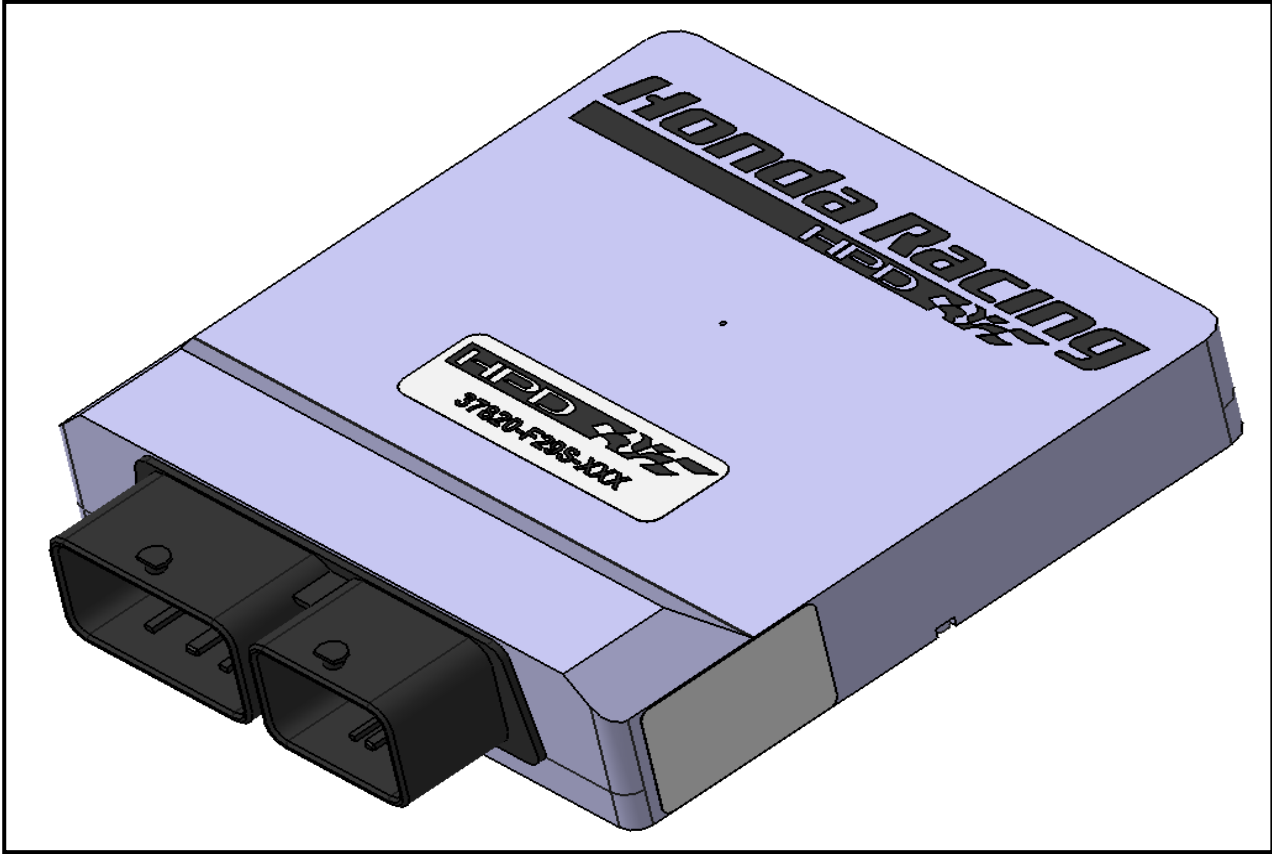


No.	Part No.	Name	QTY.	FIA Type	Notes
1	32110F29SB000	ENG HARN,F3	1	1	
2	36531FC4Y8100	SENSOR COMP,LAF	1	1	
3	37112FC4YA010	SENSOR,TEMP (NTC M12)	1	1	OIL TEMP SENSOR
4	30520-59B-013	COIL ASSY,PLUG TOP (IGNITION COIL)	4	1	
5	12290-59B-003	SPARK PLUG	4	1	
6	16400-RPY-G01	BODY A, ELECTRONIC CONTROL THROTTLE	1	1	

FR PARTS LIST

SECTION

ELECTRONIC CONTROL UNIT



1

No.	Part No.	Name	QTY.	FIA Type	Notes
1	37820F29SB000	ELECTRONIC CONTROL UNIT	1	1	

FR PARTS LIST

SECTION	LAP RECEIVER
----------------	---------------------

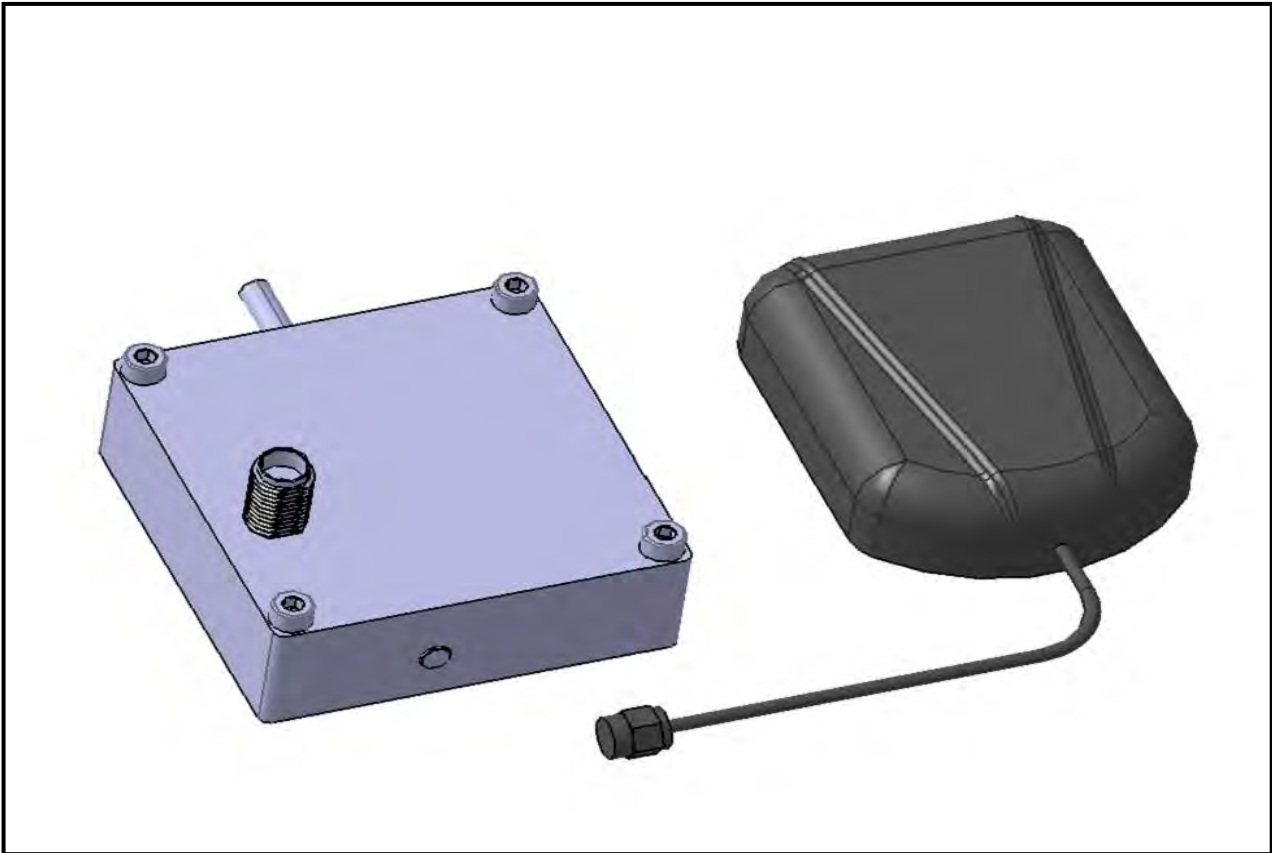


No.	Part No.	Name	QTY.	FIA Type	Notes
1	39100F29SB000	RECEIVER,OPTICAL LAP	1	1	

FR PARTS LIST

SECTION

GPS



1

No.	Part No.	Name	QTY.	FIA Type	Notes
1	39150F29SB000	GPS ASSY	1	1	