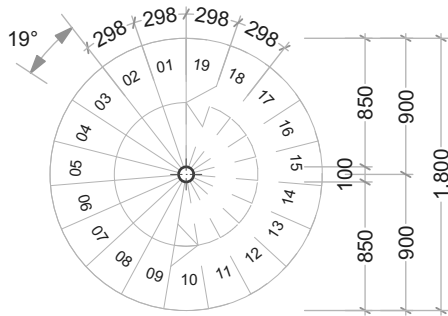


3 Detail 1:25



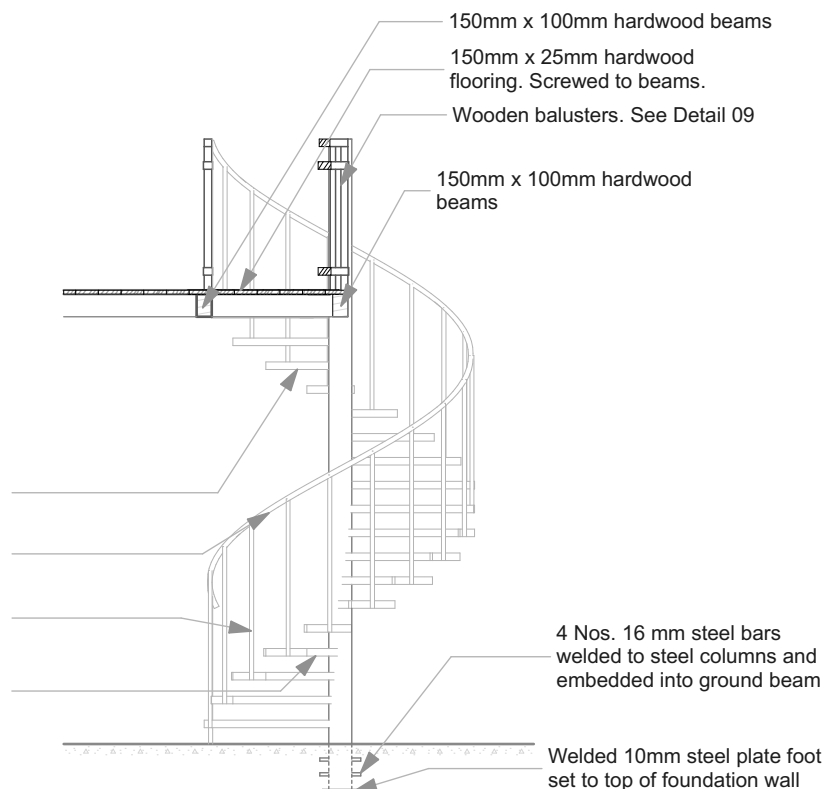
1 D-1101 Detail 1:50

Wooden treads supported by steel framing. See details

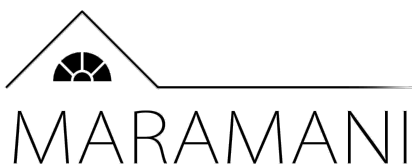
Single curved steel handrail welded to balusters. Black oil paint finish

20mm steel balusters welded to steel tread support. Black oil paint finish

See detail (8 Staircase tread) for steel tread support



2 Detail 1:50



professional house plans

www.maramani.com / info@maramani.com

This license is for personal use only. Personal use means non-commercial use. The Media may not be used in any way whatsoever in which you charge money, collect fees, or receive any form of remuneration. The details may not be used in advertising, resold, relicensed, or sub-licensed. Title and ownership, and all rights now and in the future, of and for the Media remain exclusively with Maramani. There are no warranties, express or implied. The details are provided 'as is.' Maramani will not be liable for any third party claims or incidental, consequential or other damages arising out of the use of the details.

Detail Category

**Stairs and Baluster**

Drawing Subset Name

**Steel and wood Stair Details**

Layout ID

**M.11.1**

Drawing Scale

**1:50, 1:25**