

Expansion thermometer with micro switch Mechanical temperature regulator Model SC15

Combistat

Applications

- Temperature regulation at mechanical engineering
- Temperature regulation in bakery-ovens
- Oil temperature regulation with compressors
- Temperature regulation in the refrigeration industry

Special features

- Temperature regulator and indication in one gauge
- High switching safety and life span



Combistat, model SC15

Description

Ingress protection

Case IP 53, terminals IP 00

Nominal size in mm

60, 80, 100

Accuracy class

Class 2 per EN 13190

Scale ranges

-100 ... 400 °C

Operating temperature

Ambient: -40 ... +60 °C

Scale length

Max. 270 °

Dial

Aluminium, white, black lettering

Measuring principle

Bourdon tube system

Type of contact

- 1 adjustable change over switch
- 2 adjustable change over switches
- 2 together adjustable change over switches
- 1 adjustable and 1 fixed change over switch
- 1 fixed change over switch
- 2 fixed change over switches

Contacts

Micro switches

Switch rating

5 A non-inductive at max. 250 V, 40 ... 60 Hz

Standard switch differential

< 2 % of measuring range

Connection, electrical

0.8 x 6.3 mm terminal block or AMP plug connection

Case

Plastic, black

Type of mounting

Panel mounting with clamp
(NS 100 with steel case with panel mounting flange)

Capillary

Plastic covered -40 ... +120 °C
Copper braided -40 ... +350 °C
Stainless steel -100 ... +400 °C

System filling

Xylol, silicone oil, syltherm or nitrogen

Capillary length

Max. 10 m

Capillary outlet

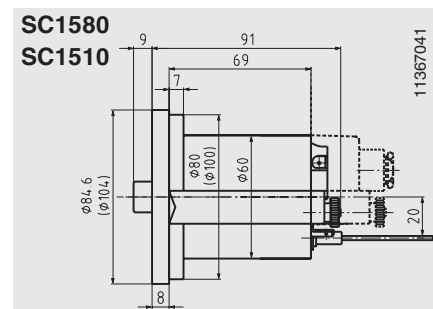
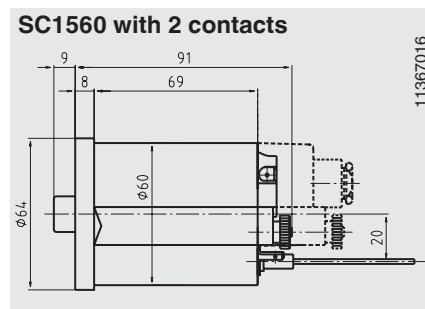
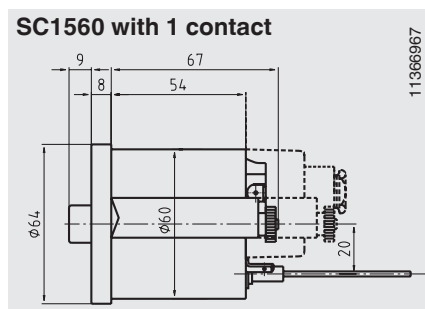
Lower back (LB)

Options

- Scale °F, °C/°F
- Case steel
- Case square version (45 x 45 mm, 72 x 72 mm, 96 x 96 mm)
- Panel mounting flange
- Protection cap IP 51 or IP 54
- Switch rating 10 A non-inductive at max. 250 V, 40 ... 60 Hz
- Other process connections
- Test symbol UL, CSA
- Case steel with 3 or 4 fixed contacts
(model = SC00 ... F3/F4)

Dimensions in mm

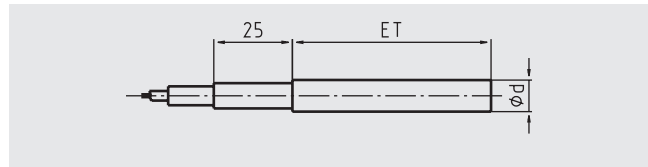
Standard version



Design of connection

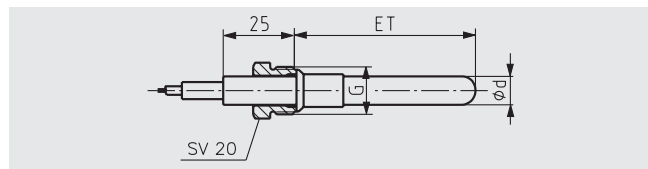
Plain stem (without thread), SF94

Copper alloy
Stem length = variable
Diameter of stem $\varnothing d = 6, 8, 8.5, 10$



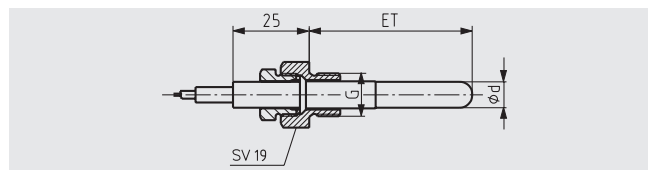
Male nut with cone sealing, SF91 / SV20

Copper alloy, G 1/2 B, G 3/8 B, M14 x 1.5
Stem length = variable
Diameter of stem $\varnothing d = 6, 8, 8.5, 10$



Male nut with fitting SF91 / SV19

M14 x 1.5, G 3/8 B, G 1/2 B, G 3/4 B
Copper alloy
Stem length = variable
Diameter of stem $\varnothing d = 6, 8, 8.5, 10$



Ordering information

Model / Nominal size / Scale range / Type of contact / Switching points / Capillary / Capillary length / Design of connection / Options

The specifications given in this document represent the state of engineering at the time of publishing.
We reserve the right to make modifications to the specifications and materials.