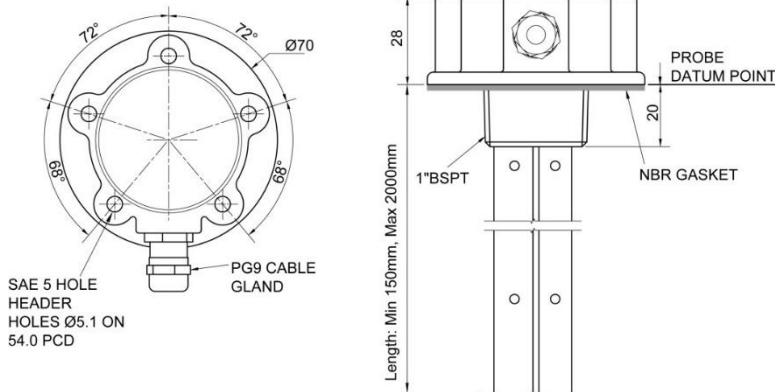


T/LL35X INSTALLATION INSTRUCTIONS



| Model variant table | |
|---------------------|-------------------|
| Model No | Output |
| T/LL350 | Resistive |
| T/LL351 | Voltage |
| T/LL352 | Current |
| T/LL353 | Resistive + alarm |
| T/LL354 | Voltage + alarm |
| T/LL355 | Current + alarm |

1. System Description:

The T/LL35X consists of a tank mounted electronics enclosure and a twin capacitive probe made from an anodized aluminium extrusion. The sender output is specified by the customer and factory set during manufacture.

2. Output Options:

| | |
|--|--|
| T/LL350 Emulated resistance # Any range value 3 – 500 Ω or 500 – 3 Ω | T/LL353 Emulated resistance # Any range value 3 – 500 Ω or 500 – 3 Ω With level alarm # |
| T/LL351 Voltage 0-10 VDC range (24 V systems) 0-5 VDC range (12 V systems). NB max load on voltage output = 10 mA | T/LL354 Voltage 0-10 VDC range (24 V systems) 0-5 VDC range (12 V systems). NB max load on voltage output = 10 mA With level alarm # |
| T/LL352 Current Any range value 0-20 mA range | T/LL355 Current Any range value 0-20 mA range With level alarm # |

NB Level alarm output options - maximum load 100 mA.

3. Mechanical Fixing:

1" BSPT, mounting thread or 5 hole SAE flange mounting. Guide the probe through the tank opening. Either secure the 5 off M5 bolts to a torque of 22 Nm or thread into position on 1" BSPT thread to hand tight plus one quarter turn with a peg spanner

4. Electrical Supply

Voltage Supply: 9-32 VDC
Current Supply: Max 35 mA at 24 VDC

5. Electrical Connections

Electrical connectors are fitted as specified by the customer. For a standard unit, the convention used is:

Red wire: V+, Black wire: Ground (0 V), Green wire: Signal

For units with level alarm: White wire: Alarm switch

Notes:

A minimum clearance of 20 mm between the end of the probe and the bottom of the tank is recommended.

Do not connect V+ supply voltage to the signal or level alarm out pin ~ this may damage the sender electronics.

GTS GAUGES TRANSMITTERS SWITCHES

PH: (08) 9250 4400 ▼ sales@gtsgauges.com.au ▼ www.gtsgauges.com.au