

TECHNICAL DATA

FORMULA
INNOVATION IN SENSORS

T/LL350 series fuel level sensor



The **Model T/LL350** series is a range of highly advanced sensors for continuously measuring the contents of a fuel tank. The unique feature of the T/LL350 is that it recalibrates itself when a liquid with a different dielectric constant is used. For example, if it is used in a tank of conventional diesel, then the user can refill with bio-diesel and the sensor will correct the output level automatically.

Options include a level alarm point, set at any point along the stem to be either high or low level, and any suitable receptacle or cable requirement specified by the user.

SPECIFICATION

Dimensions:

Probe length: Min 200mm, Max 2000mm (Min 7.9", Max 78.7")

Electrical:

Supply voltage: 9-32 VDC with 80V over voltage protection
Connections: 500mm long 18AWG XPE flying leads
Misconnection protection is provided

Supply current: 15mA@12Vdc + output load
Accuracy: ±2.0% of depth @ 20°C (+68°F)

Outputs:

Resistive: Any values between 3-500Ω or 500-3Ω.
Voltage: Any values between 0-5V/5-0V (12VDC system) or 0-10V/10-0V (24VDC system).

Current: 0-20mA, 4-20mA

Construction:

Housing: Die cast aluminium
Sensor tube: Anodised aluminium
Internal insulators: PTFE

Internal sensor: Aluminium
Wetted seals: PTFE, Polypropylene & Nitrile

Fluid Types:

Diesel, biodiesel, kerosene, petrol, water or any liquid which is compatible with the materials of construction.

Environmental Ratings:

Temperature - operating: -40°C to +85°C (-40°F to +185°F)
- storage: -40°C to +105°C (-40°F to +221°F)

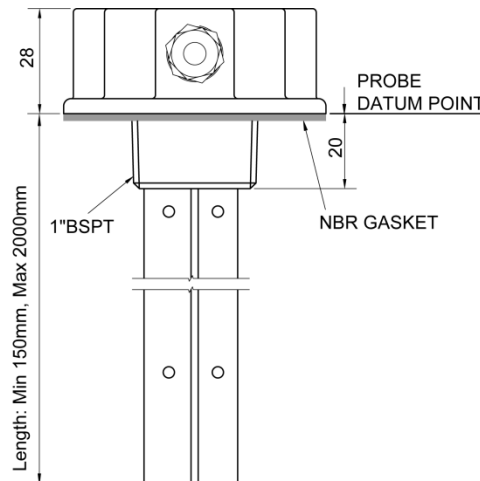
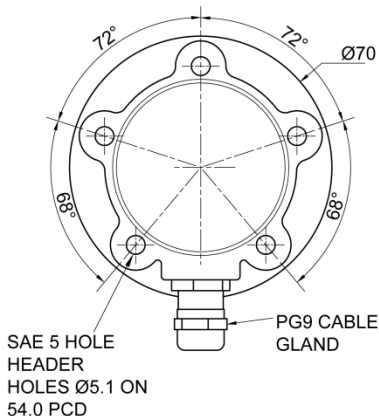
Sealing: IP67
Weight: 300g (10 oz) (1M long unit)
EMC: Type approval in accordance with EN ISO 13766:2006

Max tank pressure: 10 psi (0.75 bar)
Vibration: BS EN 60068-2-64:1993. IEC 60068-2-6*

Options:

Alarm: One position at either high or low level. High level will switch to ground above level, low level will switch to ground below level. Max load 100mA

Connections: Any suitable customer specified receptacle can be fitted



* Vibration testing	
Frequency	G2/Hz
10	0.005
150	0.020
220	0.010
350	0.002

Model variant table	
Model No	Output
T/LL350	Resistive
T/LL351	Voltage
T/LL352	Current
T/LL353	Resistive + alarm
T/LL354	Voltage + alarm
T/LL355	Current + alarm

Available From:



GTS Gauges Transmitters Switches Pty Ltd

6 Dayana Close Midvale WA 6056

Ph: 08 9250 4400 Fax: 08 9250 4500

sales@gtsgauges.com.au www.gtsgauges.com.au