

MTM5581 Intelligent Temperature Switch

Features

- Temperature measurement for gas and liquid
- Optional for PNP , voltage and current output
- Peak value display
- Ranges drift function
- PNP switch point setting, time delay setting for action
- Modbus communication
- OLED display
- Environment reference temperature display
- Display rotate 180°
- Body rotate 330°
- Change-over of different units: °C or °F



Introduction

MTM5581 is an intelligent temperature switch combining temperature measurement, local display and control together. It uses advanced industrial-grade MCU as core and high accuracy PT100 temperature sensor as sensing element. MTM5581 has quick response, high accuracy and stable performance. It can be widely used for equipment matching and temperature measurement and control in industrial process or lab etc..

MTM5581 is able to visually process the process temperature and switch contacts status through switch output, analog output and display screen. It has various output signals for different application. MTM5581 switch has functions such as time delay setting, ranges drift setting (scales: 25%~100%FS), The body can rotate 330°; display can rotate 180° in order for viewer to face up to the display screen. OLED display is very clear to read. With special designation and construction, it has two construction: integrated and separated. Both are easy for installation.

Specifications

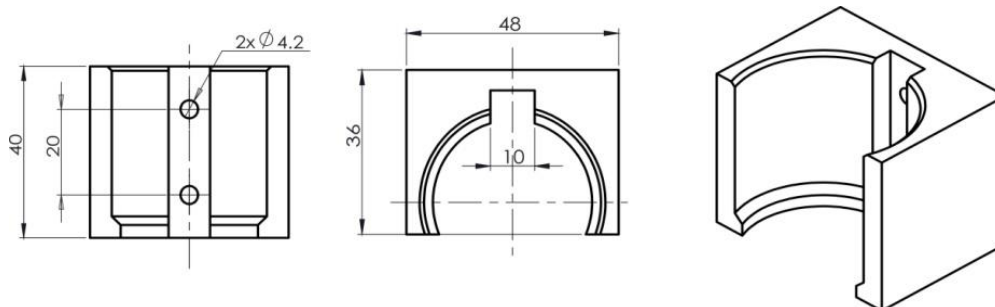
| | |
|---|--|
| Range: -50°C~200°C (-58°F~392°F) Range drift: 25%FS~100%FS Accuracy: ±1.0°C(±2.0°F) Resolution: 0.1°C Power supply: 12V~30VDC Sealing: PTFE gasket Thermal drift: ±0.15%/10K Response: about 50mS | Outputs: 2 switches + voltage output: 2×PNP + 0V~5VDC/10VDC 2 switches + current output: 2×PNP + 0mA/4mA~20mADC Switch current:1.0A(Max.) Switch reaction: <10ms Switch time delay: 0.0s~99.9s Switch action pattern:Hys.Mode/Win.Mode |
| Screen display: Blue 128×64 OLED Switch display: 2 red LED Display units: °C °F Key: 3 silicone rubber keys, please operate according to instructions on the screen. Main screen: measured media temperature Sub screen: environment temperature® Peak display: Temperature peak in process | Media Temperature: -50 °C~200 °C Environment Temperature: -20 °C~80 °C Storage Temperature: -40 °C~80 °C Relative Humidity: 0%~85% EMC: GB/T 17626.2/3/4-2006 Shock:≤10g/10Hz...500Hz(IEC 60068-2-6-2007) Impact: ≤50g/11ms(IEC 60068-2-27-2008) Protection: IP65 |

Pipe and housing: SS
 Contact media material: SS
 Display board: PMMA
 Sealing: PTFE gasket
 Sensing element: PT100
 Electric connection: M12×1 round plug
 Pressure connection: M20x1.5male
 Gross weight: 300g (integrated)
 580g (separated)

Outline Construction and Display

| Integrated Construction | Separated Construction | Forward up display |
|-------------------------|------------------------|--------------------|
| <p>Unit: mm</p> | | |

MS801 mounting bracket (optional components):



Note: MCU core working temperature is for reference.

Ranges Drift

MTM5581 is able for ranges drift between 25%FS and 100%FS. Analog output changes along with range scale. And also, analog output can be reversal. E.g, 4mA~20mAADC can be changed into 20mA~4mA; 0V~5VDC to 5V~0VDC. Take -50°C~200°C current output as an example:

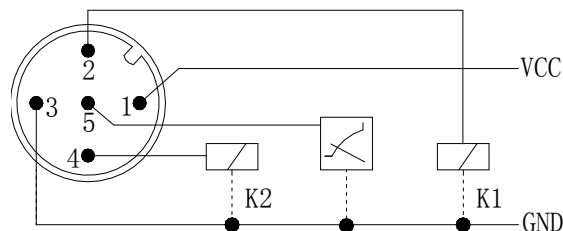
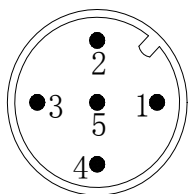
| Range | Range Drift percent | New range | New range scale | |
|--------------------------|---------------------|--|--|--|
| -50°C~200°C ^① | 25%FS ^② | 62.5°C ^② | -50°C~12.5°C ^③ 12.5°C~75°C ^③ 75.5°C~138°C 137.5°C~200°C | |
| | 50%FS | 125°C | -50°C~75°C 15°C~140°C 75°C~200°C | |
| | 75%FS | 187.5°C | -50°C~137.5°C 12.5°C~200°C | |
| | 100%FS | 250°C | -50°C~200°C | |
| -50°C~200°C ^① | 25%FS ^② | 62.5°C ^② reversal output | 12.5°C~75°C ^④ | |

Note: Accuracy will decrease for ranges drift.

Electric Connection

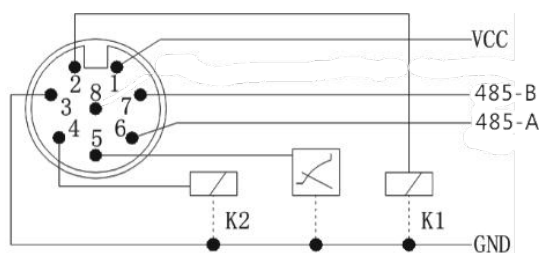
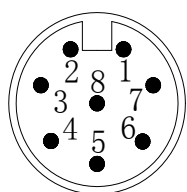
(1)5-pin plug pin definition and wire connection:

| Wire | Color | 2×PNP+ Voltage | 2×PNP+ Current |
|------|--------|----------------|----------------|
| 1 | Red | VCC | |
| 2 | Yellow | K1- Output | |
| 3 | Black | GND | |
| 4 | Blue | K2-Output | |
| 5 | Green | 0V~5/10V | 0/4mA~20mA |



(2) 8-pin plug pin definition and wire connection:

| Code | Wire color | 2×PNP+ Voltage | 2×PNP+ Current |
|------|------------|----------------|----------------|
| 1 | Red | VCC | |
| 2 | Yellow | K1- Output | |
| 3 | Black | GND | |
| 4 | Blue | K2-Output | |
| 5 | Green | 0V~5/10V | 0/4mA~20mA |
| 6 | Brown | 485-A | |
| 7 | White | 485-B | |
| 8 | - | | |



Switch Action :

| Hys. Mode | Win. Mode |
|---|--|
| | |
| <p>① Action Value ② Release Value ③ Difference between ① and ②/hysteresis ④ Output status of NO ⑤ Output status of NC</p> | <p>① Upper action value ② Lower action value ④ Output status of NO ⑤ Output status of NC</p> |
| <p>Setting range for switch points: Action Value: -46.25°C~200°C Release Value: -47.5°C~198.75°C Action Value-Release Value≥1.25°C</p> | <p>Switch point setting ranges: Upper Action Value: -46.25°C~200°C Lower Action Value:-47.5°C~198.75°C Upper Action Value-Lower Action Value≥1.25°C</p> |
| <p>Switch action time delay can be set: 0.0s~99.9s</p> | |

Optional Components

| | |
|-------|--|
| MS801 | Mounting Bracket |
| MS901 | 2m RVVP cable with 5-pin M12X1 female right angle plug |
| MS902 | 2m RVVP cable with 8-pin M12X1 female right angle plug |

Order Guide

| | | | | | | |
|---------|--|---|----------------|----|----------------|-----------------|
| MTM5581 | Intelligent Temperature Switch (-50°C ~ 200°C) | | | | | |
| | Code | Construction | | | | |
| | Null | Integrated construction | | | | |
| | F | Separated construction | | | | |
| | Code | Output | | | | |
| | 2KV | 2×PNP+0V~5/10VDC | | | | |
| | 2KA | 2×PNP+0/4mA~20mADC | | | | |
| | Code | Thread | | | | |
| | C1 | M20x1.5 male | | | | |
| | C3 | G1/2 male | | | | |
| | Code | Probe length (mm) | | | | |
| | L | L: 20、100、200 (200only for separate construction) | | | | |
| | Code | Others | | | | |
| | R5 | 5-pin M12X1 male plug | | | | |
| | R8 | 8-pin M12X1 male plug for Modbus communication | | | | |
| MTM5581 | F | 2KA | C ₁ | 20 | R ₅ | the whole spec. |

Notes

1. MTM5581 standard electric connection is 5-pin M12X1 male plug without Modbus communication.
2. Thread can be customized according to user's request. Please make clear note in purchase order.
3. If users have special request for specifications and functions, please contact our company.