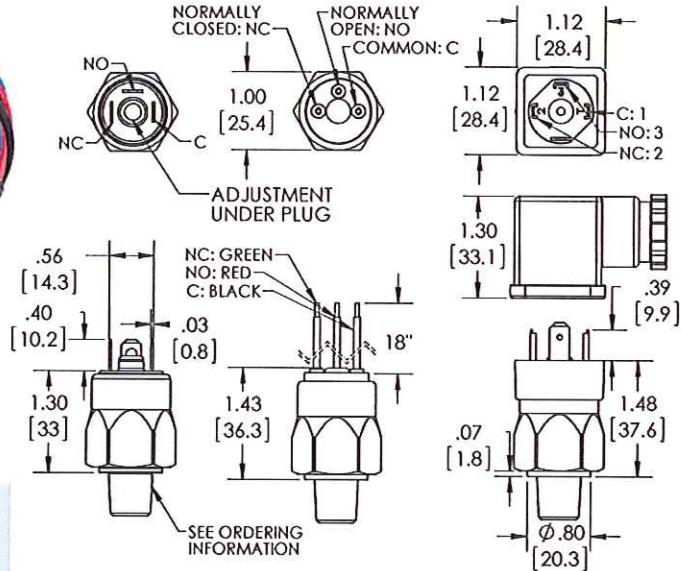
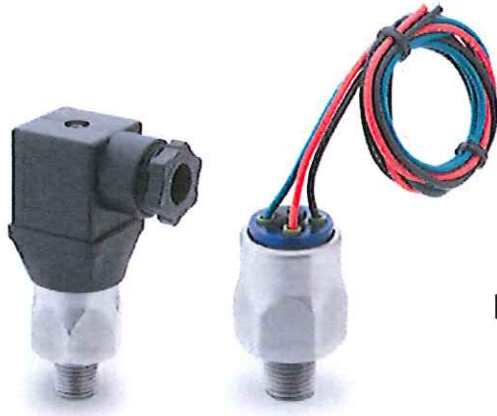




# APA/APF Pressure Switch

## Low Pressure



Color coded top cap for identification of the switch circuit.  
**A - RED, SPST / NO**    **B - GREEN, SPST / NC**    **C - BLACK, SPDT**

Model	Adjustment Range		Average Differential	
	PSI	Bar	PSI	Bar
1	3 - 20	0.2 - 1.4	2 - 5	0.13 - 0.4
2	15 - 80	1.03 - 6	4 - 7	0.27 - 0.5
3	40 - 135	2.7 - 9.3	7 - 10	0.5 - 0.7

<b>ELECTRICAL:</b> 3 AMP - 12/24 VDC - 125/250 VAC Gold contacts may be required for less than 12 VDC and 20 milliamp 5 AMP Optional	<b>PROTECTION:</b> IP67 except exposed terminals - IP00	<b>MECHANICAL LIFE:</b> 1,000,000 cycles
<b>SWITCH TYPE:</b> Snap Action	<b>WEIGHT:</b> 0.15 LBS (0.07 kg)	<b>MAXIMUM OVERPRESSURE:</b> 1000 PSI (70 Bar)
<b>TEMPERATURE RANGE:</b> Buna -N: 15° to +230°F (-10° to 110°C) EPDM : -10° to +250° F (-23° to 121°C) KAPTON®: -40° to +230° F (-40° to 110°C) VITON®: 0° to +250° F (-18° to 121° C) (® Registered Trademark of DuPont)	<b>WETTED MATERIAL:</b> Diaphragm: Buna-N Standard (optional EPDM, KAPTON®, and VITON®) Housing: Electroless Nickel Plated Steel (optional 316 SS)	<b>REPEATABILITY:</b> ± 2% of full set point range at 70° F (20° C) Ambient Temperature

### ORDERING INFORMATION

APA	- * 2	- * R	- 4M	- A	- FL	- * 1
Model	Set Point	Direction	Port Size	Circuit	Terminal	Options
APA - Field Adjustable	See Above Adjustment Ranges	R - PSI Rising F - PSI Falling BR - Bar Rising BF - Bar Falling	2M - 1/8 NPT* 4M - 1/4 NPT* 2G - 1/8 BSPP 4G - 1/4 BSPP 4S - 7/16 X 20* SAE MALE 6S - 9/16 X 18 SAE MALE	A - SPST / NO B - SPST / NC C - SPDT	SP - 1/4" x 1/32" Spade TS - 6-32 Terminal Screws FL - 18" Flying Leads WTF - Weatherpack Tower Female WTM - Weatherpack Tower Male WSF - Weatherpack Shroud Female WSM - Weatherpack Shroud Male H - DIN 43650A Male Half Only HC - DIN 43650A Cable Clamp HN - DIN 43650A 1/2 Conduit (female) DR - Deutsch Receptacle DP - Deutsch Plug DI - Deutsch Integral (APF Model Only)	* - Omit If Standard 1 - VITON® Diaphragm 2 - EPDM Diaphragm 3 - KAPTON® Diaphragm 4 - 316 SS Housing 6 - Oxygen Cleaned 7 - Gold Contacts 9 - 5 AMP Rating 10 - Brass Housing 11A - DIN Light NO/NC 110V 11B - DIN Light NO/NC 12VDC 11C - DIN Light NO/NC 24VDC 11D - Indicating Light
APF - Factory Set	* Model APF Specify Set Point Required	*Omit For Model APA	Metric Available by Special Order * Denotes Standard			

# GTS GAUGES TRANSMITTERS SWITCHES