

## Heavy Duty pressure gauges

**Nominal size ND (4,5 inch)**

**Connection position bottom, radial**

**Accuracy 0,5 % ASME B40**



### Description

Pressure gauges of the comprehensive Heavy Duty range are manufactured on the basis of the modular construction system which brings advantages of quality and price. The gauges can be used in all applications where particular importance is attached to measuring accuracy, reproducibility and long-term stability. They can be used with liquid or gaseous media which are not highly viscous or crystallize. A wide range of options enables the user to adapt the gauges to his own special requirements.

All Heavy Duty pressure gauges comply with general international recommendations for measuring systems and take requirements for specific applications and technical standards into consideration. (to EN837-1)

### Special features

- o Inexpensive and reliable due to modular construction system
- o Accuracy class 0.5 % ASME B40
- o Stainless steel measuring system
- o Application up to end of scale value
- o Overload capacity 1.3 x
- o Protection to IP 65

### Measuring ranges

min. 0....1 bar ( 15 psi)


max. 0....1000 bar ( 15.000 psi)

### Applications

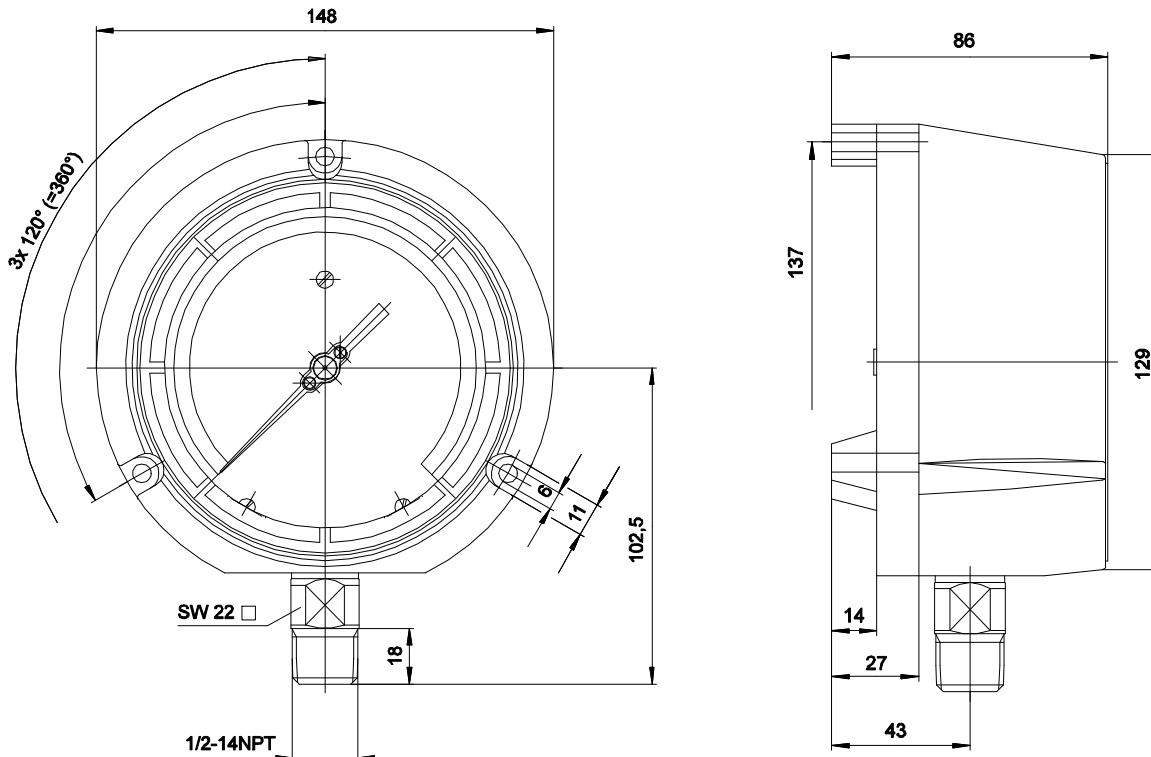
Mechanical engineering and apparatus construction  
 automotive engineering,  
 power supply, testing and monitoring systems

**Model: P2119**

## Technical Data

Model	P2119	Options
Size	4.5 inch	
Symbol		
Accuracy	0.5 % acc. ASME B40	
Ranges	min 0...1 bar (15 psi) max 0...1000 bar (15000 psi) pressure, vacuum or compound	
Applications	Constant load: Full scale value Alternating load: 90 % of full scale value Short-time: 1.3 x full scale value	
Socket	Stainless steel (AISI 316 L)	Monel 400
Thread	1/2 NPT, acc. ANSI B1 or 1/4" NPT	
Connection	Bottom radial	
Measuring element	Up to 40 bar: (AISI 316 L) bourdon tube C-shape 60 bar and up: (AISI 316 L) bourdon tube coil type	Monel K500
Movement	Stainless steel	
Dial	Aluminium, white with black imprint	
Pointer	Aluminium, black, with micro-adjustment	
Case	Black thermoplastic (POCAN) current style with blow out back	
Window	Acrylic (PMMA)	Safety glass
Bezel	threaded black thermoplastic (POCAN)	
Temperatures Medium Ambient	$T_{min}$ : -20°C; $T_{max}$ 100°C $T_{min}$ : -25°C; $T_{max}$ 60°C	
Temperature drift	0,4 % / 10K if deviation from normal temperature +20°C	
Protection	IP 54 acc. to EN 60529 / IEC 529	IP 65 acc. EN 60529 / IEC 529

## Dimensions



Modifications reserved