

PROGRAMMING OF GTSX500001 PANEL MOUNT DISPLAY TO 4-20mA PRESSURE SENSOR

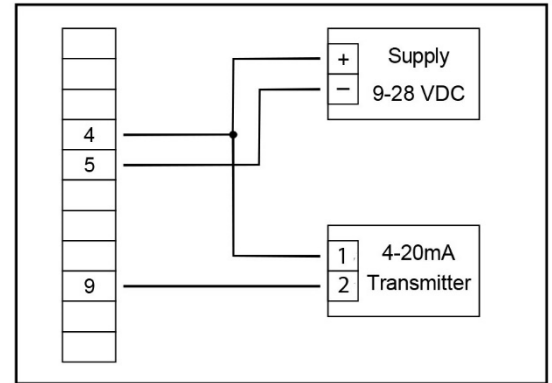
The **FIRST THING** you must understand is this display **DOES NOT** know what you are connecting it to!

The **2 important bits of information you need to tell the display are;**

- What signal you are giving it?
- What does that signal represent (range)?

Correct wiring

1. Signal +ve of the supply to connector 4 of display & pin 1 of transducer.
2. Signal -ve of the supply to connector 5 of display.
3. Connect pin 2 of transducer to connector 9 of display.



Setting up transducer output to display desired value

- Remove red front cover from display.
- PRESS & HOLD Button 2 (MIDDLE) for more than 2 seconds**
 - 'InP' (input) will display
 - Use Button 2 or 3 to select, 'I'
 - Press Button 1 to set
 - Press Button 1 again to display, 'SEnS' to select input range
 - Press Button 2 or 3 & select, '4- 20',
 - Press Button 1 to set
 - Press Button 1 again to display 'dp'
 - Press Button 2 or 3 to select Decimal Point placement,
 - Press Button 1 to set
 - Press Button 1 again to display, 'diLo', (4mA value)
 - Press button 2 or 3 & select '0'
 - Press Button 1 to set
 - Press Button 1 again to display, 'diHi', (20mA value i.e., max range).
 - Press Button 2 or 3 & HOLD to select required figure
 - Press Button 1 to set
 - Press Button 1 again to display, 'Li', (Measuring Range Limit)
 - Press Button 2 or 3 & select, 'on.rG'
 - Press Button 1 to set, Press Button 1 again, then again to complete.

