



US00D873493S

(12) **United States Design Patent**  
**Geisinsky et al.**

(10) **Patent No.:** **US D873,493 S**

(45) **Date of Patent:** **\*\* Jan. 21, 2020**

(54) **WIG GRIP BAND**

*Primary Examiner* — Zenia I Bennett

(71) Applicant: **NG Imports, Inc.**, Long Beach, CA  
(US)

(74) *Attorney, Agent, or Firm* — Lance M. Pritikin

(72) Inventors: **Yehudis Geisinsky**, Long Beach, CA  
(US); **Yitzchok Geisinsky**, Long Beach,  
CA (US)

(57) **CLAIM**

(73) Assignee: **NG Imports, Inc.**, Long Beach, CA  
(US)

The ornamental design for a wig grip band, as shown and described.

(\*\*) Term: **15 Years**

(21) Appl. No.: **29/701,813**

**DESCRIPTION**

(22) Filed: **Aug. 14, 2019**

**Related U.S. Application Data**

(63) Continuation of application No. 16/276,579, filed on  
Feb. 14, 2019.

(51) **LOC (12) Cl.** ..... **28-04**

(52) **U.S. Cl.**  
USPC ..... **D28/93; D28/41**

(58) **Field of Classification Search**  
USPC ..... D28/21-34, 39-43, 92, 93; D2/871-875;  
D24/191

(Continued)

(56) **References Cited**

**U.S. PATENT DOCUMENTS**

3,474,798 A 10/1969 Tillotson  
3,788,332 A 1/1974 Abbott et al.

(Continued)

**FOREIGN PATENT DOCUMENTS**

GB 1388300 3/1975

**OTHER PUBLICATIONS**

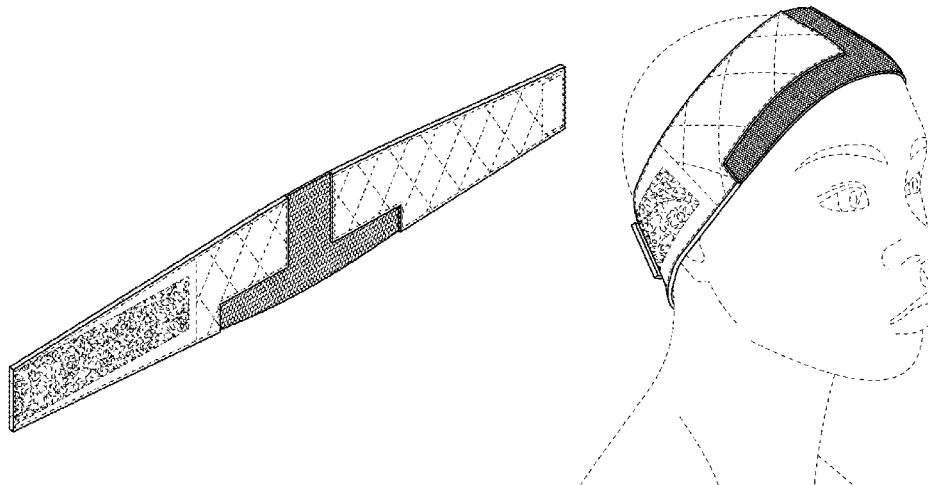
GB Design Registration No. 4035095, entitled "Head band with wireless communication device built in"; Publication date Apr. 24, 2014; Registration owner: Bluefingers Laboratories Europe Limited.

(Continued)

FIG. 1 is a front perspective view of a first embodiment of a wig grip band, showing my new design; FIG. 2 is a front elevational view thereof; FIG. 3 is a rear elevational view thereof; FIG. 4 is a left side elevational view thereof; FIG. 5 is a right side elevational view thereof; FIG. 6 is a top plan view thereof; FIG. 7 is a bottom plan view thereof; FIG. 8 is a further front perspective view thereof, wherein the wig grip band is shown deployed on the head of a wearer; FIG. 9 is a rear perspective view thereof, wherein the wig grip band is shown deployed on the head of a wearer; FIG. 10 is a front perspective view of a second embodiment of a wig grip band, showing my new design; FIG. 11 is a front elevational view thereof; FIG. 12 is a rear elevational view thereof; FIG. 13 is a left side elevational view thereof; FIG. 14 is a right side elevational view thereof; FIG. 15 is a top plan view thereof; FIG. 16 is a bottom plan view thereof; FIG. 17 is a further front perspective view thereof, wherein the wig grip band is shown deployed on the head of a wearer; and, FIG. 18 is a rear perspective view thereof, wherein the wig grip band is shown deployed on the head of a wearer.

The broken lines in FIGS. 1-18 are for the purpose of illustrating portions of the wig grip band and environmental structure that form no part of the claimed design.

**1 Claim, 10 Drawing Sheets**



(58) **Field of Classification Search**  
 CPC ... A45D 8/00; A45D 8/34; A41G 3/00; A41G  
 3/0008; A41G 3/0016; A41G 3/0041;  
 A41G 3/0058; A41G 3/0091  
 See application file for complete search history.

2014/0202481 A1 7/2014 Sato et al.  
 2014/0251362 A1 9/2014 Lee  
 2015/0013708 A1 1/2015 Chamberlain  
 2015/0128979 A1 5/2015 Suh  
 2015/0327609 A1 11/2015 Suh  
 2017/0095026 A1 4/2017 Chung  
 2018/0007988 A1 1/2018 Kim et al.

(56) **References Cited**

U.S. PATENT DOCUMENTS

4,155,370 A 5/1979 Nemoto  
 D333,013 S 2/1993 Scianna  
 5,806,535 A \* 9/1998 Becker ..... A41G 3/0016  
 132/53  
 6,352,079 B1 3/2002 Bate  
 D475,140 S \* 5/2003 Anderson ..... D24/191  
 D519,639 S \* 4/2006 Follman ..... D24/191  
 D556,331 S \* 11/2007 Moore ..... D2/600  
 D583,097 S \* 12/2008 Levering ..... D28/41  
 7,537,014 B1 5/2009 Yoo  
 D644,379 S 8/2011 Vanesse  
 8,261,753 B2 9/2012 Newman et al.  
 D669,633 S 10/2012 Hedgren  
 D712,094 S 8/2014 Branson  
 8,813,761 B2 \* 8/2014 Guliker ..... A41G 5/004  
 132/53  
 D713,534 S \* 9/2014 Manley, Jr. .... D24/189  
 9,027,568 B2 5/2015 Lee  
 9,107,460 B1 8/2015 Synn et al.  
 2003/0029467 A1 2/2003 Katon  
 2003/0131861 A1 7/2003 Prestia  
 2004/0149299 A1 8/2004 Kim  
 2011/0073122 A1 3/2011 Shigematsu  
 2013/0019889 A1 1/2013 Palmer-Rogers

OTHER PUBLICATIONS

JP Design Registration No. D1379926, entitled "Retention band which is something which", Publication date Feb. 15, 2010; Registration owner: Brain Ltd.  
 JP Design Registration No. D1391781, entitled "Hair Band"; Publication date Jul. 5, 2010; Registration owner: Sante Professional Corporation.  
 JP Design Registration No. D1586936, entitled "Head band"; Publication date Oct. 2, 2017; Registration owner: Takayuki Onuma.  
 KR Design Registration No. 3002983000000, entitled "Cold Pack Pack Band"; Publication date May 17, 2002; Applicant: Lee Seong Hoon.  
 KR Design Registration No. 3005060070000, entitled "Perfume Blocking Hair Band"; Publication date Sep. 17, 2008; Applicant: Jeong, Myoung-Seok.  
 KR Design Registration No. 3006686140001, entitled "Hair Band"; Publication date Nov. 22, 2012; Applicant: J&J USA Co. Ltd.  
 Title: "Discover ideas about U part wig"; URL: <https://www.pinterest.com/pin/630644754049080146/>; Published date: Feb. 2019.  
 Title: "Milano Collection Original WiGrip Wig Comfort Band"; URL: <http://www.mewigs.com/wigrip.html>; Published date: Sep. 22, 2017.

\* cited by examiner

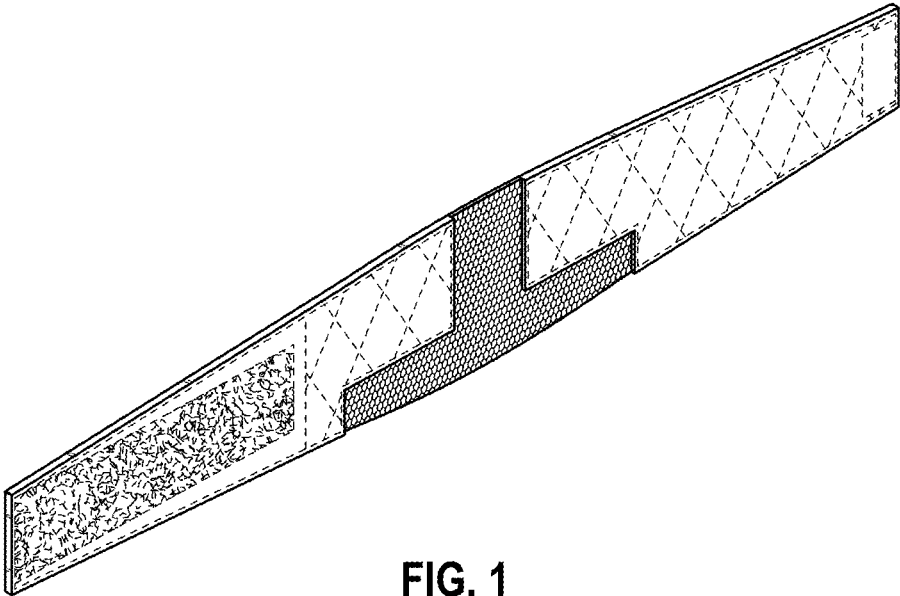


FIG. 1



FIG. 2

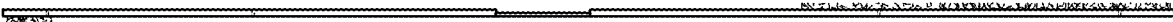


FIG. 3

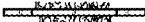


FIG. 4

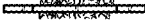


FIG. 5

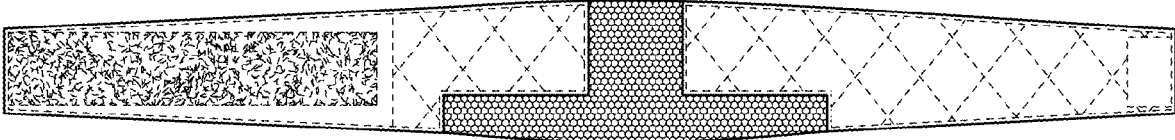


FIG. 6

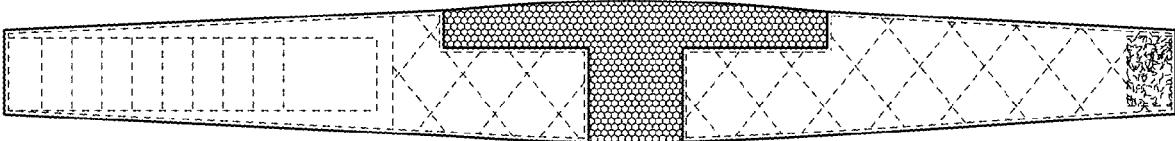


FIG. 7

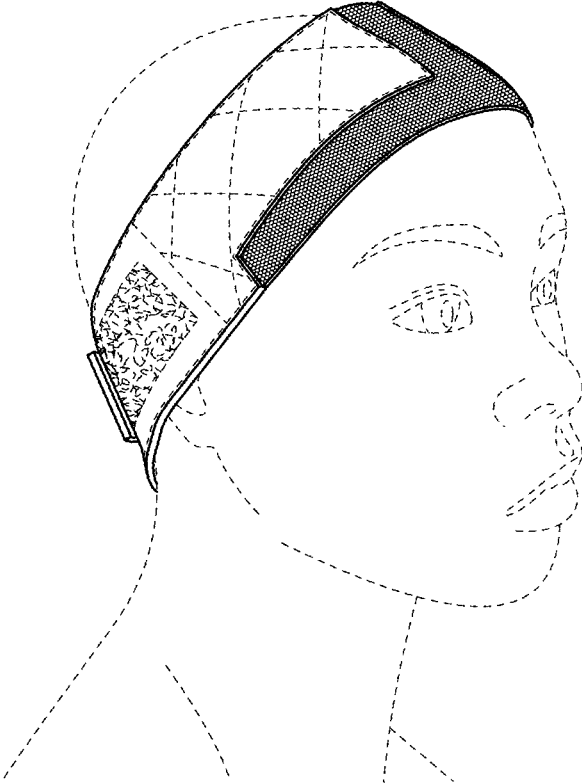


FIG. 8

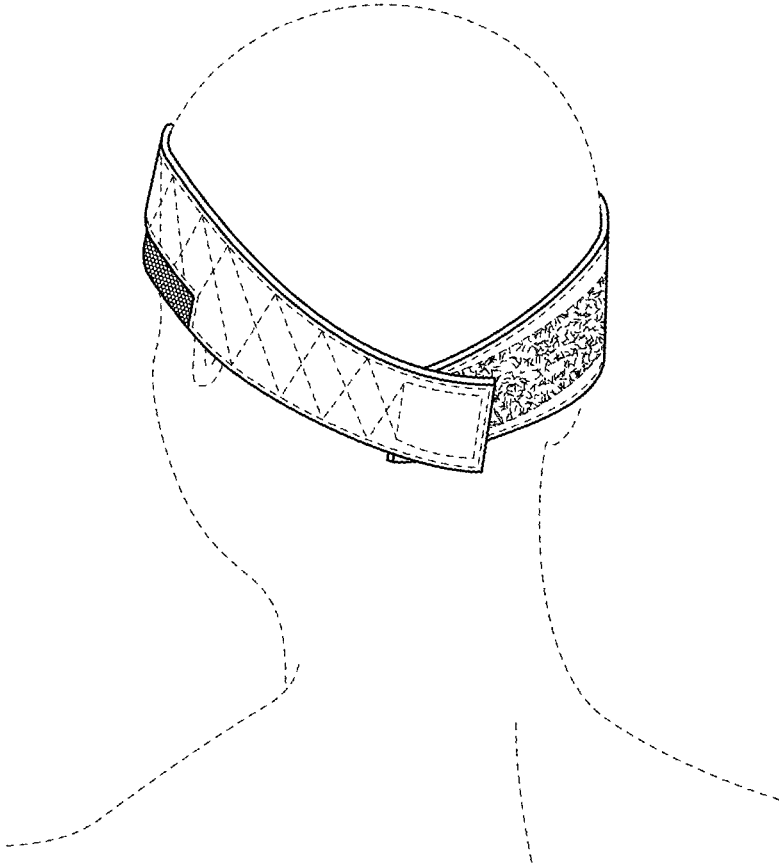


FIG. 9

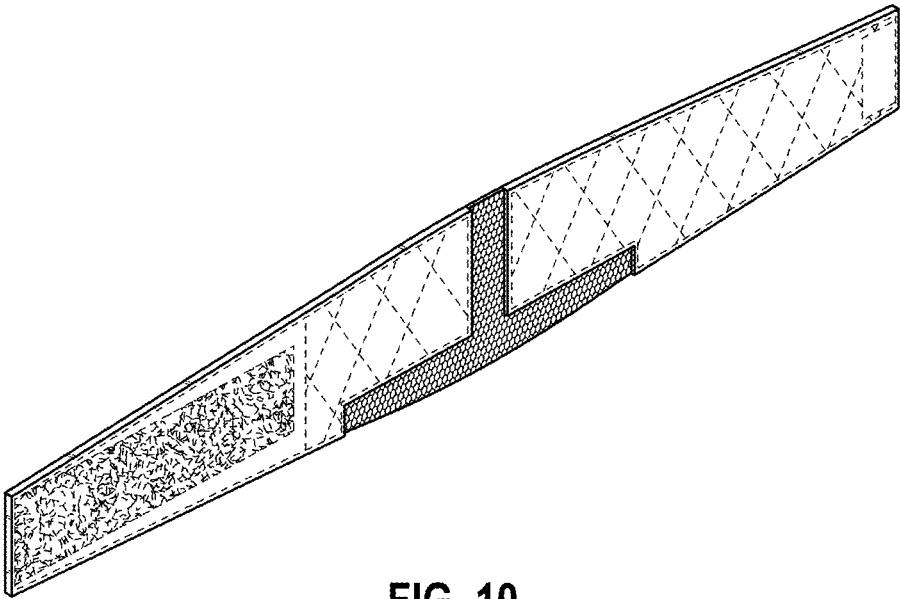


FIG. 10





FIG. 11

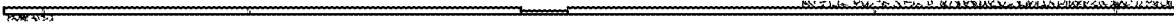


FIG. 12

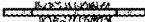


FIG. 13

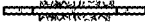


FIG. 14

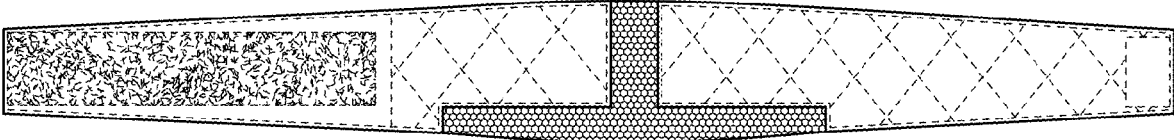


FIG. 15

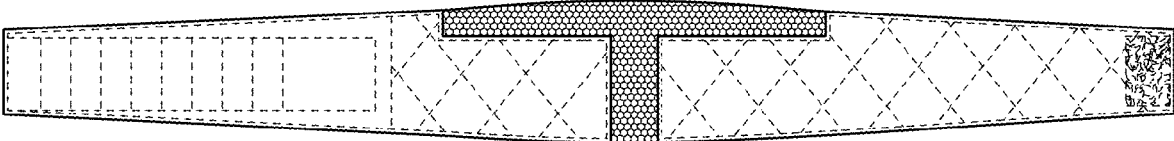


FIG. 16

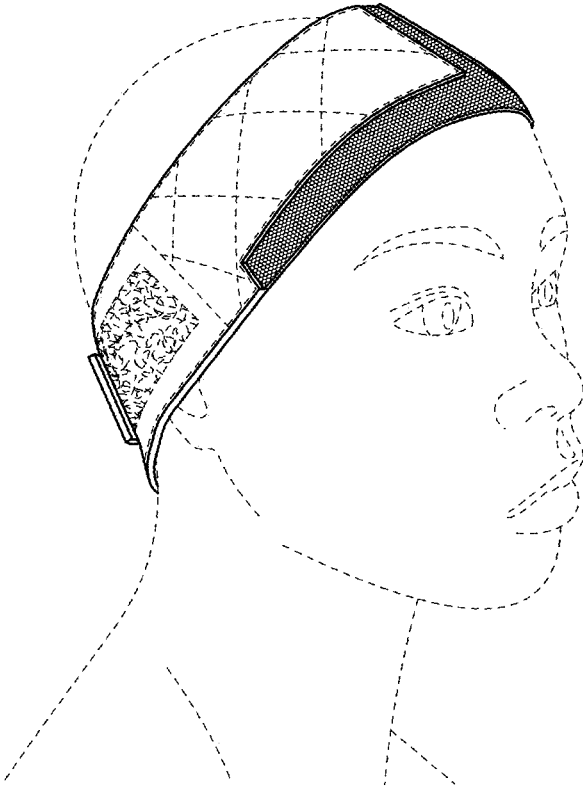


FIG. 17

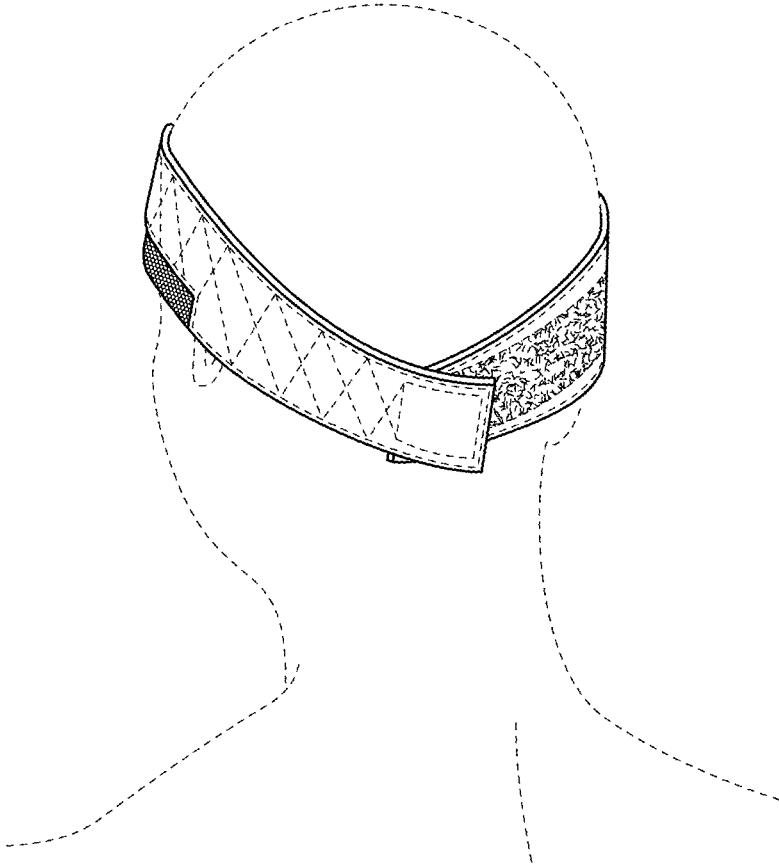


FIG. 18