



DC212D2
12-INCH SUBWOOFER
DUAL 2 OHM VOICE COILS

DC212D4
12-INCH SUBWOOFER
DUAL 4 OHM VOICE COILS

Specifications

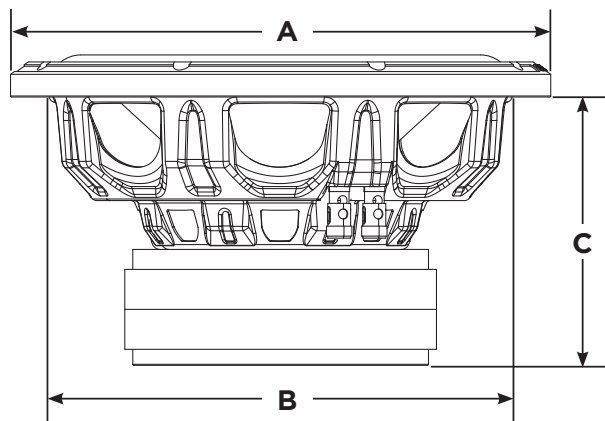
MODEL	DC212D2	DC212D4
Nominal Impedance (Z)	1.8 ohms	3.2 ohms
DC Resistance (Re)	3.6 ohms	6.4 ohms
Resonance Frequency (Fs)	36.2380 Hz	31.645 Hz
Piston Area (Sd)	0.0471 m ²	0.0471 m ²
Force Factor (BL)	21.7424 T.m	27.0326 T.m
Mechanical Q Factor (Qms)	8.9256	6.7714
Electrical Q Factor (Qes)	0.4997	0.4433
Total Q Factor (Qts)	0.4732	0.4161
Sensitivity 1W/M (SPL)	84.9847	85.4553
Mechanical Compliance (Cms)	0.0669 mm/N	0.0994 mm/N
Moving Mass (Mms)	288.2100 g	254.5784 g
Linear Excursion (Xmax)	16 mm	16 mm
Volume Acoustic	20.7705 Ltr	30.8356 Ltr
Compliance (Vas)	0.734 cu ft	1.089 cu ft
Reference Efficiency (NO.)	0.19%	0.21%
Nominal Power (Pe)	1000 Watts	1000 Watts
Peak Power	1500 Watts	1500 Watts
Frequency Response	20-200 Hz	20-200 Hz
Voice Coil Diameter	3 in/76.2 mm	3 in/76.2 mm
Displacement	0.1083 cu ft/ 3.066 Ltr	0.1083 cu ft/ 3.066 Ltr

HIGH PERFORMANCE SUBWOOFER

DC2

Dimensions

Overall Diameter (A)	12.72in / 323mm
Cut Out Diameter (B)	11.30in / 287mm
Mounting Depth (C)	6.58in / 167 mm



Enclosure Size (Matters)

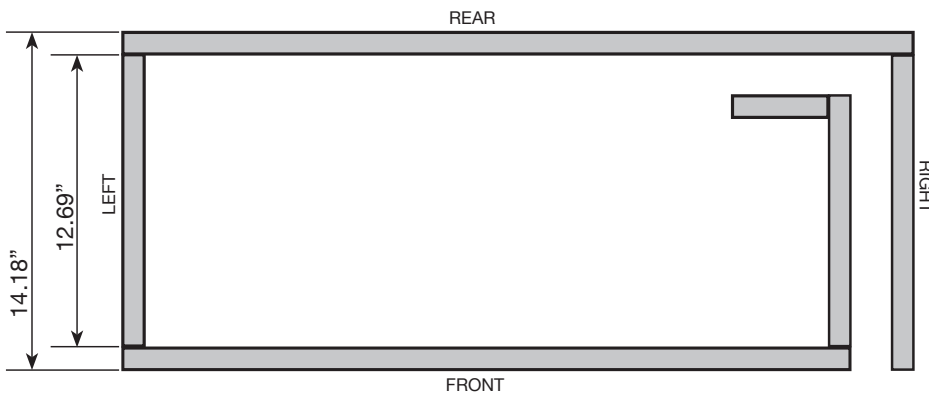
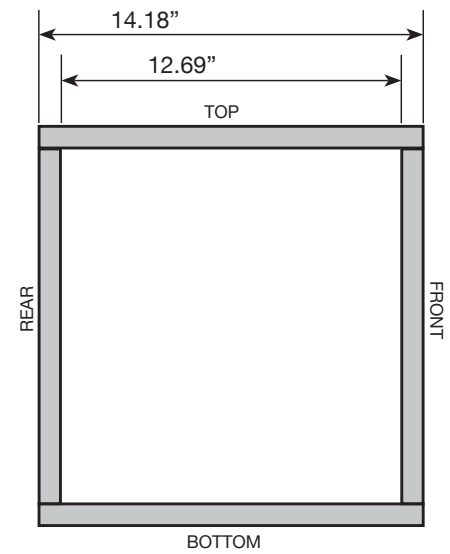
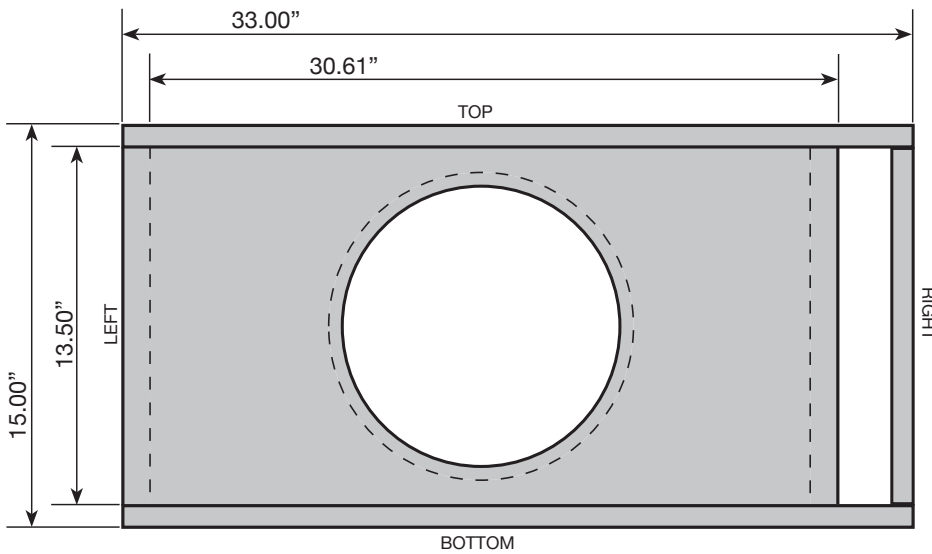
Enclosure is the fancy name for a speaker box. You can go ready-made or build your own. Ported or Sealed. To the right are the recommended enclosure size ranges stated in internal volume. Whether buying pre-made or building, try to stay within these parameters for best performance.

Recommended Sealed Internal Volume	1.40-2.25 cu.ft.
Recommended Vented internal Volume w/o vent displacement	1.3-3.0 cu.ft.
Recommended Vented Area	23 cu.in.
Recommended Tuning Frequency	30-38 Hz

Enclosure Example

If you're going it on your own, here's a good starting point. We recommend using .75" MDF or plywood. Screws or air staples along with strong bonding "yellow" wood working glue for construction. Be sure that the enclosure's panels are airtight at all joining seams. Lining the inside with some poly-fill to finish it off.

External Size	33" x 15" x 14.18"
Material Thickness	0.75"
Net Internal Volume	2.75 ft ³
Tuning Frequency	30 Hz
Port Area	22.10 inch ²
Port Inlet	1.64" x 13.50"
Port Length	18.30"



Material Prep Sheet

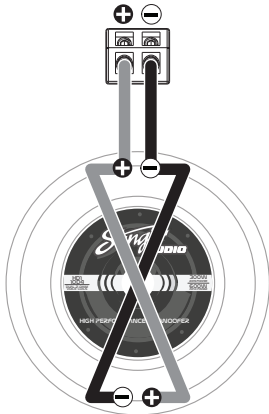
Top / Bottom	33.00" x 14.18"	2
Front	30.61" x 13.50"	1
Rear	33.00" x 13.50"	1
Left	12.69" x 13.50"	1
Right	13.43" x 13.50"	1
Port 1	11.05" x 13.50"	1
Port 2	4.12" x 13.50"	1

* Please note there are no fingers mention in the list above. Cut safe my friends.

Subwoofer Wiring Diagrams

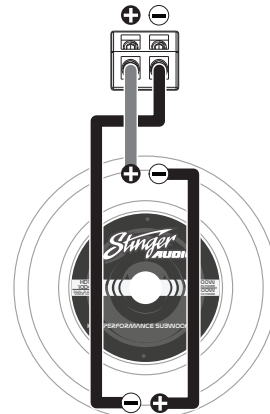
DC2 Subwoofers are Dual Voice Coil (DVC), meaning they have two positive and negative terminals per speaker. The voice coils can be wired in parallel or series or a combination of both. The subwoofer should be wired to match the amplifiers lowest impedance as stated by the amplifier manufacturer. Going below the amplifiers minimum impedance may damage the amplifier, so wire carefully. For wiring subwoofers, we recommend using 12- to 16-gauge wire.

SINGLE SUBWOOFER SYSTEM WIRED IN PARALLEL



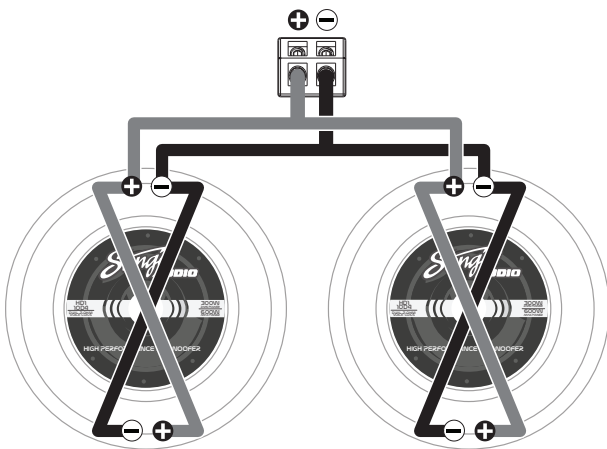
DC212D2 = 1 OHM
DC212D4 = 2 OHM

SINGLE SUBWOOFER SYSTEM WIRED IN SERIES



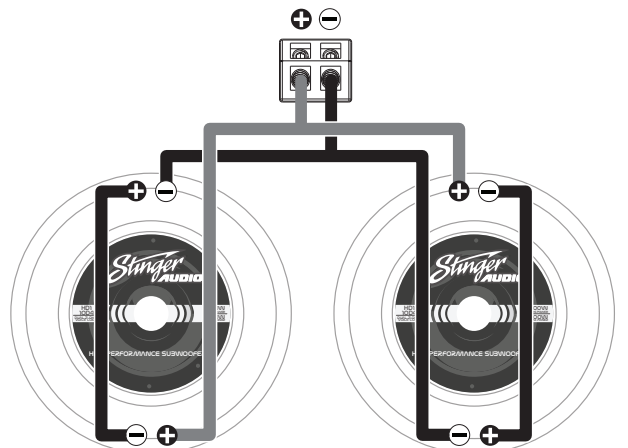
DC212D2 = 4 OHM
DC212D4 = 8 OHM

DUAL SUBWOOFER SYSTEM WIRED IN PARALLEL



DC212D2 = 1/2 OHM
DC212D4 = 1 OHM

DUAL SUBWOOFER SYSTEM WIRED IN SERIES - PARALLEL



DC212D2 = 2 OHM
DC212D4 = 4 OHM

WARNING:

Stinger Audio products are capable of producing sound levels that can permanently damage your hearing! Listen responsibly and avoid continuous exposure to high sound pressure levels. While driving, keep the volume at a level that allows you to hear outside warning sounds (sirens, horns, etc.)

LIMITED WARRANTY

Stinger warrants this product to be free of defects in materials and workmanship for a period of one (1) years from the original date of purchase. This warranty is not transferable and applies only to the original purchaser from an authorized Stinger dealer in the United States of America only. Should service be necessary under this warranty for any reason due to manufacturing defect or malfunction, Stinger will (at its discretion), repair or replace the defective product with new or remanufactured product at no charge. Damage caused by the following is not covered under warranty: accident, misuse, abuse, product modification or neglect, failure to follow installation instructions, unauthorized repair attempts, misrepresentations by the seller. This warranty does not cover incidental or consequential damages and does not cover the cost of removing or reinstalling the unit(s). Cosmetic damage due to accident or normal wear and tear is not covered under warranty.

INTERNATIONAL WARRANTIES:

Products purchased outside the United States of America are covered only by that country's Authorized Stinger reseller and not by Stinger. Consumers needing service or warranty information for these products must contact that country's reseller for information.



Please DO NOT return to seller

For help with installation, replacement parts, warranty or returns, please contact us directly at
727-732-3114 or support@stingerelectronics.com



Stinger is a Power Brand of AAMP Global
15500 Lightwave, Clearwater, Florida 33760
© 2022 AAMP Global
IG-DC212D REV 052422