

WALL SHIELDS

INSTALLATION INSTRUCTIONS

1. Distinguish the front and back of the wall shield. (Fig.1)
2. Draw punch points on the wall according to the punch size. (Fig.2)
3. Apply nail-free glue on the reverse side. (Fig.3)

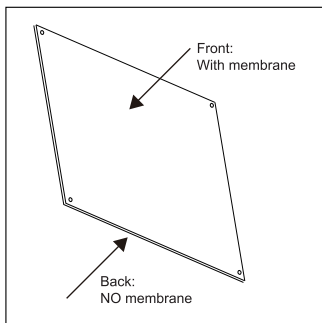


Fig.1

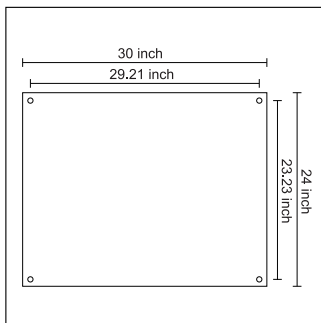


Fig.2

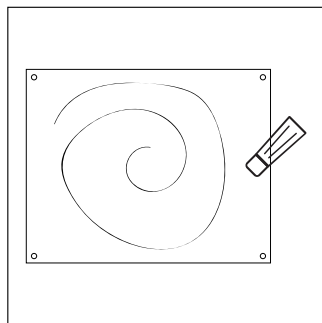


Fig.3

4. Stick the wall shield to the wall, and lock 4 ST4.2*1.2 inch screws into the four corner mounting holes. (Fig.4)
5. Tear off the front stainless steel protective film after installation. (Fig.5)

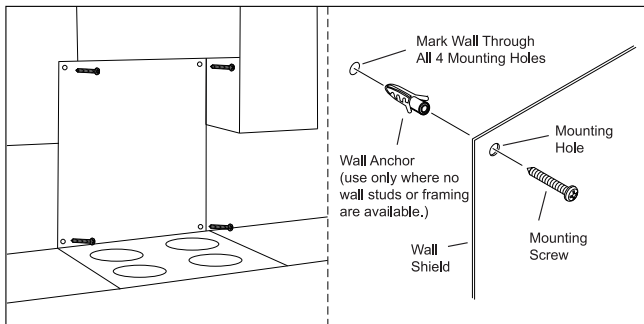


Fig.4

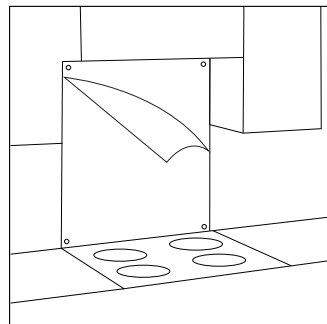


Fig.5