



BUILT-IN GAS COOKTOP

Live Smart, Better Life!

**GHAF302 & GHAS774 & GHAF774
& GHAF775 & GHAF915**

Instruction / Installation Manual

📞 1 (844) 334-4203

🌐 www.thermomate.com

✉ support@thermomate.com

📍 3330-A Marathon Ct Charleston, SC 29418



⚠ WARNING

NEVER use this appliance as a space heater to heat or warm the room, otherwise may result in carbon monoxide poisoning and overheating of the oven.

WARNING: If the information in these instructions is not followed exactly, a fire or explosion may result causing property damage, personal injury or death.

- Do not store or use gasoline or other flammable vapors and liquids in the vicinity of this or any other appliance.
- **WHAT TO DO IF YOU SMELL GAS**
 - Do not try to light any appliance.
 - Do not touch any electrical switch.
 - Do not use any phone in your building.
 - Immediately call your gas supplier from a neighbor's phone.
Follow the gas supplier's instructions.
 - If you cannot reach your gas supplier, call the fire department.
- Installation and service must be performed by a qualified installer, service agency or the gas supplier.

⚠ WARNING

NEVER operate the top surface cooking section of this appliance unattended.

- Failure to follow this warning statement could result in fire, explosion, or burn hazard that could cause property damage, personal injury, or death.
 - If a fire should occur, keep away from the appliance and immediately call your fire department.
- DO NOT ATTEMPT TO EXTINGUISH AN OIL/GREASE FIRE WITH WATER**



Contents

Cooktop Description	04
Technical Data	05
Packing List	05
Installation	06
Positioning For Gas Cooktop	06
Installation Guide	07
Gas Connection	11
Wrong Installation For Gas Cooktop.....	13
Gas Connection And Check	14
Electrical Connection	16
Converting To Type Of Propane	17
Using The Cooktop	19
Regulating The Flame	20
Turning Off	21
Pan Size	21
Cleaning And Maintenance	22
Maintenance And Troubleshooting	24
Warranty	26



 **WARNING**

This appliance can be used by children aged 8 years and above and persons with reduced physical, sensory or mental capabilities or lack of experience and knowledge if they have been given supervision or instruction concerning the use of the appliance in a safe way and understand the hazards involved. Children shall not play with the appliance. Cleaning and user maintenance shall not be made by children without supervision.

If the supply cord is damaged, it must be replaced by the manufacturer. Its service agent or similarly qualified persons in order to avoid a hazard.

The disconnection may be achieved by having the plug accessible or by incorporating a switch in the fixed wiring in accordance with the wiring rules. It is dangerous to store stuff in cabinet areas above appliance rules.

This appliance shall be installed in accordance with the regulations in force and only used in a well-ventilated space.

Read the instructions before installing or using this appliance.

The installation must conform with local codes or, in the absence of local codes, with the National Fuel Gas Code, ANSI Z223.1/NFPA 54 or, in Canada, the Natural Gas and Propane Installation Code, CSA B149.1.

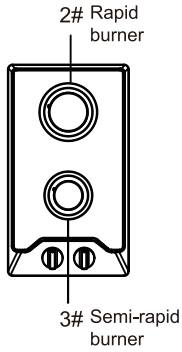
The appliance, when installed, must be electrically grounded in accordance with local codes or, in the absence of local codes, with the National Electrical Code, NFPA 70 or the Canadian Electric Code, CSA C22.1-02.

1. The appliance and its individual shut-off valve must be disconnected from the gas supply piping system during any pressure testing of that system at test pressures in excess of 1/2 psi(3.5 kPa).
2. The appliance must be isolated from the gas supply piping system by closing its individual manual shut-off valve during any pressure testing of the gas supply piping system at test pressures equal to or less than 1/2 ps(3.5 kPa).
3. Maximum gas supply pressure: Propane: 13 in w.c.; NG: 8 in w.c.
4. Recommend Supply pressure for checking regulator setting:
Propane: 11 in wc; NG: 5 in wc.

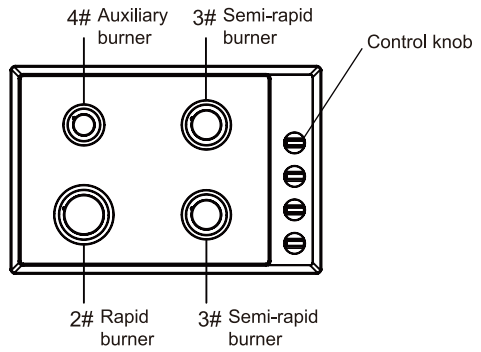


Cooktop Description

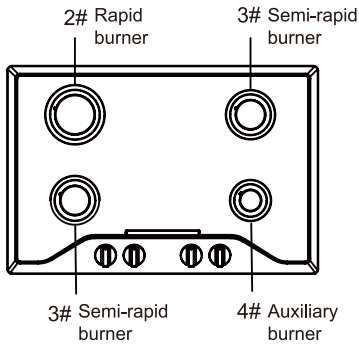
Close-up view



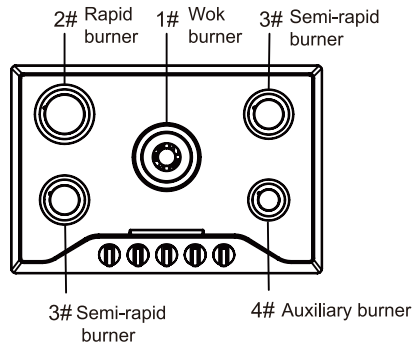
GHAF302



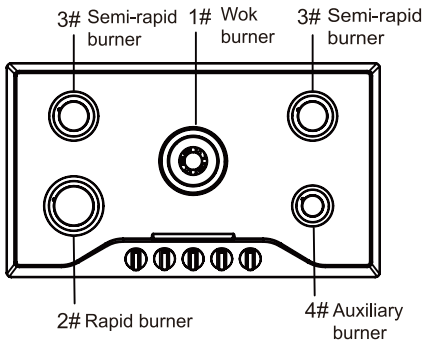
GHAS774



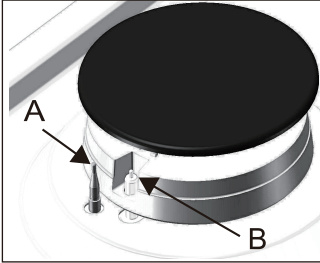
GHAF774



GHAF775



GHAF915



- 1#: Wok burner
(Injector:NG- ϕ 1.80mm/Propane-1.18mm)
 - 2#: Rapid burner
(Injector:NG- ϕ 1.53mm/Propane-0.93mm)
 - 3#: Semi-rapid burner
(Injector:NG- ϕ 1.26mm/Propane-0.79mm)
 - 4#: Auxiliary burner
(Injector: NG- ϕ 0.94mm/Propane-0.62mm)
- A. Safety device - activates if the flame accidentally goes out (spills, drafts, etc.), interrupting the delivery of gas t the burner
- B. Ignition electrode for gas burners

Technical Data

Model	Ghaf302	Ghas774	Ghaf774	Ghaf775	Ghaf915
Electrical supply	120 V/60Hz	120 V/60Hz	120 V/60Hz	120 V/60Hz	120 V/60Hz
Power	0.5W	0.5W	0.5W	0.5W	0.5W
Dimension (mm/inch)	305x533x112 (12x20.98x4.45)	762x510x113 (30x20.08x4.45)	762x510x113 (30x20.08x4.45)	762x510x113 (30x20.08x4.45)	915x525x115 (36x20.67x4.53)
Gas type	Natural gas: Supply pressure: 7 in w.c./Manifold preuusse: 4 in w.c. Propane gas: Supply pressure: 11 in w.c./Manifold preuusse: 10 in w.c.				

Above models: GHAF302, GHAS774, GHAF774, GHAF775, GHAF915; between the models except the knobs are not same, others are same.

Burner configuration

Gas type	NG: Manifold pressure 4 in w.c.		Propane: Manifold pressure 10 in w.c.	
	Injector diameter	Btu/hr	Injector diameter	Btu/hr
Work burner(1#) (Triple ring burner)	1.80mm	13000	1.18mm	15100
Rapid burner(2#)	1.53mm	10300	0.93mm	10300
Semi rapid burner(3#)	1.26mm	7000	0.79mm	7000
Auxiliary burner(4#)	0.94mm	4000	0.62mm	4000



Packing List

Item NO.	Description	Quantity
1	Gas cooktop	1 pcs
2	Burner	1 set
3	Burner cap	1 set
4	Gas regulator	1 pcs
5	Propane injector	1 set
6	Sponge sealing strip	1 pcs
7	Teflon tape	1 pcs
8	Cardboard	1 pcs
9	Instruction manual	1 pcs
10	Installation package: clip x 2 , ST4 screws x 4	1 set

Installation

⚠ WARNING

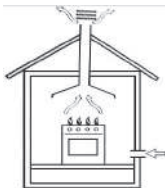
The following instructions are directed at the qualified installer, so the installation and maintenance procedures may be followed in the most professional and expert manner.

Important: Unplug the electrical connection before performing any maintenance or regular upkeep work.

Positioning For Gas Cooktop

The following requirements must be observed:

- The room must be fitted with a ventilation system which ventilates smoke and gases from combustion to the outside of rooms. This must be done by hood or electric ventilator.



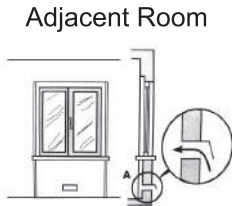
In a chimney stack or branched flue.



Directly to the outside

- b. The room must be allowed for the influx of the air which for proper combustion. The airflow for combustion purposes must not less than 70.6 cu ft/h per kW of installed capacity. The air supply will be affected by influx from the outside through a duct, its inner cross-section is at least 6.1 cu in and must not be blocked accidentally.

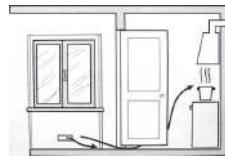
The gas cooktop without safety devices, to prevent flame goes out accidentally, must have a ventilation working on twice volume. For example, a minimum of 12.2 cu in(Fig.5). Otherwise, the room can be vented indirectly through adjacent rooms which is fitted with ventilation ducts to the outside. Although the adjacent rooms are not shared areas, bedrooms, fire risk is hidden(Fig.6).



Adjacent Room
Examples of ventilation holes for comburent air.

Fig.5

Room to be Vented



Enlarging the ventilation slot between window and floor.

Fig.6

- c. Intensive and prolonged working of the gas cooktop that needs to intensify ventilation, e.g. opening windows or increasing the power of the air intake system(if present).
- d. Liquefied petroleum gases are heavier than air, so settle it downward. Rooms in which LPG tanks are installed must be fitted with ventilation to the outside to avoid gas leakage. Therefore, LPG tanks that are empty or partially full, must not be installed or stored in rooms or spaces below ground level (cellars etc.). It is a good idea to keep only the tank which is working currently in the room and make sure that it is not closed to heating source(ovens, fireplaces, stoves, etc.).

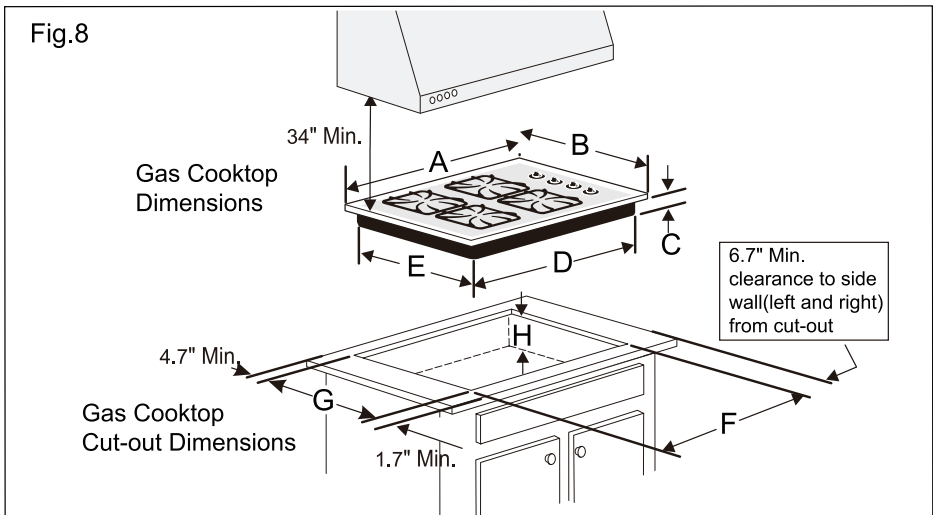
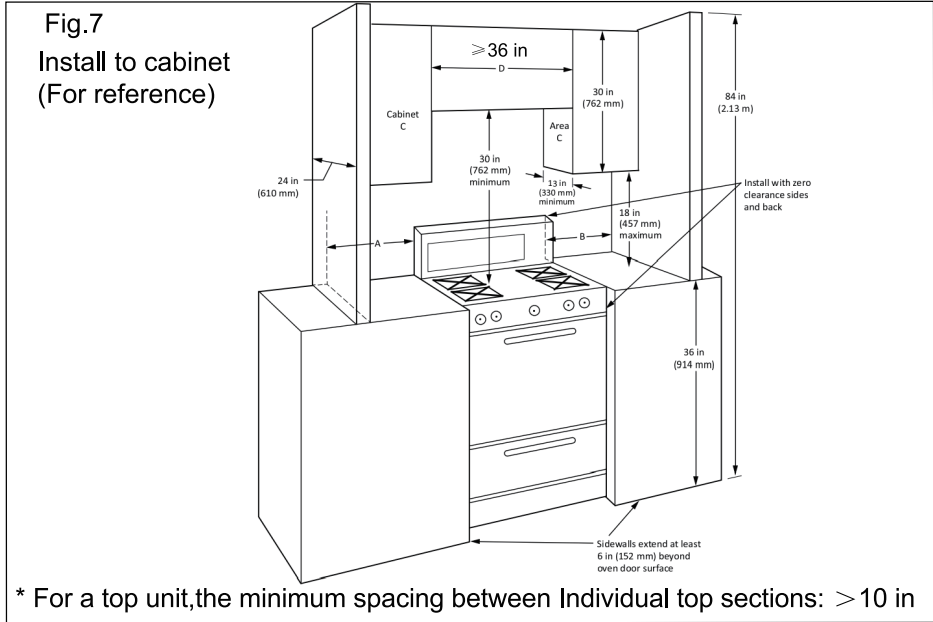
Installation Guide

The gas cooktops are designed with protection degree against excessive heating, the appliance can be installed next to cabinets, and the height should not exceed the cooktop. For a correct installation, the following precautions must be followed:

- a. The cooktop may be located in a kitchen, a diner or bed/ sitting room, but not in a bathroom or shower room.
- b. The furniture standing near to the unit higher than the working boards,

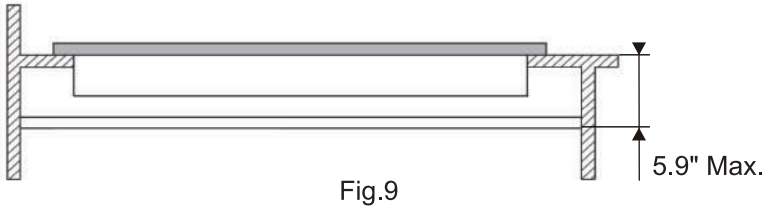


- must be placed at least 4.3" distance to the edge of the board.
- The cupboard should be positioned near to the worktop at a height of 18" at least(Fig.7).
 - Cooktop should be installed directly under the hood, the hood should be at least 34" from the cooktop(Fig.8).

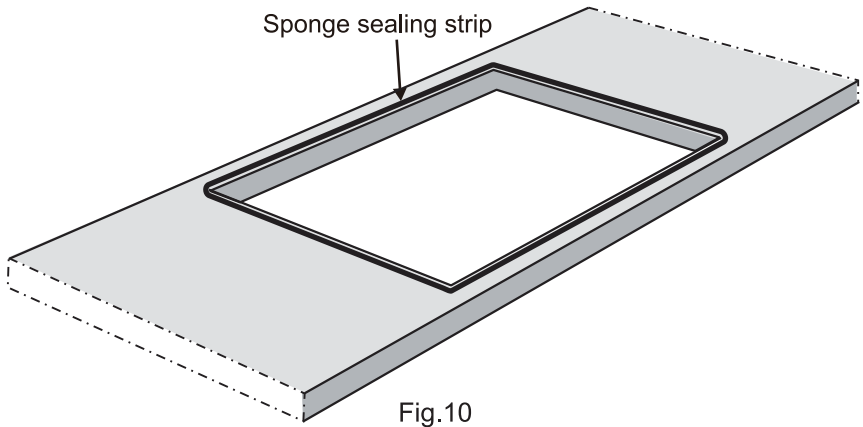


Product Dimensions(inch/mm)					
Model	A. Width	B. Depth	C. Height	D. Box Width	E. Box Depth
GHAF302	12(305)	21(533)	1.67(42.4)	10.43(265)	19.41(493)
GHAS774	30(762)	20.08(510)	1.67(42.4)	28.35(720)	18.7(475)
GHAF774	30(762)	20.08(510)	1.67(42.4)	28.35(720)	18.7(475)
GHAF775	30(762)	20.08(510)	1.67(42.4)	28.35(720)	18.7(475)
GHAF915	36(915)	20.67(525)	1.73(44)	34.45(875)	19.09(485)

Cutout Dimensions(inch/mm)					
Size	F. Width		G. Depth		H. Height Below
Model	Minimum	Minimum	Minimum	Minimum	Minimum
GHAF302	10.67(271)	10.91(277)	19.65(499)	19.88(505)	4(101.6)
GHAS774	28.58(726)	28.78(731)	18.93(481)	19.13(486)	4(101.6)
GHAF774	28.58(726)	28.78(731)	18.93(481)	19.13(486)	4(101.6)
GHAF775	28.58(726)	28.78(731)	18.93(481)	19.13(486)	4(101.6)
GHAF915	34.68(881)	34.88(886)	19.33(491)	19.53(496)	4(101.6)



- e. Please make sure the sponge sealing tape is properly attached to the edge of the cut-out(Fig.10).



- f. Fixing fittings(hooks, screws) are provided to place the cooktop on worktop, the worktop measure 0.8" to 1.9" in thickness(Fig.11).
Note: Use the hooks contained in the "installation package".

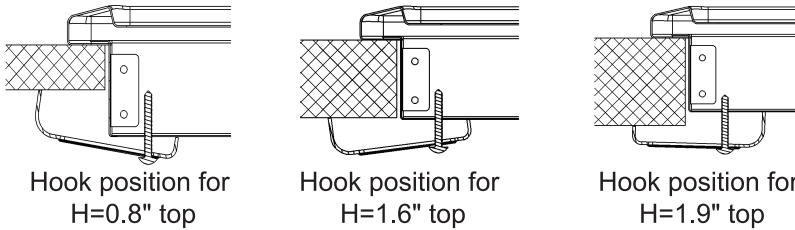


Fig.11

- g. In the event, the gas cooktop is not installed on a built-in oven, a wooden panel must be inserted for insulation. This panel must be placed at least 0.8" distance from the bottom of cooktop.
Important: When installing the gas cooktop above a built-in oven, the oven should be placed on two wooden strips; in the case of a joining cabinet surface, remember to leave a space of at least 1.8" x 22" at the back.
When installing on a built-in oven without forced ventilation, ensure that there are air inlets and outlets for ventilating the interior of the cabinet adequately.

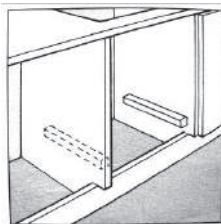


Fig.12

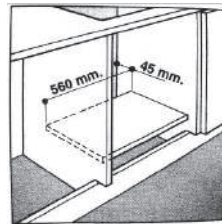


Fig.13

When installing cooktop on a built-in oven without forced ventilation, ensure that have air inlets and outlets to ventilate the interior of the cabinet adequately.

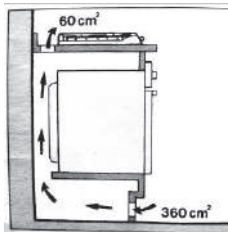


Fig.14

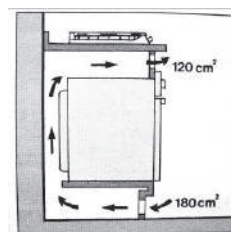


Fig.15

! CAUTION

The gas cooktop must be installed by a competent person to the relevant Gas Standards. Please ensure that once the gas cooktop is installed, it is easily accessible for the engineer in the event of a breakdown.

The gas cooktop is installed successfully

Note: Once the gas cooktop has been installed, it is important to remove any protective materials, which were put on in the factory. Any gas installation must be carried out by a competent person.

Gas Connection

Pressure regulator installation

! WARNING

Do not make the connection too tight.
The regulator is die-cast. Overtightening may crack the regulator resulting in a gas leak and possible fire or explosion.

! WARNING

First, make sure that the pressure regulator arrow points toward the cooktop air pipe joint, and then fasten the pressure regulator to the cooktop air pipe.



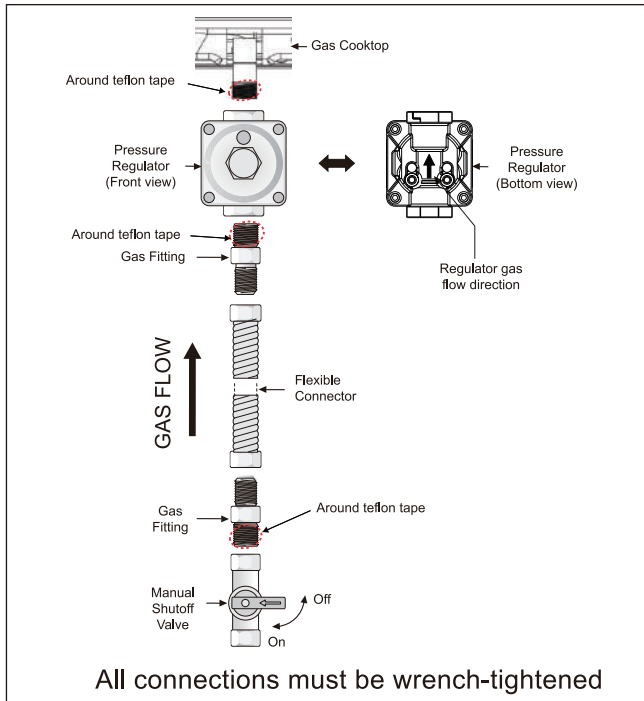


Fig.16

Assemble the flexible connector from the gas supply pipe to the gas cooktop in the following order(Fig.16):

1. Manual shutoff valve
2. Gas fitting
3. Flexible connector
4. Gas fitting
5. Pressure regulator
6. Gas cooktop

Use pipe-joint compound made for use with Natural and LP/Propane gas to seal all gas connections. If flexible connectors are used, be certain connectors are not kinked.

Note: The supply line must be equipped with an approved manual shutoff valve. This valve should be located in the same room as the cooktop and should be in a location that allows ease of opening and closing. Do not block access to the shutoff valve. The valve is for turning on or shutting off gas to the appliance.

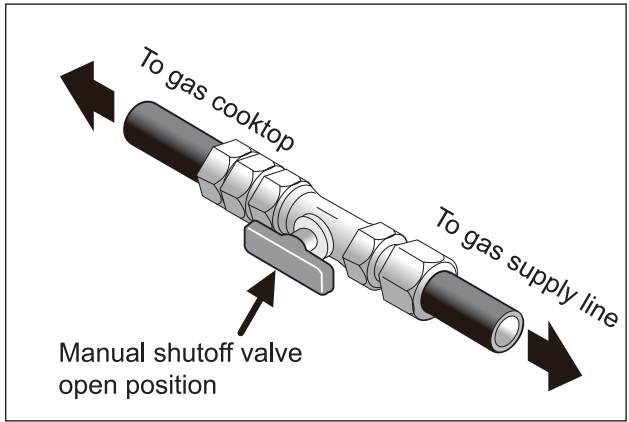


Fig.17

Once the regulator is in place, open the shutoff valve in the gas supply line. Wait a few minutes for gas to move through the gas line.

Wrong Installation For Gas Cooktop

1. Didn't install a gas pressure reducing valve when connecting to propane cylinder(Refer to picture below).



Install this gas pressure-reducing valve(KR106A).

2. Note:

The provided gas regulator with the unit is only for TOWN LPG GAS, NOT FOR Propane gas cylinder.

So when you want to connect to a propane cylinder. You should buy another gas pressure reducing valve as below. And you can choose to use the supplied gas regulator or not use it.



Gas pressure reducing valve.

- Gas regulator.
- This is not a gas pressure-reducing valve. It is only a gas regulator valve. If you want to connect to a propane cylinder, that must install a gas pressure reducing valve before the gas regulator.
- Gas regulator(You can use it or not use it when you installed a gas pressure reducing valve).

Gas Connection And Check

The cooktop valve is in the closed state, open the gas supply valve, coated the connector with moderate amounts of soapy water, if there are air bubbles that it means there is leakage, tighten the connector and test again. If repeat 3 to 4 times and there are still air bubbles, notify professionals to deal with it.

* Note: Leak testing of the appliance shall be conducted according to the manufacturer's instructions. The inspection places as below picture:



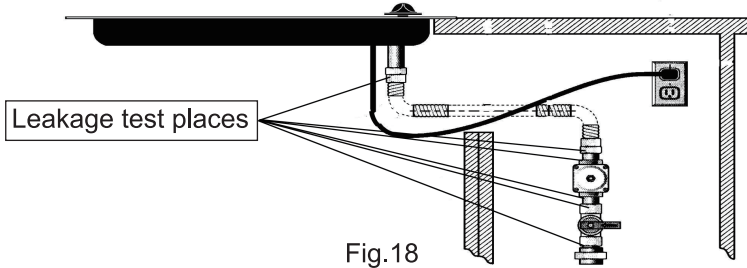


Fig.18

⚠ CAUTION

Any electrical work required to install this gas cooktop should be carried out by a qualified electrician or competent person. Check the last letter of your model to know the electrical supply type: A is for AC, D is for DC.

The gas cooktop must be earthed

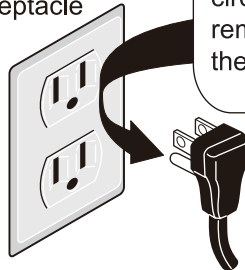
If the cooktops to be connected to a 120V, 60 Hz AC electrical supply. Before switching on, make sure the electricity supply voltage is the same as that indicated on the cooktops rating label. Ensure that the cooktops supply cable does not come into contact with surfaces with temperatures higher than 122°F/50°C.

⚠ WARNING

Critical Grounding Instructions:

This appliance is equipped with a three-prong grounding plug for your protection against shock hazard and should be plugged directly into a properly grounded receptacle. Do not cut or remove the grounding prong from this plug.

Grounding type wall receptacle

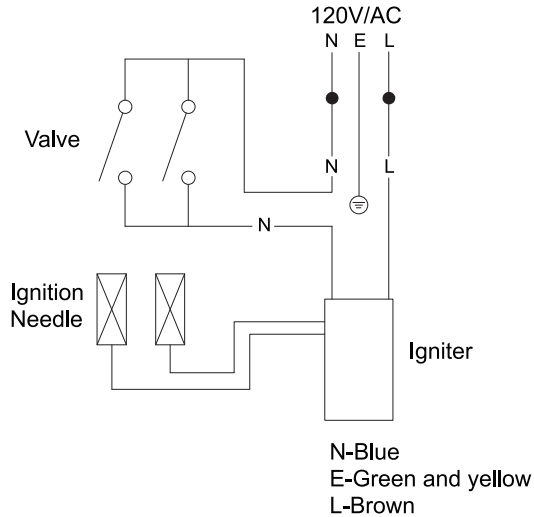


Do not, under any circumstances, cut, remove, or bypass the grounding prong.

Power supply cord with 3-prong grounding plug.

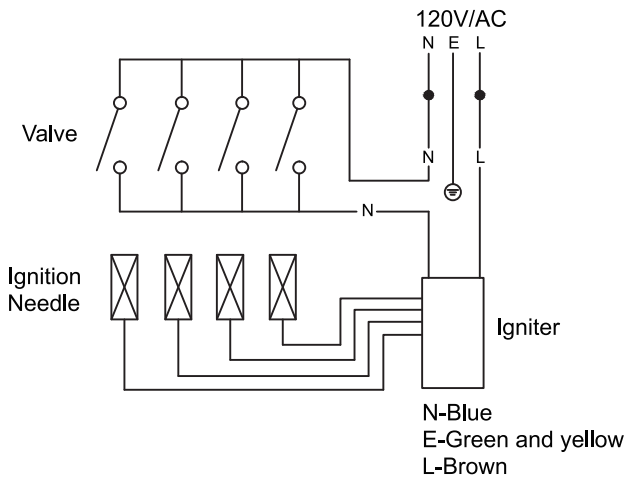
Electrical Connection

Circuit diagram:



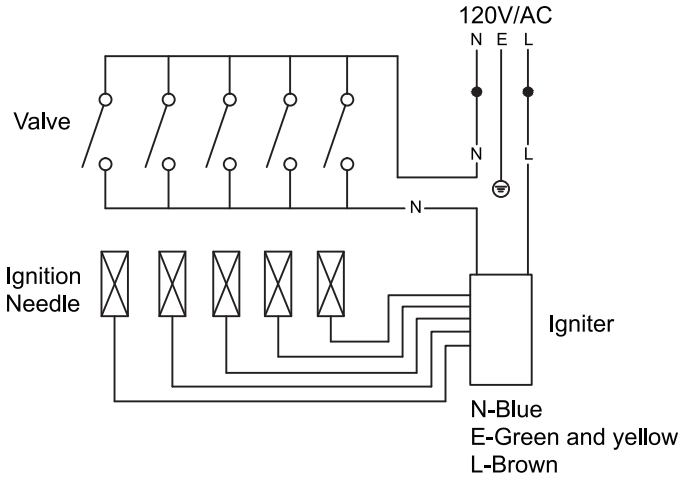
GHAF302

Fig.19



GHAS774/GHAF774

Fig.20



GHAF775/GHAF915
Fig.21

Converting To Type Of Propane

WARNING: This appliance can be used with Propane and Natural gas. It is shipped from the factory adjusted for use with Natural gas: Conversion orifices are located in accessories package. Follow the instructions packaged with the orifices for gas conversion.

1. Air supply valve and cooktop valve need to be closed, unplug the power plug for AC model.
2. When the gas pressure regulator is in NG state and needs to be converted to Propane regulator, and then counterclockwise unscrew the marked NG threaded rod, reverse the threaded rod, turn the LP arrow upwards and tighten it to the screw cap, then install the cap back to the gas pressure regulator. The gas pressure regulator gas conversion needs to be used with the accessory kit(See Burner Configuration for detailed Injector specifications).
3. Remove the burners, burner caps, and screw out the Injector from the burner bases. Then install those Injectors in the Conversion Kitbag to each burner base correspondingly. Save the orifices removed from the appliance for future use.



- Input inlet pressure of 11 in w.c. (2740 Pa), coat the Injector joints and the gas pressure regulator joints with moderate amounts of soapy water, there shall be no bubbling.
- Place the burner, burner cap, check if the position between the ignition pin and the burner is correct, and then open the valve, AC model plugged in the power plug. Leakage test please refer to page 13 "Gas Connection And Check" section.
- Test the outlet pressure, the pressure is required to be 10 ± 1 in w.c. If it cannot meet the scope of the requirements, need to unscrew the pressure regulator nut as Fig.22, rotate slightly to adjust the white plastic parts inside the pressure regulator.

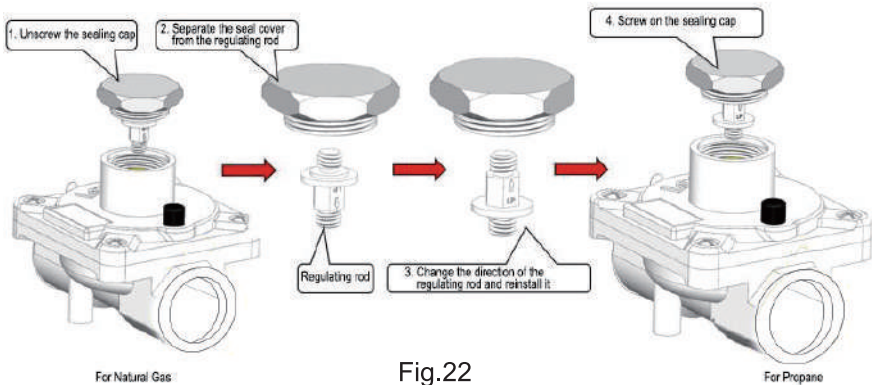


Fig.22

- Ignition test requires that the burner can be lit in 5 seconds normally, after 1 minute the flame is stable, there should be no lifted flame and yellow fire.

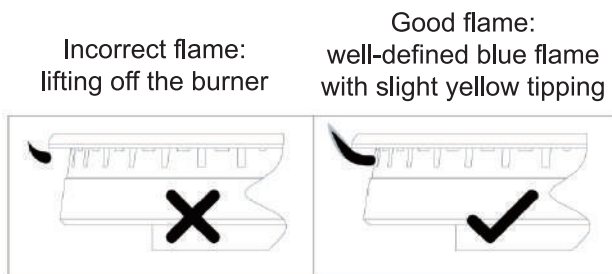
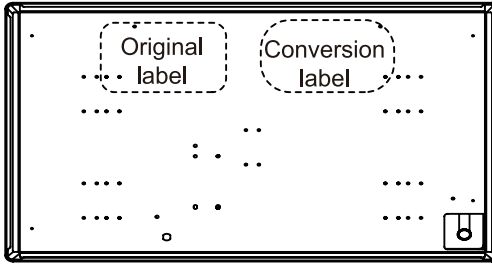


Fig.23 (Incorrect and good flame patterns)

- Similarly, when using in NG status, turn the marked NG arrow upwards and tighten it to the screw cap(Fig.22). Repeat the above operation. The outlet pressure requires to be 4 ± 1 in w.c.
- After the conversion is completed, the conversion label in the accessory bag needs to be attached next to the original label.



(Product bottom)

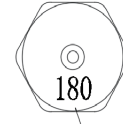
Injector diameter:
1.80mm

Fig.24

- 1#: Wok burner(Injector: NG- \varnothing 1.80mm/Propane-1.18mm)
- 2#: Rapid burner(Injector: NG- \varnothing 1.52mm/Propane-0.93mm)
- 3#: Semi-rapid burner(Injector: NG- \varnothing 1.26mm/Propane-0.79mm)
- 4#: Auxiliary burner(Injector: NG- \varnothing 0.94mm/Propane-0.62mm)

⚠ WARNING

This conversion kit shall be installed by a qualified service technician in accordance with the manufacturer's instructions and all applicable codes and requirements of the authority having jurisdiction. If the information in these instructions is not followed exactly, a fire, explosion or production of carbon monoxide may result causing property damage, personal injury or loss of life. The installation is not proper and complete until the operation of the converted appliance is checked as specified in the manufacturer's instructions supplied with the kit.

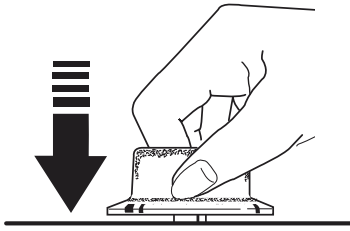
Complete parts list identifying all components provided in the kit.

Using The Cooktop

Lighting

- Simply press the knob in, turn counterclockwise to "LITE" position.
- Press the ignition device and hold the knob till the burner is ignited.
- Before releasing knob, ensure a flame is established.
- If the burner fails to ignite, put into off position and wait for at least 30 seconds then try again.





Push the control knob in and turn it to the LITE position.

Fig.25

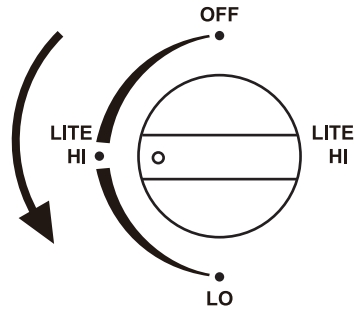


Fig.26

Re-ignition

If the flame is out for certain reasons, the safety device will cut off the gas power automatically. Turn the knob to “HI” position, then ignite again, you should wait for 30 seconds when you do that. Due to the air in the tong, there may be unsmooth ignition, revolve the knob to “HI” position and ignite again.

Manual Ignition

If in case of a power failure or failure of the ignition, a match or lighting devise can be used. Care must be taken when using this method. The device shall not be operated for more than 15s. If after 15s the burner has not lit, stop operating the device and open the compartment door and/or wait at least 1 min before attempting a further ignition of the burner. In the event of the burner flames being accidentally extinguished, turn off the burner control and do not attempt to re-ignite the burner for at least 1 min.

Regulating The Flame

As the burners are adjusted correctly, the flame should be light blue, and the inner flame should be clear. The size of flame depends on the position of the related control knob.

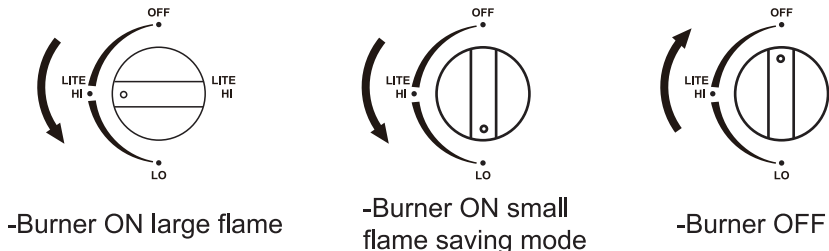


Fig.27

To reduce the flames, turn the control knob counterclockwise from “HI” position to “LO” position until you feel resistance.
To increase the flames, turn the control knob clockwise from “LO” position to “HI” position until you reach the stop.

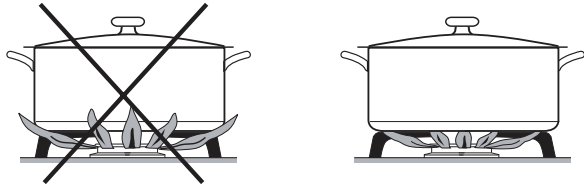


Fig.28

Since the outer portion of the flame is much hotter than the center, the flame should be set so that it does not spread beyond the sides of the pan. Flame tips that extend beyond the sides of the pan are hazardous.

Turning Off

Turn the control knob clockwise to “OFF”.

Pan Size

— Set the cooktop to a high flame when using a large diameter pan and low flame when using small diameter pans.

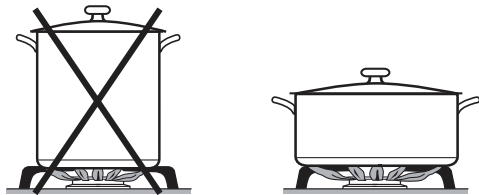


Fig.29

- Generally, wide/shallow pans will heat quicker and cook more evenly than narrow/tall ones.
- Using oversized pans may cause the flames to spread out and damage the surrounding countertop or other countertop appliances. The proper pan size will also improve efficiency.
- Do not use small pans with high flame settings, the flames may climb the sides of the pan.



When switching on the mains, after installation or a power cut, it is quite normal for the spark generator to be activated automatically.

To ensure maximum burner efficiency, you had better use pots and pans with a flat bottom fitting the size of the burner used(see table).

Do not use rim based or convex-based vessels on the hotplate burners.

Burner	NG Pan Diameter	Propane Diameter
Work burner(Triple ring burner)	9"/229 mm	12"/305 mm
Rapid burner	9"/229 mm	9"/229 mm
Semi rapid burner	7"/178 mm	7"/178 mm
Auxiliary burner	7"/178 mm	7"/178 mm

Cleaning And Maintenance

Stainless steel surfaces

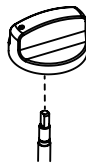
Do not use a steel wool pad; it will scratch the surface.

To clean the stainless steel surface, use warm sudsy water or a stainless steel cleaner or polish. Always wipe the surface in the direction of the grain. Follow the cleaner instructions for cleaning the stainless steel surface.

Cleaning Knobs

For easier cleaning, the control knobs may be removed by pulling them directly upwards once the knobs are in the OFF position. The knobs can be washed by hand with soap and water or in a dishwasher.

To replace knobs after cleaning, align the hole on the knob backside with the gas valve shaft and push downward until the knob is securely fastened. All knobs are interchangeable.



Pull the knob straight up off the stem.

Fig.30

Removal of surface burners for cleaning

Turn all controls OFF. Allow cooktop to cool before removing grates and burner parts. When removing the burner caps and heads, remember their size and location. Replace them in the same location after cleaning.

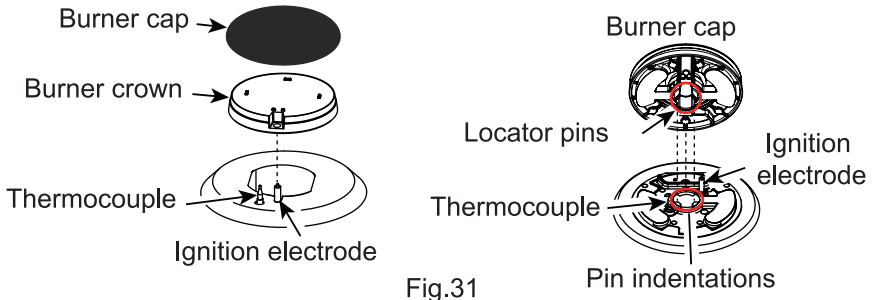


Fig.31

⚠ CAUTION

Accessible parts may be hot when the grill is in use. Young children should be kept away. Place the burner onto the burner base one by one and stuck, rotate left and right to check if the burners are in place, the burner is placed correctly when it cannot be rotated. Finally center placed the burner cap on the burner. If you cannot light the flame even after several attempts, check if it is in the correct position. To put the flame out, turn the knob to the symbol "OFF".

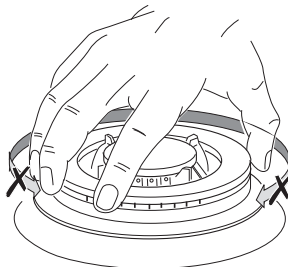


Fig.32

⚠ WARNING

As soon as a liquid starts boiling, turn down the flame so that it will barely keep the liquid simmering. If the control knobs become difficult to turn, please contact your local service center. Users could not use the cooking vessels on the hotplate that overlap its edges. All burner caps can't be dislocated installation, otherwise it will lead to flashback on the upper aluminum seats and cause the upper aluminum seats to melt and deform, see below figures for correctly placing the burner caps.





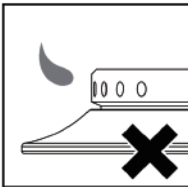
Fig.33

Maintenance And Troubleshooting

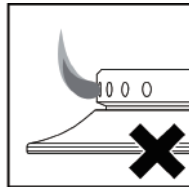
Maintenance -- Once a year.

1. Keeping appliance area clear and free from combustible materials, gasoline, and other flammable vapors and liquids.
2. Not obstructing the flow of combustion and ventilation air.
3. Visually checking pilot(s) and burner flames, please see below pictures and instruction.

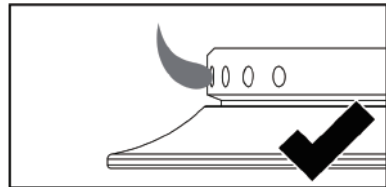
Incorrect flame:
"lifting off" the burner



Incorrect flame:
yellow tipping



Good flame: Well-defined blue
flame without yellow tipping



4. Cleaning appliance, including special oven surfaces, with recommended cleaning agents, if necessary.
5. Lubricating moving parts, when applicable, including type and amount of lubricant.

If you find gas cooktop cannot work suddenly or cannot work properly. Before calling customer service for assistance, let us check what we can do.

First of all, check and confirm there have no interruptions to the gas and electrical supplies. Particularly if the gas valves keep turning on.

After electrical all of these, the gas cooktop still does not work properly, please call the thermomate customer service team. Never call the technicians who are not authorized and refuse to use the spare parts which are not from the manufacturer.



PROBLEM	POSSIBLE CAUSES	WHAT TO DO
No spark when gas control knob depressed.	No power.	Check plugged in and switched on. Check mains circuit breaker.
	Loose sparker cable.	Check the spark cable if loose.
	Burner not aligned properly.	Remove and re-fit burner.
Burner not lighting when spark ignition working.	Gas supply off.	Check gas supply valve on.
	Gas regulator installation direction faulty.	Reverse the direction to reinstall.
	Installed a high pressure gas regulator.	Replace a correct pressure gas regulator.
	Burner not aligned properly. Burner ports blocked.	Remove and re-fit burner.
Burner goes out when control knob released.	Flame safeguard not activated.	Re-light, allow more time for flame safeguard to activate.
	Flame safeguard faulty connection or broken.	Check the thermocouple cable connection if loosen or broken.
Uneven flame pattern or slight flame lifting.	Burner ports blocked or burner dislocation.	Remove, clean and replace burner. Reassemble the burner.
At minimum flame setting the flame is too high.	Turndown control setting incorrect.	Adjust the minimum screw.
Small flame on High setting.	Regulator faulty.	Choose a correct regulator.
	Gas supply pressure low.	Check the gas supply if run out.
	Incorrect injector fitted.	Check the injector if correct.
	Blocked injector or gas supply tube.	Check the the injector and gas supply tube if blocked.
	Incorrect utensil size.	Choose a suitable utensil.
Flame too high on High setting.	Regulator faulty(Gas pressure is too high).	Choose a correct specification gas regulator(out let pressure)
	Incorrect injector fitted.	Check injector if correct and replace it.
	Incorrect utensil size.	Choose a suitable utensil.
Flame tips are very yellow	Incorrect gas supply type or incorrect gas regulator.	Check the gas supply type and gas regulator if correct.



Warranty

Any question about the operation, maintenance service or warranty of this gas cooktop should be directed to thermomate. You can contact thermomate for after-sale service in the warranty period via following methods:

Hotline: 1(844) 334-4203

Email: support@thermomate.com



☎ 1 (844) 334-4203

🌐 www.thermomate.com

✉ support@thermomate.com

📍 3330-A Marathon Ct Charleston, SC 29418





PLAQUE DE CUISSON À GAZ ENCASTRÉE

Live Smart, Better Life!

**GHA302 & GHAS774 & GHA302
& GHA302 & GHA302**

Manuel d'instructions / d'installation

☎ 1 (844) 334-4203

🌐 www.thermomate.com

✉ support@thermomate.com

📍 3330-A Marathon Ct Charleston, SC 29418



⚠ AVERTISSEMENT

NE JAMAIS utiliser cet appareil comme un dispositif de chauffage d'appoint pour chauffer ou réchauffer la pièce. Agir de la sorte peut entraîner un empoisonnement au dioxyde de carbone et à la surchauffe du four.

AVERTISSEMENT: Au cas où les renseignements contenus dans les présentes instructions ne sont pas respectés à la lettre, un incendie ou une explosion peut se produire et entraîner des dommages matériels, des blessures corporelles ou la mort.

— NE PAS conserver ou utiliser l'essence ou d'autres liquides et vapeurs inflammables dans les environs de cet ou de tout autre appareil.

— DISPOSITIONS À PRENDRE EN CAS DE FUITE DE GAZ

- Ne pas essayer d'allumer l'appareil.
- Ne pas toucher à un quelconque interrupteur électrique.
- Ne pas utiliser le téléphone dans le bâtiment.
- Appeler immédiatement le fournisseur de gaz à partir d'un téléphone dans le voisinage. Suivre les instructions données par le fournisseur de gaz.
- Au cas où vous ne pouvez pas joindre le fournisseur de gaz, appeler le service des pompiers.

— L'installation et le service doivent être effectués par un installateur qualifié, une agence de service ou par le fournisseur de gaz.

⚠ WARNING

NE JAMAIS faire fonctionner la partie supérieure de la surface de cuisson de cet appareil sans surveillance.

- Le non-respect de ce message d'avertissement peut entraîner un incendie, une explosion ou des risques de brûlure susceptibles de causer des dommages matériels, des blessures corporelles ou la mort.
- En cas de survenue d'un incendie, rester éloigné de l'appareil et appeler immédiatement votre le service des pompiers de votre ville.

**NE PAS ESSAYER D'ÉTEINDRE UN INCENDIE D'HYDROCARBURES/
GRAISSE AVEC DE L'EAU**

Contents

Description de la plaque à cuisson	04
Données techniques	05
Liste de colisage	05
Installation	06
Positionnement de la plaque de cuisson à gaz	06
Guide d'installation	07
Raccordement de gaz	11
Mauvaise installation de la table de cuisson au gaz.....	13
Raccordement de gaz et vérification	14
Branchement électrique	16
Conversion au type de propane	17
Utilisation de la plaque de cuisson	19
Régulation de la flamme	20
Extinction	21
Taille des casseroles	21
Nettoyage et entretien	22
Entretien et résolution des problèmes	25
Garantie	27



⚠ AVERTISSEMENT

Cet appareil peut être utilisé par les enfants âgés d'au moins 8 ans et les personnes ayant des capacités sensorielles, physiques ou mentales réduites, ou ne disposant pas d'expérience ou de connaissances si celles-ci bénéficient de la supervision ou des instructions relatives à l'utilisation de l'appareil de manière sécurisée et sont conscientes des dangers encourus. Les enfants ne doivent pas jouer avec cet appareil. Le nettoyage et l'entretien par l'utilisateur ne doivent pas être faits par les enfants sans supervision.

Au cas où le câble d'alimentation est endommagé, celui-ci doit être remplacé par le fabricant. Son agent de service ou des personnes qualifiées de même rang, afin d'éviter tout risque.

Le débranchement peut être effectué en rendant la prise accessible ou en intégrant un commutateur dans le câblage fixe conformément aux règles de câblage.

Il est dangereux de conserver des objets dans les compartiments au-delà des spécifications de l'appareil.

Cet appareil doit être installé conformément à la réglementation en vigueur et n'être utilisé que dans un espace bien aéré.

Lire les instructions avant d'installer ou d'utiliser cet appareil.

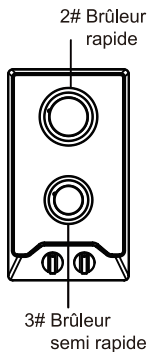
L'installer doit se conformer aux codes locaux ou, en cas d'absence des codes locaux, le Code de gaz naturel, ANSI Z223.1/NFPA 54 ou, au Canada, le Code d'installation du gaz naturel et du propane, CSA B149.1.

Lorsqu'il est installé, l'appareil doit être mis à la masse électriquement conformément aux codes locaux ou, en l'absence des codes locaux, suivant le Code national de l'électricité, NFPA 70 ou le Code canadien de l'électricité, CSA C22.1-02.

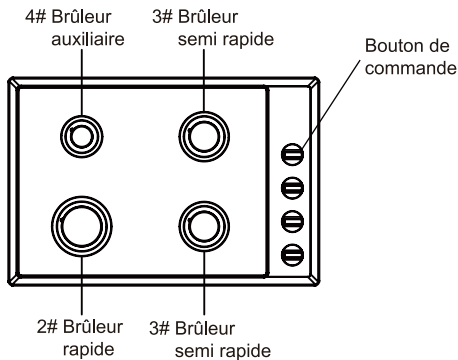
1. L'appareil et sa vanne d'arrêt individuelle doivent être déconnectés du système de tuyauterie d'alimentation en gaz au cours d'un essai de pression du dit système soumis aux pressions d'épreuve excédant 1/2 psi(3.5 kPa).
2. L'appareil doit être isolé du système de tuyauterie d'alimentation en gaz en fermant sa vanne d'arrêt individuelle au cours d'un essai de pression du système de tuyauterie d'alimentation en gaz soumis aux pressions d'épreuve égales ou inférieures à 1/2 psi(3.5 kPa).
3. La pression maximale d'alimentation en gaz: Propane:13 inH2O; GN:8 inH2O.
4. Recommander la pression d'alimentation pour le paramétrage du détenteur de contrôle: Propane: 11 inH2O; GN:5 inH2O.

Description de la plaque à cuisson

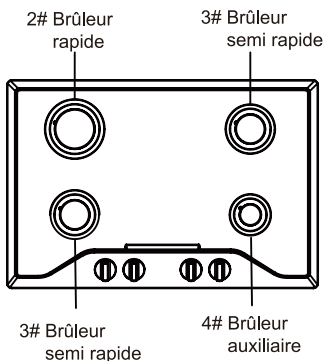
Analyse détaillée



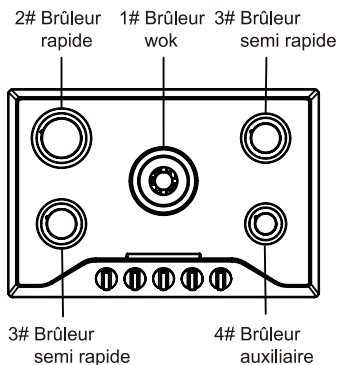
GHAF302



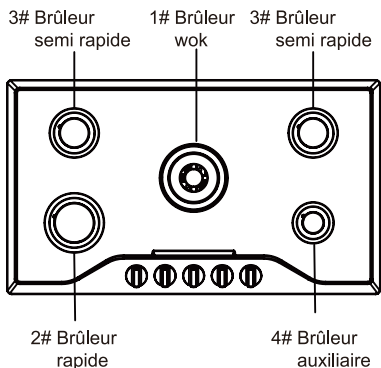
GHAS774



GHAF774

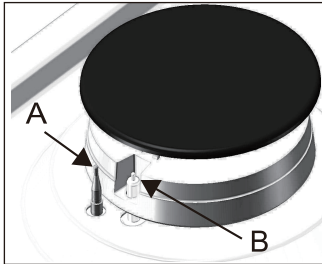


GHAF775



GHAF915





- 1#: Brûleur wok
(Injecteur: GN- \varnothing 1.80 mm/Propane -1.18 mm)
- 2#: Brûleur rapide
(Injecteur: GN- \varnothing 1.53 mm/Propane -0.93 mm)
- 3#: Brûleur semi rapide
(Injecteur: GN- \varnothing 1.26 mm/Propane -0.79 mm)
- 4#: Brûleur auxiliaire
(Injecteur: GN- \varnothing 0.94 mm/Propane -0.62 mm)

A. Dispositif de sécurité - s'active au cas où la flamme s'éteint accidentellement(déversements, courants d'air, etc.), interrompant l'alimentation du gaz au brûleur

B. Électrode d'allumage pour les brûleurs à gaz.

Données techniques

Modèle	GHAF302	GHAS774	GHAF774	GHAF775	GHAF915
Alimentation électrique	120 V/60Hz	120 V/60Hz	120 V/60Hz	120 V/60Hz	120 V/60Hz
Alimentation	0.5W	0.5W	0.5W	0.5W	0.5W
Dimensions (mm/po)	305x533x112 (12x20.98x4.45)	762x510x113 (30x20.08x4.45)	762x510x113 (30x20.08x4.45)	762x510x113 (30x20.08x4.45)	915x525x115 (36x20.67x4.53)
Type de gaz	Natural gas: Supply pressure: 7 in w.c./Manifold pressure: 4 in w.c. Propane gas: Supply pressure: 11 in w.c./Manifold pressure: 10 in w.c.				

Modèles susmentionnés: GHAF302, GHAS774, GHAF774, GHAF775, GHAF915; entre les modèles sauf si les boutons ne sont pas identiques, d'autres sont identiques.

Configuration du brûleur

Type de gaz	GN: Pression d'admission 4 in w.c.		Propane: Manifold pressure 10 in w.c.	
	Diamètre de l'injecteur	Btu/hr	Diamètre de l'injecteur	Btu/hr
Brûleur wok(1#) (Brûleur à trois anneaux)	1.80mm	13000	1.18mm	15100
Brûleur rapide(2#)	1.53mm	10300	0.93mm	10300
Brûleur semi rapide(3#)	1.26mm	7000	0.79mm	7000
Brûleur auxiliaire(4#)	0.94mm	4000	0.62mm	4000

Liste de colisage

Élément N°:	Description	Quantité
1	PLAQUE DE CUISSON À GAZ	1 pcs
2	Brûleur	1 jeu
3	Capot de brûleur	1 jeu
4	Détendeur de gaz	1 pcs
5	Injecteur de propane	1 jeu
6	Bande d'étanchéité en mousse	1 pcs
7	Ruban à joints	1 pcs
8	Carton	1 pcs
9	Manuel d'instructions	1 pcs
10	Package d'installation : attache x 2, vis ST4 x 4	1 jeu

Installation

⚠ AVERTISSEMENT

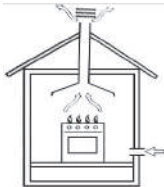
Les instructions suivantes sont destinées à l'installateur qualifié pour que les procédures d'installation et d'entretien puissent être respectées de la meilleure la plus professionnelle et experte qui soit.

Important: Débrancher la connexion électrique avant d'effectuer des travaux de maintenance et d'entretien de routine.

Positionnement de la plaque de cuisson à gaz

Les exigences suivantes doivent être respectées :

- La pièce doit être équipée d'un système de ventilation qui évacue les gaz et les fumées de combustion à l'extérieur des pièces. Ceci doit être fait à travers la hotte à évacuation ou le ventilateur électrique.



Dans une souche de cheminée ou un conduit de fumée ramifié. (exclusivement pour les appareils de cuisson)



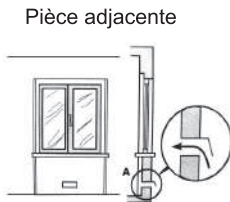
Directement vers l'extérieur



☎ 1(844) 334-4203

✉ support@thermomate.com

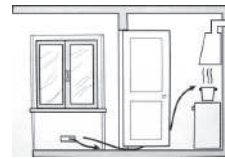
- b. La pièce doit pouvoir permettre l'entrée de l'air qui est nécessaire à la combustion. La circulation d'air à des fins de combustion ne doit pas être inférieure à 70.6 pi³/h par kW de la capacité installée. L'approvisionnement en air s'effectuera par l'entrée d'air en provenance de l'extérieur à travers un conduit dont la coupe transversale interne est d'au moins 6.1 pi³ in et ne doit pas faire l'objet de blocage accidentel. La plaque de cuisson à gaz dépourvue de dispositifs de sécurité doit disposer d'une ventilation fonctionnelle au double du volume, afin d'empêcher l'extinction accidentelle de la flamme. Par exemple, un minimum de 12.2 pi³ in (Fig.5) Sinon, la pièce peut être ventilée indirectement à travers les pièces adjacentes qui sont dotées de conduits de ventilation vers l'extérieur. Même si les pièces adjacentes ne sont pas des espaces partagés, des chambres, mais le risque d'incendie est caché (Fig.6).



Exemples des trous de ventilation pour l'air comburant.

Fig.5

Pièce à ventiler



Élargissement un orifice de ventilation entre la fenêtre et le plancher.

Fig.6

- c. Le fonctionnement intensif et prolongé de la plaque de cuisson à gaz nécessite une ventilation intensifiée, per ex. l'ouverture de fenêtres ou l'augmentation de la puissance du système d'arrivée d'air(s'il est présent).
- d. Les gaz de pétrole liquéfiés sont plus lourds que l'air. Il faut par conséquent le régler à la baisse. Les pièces dans lesquelles sont installés les réservoirs de GPL doivent être équipées de ventilation vers l'extérieur, afin d'éviter la fuite de gaz. Par conséquent, les réservoirs de GPL qui sont vides ou partiellement remplis ne doivent pas être installés ou conservés dans les pièces ou espaces en deçà du niveau du sol(caves, etc.). C'est une bonne idée de garder uniquement le réservoir qui fonctionne actuellement dans la pièce et se rassurer qu'il n'est pas proche de la source de la source chauffante(fours, foyers à feu ouvert, fourneaux, etc.).

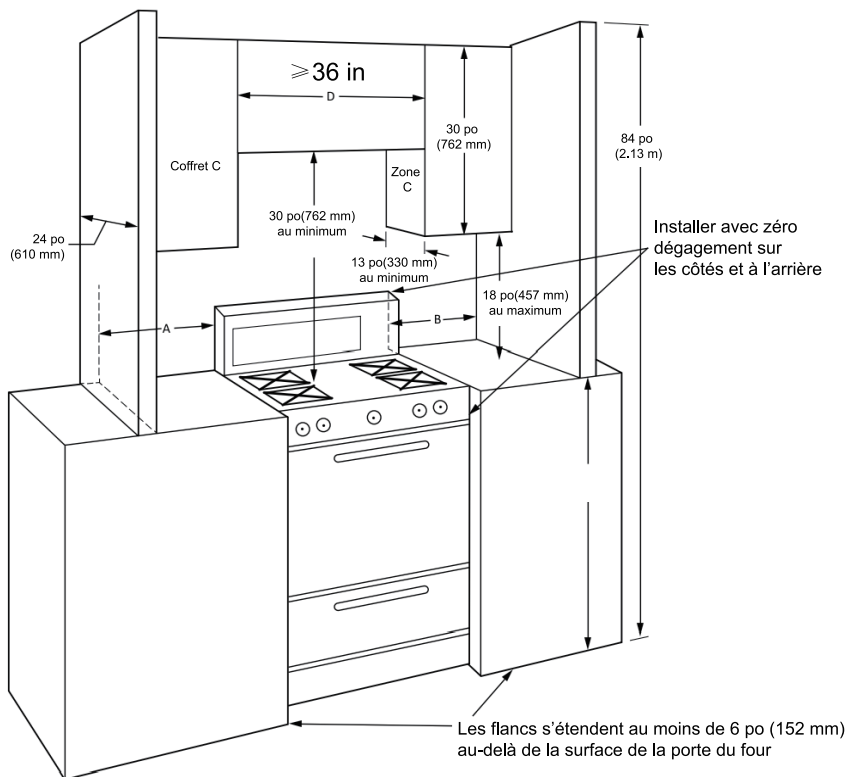
Guide d'installation

Les plaques de cuisson à gaz sont conçues avec un degré de protection contre le chauffage excessif. L'appareil peut être installé près des coffrets ayant une hauteur n'excédant pas la plaque de cuisson. Pour une installation correcte, les précautions suivantes doivent être respectées:

- La plaque de cuisson peut être placée dans une cuisine, dans une salle à manger, au petit salon/dans la chambre à coucher, mais pas dans la salle de bain ni dans la douche.
- Le meuble se trouvant près de l'unité, plus élevé que les planches de travail, doit être placé à une distance d'au moins 4.3" de l'extrémité de la planche.
- L'armoire doit être positionnée près du plan de travail à une hauteur d'au moins 18"(Fig.7).
- La planche de cuisson doit être installée directement sous la hotte d'aspiration; la hotte d'aspiration doit être située au moins à 34" de la plaque de cuisson(Fig.8).

Fig.7

Installer dans le coffret (À titre de référence)

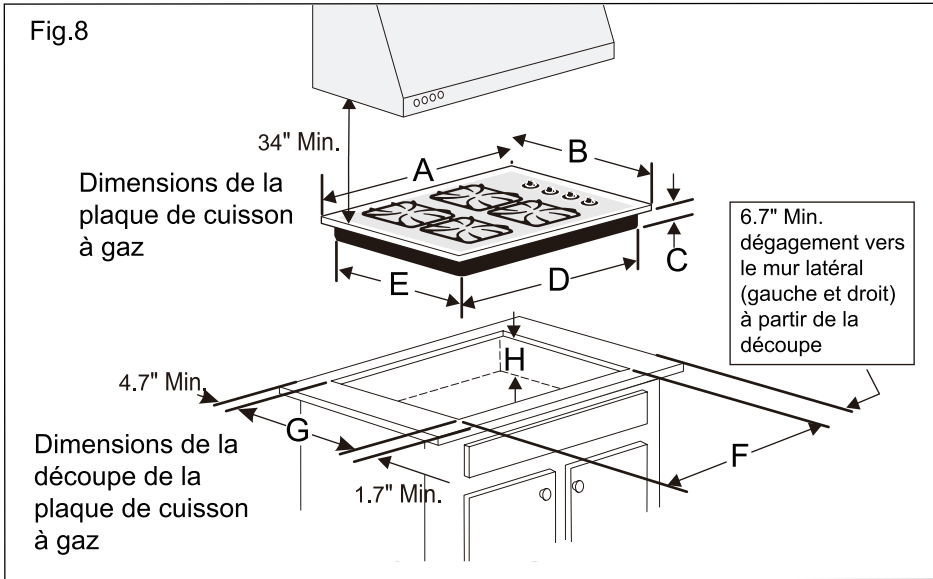


* Pour une unité supérieure, l'espacement minimal entre les sections supérieures individuelles: >10 po



1(844) 334-4203

support@thermomate.com



Dimensions Du Produit(pouce/mm)					
Modèle	A. Largeur	B. Profondeur	C. Hauteur	D. Largeur De La Boîte	E. Profondeur De La Boîte
GHAF302	12(305)	21(533)	1.67(42.4)	10.43(265)	19.41(493)
GHAS774	30(762)	20.08(510)	1.67(42.4)	28.35(720)	18.7(475)
GHAF774	30(762)	20.08(510)	1.67(42.4)	28.35(720)	18.7(475)
GHAF775	30(762)	20.08(510)	1.67(42.4)	28.35(720)	18.7(475)
GHAF915	36(915)	20.67(525)	1.73(44)	34.45(875)	19.09(485)
Dimensions De La Découpe(pouce/mm)					
Taille	F. Largeur		G. Profondeur		H. Hauteur Inférieure
Modèle	Minimum	Minimum	Minimum	Minimum	Minimum
GHAF302	10.67(271)	10.91(277)	19.65(499)	19.88(505)	4(101.6)
GHAS774	28.58(726)	28.78(731)	18.93(481)	19.13(486)	4(101.6)
GHAF774	28.58(726)	28.78(731)	18.93(481)	19.13(486)	4(101.6)
GHAF775	28.58(726)	28.78(731)	18.93(481)	19.13(486)	4(101.6)
GHAF915	34.68(881)	34.88(886)	19.33(491)	19.53(496)	4(101.6)

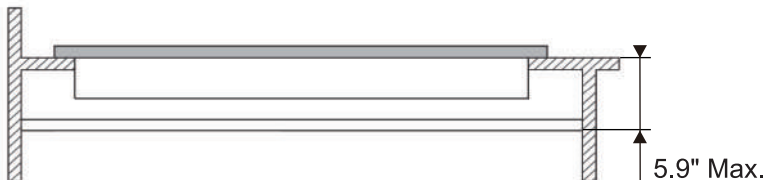


Fig.9

- e. Veuillez-vous rassurer que le ruban d'étanchéité en mousse est correctement fixé à l'extrémité de la découpe(Fig.10).

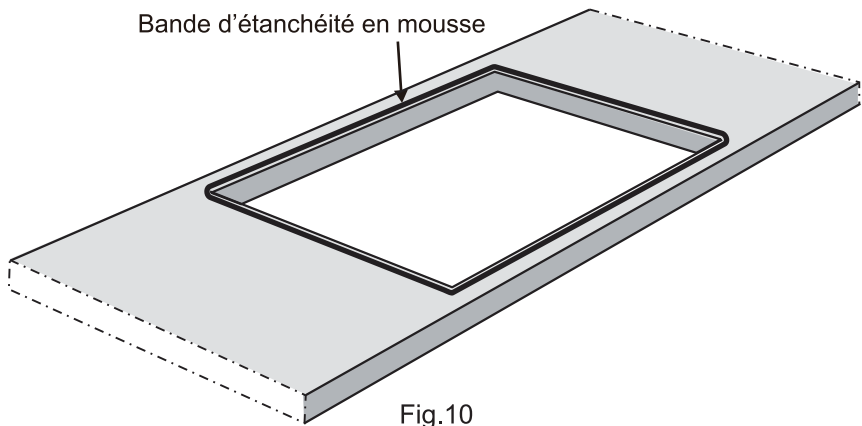
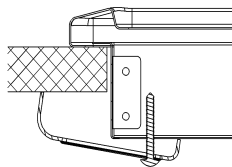


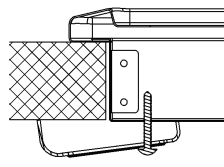
Fig.10

- f. Les accessoires de fixation(accroches, vis) sont fournis pour placer la plaque de cuisson sur le plan de travail. Le plan de travail mesure entre 0.8" à 1.9" d'épaisseur(Fig.11).

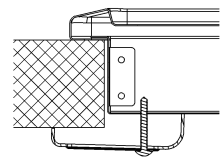
Remarque: Utiliser les accroches contenues dans «le package d'installation».



Position de l'accroche pour
H=0.8" supérieur



Position de l'accroche pour
H=1.6" supérieur



Position de l'accroche pour
H=1.9" supérieur

Fig.11

- g. Au cas où la plaque de cuisson à gaz n'est pas installée dans un four encastré, un panneau en bois doit être inséré pour l'isolation. Ce panneau doit être placé à une distance d'au moins 0.8" de la base de la plaque de cuisson.

Important: Lors de l'installation de la plaque de cuisson à gaz au-dessus d'un four encastré, celui-ci doit être placé sur deux bandes en bois. Au cas où il s'agit de la surface d'un coffret de jonction, se rappeler de laisser un espace d'au moins 1.8" x 22" à l'arrière. Lors de l'installation sur un four encastré dépourvu d'une ventilation dynamique, se rassurer qu'il existe des entrées et des sorties d'air pour ventiler l'intérieur du coffret de manière adéquate.



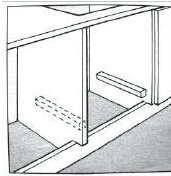


Fig.12

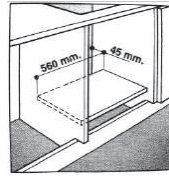


Fig.13

Lors de l'installation sur un four encastré dépourvu d'une ventilation dynamique, se rassurer qu'il existe des entrées et des sorties d'air pour ventiler l'intérieur du coffret de manière adéquate.

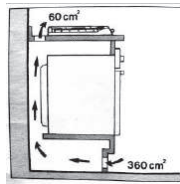


Fig.14

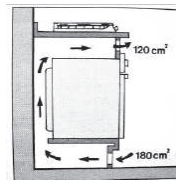


Fig.15

⚠ PRECAUTION

La plaque de cuisson à gaz doit être installée par une personne dotée d'une compétence en matière de normes relatives aux gaz. Veuillez-vous assurer qu'une fois que la plaque de cuisson à gaz est installée, qu'elle est facilement accessible à l'ingénieur en cas de panne.

La plaque de cuisson à gaz est installée avec succès.

Remarque: Une fois la plaque de cuisson à gaz installée, il est important de retirer tous les matériaux de protection qui y avaient été placés à l'usine. Toute installation de gaz doit être effectuée par une personne compétente.

Raccordement de gaz

Installation du régulateur de pression

⚠ AVERTISSEMENT

Ne pas trop resserrer le raccordement.

Le régulateur est moulé sous pression. Resserrer le régulateur à l'excès peut le casser et entraîner une fuite de gaz, ainsi qu'un éventuel incendie ou une éventuelle explosion.

⚠ AVERTISSEMENT

Premièrement, se rassurer que la flèche du régulateur de pression pointe vers le joint de tuyau à air de la plaque de cuisson, puis fixer le régulateur de pression au tuyau à air de la plaque de cuisson.

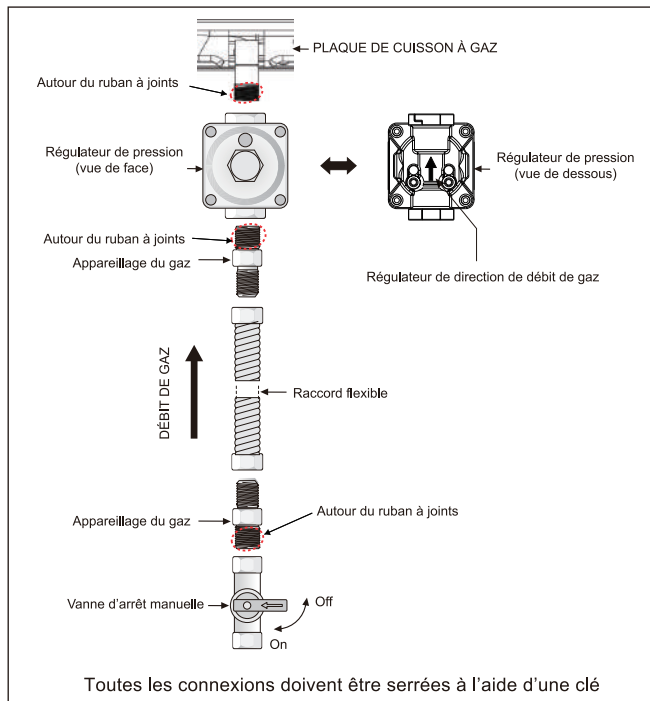


Fig.16

Réunir le raccord flexible issu du tuyau d'alimentation en gaz à la plaque de cuisson à gaz dans suivant l'ordre ci-après(Fig.16):

1. Vanne d'arrêt manuelle
2. Appareillage du gaz
3. Raccord flexible
4. Appareillage du gaz
5. Régulateur de pression
6. Plaque de cuisson à gaz

Utiliser une pâte à joint destinée à être utilisée avec du gaz naturel et du gaz propane/PL pour sceller tous les raccordements de gaz. En cas d'utilisation des raccords flexibles, se rassurer que les raccords ne sont pas déformés.



Remarque: La conduite d'alimentation doit être équipée d'une vanne d'arrêt manuelle homologuée. Cette vanne doit être localisée dans la même pièce que la plaque de cuisson et être située à un endroit qui facilite son ouverture et sa fermeture. Ne pas obstruer l'accès vers la vanne d'arrêt. La vanne est destinée à l'ouverture ou à l'arrêt du gaz vers l'appareil.

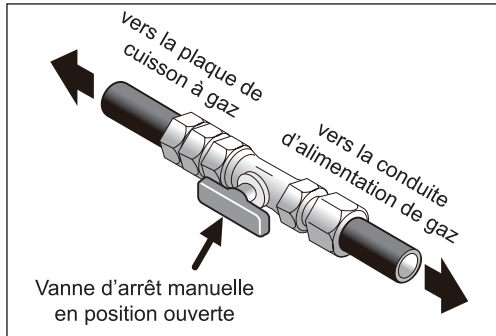


Fig.17

Dès lors que le régulateur est en place, ouvrir la vanne d'arrêt de la conduite d'alimentation de gaz.

Attendre quelques minutes que le gaz traverse la conduite d'alimentation.

Mauvaise installation de la table de cuisson au gaz

1. N'a pas installé de soupape de réduction de pression de gaz lors de la connexion à la bouteille de propane (voir l'image ci-dessous).



Installez cette soupape de réduction de pression de gaz

2. Remarque:

Le régulateur de gaz fourni avec l'unité est uniquement pour le GPL DE VILLE, PAS POUR la bouteille de gaz propane.

Donc quand vous voulez vous connecter à une bouteille de propane. Vous devriez acheter un autre réducteur de pression de gaz comme ci-dessous. Et vous pouvez choisir d'utiliser le régulateur de gaz fourni ou de ne pas l'utiliser.



- Régulateur de gaz.
- Ce n'est pas un détendeur de gaz. Ce n'est qu'une vanne de régulation de gaz. Si vous souhaitez vous connecter à une bouteille de propane, vous devez installer un détendeur de gaz avant le détendeur de gaz.
- Régulateur de gaz (vous pouvez l'utiliser ou ne pas l'utiliser lorsque vous avez.

Réducteur de pression de gaz.

Raccordement de gaz et vérification

La plaque de cuisson est en position fermée, ouvrir la vanne d'alimentation de gaz, recouvrir le raccord avec une quantité modérée d'eau savonnée. S'il y a des bulles d'air, alors il y a une fuite. Serrer le raccord et effectuer un nouvel essai. Si au bout de 3 à 4 essais les bulles persistent, notifier cela aux professionnels, afin qu'ils s'en chargent.

* Remarque: L'essai d'étanchéité de l'appareil doit être effectué suivant les instructions du fabricant. Les endroits à inspecter sont ceux indiqués sur l'image ci-dessous:



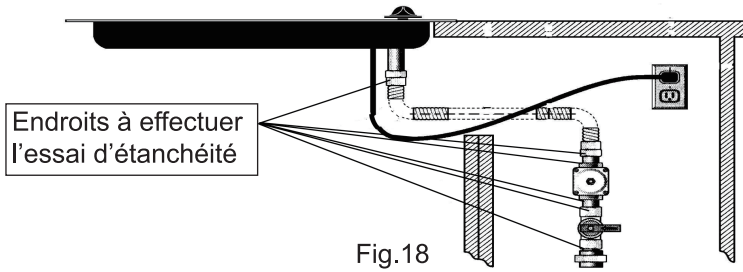


Fig.18

⚠ PRECAUTION

Tout travail d'électricité nécessaire à l'installation de la présente plaque de cuisson doit être effectué par un électricien qualifié ou une personne compétente. Vérifier la dernière lettre de votre modèle pour savoir le type d'alimentation électrique: A est pour le CA, D est pour le CC.

La plaque de cuisson à gaz doit être mise à la terre

Au cas où les plaques de cuisson sont branchées à une source d'alimentation électrique de 120V, 60 Hz CA. Avant de l'allumer, se rassurer que la tension de l'alimentation électrique est la même que celle indiquée sur l'étiquette de classement des plaques de cuisson. Se rassurer que les câbles d'alimentation des plaques de cuisson n'entre pas en contact avec des surfaces dont les températures sont supérieures à 122°F/50°C.

⚠ AVERTISSEMENT

Instructions essentielles de mise à la terre:

Cet appareil est doté d'une fiche de masse à trois broches pour vous protéger contre des risques électriques. Cette fiche doit être directement branchée dans une prise correctement mise à la masse. Ne pas couper ou retirer la broche de masse de cette fiche.

Type de prise murale de mise à la masse

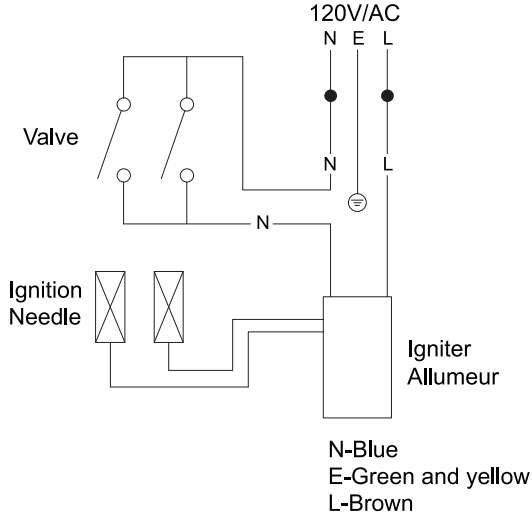


En aucune circonstance, ne pas couper, retirer ou dériver la broche de mise à la terre.

Le câble d'alimentation électrique doté d'une fiche de mise à la terre à 3 broches.

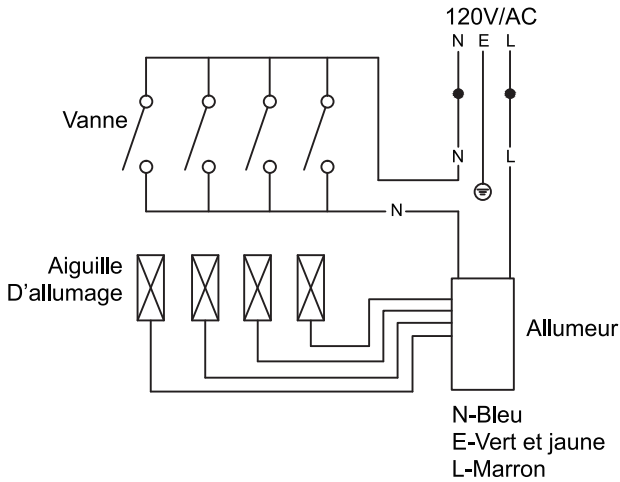
Branchement électrique

Schéma du circuit électrique:



GHAF302

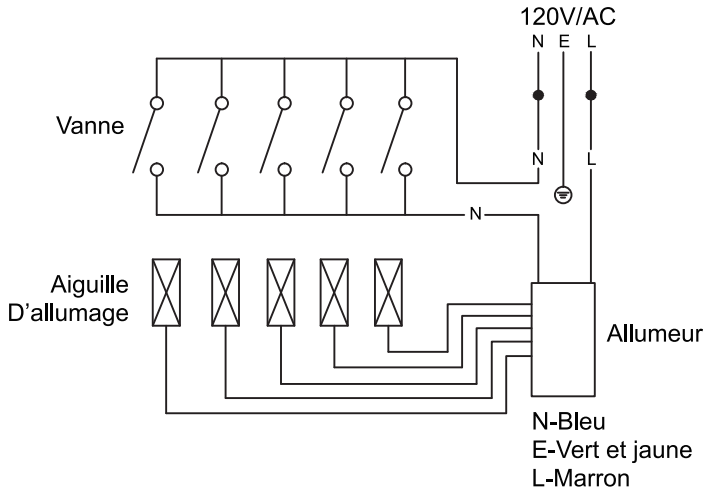
Fig.19



GHAS774/GHAF774

Fig.20





GHAF775/GHAF915

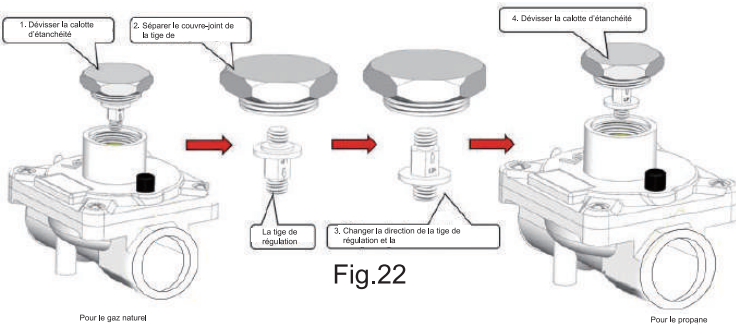
Fig.21

Conversion au type de propane

Avertissement: Cet appareil peut être utilisé avec du propane et du gaz naturel. Il est expédié de l'usine réglé pour être utilisé avec du gaz naturel: Les orifices de conversion se trouvent dans le package des accessoires. Suivre les instructions emballés avec les orifices nécessaires pour la conversion de gaz.

1. La vanne d'alimentation en air et la vanne de la plaque de cuisson doivent être fermées. Débrancher la fiche secteur pour le modèle CA.
2. Lorsque le régulateur de pression de gaz est en état GN et qu'il doit être converti en régulateur propane, dévisser dans le sens contraire des aiguilles d'une montre la tige filetée marquée, inverser la tige filetée, tourner la flèche PL vers le haut et la serrer au bouchon à vis, puis réinstaller le bouchon sur le régulateur de pression de gaz. La conversion au gaz du régulateur de pression de gaz doit être utilisée avec l'ensemble d'accessoires (Voir la configuration du brûleur pour connaître les spécifications de l'injecteur).
3. Retirer les brûleurs, les couvercles des brûleurs et dévisser pour sortir l'injecteur des socles des brûleurs. Puis installer ces injecteurs dans le sac de la trousse de conversion sur chacun des socles de brûleur de manière appropriée. Conserver les orifices retirés de l'appareil pour un usage ultérieur.

4. Pression d'admission d'entrée de 11 inH₂O(2740 Pa), recouvrir les joints d'injecteur et ceux du régulateur de pression de gaz avec une quantité modérée d'eau savonnée. Il ne devra pas avoir de montée de bulles.
5. Placer le brûleur, le couvercle du brûleur, vérifier que la position entre la tige d'allumage et le brûleur est correcte. Puis, ouvrir la vanne, le modèle CA branché à la prise secteur. Pour l'épreuve d'étanchéité, veuillez-vous référer à la page 13 qui traite de la section sur «Raccordement de gaz et vérification».
6. Tester la pression de sortie. La pression requise doit être de 10±1 inH₂O. Au cas où la pression ne peut pas satisfaire les exigences, il faut dévisser l'écrou du régulateur de pression suivant la Fig.22, tourner légèrement pour ajuster la pièces en plastique blanc à l'intérieur du régulateur de pression.



7. L'épreuve de combustion exige que le brûleur puisse être allumé en 5 secondes normalement, après 1 minute que la flamme se stabilise. Il ne doit pas y avoir de flamme élevée ni de flamme jaune.

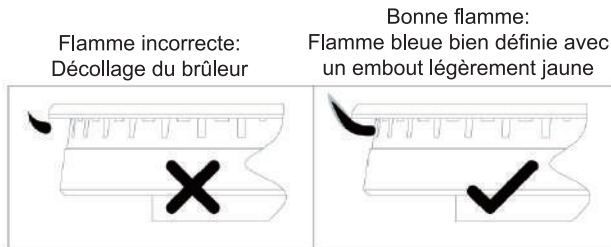


Fig.23 (Modèles de bonne et de mauvaise flammes)

8. De même, lorsque la plaque est utilisée sous l'état de GN, tourner la flèche marquée GN vers le haut et la serrer au bouchon à vis(Fig.22). Répéter l'opération ci-dessus. La pression de sortie requise doit être de 4 ± 1 inH₂O
9. Une fois la conversion terminée, l'étiquette de conversion dans le sac des accessoires doit être fixée près de l'étiquette originale.



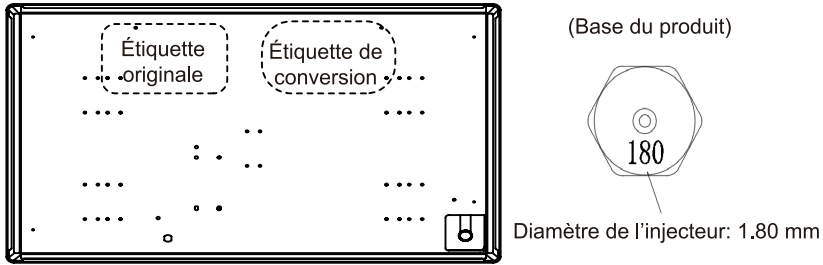


Fig.24

- 1#: Brûleur wok(Injecteur: GN- \varnothing 1.80 mm/Propane -1.18 mm)
 2#: Brûleur rapide(Injecteur: GN- \varnothing 1.52 mm/Propane -0.93 mm)
 3#: Brûleur semi rapide(Injecteur: GN- \varnothing 1.26 mm/Propane -0.79 mm)
 4#: Brûleur auxiliaire(Injecteur: GN- \varnothing 0.94 mm/Propane -0.62 mm)

⚠ AVERTISSEMENT

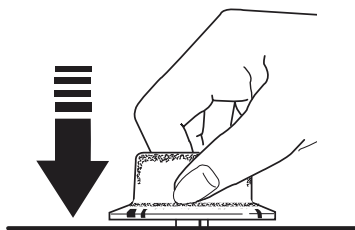
La trousse de conversion doit être installée par un technicien de service qualifié conformément aux instructions du fabricant et à tous les codes appliques, ainsi que les exigences de l'autorité compétente. Au cas où les renseignements contenus dans les présentes instructions ne sont pas respectés à la lettre, un incendie, une explosion ou la production du monoxyde de carbone peut se produire et entraîner des dommages matériels, des blessures corporelles ou des pertes en vies humaines. L'installation n'est correcte et complète que lorsque le fonctionnement de l'appareil converti est vérifié comme conforme aux instructions du fabricant qui sont livrées avec la trousse.

La liste complète des pièces d'identification de toutes les composantes est fournie ans ladite trousse.

Utilisation de la plaque de cuisson

Allumage

- Enfoncer simplement le bouton, le tourner dans la sens contraire des aiguilles d'une montre à la position «LITE».
- Appuyer le bouton de l'appareil et tenir le bouton jusqu'à ce que le brûleur s'allume.
- Avant de relâcher le bouton, se rassurer que la flamme a pris.
- Au cas où le brûleur ne s'allume pas, le mettre à la position arrêt et attendre au moins pendant 30 seconde, puis réessayer.



Pousser le bouton de commande et le tourner à la position «LITE».

Fig.25

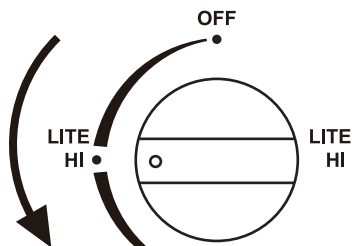


Fig.26

Rallumage

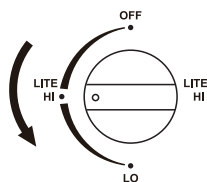
Au cas où la flamme s'éteint pour certaines raisons, le dispositif de sécurité va automatiquement couper l'alimentation en gaz. Tourner le bouton à la position «HI», puis rallumer. Vous devez attendre pendant 30 secondes lorsque vous faites cela. Du fait de la présence de l'air dans la pince, il peut y avoir un allumage non harmonieux. Tourner le bouton à la position «HI» et rallumer.

Allumage manuel

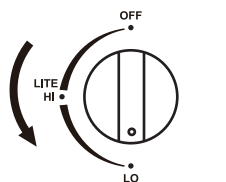
En cas de panne d'alimentation ou de panne d'allumage, une allumette ou un dispositif d'allumage doit être utilisé. Il faut être prudent lors de l'utilisation de cette méthode. L'appareil ne doit pas être manipuler pendant plus de 15s. Si au terme de 15s le brûleur n'est pas allumé, arrêter la manipulation de l'appareil et ouvrir la porte du compartiment et/ou attendre au moins 1 min avant d'essayer de rallumer le brûleur. En cas d'extinction accidentelle des flammes du brûleur, éteindre la commande du brûleur et ne pas essayer de rallumer le brûleur pendant au moins 1 min.

Régulation de la flamme

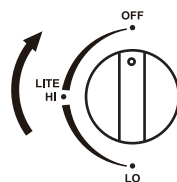
Avec l'ajustement correct des brûleurs, la flamme doit être d'un bleu clair et la flamme interne doit être claire. La taille de la flamme dépend de la position de la commande du bouton concerné.



-Brûleur ALLUMÉ grande flamme



-Brûleur ALLUMÉ petite flamme en mode économie



-Brûleur ÉTEINT

Fig.27



Pour réduire les flammes, tourner le bouton de commande dans le sens contraire des aiguilles d'une montre, partant de la position «HI» à la position «LO» jusqu'à ce que vous ressentiez la résistance.

Pour augmenter les flammes, tourner le bouton de commande dans le sens des aiguilles d'une montre, partant de la position «LO» à la position «HI» jusqu'à ce que vous ressentiez la résistance.

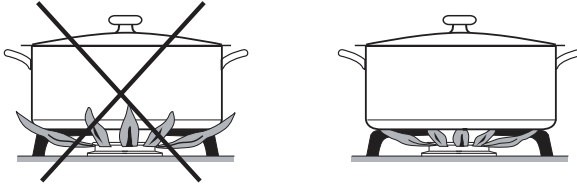


Fig.28

Puisque la portion externe de la flamme est bien plus chaude que le centre, la flamme doit être réglée de manière à ne pas s'étendre au-delà des bords de la casserole. Les embouts de flamme qui s'étendent au-delà de la casserole sont dangereux.

Extinction

Tourner la commande du bouton dans le sens des aiguilles d'une montre à «OFF».

Taille des casseroles

- Régler la plaque de cuisson à une flamme élevée lorsque vous utilisez une casserole à grand diamètre et une flamme basse lorsque vous utilisez des casseroles à petit diamètre.

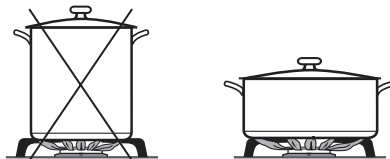


Fig.29

- Généralement, des casseroles larges/peu profondes vont chauffer rapidement et faire la cuisson de manière plus homogène que les casseroles étroites et longues.

- L'utilisation des casseroles aux tailles surdimensionnées peuvent entraîner l'expansion des flammes et endommager le pourtour de la surface du plan de travail ou la surface du plan de travail d'autres appareils. La taille de casseroles appropriée augmentera également l'efficacité.
- Ne pas utiliser de petites casseroles avec des flammes aux paramètres élevés. Les flammes pourraient prendre les côtés de la casserole.

Lors de l'activation du secteur, après l'installation ou une coupure d'énergie, il est très normal que le générateur d'étincelles soit activé automatiquement. Pour garantir une efficacité maximale du brûleur, vous ferez mieux d'utiliser des marmites et des casseroles ayant une base plate et dont la taille correspond à celle du brûleur utilisé(voir le tableau).

Ne pas utiliser des ustensiles à base de jantes ou à base convexe sur les brûleurs de la plaque de cuisson.

Brûleur	Diamètre de la casserole sur GN	Diamètre sur propane
Brûleur wok(Brûleur à trois anneaux)	9"/229 mm	12"/305 mm
Brûleur rapide	9"/229 mm	9"/229 mm
Brûleur semi rapide	7"/178 mm	7"/178 mm
Brûleur auxiliaire	7"/178 mm	7"/178 mm

Nettoyage et entretien

Surfaces en acier inoxydable

Ne pas utiliser un tampon à récurer; il va rayer la surface.

Pour nettoyer une surface en acier inoxydable, utiliser de l'eau savonneuse tiède ou un outil de nettoyage approprié pour l'acier inoxydable ou polir.

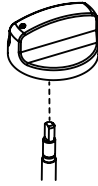
Toujours nettoyer la surface dans le sens du grain. Respecter les instructions données par le nettoyeur dans le nettoyage des surfaces en acier inoxydable.

Nettoyage des boutons

Pour un nettoyage plus aisé, les boutons de commande peuvent être retirés en les tirant directement vers le haut dès que les boutons sont en position OFF. Les boutons peuvent être lavés à la main avec de l'eau et du savon ou dans un lave-vaisselle.

Pour remplacer les boutons après le nettoyage, aligner le trou à l'arrière du bouton avec la tige de vanne de gaz et pousser vers le bas jusqu'à ce que le bouton soit bien serré. Tous les boutons sont interchangeables.





Tirer le bouton directement d'un seul trait la tige.

Fig.30

Retrait des brûleurs de surface pour nettoyage

Tourner tous les brûleurs à la position OFF Laisser la plaque de cuisson se refroidir avant d'enlever les grilles et les pièces du brûleur. Lors du retrait des capots et des têtes de brûleur, se rappeler de leur taille et de leur emplacement. Les replacer dans les mêmes emplacements après le nettoyage.

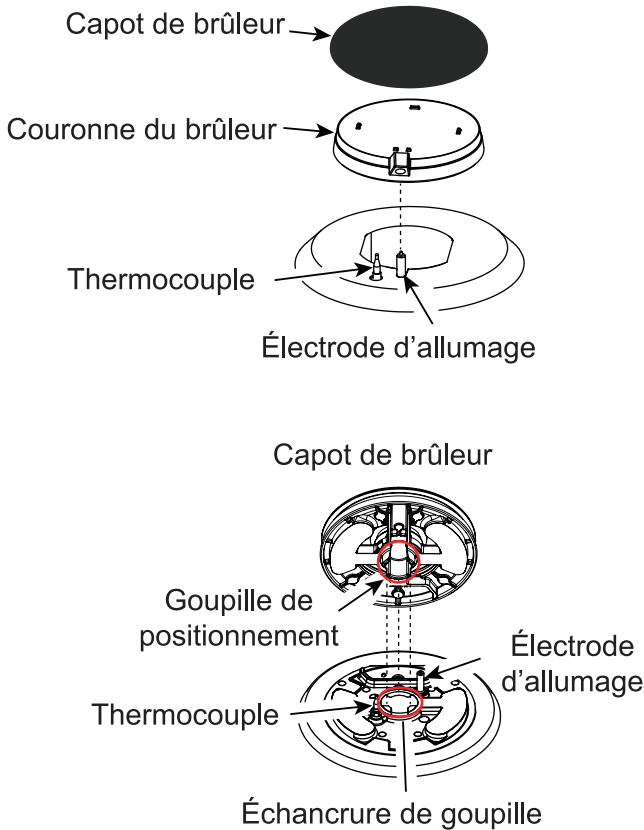


Fig.31

⚠ PRECAUTION

Les pièces accessibles peuvent être chaudes lorsque le gril est utilisé. Les petits enfants doivent être tenus à distance. Placer le brûleur sur le socle du brûleur une à un et enfoncer, faire tourner à gauche et à droite pour vérifier si les brûleurs sont en place. Le brûleur est placé correctement lorsqu'il ne peut être tourné. Enfin, placer le capot du brûleur au centre du brûleur. Au cas où il vous est impossible d'allumer la flamme, même après plusieurs tentatives, vérifier si le brûleur est correctement positionné. Pour éteindre la flamme, tourner le bouton vers le symbole «OFF».

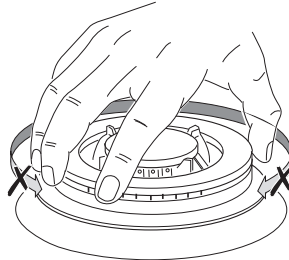


Fig.32

⚠ AVERTISSEMENT

Dès que le liquide commence à bouillir, baisser la flamme pour qu'elle puisse simplement mijoter. Au cas où les boutons de commande commencent à durcir, veuillez contacter votre centre de service local. Les utilisateurs ne pouvaient pas utiliser des ustensiles de cuisine qui surpassent les extrémités de la plaque de cuisson sur cette dernière. Tous les capots de brûleur ne peuvent être déplacés à l'installation. Sinon, cela induira un effet de retour de flamme sur les sièges en aluminium supérieurs et causera la fonte et la déformation des sièges en aluminium. Voir les dessins ci-dessous pour le placement correct des capots de brûleur.



Fig.33

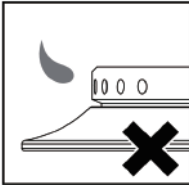


Entretien et résolution des problèmes

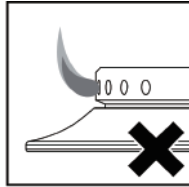
Entretien--Une fois l'an.

1. Garder propre l'espace où est gardé l'appareil et exempt de toutes matières combustibles, de l'essence et des vapeurs et liquides inflammables.
2. Ne pas obstruer la combustion à flux et l'air de ventilation.
3. Vérifier à la vue le(s) pilote(s) et les flammes du brûleur. Veuillez consulter les images ci-dessous et respecter l'instruction.

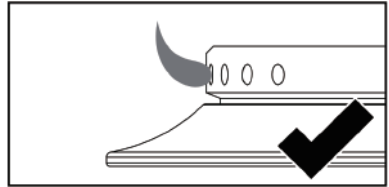
Flamme incorrecte:
«décollage» du brûleur



Flamme incorrecte:
embout jaune



Bonne flamme: Flamme bleue bien
définie sans embout jaune



4. Nettoyage de l'appareil, y compris les surfaces spéciales du four, avec des produits de nettoyage recommandés, le cas échéant.
5. Lubrification des pièces amovibles, le cas échéant, y compris le type et la quantité de lubrifiant.

Au cas où vous trouvez que la plaque de cuisson à gaz ne peut fonctionner tout à coup ou ne peut fonctionner correctement. Avant d'appeler le service client pour l'assistance, laissez-nous vérifier pour voir ce que nous pouvons faire.

Tout d'abord, vérifier et confirmer qu'il n'y a eu aucune interruption dans l'alimentation du gaz et de l'électricité. En particulier au cas où la vannes de gaz demeurent ouvertes.

Si après avoir vérifié tous ces éléments, la plaque de cuisson à gaz ne fonctionne toujours pas correctement, veuillez appeler l'équipe du service client de thermomate. Ne jamais appeler les techniciens non autorisés et refuser d'utiliser des pièces détachées qui ne proviennent pas du fabricant.



Problème	Causes Possibles	Action À Poser
Aucune étincelle lorsque le bouton de commande est appuyé.	Aucune alimentation.	Vérifier si c'est branché et allumé. Vérifier le disjoncteur du secteur.
	Relâcher le câble de l'étinceleur.	Vérifier si le câble de l'étinceleur est lâche.
	Le brûleur n'est pas correctement aligné.	Retirer et remplacer le brûleur.
Le brûleur ne s'allume pas lorsque l'allumage par étincelle fonctionne.	L'alimentation en gaz est arrêtée.	Vérifier si la vanne d'alimentation en gaz est ouverte.
	Le sens d'installation du régulateur de gaz est incorrect.	Inverser le sens pour réinstaller.
	Installer un régulateur de gaz haute pression.	Remplacer un régulateur de gaz haute pression.
	Le brûleur n'est pas correctement aligné. Les ports du brûleur sont bloqués.	Retirer et remplacer le brûleur.
Le brûleur s'éteint lorsque le bouton de commande est relâché.	La sauvegarde de la flamme n'est pas activée.	Rallumer, laisser plus de temps pour que s'active la sauvegarde de la flamme.
	Le raccordement de la sauvegarde de la flamme est défectueux ou brisé.	Vérifier le câble de raccordement du thermocouple s'il est desserré ou brisé.
Modèle de flamme inégal ou légère élévation de la flamme.	Les ports du brûleur sont bloqués ou dislocation du brûleur.	Retirer, nettoyer et remplacer le brûleur. Reconstituer le brûleur.
Au réglage minimal de la flamme, celle-ci est trop élevée.	Le réglage de la baisse de la flamme est incorrect.	Ajuster la vis au niveau minimal.



Problème	Causes Possibles	Action À Poser
Petite flamme au niveau élevé.	Détendeur défectueux.	Choisir un détendeur correct.
	La pression d'alimentation du gaz est basse.	Vérifier l'alimentation en gaz.
	Injecteur inapproprié installé.	Vérifier si l'injecteur est correct.
	Injecteur ou le tuyau d'alimentation en gaz est bloqué.	Vérifier si l'injecteur et le tuyau d'alimentation en gaz sont bloqués.
	Taille incorrecte de l'ustensile.	Choisir un ustensile approprié.
Flamme trop élevée au réglage élevé.	Régulateur défectueux (la pression du gaz est trop élevée).	Choisir un régulateur de gaz aux spécifications appropriées)
	Injecteur inapproprié installé.	Vérifier l'injecteur s'il est correct et le remplacer.
	Taille incorrecte de l'ustensile.	Choisir un ustensile approprié.
Les extrémités de la flamme sont jaunes	Type d'alimentation en gaz incorrecte ou détendeur de gaz incorrect.	Vérifier si le type d'alimentation de gaz et le détendeur de gaz sont corrects.

Garantie

Toutes les questions relatives au fonctionnement, au service d'entretien ou à la garantie de cette plaque de cuisson à gaz doivent être envoyées à thermomate. Vous pouvez contacter thermomate pour un service après-vente au cours de la période de garantie par l'une des méthodes suivantes:

Numéro d'urgence: 1(844) 334-4203

Courriel: support@thermomate.com



☎ 1 (844) 334-4203

🌐 www.thermomate.com

✉ support@thermomate.com

📍 3330-A Marathon Ct Charleston, SC 29418

