



Electric Ceramic Cooktop

Live Smart, Better Life!

CHMB774C & CHMB915C

Instruction / Installation Manual

📞 1 (844) 334-4203

🌐 www.thermomate.com

✉ support@thermomate.com

📍 3330-A Marathon Ct Charleston, SC 29418

Contents

Safety Precautions 02

Radiant Surface Elements 04

Features Of Your Cooktop..... 06

Using The Surface Elements..... 07

Important Safety Instructions..... 12

Electrical Requirements..... 13

Installation Instructions..... 14

Installing - Electrical Connections..... 19

Before You Call For Service 21



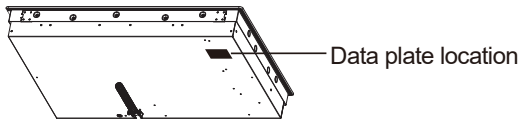
⚠ WARNING! For your safety, the information in this manual must be followed to minimize the risk of fire or explosion, electric shock, or to prevent property damage, personal injury, or loss of life.

READ AND FOLLOW THIS SAFETY INFORMATION CAREFULLY.
SAVE THESE INSTRUCTIONS.

Safety Precautions

When using electrical appliances, basic safety precautions should be followed, including the following:

- Use this appliance only for its intended use as described in this manual.
- Do not attempt to repair or replace any part of your cooktop unless it is specifically recommended in this manual. All other servicing should be referred to a qualified technician.
- Before performing any service, disconnect the cooktop power supply at the household distribution panel by removing the fuse or switching off the circuit breaker.
- Be sure your appliance is properly installed and grounded by a qualified technician in accordance with the provided installation instructions. This appliance must be supplied with the proper voltage and frequency, and connected to an individual, properly grounded branch circuit, protected by a circuit breaker or fuse acceptable for the indicated wattage on the data plate.



- Have the installer show you the location of the circuit breaker or fuse. Mark it for easy reference.
- Do not leave children alone—children should not be left alone or unattended in an area where an appliance is in use. They should never be allowed to sit or stand on any part of the appliance.
- Teach children not to play with the controls or any other part of the cooktop.
- Do not allow anyone to climb, stand or hang on the cooktop.
- **⚠ CAUTION:** Items of interest to children should not be stored in cabinets above a cooktop—children climbing on the cooktop to reach items could be seriously injured.
- Always keep combustible wall coverings, curtains or drapes a safe distance from your cooktop.

- Always keep dishtowels, dishcloths, pot holders and other linens a safe distance away from your cooktop.
- Always keep wooden and plastic utensils and canned food a safe distance away from your cooktop. They may become hot and could cause burns.
- Never wear loose-fitting or hanging garments while using the appliance. Flammable material could be ignited if brought in contact with hot surface elements and may cause severe burns.
- Use only dry potholders - moist or damp potholders on hot surfaces may result in burns from steam. Do not let potholders touch hot surface elements. Do not use a towel or other bulky cloth. Such clothes can catch fire on a hot surface element.
- For your safety, never use your appliance for warming or heating the room.
- Do not use water on grease fires. Never pick up a flaming pan. Turn the controls off. Smother a flaming pan on a surface element by covering the pan completely with a well-fitting lid, cookie sheet or flat tray. Use a multi-purpose dry chemical or foam-type extinguisher. Flaming grease outside a pan can be put out by covering with baking soda or, if available, by using a multi-purpose dry chemical or foam-type fire extinguisher.
- Do not flame foods on the cooktop. If you do flame foods under the hood, turn the fan on.
- Do not let cooking grease or other flammable materials accumulate on the cooktop.
- Do not touch surface elements. These surfaces may be hot enough to burn even though they are dark in color. During and after use, do not touch, or let clothing or other flammable materials contact the surface elements or areas nearby the surface elements; allow sufficient time for cooling first. Potentially hot surfaces include the cooktop and areas facing the cooktop.
- To minimize the possibility of burns, ignition of flammable materials and spillage, the handle of a container should be turned toward the center of the cooktop without extending over any nearby surface elements.
- Always turn the surface element control off before removing the cookware.
- Use proper pan size - Select cookware having flat bottoms large enough to cover the surface element heating element. The use of undersized cookware will expose a portion of the surface element to direct contact and may result in ignition of clothing. Proper relationship of cookware to surface element will also improve efficiency.
- Never leave surface elements unattended at high heat settings. Boilovers cause smoking and greasy spillovers that may catch on fire.
- Only certain types of glass, glass/ceramic, earthenware or other glazed containers are suitable for cooktop cooking; others may break because of the sudden change in temperature.
- Keep an eye on foods being fried at high or medium-high heat settings.



- Foods for frying should be as dry as possible. Frost on frozen foods or moisture on fresh foods can cause hot fat to bubble up and over the sides of the pan.
- Use little fat for effective shallow or deep-fat frying. Filling the pan too full of fat can cause spillovers when food is added.
- If a combination of oils or fats will be used in frying, stir together before heating, or as fats melt slowly.
- Always heat fat slowly, and watch as it heats.
- Use a deep fat thermometer whenever possible to prevent overheating fat beyond the smoking point.
- Never try to move a pan of hot fat, especially a deep fat fryer. Wait until the fat is cool.
- Do not store flammable materials near the cooktop.
- Keep the hood and grease filters clean to maintain good venting and to avoid grease fires.
- Do not store or use combustible materials, gasoline or other flammable vapors and liquids in the vicinity of this or any appliance.
- Clean only parts listed in this user manual.
- Do not leave paper products, cooking utensils or food on the cooktop when not in use.
- Keep cooktop clean and free of accumulation of grease or spillovers which may ignite.
- Never heat unopened food containers. Pressure buildup may make container burst and cause injury.
- Never leave jars or cans of fat drippings on or near your cooktop.

Radiant Surface Elements

Use care when touching the cooktop. The glass surface of the cooktop will retain heat after the controls have been turned off.

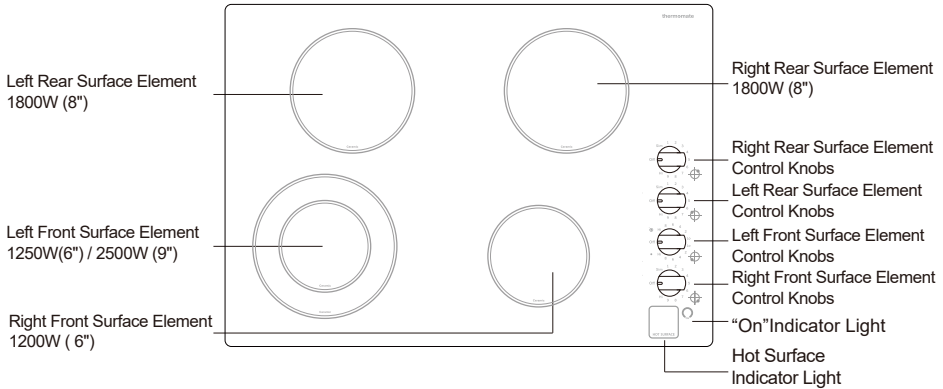
- Avoid scratching the glass cooktop. The cooktop can be scratched with items such as sharp instruments, rings or other jewelry and rivets on clothing.
- Never use the glass cooktop surface as a cutting board.
- Do not place or store items on top of the glass cooktop surface when it is not in use.
- Be careful when placing spoons or other stirring utensils on glass cooktop surface when it is in use. They may become hot and could cause burns.
- Avoid heating an empty pan. Doing so may damage the cooktop and the pan.
- Do not allow water, other liquids or grease to remain on the cooktop.

- To minimize the possibility of burns, always be certain that the controls for all surface elements are at the off position and the entire glass surface is cool before attempting to clean the cooktop.
- Do not operate the glass surface elements if the glass is broken. Spillovers or cleaning solution may penetrate a broken cooktop and create a risk of electrical shock. Contact a qualified technician immediately should your glass cooktop become broken.
- Clean the cooktop with caution. If a wet sponge or cloth is used to wipe spills on a hot surface element, be careful to avoid steam burns. Some cleaners can produce noxious fumes if applied to a hot surface.
- NOTE: We recommend that you avoid wiping any surface element areas until they have cooled and the indicator light has gone off. Sugar spills are the exception to this. Please see the page Cleaning the Glass Cooktop section.
- To avoid possible damage to the cooking surface, do not apply the cleaning cream to the glass surface when it is hot.
- After cleaning, use a dry cloth or paper towel to remove all the cleaning cream residue.
- Read and follow all instructions and warnings on the cleaning cream labels.
- Use care when touching the cooktop. The glass surface of the cooktop will retain heat after the controls have been turned OFF.
- Do not stand on the glass cooktop.
- Large scratches or impacts to glass cooktops can lead to broken or shattered glass.



Features of your cooktop.

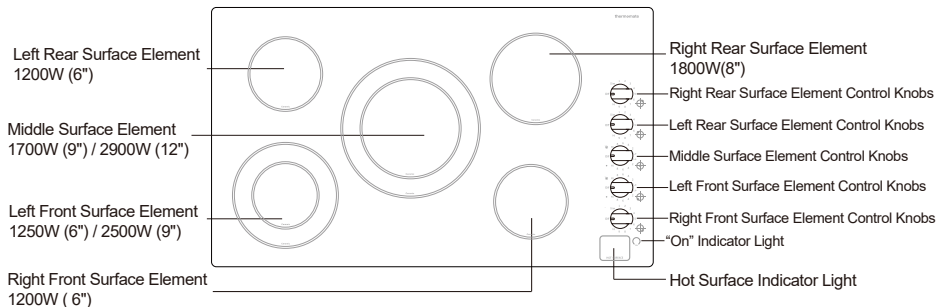
CHMB774C



Rated Voltage: AC 240V 60Hz or AC 208V, 60Hz

Power range: AC 208V to 240V, 60Hz

CHMB915C



Rated Voltage: AC 240V 60Hz or AC 208V, 60Hz

Power range: AC 208V to 240V, 60Hz

Using the surface elements.

Throughout this manual, features and appearance may vary from your model.

How to Set

Push the knob down and turn in either direction to the setting you want. When the control is in any position other than Off, it may be rotated without pushing it down.

At **Off**, **Hi** and **Simmer**, the control clicks into position. You may hear slight clicking sounds during cooking, indicating the control is keeping the power level you set.

The controls for the radiant surface elements can be set anywhere between **Simmer** and **Hi** for an unlimited number of heat settings.

With the infinite switch, the element cycles on and off to maintain your selected control setting.

The **On** indicator light will glow when any surface element is on.

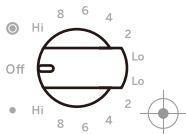
A Hot Surface indicator light will glow when any radiant element is turned on and will remain on until the surface is cooled to approximately 150°F(65°C).

Dual-ring Element

The dual-ring element offers the flexibility to use cookware that has either a small or large diameter bottom. The dual element has both an inner and outer radiant ring. You can select to use either the • (inner) element or ● (both inner and outer) element.

- For cookware with a smaller diameter bottom, press down and turn the control knob counterclockwise to the • (inner) element side of the control.
- For cookware with a larger diameter bottom, press down and turn the control knob clockwise to the ● (inner and outer) element side of the control.
- For best low heat performance with pans 10" (25.4 cm) and larger, use the ● element set to • "**LO**".
- There are an infinite number of temperature settings between the **LO** and **Hi** position. Turn the knob from **LO** to **Hi** (or any temperature in between).

Note: Fixed positions are found at **LO** and **Hi** to define minimum and maximum heat setting.



Note:

- It comes on when the element is hot to the touch.
- It stays on even after the element is turned off.
- It glows brightly until the element is cooled to approximately 150°F(65°C).
- Be sure you turn the control knob Off when you finish cooking.



About the radiant surface elements...

The radiant cooktop features heating elements beneath a smooth glass surface.

Note: A slight odor is normal when a new cooktop is used for the first time. It is caused by the heating of new parts and insulating materials and will disappear in a short time.

Note: On models with light-colored glass cooktops, it is normal for the cooking zones to change color when hot or cooling down. This is temporary and will disappear as glass cools to room temperature.

The surface element will cycle on and off to maintain your selected control setting. It is safe to place hot cookware (from the oven or surface) on the glass cooktop when the surface is cool.

Even after the surface elements are turned off, the glass cooktop retains enough heat to continue cooking.

To avoid overcooking, remove pans from the surface elements when the food is cooked.

Avoid placing utensils that could become hot or plastics that could melt on the surface element until it has cooled completely.

- Always center the pan on the surface element you are using.
- Never cook directly on the glass. Always use cookware.
- Water stains (mineral deposits) are removable using the cleaning cream or full strength white vinegar.
- Use of window cleaner may leave an iridescent film on the cooktop. The cleaning cream will remove this discoloration.
- Don't store heavy items above the cooktop. If they drop onto the cooktop, they can cause damage.
- Do not use the surface as a cutting board.
- Do not slide cookware across the cooktop because it can scratch the glass. The glass is scratch-resistant, not scratch proof.

Surface elements cycle on and off

Surface elements will cycle on and off to maintain the temperature you have selected.

All radiant surface elements have a temperature limiter that protects the glass cooktop from getting too hot.

The temperature limiter may cycle the elements off while cooking if :

- The pan boils dry.
- The pan bottom is not flat.
- The pan is off-center.
- There is no pan on the element.

Selecting types of cookware.

The following information will help you choose cookware which will give good performance on glass cooktops.

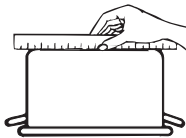
Cookware characteristics

- Aluminum: heats and cools quickly. Frying, braising, roasting. May leave metal markings on glass.
- Cast Iron: on a glass cooktop heats and cools slowly, but retains heat and cooks evenly.
- Copper: tin heats and cools quickly. Gourmet cooking, wine sauces, egg dishes.
- Enamelware: response depends on base metal. Not recommended. Imperfections in enamel may scratch cooktop.
- Glass Ceramic: heats and cools slowly. Not recommended. Heats too slowly. Imperfections in enamel may scratch cooktop.
- Stainless Steel: heats and cools moderately. Soups, sauces, vegetables, and general cooking.

Selecting types of cookware.

For best results

- Place only dry pans on the surface elements. Do not place lids on the surface elements, particularly wet lids.
- Do not use woks that have support rings. This type of wok will not heat on glass surface elements.
- We recommend that you use only a flat-bottomed wok. They are available at your local retail store. The bottom of the wok should have the same diameter as the surface element to ensure proper contact.
- Some special cooking procedures require specific cookware such as pressure cookers, deep-fat fryers, etc. All cookware must have flat bottoms and be the correct size.



Check pans for flat bottoms by using a straight edge.



Pans with rounded, curved, ridged or warped bottoms are not recommended.



Right!



Do not place wet pans on the glass cooktop.



Do not use woks with support rings on the glass cooktop.



Do not operate the cooktop without utensil on the hotplate.



Use flat-bottomed woks on the glass cooktop.



Observe the following points in canning

Pots that extend beyond 1" of the surface element's circle are not recommended for most surface cooking. However, when canning with water-bath or pressure canner, larger-diameter pots may be used. This is because boiling water temperatures (even under pressure) are not harmful to the cooktop surfaces surrounding the surface elements.

HOWEVER, DO NOT USE LARGE- DIAMETER CANNERS OR OTHER LARGE-DIAME-TER POTS FOR FRYING OR BOILING FOODS OTHER THAN WATER. Most syrup or sauce mixtures-and all types of frying-cook at temperatures much higher than boiling water. Such temperatures could eventually harm the glass cooktop surfaces.

1. Be sure the canner fits over the center of the surface element. If your cooktop or its location does not allow the canner to be centered on the surface element, use smaller-diameter pots for good canning results.
2. Flat-bottomed canners must be used. Do not use canners with flanged or rippled bottoms (often found in enamelware) because they don't make enough contact with the surface elements and take a long time to boil water.
3. When canning, use recipes and procedures from reputable sources. Reliable recipes and procedures are available from the manufacturer of your canner; manufacturers of glass jars for canning, and the United States Department of Agriculture Extension Service.
4. Remember that canning is a process that generates large amounts of steam. To avoid burns from steam or heat, be careful when canning.

Note: If your house has low voltage, canning may take longer than expected, even though directions have been carefully followed. The processing time will be shortened by:

- a. Using a pressure canner
- b. Starting with HOT tap water for fastest heating of large quantities of water.

CAUTION:

- Safe canning requires that harmful microorganisms are destroyed and that the jars are sealed completely. When canning foods in a water-bath canner, a gentle but steady boil must be maintained for the required time. When canning foods in a pressure canner, the pressure must be maintained for the required time.
- After you have adjusted the controls, it is very important to make sure the prescribed boil or pressure levels are maintained for the required time.
- Since you must make sure to process the canning jars for the prescribed time, with no interruption in processing time, do not can on any cooktop surface element if your canner is not flat.

Important:

- Before cleaning, make sure all controls are off and the cooktop is cool.
- It is recommended to first use soap, water and a soft cloth or sponge unless otherwise noted. Do not use abrasive cleaning products. Always follow label instructions on cleaning products.

Ceramic glass

The ceramic glass should be cleaned regularly, preferably after each use.

Important: To avoid damaging the cooktop, do not use steel wool, abrasive powder cleansers, chlorine bleach, rust remover or ammonia.

To Clean the Ceramic Glass Cooktop:

1. Remove food/residue with a cooktop scraper (not included).
 - For best results, use the cooktop scraper while the cooktop is still warm, but not hot to the touch.
 - It is recommended to wear an oven mitt while scraping the warm cooktop.
 - Hold the cooktop scraper at a 45 degree angle against the glass surface and scrape the residue. It will be necessary to apply pressure in order to remove the residue.
 - Allow the cooktop to cool down completely before proceeding to Step 2.
2. Apply a few drops of cooktop cleaner to the affected areas.
 - Rub cooktop cleaner onto the cooktop surface with a nylon or similar cooktop cleaning pad. Some pressure is needed to remove stubborn stains.
 - Allow the cleaner to dry to a white haze before proceeding to Step 3.
3. Polish with a clean, dry cloth or a clean, dry paper towel.

Smudges from pans with an aluminum bottom

Cleaning Method:

A cloth dampened in vinegar

Control knobs

- Pull knobs straight away from control panel to remove.
- When replacing knobs, make sure knobs are in the Off position.

Cleaning Method:

Soap and water or dishwasher.

Note: Do not use steel wool, abrasive cleansers or oven cleaner. Do not soak knobs.



Control panel

Cleaning Method:

Glass cleaner and soft cloth or sponge: Apply glass cleaner to soft cloth or sponge, not directly on panel.

Note: Do not use abrasive cleaners, steel-wool pads, gritty washcloths or some paper towels. Damage may occur.

BEFORE YOU BEGIN Read these instructions completely and carefully.

- Important — Save these instructions for local inspector's use.
- Important — Observe all governing codes and ordinances.
- Note to installer – Be sure to leave these instructions with the consumer.
- Note to consumer – Keep these instructions for future reference.
- Product failure due to improper installation is not covered under the warranty.

⚠ WARNING: This appliance must be properly grounded.

- **ATTENTION INSTALLER — ALL COOKTOPS MUST BE HARD WIRED (DIRECT WIRED) INTO AN APPROVED JUNCTION BOX. A “PLUG AND RECEPTACLE” IS NOT PERMITTED ON THESE PRODUCTS.**
- Proper installation is the responsibility of the installer and product failure due to improper installation is NOT covered under warranty.

Important Safety Instructions

For your safety

- For Personal Safety, remove house fuse or open circuit breaker before beginning installation. Failure to do so could result in serious injury or death.
- Be sure your cooktop is installed properly by a qualified installer or service technician.
- To eliminate the risk of burns or fire due to reaching over heated surface elements, cabinet storage located above the surface units should be avoided. If cabinet storage space is to be provided, the risk can be reduced by installing a range hood that projects horizontally a minimum of 5" beyond the bottom of the cabinets. Cabinet installation above the cooktop may be no deeper than 13".
- Make sure the cabinets and wall coverings around the cooktop can withstand the temperatures (up to 200°F(93°C)) generated by the cooktop.
- The cooktop should be easy to reach and lighted with natural light during the day.

- Always disconnect the electrical service to the cooktop before repairing or servicing the cooktop. This can be done by disconnecting the fuse or circuit breaker. Failure to do this could result in a dangerous or fatal shock. Know where your main disconnect switch is located. If you do not know, have your electrician show you.
- State of California Proposition 65 Warnings

WARNING This product contains chemicals known to the State of California to cause cancer, birth defects or other reproductive harm.

Electrical Requirements

This appliance must be supplied with the proper voltage and frequency, and connected to an individual, properly grounded branch circuit, protected by a circuit breaker or a time delay fuse as noted on data plate.

We recommend you have the electrical wiring and hookup of your cooktop connected by a qualified electrician. After installation, have the electrician show you where your main cooktop disconnect is located.

Wiring must conform to National Electrical Code. You can get a copy of the National Electrical Code, ANSI/NFPA No. 70-Latest Edition, by writing:
National Fire Protection Association
Batterymarch Park
Quincy, MA 02269

In Canada, wiring must conform to the Canadian Electrical Code (CEC). The cooktop conduit wiring is approved for copper wire connection only, and if you have aluminum house wiring, you must use special UL approved connectors for joining copper to aluminum. In Canada, you must use special CSA approved connectors for joining copper to aluminum.

You must use a two-wire, three conductors 208/240 VAC, 60 Hertz electrical system. A white(neutral) wire is not needed for this unit. The cooktop must be installed in a circuit that does not exceed 125 VAC nominal to ground. Refer to the data plate on your cooktop for the KW rating for your cooktop.



Pre-installation checklist

⚠ WARNING The electrical power to the cooktop supply line must be shut off while connections are being made. Failure to do so could result in serious injury or death.

- A. When preparing cooktop opening, make sure the inside of the cabinet and the cooktop do not interfere with each other. (See section on preparing the opening.)
- B. Remove packaging materials and literature package from the cooktop before beginning installation.
- C. Remove installation instructions from literature pack and read them carefully before you begin. Be sure to place all literature, user manual, installations, etc. in a safe place for future reference.
- D. Make sure you have all the tools and materials you need before starting the installation of the cooktop.
- E. Your home must provide the adequate electrical service needed to safely and properly use your cooktop. (Refer to section on electrical requirements.)
- F. When installing your cooktop in your home, make sure all local codes and ordinances are followed exactly as stated.
- G. Make sure the wall coverings, countertop and cabinets around the cooktop can withstand heat (up to 200°F (93°C)) generated by the cooktop.

Parts included

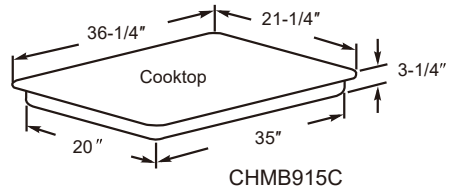
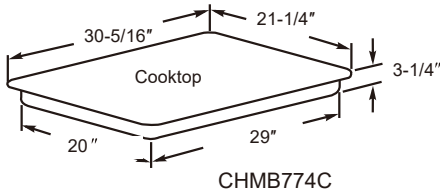
- Foam tape
- 2 Hold-down brackets
- 2 Thumbscrews
- Mounting template

Installation Instructions

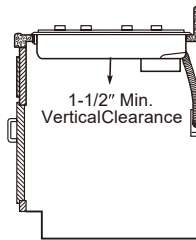
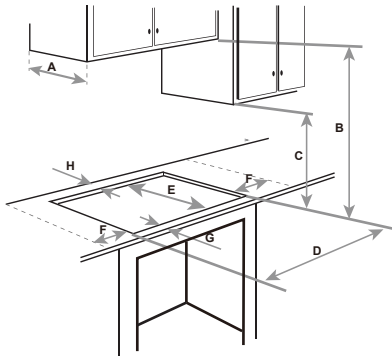
Preparing the opening

- The following MINIMUM clearance dimensions must be maintained.
If a 30" clearance between the cooking surface and overhead combustible materials or metal cabinets cannot be maintained, a minimum clearance of 24" is required and the underside of the cabinets above the cooktop must be protected with not less than 1/4"-thick flame-retardant millboard covered with not less than No. 28 MSG sheet steel, 0.015"-thick stainless steel, 0.024"-thick aluminum, or 0.020"-thick copper.

• Overall cooktop dimensions



- One and one-half inches (1-1/2") minimum vertical clearance between the cooktop bottom and any combustible surfaces.
- Installations dimensions and clearances
To ensure accuracy, it is best to use template when cutting the opening in the counter.



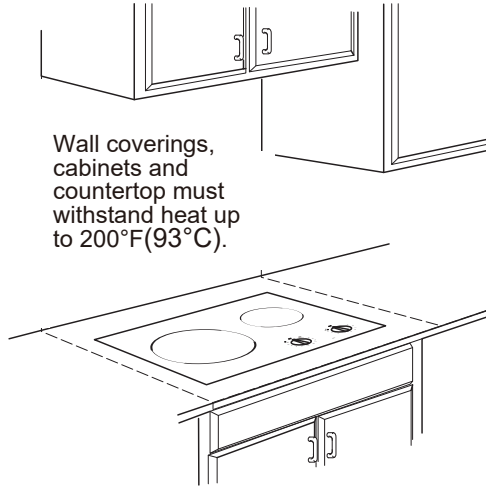
		CHMB774C	CHMB915C
A	MAX.depth of unprotected overhead cabinets	13"	13"
B	MIN. clearance from countertop to unprotected overhead surface	30"	30"
C	MIN. height from countertop to nearest cabinet on either side of unit	18"	18"
D	Width of cutout	29-3/8"	35-3/8"
E	Depth of cutout	20-3/8"	20-3/8"
F	MIN. clearance from cutout to left or right side walls	1-3/4"	1-3/4"
G	MIN. from front edge of cutout and front edge of countertop	2-3/4"	2-3/4"
H	MIN. between cutout and the wall behind the cooktop	2"	2"



Horizontal installation with controls at the front

In this installation, the cooktop must be installed with the control knobs toward the front edge.

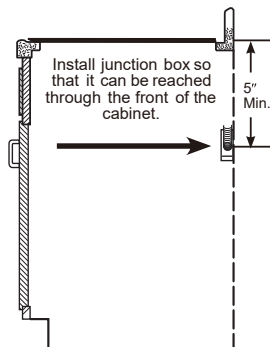
Make sure the wall coverings, countertop and cabinets around the cooktop can withstand heat (up to 200°F(93°C)) generated by the cooktop.



Installing the cooktop

1. Installing the junction box

Install an approved junction box where it will be easily reached through the front of the cabinet where the cooktop will be located. The cooktop conduit is 51" long.



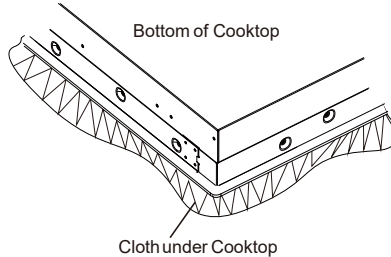
Important:

The junction box must be located where it will allow considerable slack in the conduit for serviceability.

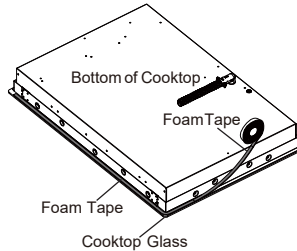
MIN. from front edge of cutout and front edge of countertop.

2. Protect surface of cooktop

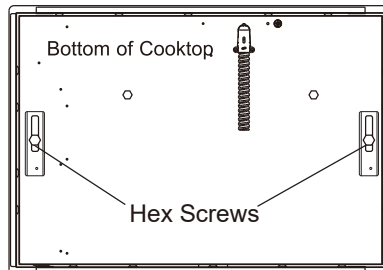
Place a towel or tablecloth onto the countertop. Lay the cooktop upside down onto the protected surface.

**3. Attach foam tape**

Apply the foam tape around the outer edge of the glass. Do not overlap the foam tape.

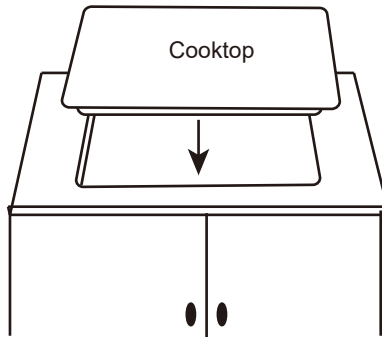
**4. Locate mounting parts**

On the underside of the cooktop, you will find the hex screws. Remove and use these hex screws to mount the brackets at these two locations. Do not tighten. Turn the bracket inward to avoid interference when dropping the cooktop into the countertop.



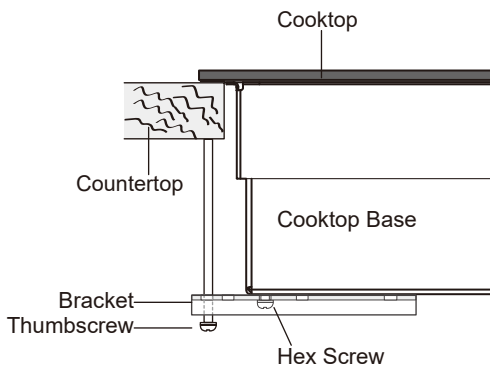
5. Insert cooktop into cutout

Insert the cooktop centered into the cutout opening. Make sure the front edge of the countertop is parallel to the cooktop. Make final check that all required clearances are met.



6. Attach hold-down brackets to cabinet

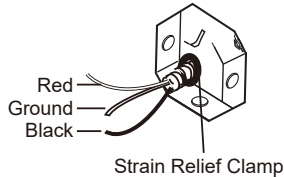
Open the cabinet door. Rotate the brackets to overlap with the underside of the countertop. Then tighten the hex screw. Install the thumbscrew until it touches the bottom of the countertop.



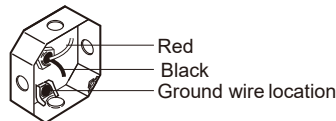
Important: Turn the thumbscrew until it touches the bottom of the countertop. Do not overtighten.

Installing - Electrical Connections

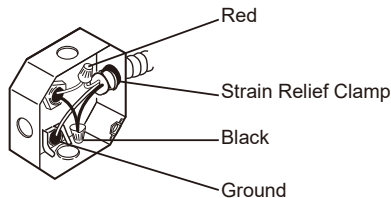
- A. When making the wire connections, use the entire length of conduit provided. The conduit must not be shortened.
- B. With the cooktop in place, open the front of the cabinet door.
- C. Insert the wires from the conduit through the opening of the junction box.



- D. Connect the red and black leads from the cooktop conduit to the corresponding leads in the junction box.



- E. Once the connections are made, secure wires together using wire nuts.



Grounding instructions:

The bare ground wire in the conduit is connected to the cooktop frame. Effective January 1, 1996, the National Electrical Code will not permit grounding through neutral. If used in new construction after January 1, 1996 or in a mobile home, recreational vehicle or if local codes do not permit grounding through the neutral white lead, attach the appliance grounding lead (green or copper) to the residence grounding conductor (green or bare copper) in accordance with local codes.

When connecting to a 3 conductor branch circuit, if local codes permit, connect the bare ground connector lead of the cooktop to the branch circuit neutral (gray or white in color).



⚠ Important:

If the cooktop is being installed into a blind counter (one with no cabinet opening below), wire connections must be made before putting the cooktop into the cutout opening.

1. Pre-test checklist

- A. Remove all protective film, if present, and any stickers.
- B. Check to be sure that all wiring is secure and not pinched or in contact with moving parts.
- C. Check level of appliance.
- D. Check that the cooktop is properly grounded.

2. Operation checklist

- A. Remove all items from the top of the cooktop surface.
- B. Turn on the power to the cooktop. Verify that all surface burners operate properly.
- C. Check that the circuit breaker is not tripped nor the house fuse blown.
- D. Check that conduit is securely connected to the junction box.
- E. See troubleshooting list.

Note to electrician:

The power leads supplied with this appliance is UL recognized for connections to larger gauge household wiring. The insulation of these leads is rated at temperatures much higher than the temperature rating of household wiring. The current carrying capacity of a conductor is governed by the wire gauge and also the temperature rating of the insulation around the wire.

Note: ALUMINUM WIRING

- **WARNING: IMPROPER CONNECTION OF ALUMINUM HOUSE WIRING TO THE COPPER LEADS CAN RESULT IN A SERIOUS PROBLEM.**
- Splice copper wires to aluminum wiring using special connectors designed and UL approved for joining copper to aluminum and follow the manufacturer's recommended connector procedure closely.

Note: Wire used, location and enclosure of splices, etc., must conform to good wiring practice and local codes.



Before You Call For Service

Troubleshooting tips save time and money! Review the chart on this page first and you may not need to call for service.

Problem	Possible causes	What to do
Surface elements will not maintain a rolling boil or cooking is slow	Improper cookware being used.	<ul style="list-style-type: none"> • Use pans which are absolutely flat and match the diameter of the surface element selected
Surface elements do not work properly	A fuse in your home may be blown or the circuit breaker tripped.	<ul style="list-style-type: none"> • Replace the fuse or reset the circuit breaker.
	Cooktop controls improperly set.	<ul style="list-style-type: none"> • Check to see the correct control is set for the surface element you are using.
Tiny scratches or metal marks or abrasions on radiant cooktop glass surface	Incorrect cleaning methods being used.	<ul style="list-style-type: none"> • Use recommended cleaning procedures.
	Cookware with rough bottoms being used or coarse particles (salt or sand) were between the cookware and the surface of the cooktop. Cookware has been slid across the cooktop surface.	<ul style="list-style-type: none"> • Be sure cookware bottoms and cookware are clean before use. Use cookware with smooth bottoms. Tiny scratches are not removable but will become less visible in time as a result of cleaning.



Problem	Possible causes	What to do
Areas of discoloration or dark streaks on the cooktop	Improper cookware being used.	<ul style="list-style-type: none"> Marks from aluminum and copper pans as well as mineral deposits from water or food can be removed with the cleaning cream.
	Hot surface on a model with a light-colored cooktop.	<ul style="list-style-type: none"> This is normal. The surface may appear discolored when it is hot. This is temporary and will disappear as the glass cools.
	Food spillovers not cleaned before next use.	<ul style="list-style-type: none"> See the Cleaning the glass cooktop section.
	Incorrect cleaning methods being used.	<ul style="list-style-type: none"> Use recommended cleaning procedures.
Plastic melted to the surface	Hot cooktop came into contact with plastic placed on the hot cooktop.	<ul style="list-style-type: none"> See the Glass surface-potential for permanent damage section in the Cleaning the glass cooktop section.
Pitting (or indentation) of the cooktop	Hot sugar mixture spilled on the cooktop.	<ul style="list-style-type: none"> Call a qualified technician for replacement.
Frequent cycling off and on of surface elements	Improper cookware being used.	<ul style="list-style-type: none"> Use only flat cookware to minimize cycling. See Surface elements cycle on and off section.
Control knob will not turn	Cooktop control improperly set	<ul style="list-style-type: none"> When the knob is in the Off position, it must be pushed in before it can be turned. When the knob is in any other position, it can be turned without being pushed in.



☎ 1 (844) 334-4203

🌐 www.thermomate.com

✉ support@thermomate.com

📍 3330-A Marathon Ct Charleston, SC 29418





PLAQUE DE CUISSON ÉLECTRIQUE EN CÉRAMIQUE

Live Smart, Better Life!

CHMB774C & CHMB915C

Manuel d'instructions / d'installation

📞 1 (844) 334-4203

🌐 www.thermomate.com

✉ support@thermomate.com

📍 3330-A Marathon Ct Charleston, SC 29418

Contents

Précautions de sécurité.....	02
Éléments de surface rayonnants.....	05
Caractéristiques de votre plage de cuisson.....	06
Utilisation des éléments de surface.....	07
Importantes instructions de sécurité.....	13
Exigences électriques	14
Installation Instructions.....	14
Instructions d'installation.....	16
Avant d'appeler le service d'assistance.....	22



⚠ AVERTISSEMENT! Pour votre sécurité, les renseignements contenus dans le présent manuel doivent être respectés, afin de minimiser le risque d'incendie ou d'explosion, de choc électrique, ou pour empêcher les dommages matériels, les blessures corporelles ou la perte en vies humaines. **LIRE ET RESPECTER SCRUPULEUSEMENT LES PRÉSENTES INFORMATIONS. CONSERVEZ CES CONSIGNES DE SÉCURITÉ.**

Précautions de sécurité

Lors de l'utilisation des appareils électriques, les précautions de sécurité de base doivent être respectées, y compris celles ci-dessous:

- Utiliser cet appareil uniquement aux fins prévues dans le présent manuel..
- Ne pas essayer de réparer ou de remplacer les pièces de votre plaque de cuisson, sauf si cela est expressément recommandé dans le présent manuel. Tout service d'entretien courant doit être confié à un technicien qualifié.
- Avant d'effectuer tout entretien, débrancher l'alimentation électrique de la plaque de cuisson du panneau de distribution domestique en retirant le fusible ou en baissant le disjoncteur.
- Rassurez-vous que votre appareil est correctement installé et mis à la terre par un technicien qualifié conformément aux instructions d'installation fournies. Cet appareil doit être alimenté par une tension et une fréquence appropriées, et branché à un circuit de dérivation individuel proprement mis à la terre, protégé par un disjoncteur ou un fusible acceptable pour la puissance indiquée sur la plaque d'identification.



Emplacement de la plaque d'identification

- L'installateur doit vous montrer l'emplacement du disjoncteur ou du fusible. Faites-y une marque pour faciliter la référence.
- Ne pas laisser les enfants seuls-les enfants ne doivent pas être laissés seuls ou sans surveillance dans la zone d'utilisation de l'appareil. Ils ne doivent jamais être autorisés à s'asseoir ou à se tenir debout sur les parties de l'appareil.
- Apprendre aux enfants de ne pas jouer avec les commandes ou toute autre partie de la plaque de cuisson.
- Interdire à toute personne de grimper, se tenir debout ou de s'accrocher sur la plaque de cuisson.
- **⚠ ATTENTION:** Les articles qui intéressent les enfants ne doivent pas être stockés dans les coffrets au-dessus de la plaque de cuisson-les enfants qui grimpent sur la plaque de cuisson pour se saisir des articles pourraient être gravement blessés.



- Toujours garder les revêtements muraux combustibles, les rideaux ou les nappes à une distance sécurisée de la plaque de cuisson.
- Toujours garder les torchons et les linges à vaisselle, les maniques et autres linges à une distance sécurisée de la plaque de cuisson.
- Toujours garder les ustensiles en plastique et en bois ainsi que les aliments en conserve à une distance sécurisée de la plaque de cuisson. Ils peuvent devenir chauds et pourraient causer des brûlures.
- Ne jamais porter des vêtements amples ou des vêtements qui pendant lors de l'utilisation de l'appareil. Les matières blâmables pourraient être allumées si elles entrent en contact avec les éléments de surface chaude et peuvent causer de blessures graves.
- Utiliser uniquement des maniques sèches - les maniques humides ou trempées sur les surfaces chaudes peuvent entraîner des brûlures par vapeur. Ne pas laisser les maniques toucher les éléments de surface chaude. Ne pas utiliser une serviette ou d'autres tissus épais. De tels tissus peuvent prendre feu sur un élément de surface chaude.
- Pour votre sécurité, n'utilisez jamais votre appareil pour chauffer ou réchauffer la pièce.
- Ne pas utiliser de l'eau sur des feux de graisse. Ne jamais soulever une casse-role en flamme. Éteindre les commandes. Étouffer une casserole en flammes sur l'élément de surface en recouvrant entièrement la casserole à l'aide d'un couvercle bien ajusté, d'une plaque à biscuits ou d'un plateau plat. Utiliser une substance chimique sèche polyvalente ou un extincteur à mousse. La graisse qui flambe à l'extérieur de la casserole peut être éteinte en la recouvrant du bicarbonate de sodium, en utilisant une substance chimique sèche polyvalente ou un extincteur à mousse.
- Ne pas flamber les aliments sur la plaque de cuisson. Si vous flambez les aliments en dessous de la hotte, allumer le ventilateur.
- Ne pas laisser la graisse de cuisson ou d'autres matières inflammables s'accumuler sur la plaque de cuisson.
- Ne pas toucher les éléments de surface. Ces surfaces peuvent être suffisamment chaudes pour brûler même si elles sont sombres. Pendant et après l'utilisation, ne pas toucher ou laisser les vêtements ou d'autres matières inflammables entrer en contact avec les éléments de surface ou les zones près des éléments de surface jusqu'à ce qu'ils aient pris suffisamment de temps pour se refroidir. Les surfaces potentiellement chaudes comprennent la plaque de cuisson et les zones en face de la plaque de cuisson.
- Pour minimiser la possibilité de brûlures, l'allumage des matières inflammables et des déversements, le manche d'un récipient doit être tourné vers le centre de la plaque de cuisson sans s'étendre au-dessus des éléments de surface à proximité.

- Toujours tourner la commande de l'élément de surface à la position d'extinction avant de retirer les ustensiles de cuisine.
- Utiliser des casseroles aux dimensions appropriées—Sélectionner les ustensiles de cuisine ayant des bases plates suffisamment larges pour couvrir l'élément de surface de l'élément chauffant. L'utilisation des ustensiles sous-dimensionnés exposera une partie de l'élément chauffant au contact direct et peut donner lieu à l'inflammation des vêtements. Une relation convenable entre l'ustensile et le brûleur améliorera également l'efficacité.
- Ne jamais laisser les éléments de surface sans surveillance à des niveaux de cuisson élevés. Les débordements par bouillonnement peuvent causer de la fumée et les déversements de graisse qui peuvent prendre feu.
- Seuls certains types de verre, verre/céramique, faïence, ou autres ustensiles vitrés sont convenables pour la cuisson sur la plaque de cuisson; d'autres ustensiles peuvent se briser en raison du brusque changement de température.
- Rester vigilant sur les aliments en cours de friture à des niveaux de cuisson élevés ou moyens.
- Les aliments pour friture doivent être aussi secs que possible. Le givre sur les aliments gelés ou l'humidité sur les aliments frais peuvent entraîner la graisse chaude à bouillonner et déborder sur les côtés de la casserole.
- Utiliser un peu de graisse pour la cuisson sautée ou la friture. Le remplissage excessif de la casserole avec de la graisse peut entraîner des déversements lorsque les aliments sont ajoutés.
- Au cas où une combinaison d'huiles ou de graisses sera utilisée dans la friture, les remuer ensemble avant de chauffer ou à mesure que les graisses fondent doucement.
- Toujours chauffer la graisse lentement et la surveiller à mesure qu'elle chauffe.
- Utiliser un thermomètre à graisse à chaque fois que c'est possible pour se prémunir de surchauffer la graisse au-delà du point de fumée.
- Ne jamais essayer de retirer la casserole d'une graisse chaude surtout d'une friteuse. Attendre que la graisse se refroidisse.
- Ne pas conserver des matières inflammables près de la plaque de cuisson.
- Garder la hotte et les filtres à graisse propres pour garantir la bonne ventilation et éviter les feux de graisse.
- Ne pas conserver ou utiliser les matières combustibles, l'essence ou d'autres liquides contenant des vapeurs inflammables à proximité de cet appareil ou de tout autre appareil.
- Nettoyer les pièces énumérées dans le présent manuel d'utilisation.
- Ne pas laisser les produits en papier, les ustensiles de cuisine ou les aliments sur la plaque de cuisson lorsque celui-ci n'est pas utilisé.
- Garder la plaque de cuisson propre et débarrassée d'accumulation de graisse ou de débordements qui peuvent prendre feu.



- Ne jamais chauffer des récipients alimentaires non ouverts. L'accumulation de pression peut entraîner l'éclatement du récipient et causer des blessures.
- Ne jamais laisser des pots ou des boîtes d'exsudation de graisses sur ou près de la plaque de cuisson.

Éléments de surface rayonnants

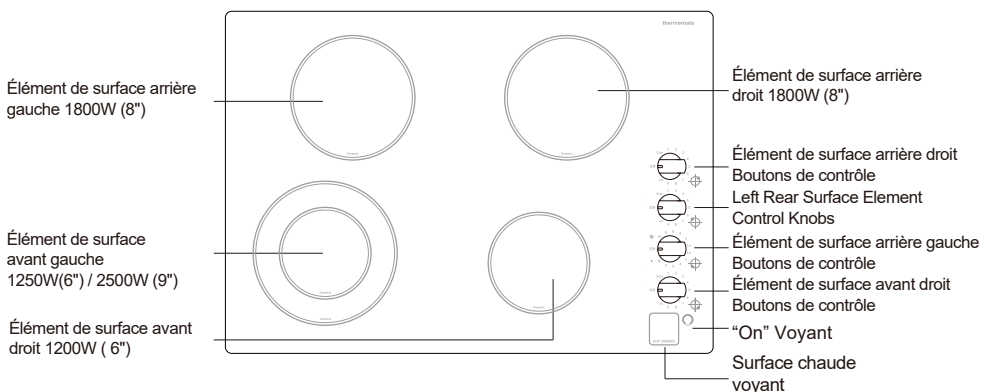
Faire attention en touchant la plaque de cuisson. La surface en verre de la plaque de cuisson retiendra la chaleur après que les commandes ont été éteintes.

- Éviter de gratter le verre de la plaque de cuisson. La plaque de cuisson peut être rayée par des articles tels que les instruments tranchants, les bagues ou autres bijoux et rivets sur les vêtements.
- Ne jamais utiliser la surface en verre de la plaque de cuisson comme planche à découper.
- Ne pas placer ou conserver les articles sur la surface en verre de la plaque de cuisson lorsque celle-ci n'est pas utilisée.
- Faire attention en plaçant les cuillères ou autres ustensiles servant à remuer sur la surface en verre de la plaque de cuisson lorsque celle-ci est utilisée. Ils peuvent devenir chauds et pourraient causer des brûlures.
- Éviter de chauffer une casserole vide. Le faire peut endommager la plaque de cuisson et la casserole.
- Ne pas laisser l'eau, autre liquide ou graisse stagner sur la plaque de cuisson.
- Pour minimiser la possibilité de brûlures, toujours être certain que les commandes de tous les éléments de surface sont en position arrêt et que l'ensemble de la surface de verre est froid avant d'essayer de nettoyer la plaque de cuisson.
- Ne pas faire fonctionner les éléments de surface de verre si le verre est cassé. Les déversements ou les solutions de nettoyage peuvent pénétrer dans une plaque de cuisson cassée et créer un risque de choc électrique. Contacter immédiatement un technicien qualifié au cas où le verre de votre plaque de cuisson se briserait.
- Nettoyer la plaque de cuisson avec soin. En cas d'utilisation d'une éponge ou d'un tissu mouillé pour nettoyer les rejets sur un élément de surface chaude, faire attention afin d'éviter des brûlures par vapeur. Certains détergents peuvent produire des fumées toxiques en cas d'application sur une surface chaude.
- REMARQUE: Nous vous recommandons d'éviter d'essuyer les zones de l'élément de surface jusqu'à ce qu'elles se soient refroidies et que le voyant lumineux se soit éteint. Les rejets de sucre sont une exception. Veuillez consulter la section Nombre de pages 9 Nettoyage du verre de la plaque de cuisson.

- Pour éviter de possibles dommages à la surface de cuisson, ne pas appliquer de la crème nettoyante sur la surface en verre lorsqu'elle est chaude.
- Après le nettoyage, utiliser un tissu sec ou un essuie-tout pour enlever tous les résidus de la crème nettoyante.
- Lire et respecter toutes les consignes et tous les avertissements indiqués sur les étiquettes de nettoyage.
- Faire attention en touchant la plaque de cuisson. La surface en verre de la plaque de cuisson retiendra la chaleur après que les commandes ont été éteintes.
- Ne pas se tenir debout sur le verre de la plaque de cuisson.
- De grandes rayures ou de grands impacts sur les plaques de cuisson en verre peuvent induire la brisure ou l'éclatement du verre.

Caractéristiques de votre plage de cuisson.

CHMB774C



Tension nominale: 240V CA 60Hz ou 208V CA 60Hz

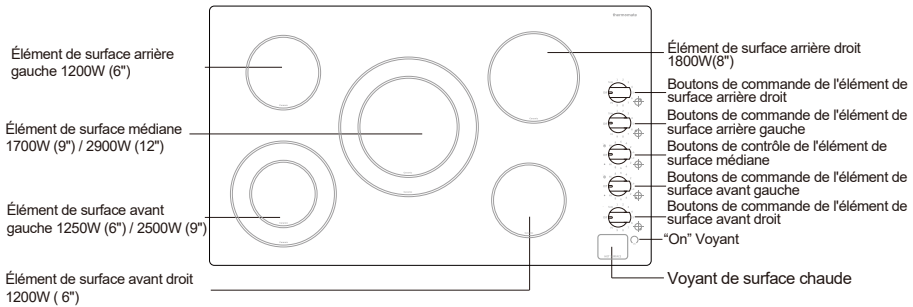
Plage de puissance: 208V à 240V CA 60Hz



1 (844) 334-4203

© www.thermomate.com

CHMB915C



Rated Voltage: AC 240V 60Hz or AC 208V, 60Hz

Power range: AC 208V to 240V, 60Hz

Utilisation des éléments de surface.

Tout au long du présent manuel, les caractéristiques et apparence peuvent varier de votre modèle.

Mode de configuration

Appuyer le bouton vers le bas et tourner dans n'importe quel sens pour obtenir le paramétrage souhaité. Lorsque la commande se trouve à une position quelconque position autre que la position **Off**, elle peut être tournée sans qu'elle ne soit appuyée vers le bas.

Aux positions **Off**, **Hi** et **Simmer**, la commande émet un clic à la position. Vous pouvez suivre de légers cliquetis pendant la cuisson. C'est une indication que la commande garde le niveau de puissance que vous avez paramétré.

Les commandes des éléments de surface rayonnants peuvent être paramétrées n'importe où entre les positions **Simmer** et **Hi** pour un nombre illimité de niveaux de cuisson.

Avec le commutateur à réglage infini, l'élément parcourt les positions marche **On** arrêté pour maintenir le paramètre de commande que vous avez sélectionné.

Le voyant lumineux Marche s'illuminera à chaque fois qu'un élément de surface sera allumé.

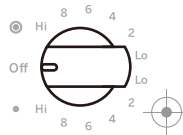
Un voyant lumineux de surface chaude s'illuminera à chaque fois qu'un élément rayonnant est allumé et le restera jusqu'à ce que la surface se refroidisse à environ 150°F(65°C).

Élément à double anneau

L'élément à double anneau offre la possibilité d'utiliser des ustensiles de cuisine ayant un fond de petit ou de grand diamètre. Le double élément a à la fois un anneau rayonnant intérieur et extérieur. Vous pouvez choisir d'utiliser l'élément • (interne) ou l'élément ⊙ (interne et externe).

- Pour les ustensiles de cuisine avec un fond de plus petit diamètre, appuyez et tournez le bouton de commande dans le sens inverse des aiguilles d'une montre jusqu'au côté élément • (intérieur) de la commande.
- Pour les ustensiles de cuisine avec un fond de plus grand diamètre, appuyez et tournez le bouton de commande dans le sens des aiguilles d'une montre vers le côté élément ⊙ (intérieur et extérieur) de la commande.
- Pour de meilleures performances à basse température avec des casseroles de 10" (25,4 cm) et plus, utilisez l'élément ⊙ réglé sur • "LO".
- Il existe un nombre infini de réglages de température entre les positions **LO** et **Hi**. Tournez le bouton de **LO** à **Hi** (ou n'importe quelle température entre les deux).

Remarque: des positions fixes se trouvent à **LO** et **Hi** pour définir le réglage de chaleur minimum et maximum.



Remarque:

- Il s'allume lorsque l'élément est chaud au toucher.
- Il reste allumé même après que l'élément se soit éteint.
- Il s'illumine brillamment jusqu'à ce que l'élément se refroidisse à environ 150°F (65°C).
- S'assurer que vous avez tourné le bouton de commande à l'arrêt au terme de votre cuisson.

Au sujet des éléments de surface rayonnants..

La plaque de cuisson rayonnante présente des éléments de chauffage en dessous d'un verre lisse.

Remarque: Il est normal de sentir une faible odeur lors de la première utilisation d'une nouvelle plaque de cuisson. Cette odeur résulte du chauffage des pièces neuves et des matières isolantes. Elle disparaîtra au bout d'un moment.

Remarque: Sur les modèles ayant des plaques de cuisson légèrement colorées, il est normal que les zones de cuisson changent de couleur lorsqu'elles sont chaudes ou lors du refroidissement. Ce trait est passager et disparaîtra à mesure que le verre se refroidit à la température ambiante. L'élément de surface va parcourir les positions marche et arrêt pour maintenir



le paramètre de commande que vous avez sélectionné. Il est prudent de déplacer les ustensiles de cuisine chauds(du four ou de la surface) sur le verre de la plaque de cuisson lorsque la surface s'est refroidie.

Même après extinction des éléments de surface, le verre de la plaque de cuisson conserve suffisamment de chaleur pour continuer la cuisson.

Pour éviter la cuisson à l'excès, retirer les casseroles des éléments de surface lorsque les aliments sont cuits.

Éviter de placer les ustensiles qui pourraient capter de la chaleur ou du plastique qui pourrait fondre sur l'élément de surface jusqu'à ce que celui-ci se soit complètement refroidi.

- Toujours centrer la casserole sur l'élément de surface que vous utilisez.
- Ne jamais cuisiner directement sur le verre. Toujours utiliser les ustensiles de cuisine.
- Les taches d'eau(dépôts minéraux) sont extractibles à l'aide d'une crème nettoyante ou du vinaigre pur.
- Utiliser un nettoyeur de vitres peut laisser une couche iridescente sur la plaque de cuisson. La crème nettoyante enlèvera cette décoloration.
- Ne jamais conserver des articles lourds au-dessus de la plaque de cuisson. En cas chute d'objets lourds sur la plaque de cuisson, ils peuvent entraîner des dommages.
- Ne pas utiliser la surface comme planche à découper.
- Ne pas glisser des ustensiles de cuisine sur la plaque de cuisson, car ils peuvent rayer le verre. Le verre est résistant aux rayures et pas non-rayable.

Les éléments de surface parcourent les positions marche et arrêt

Les éléments de surface vont parcourir les positions marche et arrêt pour maintenir la température que vous avez sélectionnée.

Tous les éléments de surface rayonnants disposent d'un limiteur de température qui protège le verre de la plaque de cuisson de l'extrême chaleur.

Le limiteur de température peut arrêter le cycle des éléments pendant la cuisson au cas où:

- La casserole s'évapore à sec.
- La base de la casserole n'est pas plate.
- La casserole est hors du centre.
- Il n'y a pas de casserole sur l'élément.

Sélection des types d'ustensiles de cuisine.

Les informations suivantes vous permettront de choisir les ustensiles de cuisine qui vous permettra d'avoir un bon rendement sur le verre des plaques de cuisson.



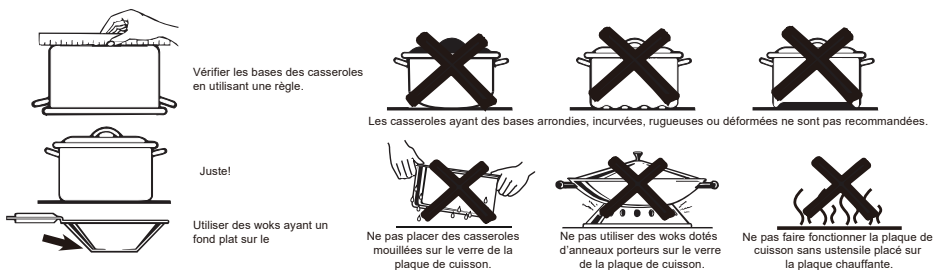
Caractéristiques des ustensiles de cuisine.

- Aluminium: chauffe et se refroidit rapidement. Friture, braise, rôtissage. Peut laisser des marques métalliques sur le verre.
- Fer forgé: sur le verre de la plaque de cuisson chauffe et se refroidit lentement, mais retient la chaleur et cuit les aliments de façon uniforme.
- Cuivre: l'étain chauffe et se refroidit rapidement. Fine cuisine, sauce au vin, plats à base d'œufs.
- Ustensiles émaillés: la réponse dépend du métal de base. Pas recommandé. Les imperfections sur les ustensiles émaillés peuvent rayer la plaque de cuisson.
- Verre de céramique: chauffe et se refroidit lentement. Pas recommandé. Chauffe trop lentement. Les imperfections sur les ustensiles émaillés peuvent rayer la plaque de cuisson.
- Acier inoxydable: chauffe et se refroidit de manière modérée. Soupes, sauces, légumes et cuisine générale.

Sélection des types d'ustensiles de cuisine.

Pour de meilleurs résultats

- Placer uniquement des casseroles sèches sur les éléments de surface. Ne pas placer les couvercles sur les éléments de surface, en particulier les couvercles humides.
- Ne pas utiliser des woks dotés d'anneaux porteurs. Ce type de wok ne chauffera pas sur les éléments de surface en verre.
- Nous vous recommandons d'utiliser uniquement des woks dont la base est plate. Ils sont disponibles dans votre magasin local de vente au détail. La base du wok doit avoir le même diamètre que l'élément de surface afin d'assurer un contact approprié.
- Certaines procédures de cuisson spéciales nécessitent des ustensiles de cuisine spécifiques tels que les cocottes minute, friteuses, etc. Tous ces ustensiles de cuisine doivent avoir un fond plat et une taille correcte.



Respecter les points suivants dans l'appertisation

Les marmites qui débordent au-delà de 1" du cercle de l'élément de surface



ne sont pas recommandées pour la plupart des surfaces de cuisson. Toutefois, lors de l'appertisation avec un bain-marie ou un cuiseur sous pression, des marmites ayant un diamètre plus grand peuvent être utilisées. Parce que les températures d'ébullition(même sous la pression) ne sont pas préjudiciables aux surfaces de la plaque de cuisson qui entourent les éléments de surface. **TOUTEFOIS, NE PAS UTILISER DES CUISEURS SOUS PRESSION AYANT UN DIAMÈTRE PLUS GRAND OU D'AUTRES MARMITES AYANT UN DIAMÈTRE PLUS GRAND POUR LA FRITURE OU L'ÉBULLITION DES ALIMENTS AUTRE QUE L'EAU.** La plupart de sirops et les mélanges de sauces et toutes les cuissons par friture aux températures bien plus élevées que celle de l'eau bouillante. Ces températures peuvent éventuellement altérer les surfaces en verre de la plaque de cuisson.

1. S'assurer que le conserveur correspond au centre de l'élément de surface. Si votre plaque de cuisson ou son emplacement ne permet pas au conserveur d'être centré sur l'élément de surface, utiliser des marmites de petit diamètre pour de bon rendement d'appertisation.
2. Des cuiseurs sous pression à fond plat doivent être utilisés. Ne pas utiliser des cuiseurs sous pression ayant des fonds bridés ou ondulés(souvent trouvés dans des ustensiles émaillés) parce qu'ils n'offrent pas suffisamment de contact avec les éléments de surface et mettent trop long pour bouillir de l'eau.
3. Lors de l'appertisation, utiliser les recettes et les procédures issues des sources de bonne réputation. Les recettes et les procédures fiables sont disponibles chez le fabricant de votre conserveur, des fabricants de bocaux en verre destinés à l'appertisation, et du service du ministère américain chargé de la vulgarisation de l'agriculture.
4. Rappelez-vous que l'appertisation est un processus qui génère de la vapeur en grande quantité. Pour éviter les brûlures dues à la vapeur ou à la chaleur, faire attention pendant l'appertisation.

Remarque: Au cas où votre maison connaît une baisse de tension, l'appertisation peut mettre plus long que prévu, même si les instructions ont été scrupuleusement respectées. Le temps de traitement sera réduit en:

- a. Utilisant un cuiseur sous pression et.
- b. Démarrant avec de l'eau plate CHAUDE pour un chauffage rapide de grandes quantités d'eau.

ATTENTION:

- L'appertisation sécurisée nécessite que les microorganismes nocifs soient détruits et que les bocaux soient entièrement scellés. Lors de l'appertisation des aliments dans un bain-marie, un niveau d'ébullition doux, mais constant doit être maintenu pendant la durée requise. Lors de l'appertisation des

aliments dans un cuiseur sous pression, la pression doit être maintenue pendant la durée requise.

- Après avoir réglé les commandes, il est très important de s'assurer que les niveaux d'ébullition ou de pression prescrits sont maintenus pendant la durée requise.
- Puisque vous vous êtes assuré de traiter les bocaux d'appertisation pendant la durée requise, sans aucune interruption dans la durée de traitement, ne pas appertiser sur l'élément de surface de la plaque de cuisson si votre conserveur n'est pas plat.

Important:

- Avant de nettoyer, s'assurer que toutes les commandes sont à l'arrêt et que la plaque de cuisson s'est refroidie.
- Il est recommandé d'utiliser d'abord du savon, de l'eau et un tissu ou une éponge sauf indication contraire. Ne pas utiliser des produits de nettoyage abrasifs. Toujours respecter les consignes indiquées sur l'étiquette des produits de nettoyage.

Verre de céramique

Le verre de céramique doit être nettoyé régulièrement, de préférence après chaque utilisation. Important: Pour éviter d'endommager la plaque de cuisson, ne pas utiliser la laine d'acier, les produits de nettoyage abrasifs en poudre, du chlorure décolorant, un produit antirouille ou de l'ammonium.

Mode de nettoyage de la plaque de cuisson en verre de céramique:

1. Retirer les aliments/résidus à l'aide du grattoir de la plaque de cuisson (non inclus).
 - Pour de meilleurs résultats, utiliser le grattoir de la plaque de cuisson lorsque celle-ci est encore tiède, mais pas chaude au toucher.
 - Il est recommandé de porter un gant de cuisine lors du grattage de la plaque de cuisson tiède.
 - Tenir le grattoir de la plaque de cuisson à un angle de 45 degrés contre la surface du verre et gratter le résidu. Il sera nécessaire d'appliquer la pression en vue d'enlever le résidu.
 - Laisser la plaque de cuisson se refroidir entièrement avant de continuer à l'étape 2.
2. Appliquer quelques gouttes de nettoyant pour plaque de cuisson sur les zones affectées.
 - Frotter le nettoyant pour plaque de cuisson à la surface de la plaque de cuisson à l'aide d'un nylon ou d'un tampon de nettoyage similaire approprié pour la plaque de cuisson. Un peu de pression est nécessaire pour retirer les tâches résistantes.



- Laisser la plaque de cuisson sécher à brume sèche avant de continuer à l'étape 3.
3. Polir avec un tissu sec et propre ou un essuie-tout sec.

Traces des casseroles ayant un fond en aluminium

Méthode de nettoyage:

Un tissu mouillé avec du vinaigre

Boutons de commande

- Tirer les boutons droitement partant du panneau de commande pour les retirer.
- Lors du remplacement des boutons, s'assurer qu'ils sont en position Arrêt.

Méthode de nettoyage:

Savon et eau ou lave-vaisselle

Remarque: Ne pas utiliser la laine d'acier, les produits de nettoyage abrasifs ou un produit servant à nettoyer les fours. Ne pas tremper les boutons.

Panneau de commande

Méthode de nettoyage:

Nettoyant pour verre et un tissu doux ou une éponge : Appliquer le nettoyant pour verre au tissu doux ou à l'éponge, non pas directement sur le panneau.

Remarque: Ne pas utiliser des produits de nettoyage abrasifs, des tampons en laine d'acier, des gants de toilette granuleux ou certains essuie-tout. Des dommages peuvent survenir.

AVANT DE COMMENCER, lire entièrement et soigneusement les présentes instructions.

- Important — Conservez ces consignes à utiliser par votre inspecteur local.
- Important — Respectez tous les codes et ordonnances en vigueur.
- Remarque à l'installateur – S'assurer de laisser les présentes consignes à l'utilisateur.
- Remarque à l'utilisateur – Conservez les présentes consignes pour référence ultérieure.
- La défaillance du produit en raison de l'installation inappropriée n'est pas couverte par la garantie.

⚠ AVERTISSEMENT : Cet appareil doit être correctement mis à la terre.

- À L'ATTENTION DE L'INSTALLATEUR — TOUTES LES PLAQUES DE CUISSON DOIVENT ÊTRE BRANCHÉES DIRECTEMENT (CÂBLÉES DIRECTEMENT) À UNE BOÎTE DE DÉRIVATION. UNE «PRISE ET UN RÉCEPTACLE» NE SONT PAS AUTORISÉS SUR CES PRODUITS.

- L'installation appropriée relève de la responsabilité de l'installateur et la défaillance du produit suite à une installation inappropriée N'EST PAS couverte par la garantie.

Importantes instructions de sécurité

Pour votre sécurité

- Pour votre sécurité individuelle, retirer le fusible du domicile ou ouvrir le disjoncteur avant de commencer l'installation. Le non-respect de cette instruction pourrait entraîner de graves blessures corporelles ou la mort.
- Rassurez-vous que votre plaque de cuisson est correctement installée par un installateur ou technicien de maintenance qualifié.
- Pour éliminer les risques de brûlures ou d'incendie suite à l'atteinte des éléments de surface surchauffés, les coffrets de stockage qui se trouvent au-dessus des unités de surface doivent être évités. Au cas où l'espace de stockage du coffret est fourni, le risque peut être réduit en installant une hotte de cuisine qui s'allonge horizontalement sur au moins 5" au-delà de la base des coffrets. L'installation du coffret au-dessus de la plaque de cuisson ne doit pas excéder 13" de profondeur.
- S'assurer que les coffrets et les revêtements muraux autour de la plaque de cuisson peuvent supporter des températures (allant jusqu'à 200°F (93°C)) générées par la plaque de cuisson.
- La plaque de cuisson doit être facile d'accès et éclairée à la lumière naturelle pendant la journée.
- Toujours débrancher l'alimentation électrique de la plaque de cuisson avant de réparer ou d'effectuer des travaux de maintenance sur la plaque de cuisson. Ceci peut être fait en débranchant le fusible ou le disjoncteur. Le non-respect de cette consigne pourrait donner lieu une électrocution dangereuse, voire mortelle. Sachez où se trouve votre commutateur du disjoncteur principal. Si vous ne le savez pas, demandez à votre électricien de vous indiquer.
- La Californie Proposition 65

AVERTISSEMENT Cet appareil contient des produits chimiques connus pour l'État de Californie pour causer le cancer, les malformations congénitales, de reproduction ou d'autres dommages.



Exigences électriques

Cet appareil doit être alimenté par une tension et une fréquence appropriées, et branché à un circuit de dérivation individuel proprement mis à la terre, protégé par un disjoncteur ou un fusible à retardement comme indiqué sur la plaque d'identification.

Nous recommandons que le câblage électrique et le raccordement de votre plaque de cuisson soient branchés par un électricien qualifié. Après l'installation, demandez à l'électricien de vous montrer où se trouve le disjoncteur principal de votre plaque de cuisson.

Installation Instructions

Le câblage doit être conforme au Code national de l'électricité. Vous pouvez obtenir une copie du Code national de l'électricité ANSI/NFPA n°70-Toute dernière édition, en écrivant à : National Fire Protection Association
Batterymarch Park
Quincy, MA 02269

Au Canada, le câblage doit être conforme au Code canadien de l'électricité (CCE). Les conduits électriques de la plaque de cuisson doivent être approuvés uniquement pour la connexion de fil de cuivre, et au cas où vous avez un câblage domestique en aluminium, vous devez utiliser des connecteurs UL approuvés pour joindre le cuivre à l'aluminium. Au Canada, vous devez utiliser des connecteurs approuvés par la CSA pour joindre le cuivre à l'aluminium.

Vous devez utiliser un système électrique à deux fils, trois connecteurs 208/240 V CA, 60 Hertz. Un fil blanc (neutre) n'est pas nécessaire pour cette unité. La plaque de cuisson doit être installée dans un circuit qui n'excède pas une tension nominale de 125 V CA vers le sol.

Se référer à la plaque d'identification présente sur votre plaque de cuisson pour la classification KW de votre plaque de cuisson.

Liste de vérification pour l'installation préliminaire

▲ AVERTISSEMENT La puissance électrique dirigée vers la ligne d'alimentation de la plaque de cuisson doit être fermée lorsque les connexions sont en cours. Le non-respect de cette instruction pourrait entraîner de graves blessures corporelles ou la mort.

- A. Lors de la préparation de l'ouverture de la plaque de cuisson, s'assurer que l'intérieur du coffret et la plaque de cuisson ne s'interceptent pas mutuellement. (Voir la section sur la préparation de l'ouverture.)
- B. Retirer les matériaux et les documents d'emballage de la plaque de cuisson avant de commencer l'installation.
- C. Retirer les instructions d'installation du paquet des documents et les lire attentivement avant de commencer. S'assurer de mettre tous les documents, le manuel d'utilisation, les instructions d'installation, etc. dans un endroit sécurisé pour une référence ultérieure.
- D. Rassurez-vous que vous êtes en possession de tous les outils et matériaux dont vous aurez besoin avant de commencer l'installation de la plaque de cuisson.
- E. Votre domicile doit offrir un service électrique adéquat nécessaire pour utiliser votre plaque de cuisson de manière sécurisée et appropriée. (Se référer à la section Exigences électriques.)
- F. Lors de l'installation de votre plaque de cuisson dans votre domicile, rassurez-vous que tous les codes et ordonnances locaux sont respectés à la lettre.
- G. S'assurer que les revêtements muraux et les revêtements de comptoir et les coffrets autour de la plaque de cuisson peuvent supporter la chaleur (allant jusqu'à 200°F(65°C)) générée par la plaque de cuisson.

Pièces incluses

- Ruban mousse
- 2 supports de fixation
- 2 vis moletées
- Gabarit de montage

Instructions d'installation

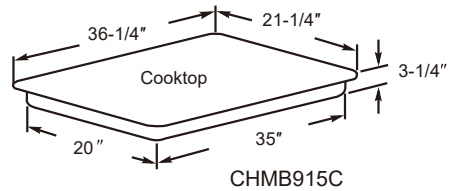
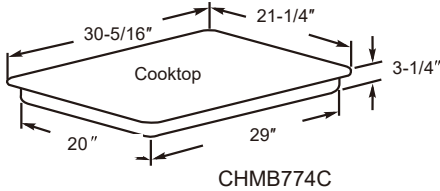
Préparation de l'ouverture

- Les dimensions de dégagement MINIMALES suivantes doivent être maintenues. Au cas où un dégagement de 30" entre la surface de cuisson et les matériaux combustibles au-dessus ou les coffrets en métal ne peut être maintenue, un dégagement minimal de 24" est requis et la face inférieure des coffrets au-dessus de la plaque de cuisson doit être protégée avec un carton enroulé ininflammable d'une épaisseur minimale de 1/4 po couvert avec une tôle d'acier d'au moins No.28 MSG, de l'acier inoxydable d'une

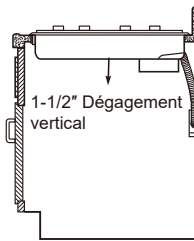
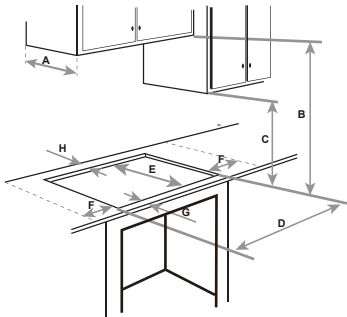


épaisseur de 0,015 po, de l'aluminium d'une épaisseur de 0,024 po, ou de cuivre d'une épaisseur de 0,020 po.

- Dimensions globales de la plaque de cuisson



- Un dégagement vertical minimal d'un et d'un demi-pouce (1-1/2") entre la base de la plaque de cuisson et toute autre surface combustible.
- Dimensions d'installation et dégagements
Pour assurer la précision, il est mieux d'utiliser le gabarit lors de la coupe de l'ouverture dans le comptoir.

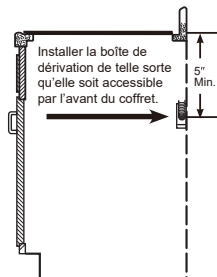
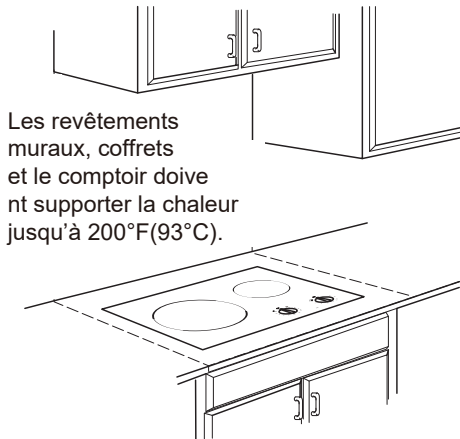


		CHMB774C	CHMB915C
A	Profondeur max. des coffrets non protégés au-dessus	13"	13"
B	Dégagement MIN. à partir du comptoir vers la surface non protégée au-dessus	30"	30"
C	Hauteur MIN. à partir du comptoir vers les coffrets les plus proches sur les côtés de l'unité	18"	18"
D	Largeur de la délimitation	29-3/8"	35-3/8"
E	Profondeur de la délimitation	20-3/8"	20-3/8"
F	Dégagement MIN. à partir de la délimitation vers le côté gauche ou droit des murs	1-3/4"	1-3/4"
G	MIN. partant de bord frontal de la délimitation et le bord frontal du comptoir	2-3/4"	2-3/4"
H	MIN. entre la délimitation et le mur derrière la plaque de cuisson	2"	2"

Installation horizontale avec les commandes à l'avant

Dans cette installation, la plaque de cuisson doit être installée avec les boutons de commande vers le bord frontal.

S'assurer que les revêtements muraux et les revêtements de comptoir et les coffrets autour de la plaque de cuisson peuvent supporter la chaleur (allant jusqu'à 200°F(93°C)) générée par la plaque de cuisson.



Installation de la plaque de cuisson

1. Installation de la boîte de dérivation

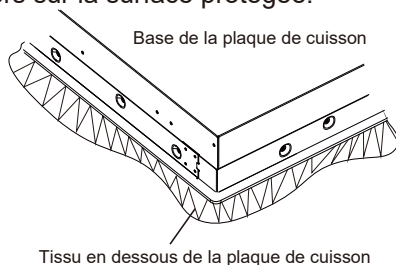
Installer une boîte de dérivation approuvée là où il sera facilement accessible par l'avant du coffret où la plaque de cuisson sera placée. Le conduit électrique de la plaque de cuisson est long de 51\".

Important:

La boîte de dérivation doit être placée là où elle permettra une marge d'accès considérable au conduit pour les facilités d'entretien.

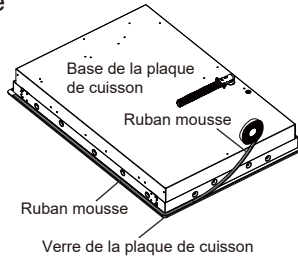
2. Protéger la surface de la plaque de cuisson

Placer une serviette ou une nappe sur le comptoir. Placer la plaque de cuisson à l'envers sur la surface protégée.



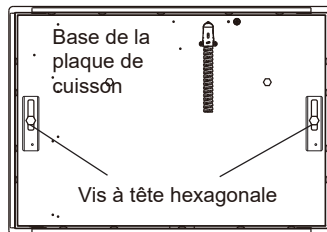
3. Attacher le ruban mousse

Appliquer le ruban mousse autour du bord extérieur du verre. Ne pas doubler le ruban mousse



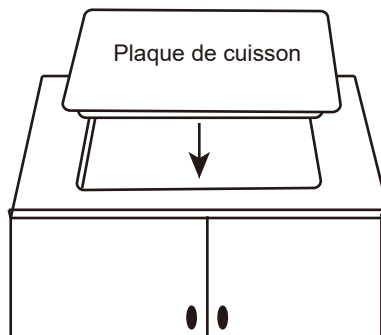
4. Localiser les pièces de montage

Sur la face inférieure de la plaque de cuisson, vous trouverez des vis à tête hexagonale. Retirer et utiliser ces vis à tête hexagonale pour monter les supports à ces deux emplacements. Ne pas serrer. Tourner la patte vers l'intérieur pour éviter l'interférence lors du dépôt de la plaque de cuisson dans le comptoir.



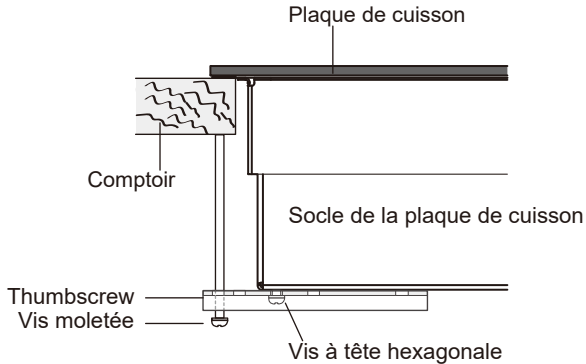
5. Insérer la plaque de cuisson dans la délimitation

Insérer la plaque de cuisson centrée dans l'ouverture de la délimitation. S'assurer que le bord frontal du comptoir est parallèle à la plaque de cuisson. Effectuer la vérification finale pour s'assurer que les dégagements requis sont satisfaits.



6. Fixer les supports de fixation au coffre

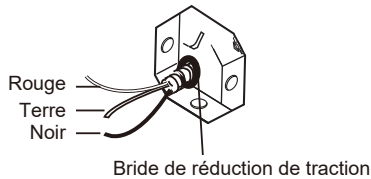
Ouvrir le battant du coffret. Roter les supports pour dépasser la face inférieure du comptoir. Puis serrer la vis à tête hexagonale. Installer la vis moletée jusqu'à ce qu'elle touche le fond du comptoir.



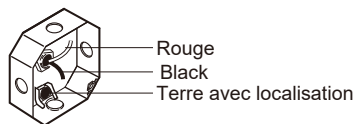
Important: Tourner la vis moletée jusqu'à ce qu'elle touche le fond du comptoir. Ne pas trop serrer.

Installation des connexions électriques

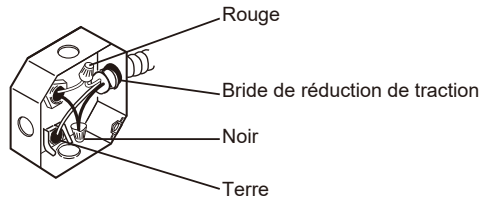
- A. Lors de l'établissement des connexions électriques, utiliser la longueur entière du conduit fourni. Le conduit ne doit pas être écourté.
- B. Une fois la plaque de cuisson en place, ouvrir l'avant du battant du coffret.
- C. Insérer les câbles partant du conduit jusqu'à l'ouverture de la boîte de dérivation.



- D. Connecter les conducteurs rouge et noir à partir du conduit de la plaque de cuisson avec les conducteurs correspondant dans la boîte de dérivation.



E. Une fois les connexions faites, sécuriser les câbles à l'aide des écrous de serrage de fils.



Instructions de mise à la terre:

Le câble de mise à la terre nu dans le conduit est connecté au cadre de la plaque de cuisson. En vigueur dès le 1er janvier 1996, le Code national de l'électricité ne permettra pas la mise à la terre par le neutre. En cas d'utilisation dans une nouvelle construction après le 1er janvier 1996 ou dans une habitation mobile, un véhicule de loisir ou au cas où les codes locaux ne permettent pas la mise à la terre à travers le conducteur neutre blanc, relier le conducteur de mise à la terre de l'appareil (vert ou cuivre) au conducteur de mise à la terre de la résidence (vert ou cuivre nu) conformément aux codes locaux. Lors de la connexion à un circuit dérivé à 3 conducteurs, au cas où les codes locaux le permettent, connecter le conducteur nu de mise à la terre du connecteur de la plaque de cuisson au neutre du circuit dérivé (gris ou blanc).

⚠ Important:

Au cas où la plaque de cuisson est en train d'être installée dans un comptoir borgne (celui ne disposant pas de coffret s'ouvrant vers le bas), les connexions de câbles doivent être faites avant de placer la plaque de cuisson dans l'ouverture de la délimitation.

1. Liste de vérification pour l'essai préliminaire

- A. Retirer le film de protection, s'il est présent et tous les autocollants.
- B. Vérifier pour vous assurer que tout le câblage est bien en place et qu'il n'est pas coincé ou en contact avec les pièces amovibles.
- C. Vérifier le niveau de l'application.
- D. Vérifier que la plaque de cuisson est correctement mise à la terre.



2. Liste de vérification du fonctionnement

- A. Retirer tous les éléments à partir du sommet de la surface de la plaque de cuisson.
- B. Activer l'alimentation de la plaque de cuisson. Vérifier que tous les brûleurs de surface fonctionnent correctement.
- C. Vérifier que le disjoncteur n'est déclenché et que le fusible de la maison n'a pas éclaté.
- D. Vérifier que le conduit est très bien connecté à la boîte de dérivation.
- E. Voir la liste de dépannage.

Remarque à l'électricien:

Les conducteurs de puissance fournis avec l'appareil sont reconnus UL pour les connexions à un câblage domestique d'une épaisseur plus importante. L'isolation de ces conducteurs est évaluée à des températures bien plus supérieures que la température de fonctionnement du câblage domestique. L'intensité maximale admissible d'un conducteur est déterminée par l'épaisseur des fils et également par la température de fonctionnement de l'isolation autour du fil.

Remarque: CÂBLAGE EN ALUMINIUM

- **AVERTISSEMENT: LA CONNEXION INAPPROPRIÉE DU CÂBLAGE DOMESTIQUE EN ALUMINIUM AUX CONDUCTEURS EN CUIVRE PEUT ENTRAÎNER DE GRAVE PROBLÈME.**
- Raccorder les câbles en cuivre au câblage en aluminium à l'aide des connecteurs spéciaux désignés et approuvés UL pour joindre le cuivre et l'aluminium et respecter scrupuleusement la procédure recommandée par le fabricant en ce qui concerne le connecteur.

Remarque: le câble utilisé, la localisation et les gaines de jonctions, etc. doivent être conformes aux bonnes pratiques de câblage et aux codes locaux.



Avant d'appeler le service d'assistance

Les astuces de dépannages permettent de gagner en temps et en argent ! Examiner d'abord le diagramme sur cette page, car vous pourrez bien vous passer d'un service de dépannage.

Problème	Causes possibles	Que faire?
Les éléments de surface ne maintiendront pas une ébullition ou une cuisson qui est lente	Des ustensiles de cuisine inappropriés sont en cours d'utilisation.	<ul style="list-style-type: none"> Utiliser des casseroles qui sont absolument plates et qui correspondent au diamètre de l'élément de surface sélectionné
Les éléments de surface ne fonctionnent pas correctement	Un fusible dans votre maison peut avoir éclaté ou le disjoncteur est déclenché.	<ul style="list-style-type: none"> Remplacer le fusible ou réinitialiser le disjoncteur.
	Les commandes de la surface de cuisson sont réglées de manière incorrecte.	<ul style="list-style-type: none"> Vérifier pour voir que la commande appropriée est réglée pour l'élément de surface que vous êtes en train d'utiliser.
De petites rayures ou des marques de métal ou des abrasions sur la surface rayonnante du verre de la surface de cuisson	Méthodes de nettoyage incorrectes sont en train d'être utilisées.	<ul style="list-style-type: none"> Utiliser les procédures de nettoyage recommandées.
	Les ustensiles de cuisine ayant des fonds rugueux sont en train d'être utilisés ou de grosses particules (sel ou sable) se trouvaient entre ustensiles de cuisine et la surface de la plaque de cuisson. L'ustensile de cuisine a été glissé à travers la surface de la plaque de cuisson.	<ul style="list-style-type: none"> S'assurer que les fonds des ustensiles de cuisine et les ustensiles sont nettoyés avant l'utilisation. Utiliser un ustensile de cuisine ayant des fonds lisses. De petites rayures ne sont pas extractibles, mais deviendront moins visibles avec le temps du fait du nettoyage.



Problème	Causes possibles	Que faire?
Zones de décoloration ou stries sombres sur la surface de cuisson	Des ustensiles de cuisine inappropriés sont en cours d'utilisation.	<ul style="list-style-type: none"> • Les marques faites par les casseroles en aluminium et en cuivre ainsi que les dépôts de minéraux issus d'eau ou des aliments peuvent être enlevés à l'aide d'une crème nettoyante.
	Surface chaude sur un modèle ayant une surface de cuisson de couleur claire.	<ul style="list-style-type: none"> • Ceci est normal. La surface peut apparaître décolorée lorsqu'elle est chaude. Cet état est passager et disparaîtra à mesure que se refroidit le verre.
	Les retombées alimentaires non nettoyées avant la prochaine utilisation.	<ul style="list-style-type: none"> • Consulter la section Nettoyage du verre de la surface de cuisson.
	Méthodes de nettoyage incorrectes sont en train d'être utilisées.	<ul style="list-style-type: none"> • Utiliser les procédures de nettoyage recommandées.
Plastique fondu sur la surface	La surface de cuisson chaude est entrée en contact avec du plastique placé sur la surface de cuisson chaude.	<ul style="list-style-type: none"> • Consulter la surface en verre - section sur la possibilité des dommages permanents dans la section Nettoyage du verre de la surface de cuisson.
Corrosion (ou échancre) de la surface de cuisson	Mélange de sucre chaud déversé sur la surface de cuisson.	<ul style="list-style-type: none"> • Appeler un technicien qualifié pour le remplacement.
Cycle fréquent des positions marche et arrêt sur les éléments de surface	Des ustensiles de cuisine inappropriés sont en cours d'utilisation.	<ul style="list-style-type: none"> • See Surface elements cycle on and off section. Consulter la section les éléments de surface parcourant les positions marche et arrêt.
Le bouton de commande ne tourne pas	La commande de la surface de cuisson est réglée de manière incorrecte	<ul style="list-style-type: none"> • Lorsque le bouton est en position Arrêt, il doit être enfoncé avant d'être tourné. Lorsque le bouton se trouve à une autre position, il peut être tourné sans être enfoncé.



☎ 1 (844) 334-4203

🌐 www.thermomate.com

✉ support@thermomate.com

📍 3330-A Marathon Ct Charleston, SC 29418

