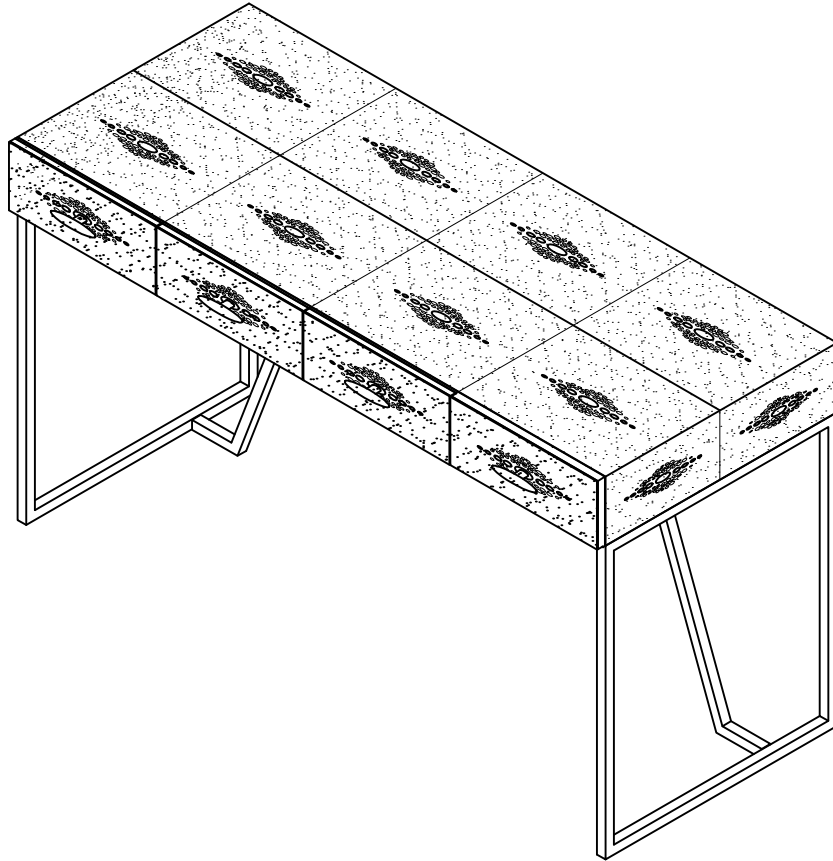


# ASSEMBLY INSTRUCTION

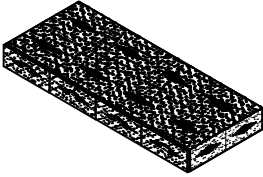
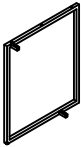
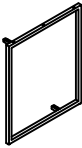
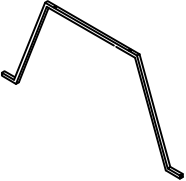
## SHAGREEN DESK

*Thank you for purchasing this quality product. Be sure to check all packing material carefully for small parts which may have come loose inside the carton during shipment. Identify and count all parts and compare with the parts list below.*

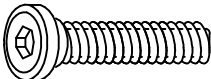
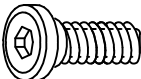



**PRODUCT SIZE: 1372Wx560Dx774H**

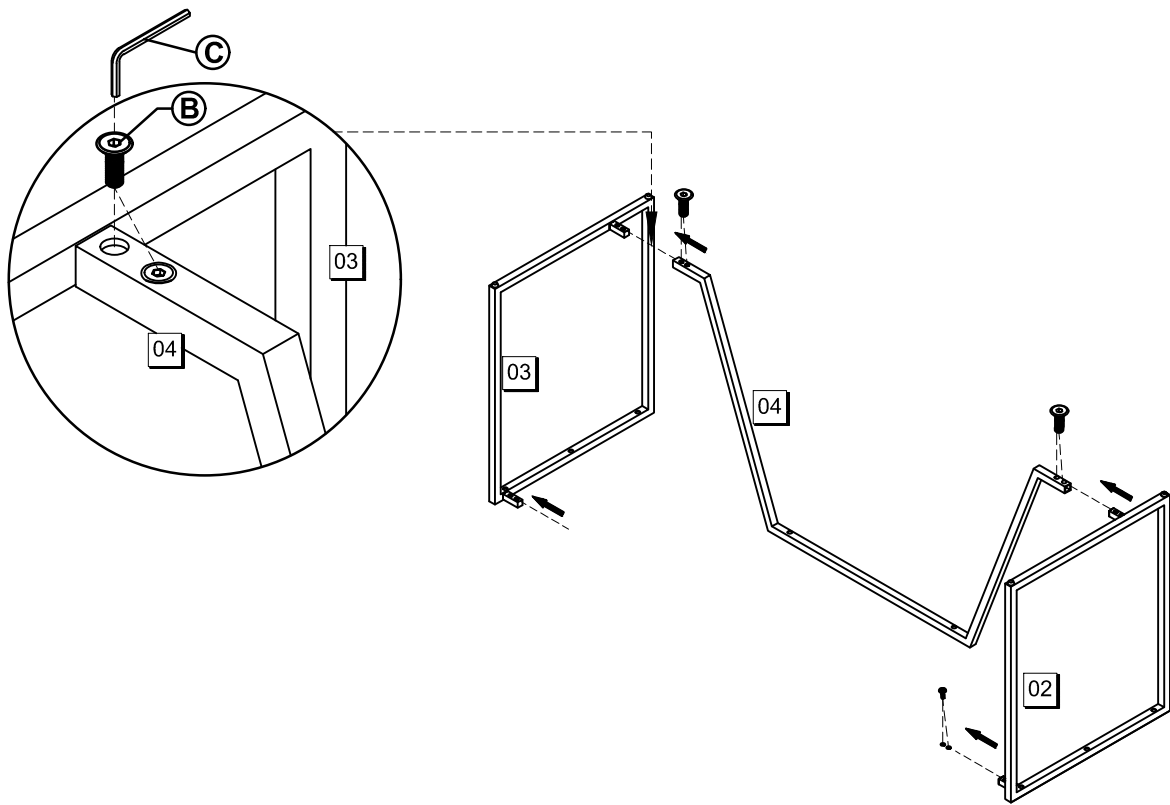
### PART LIST

			
Part 1 (1 pc)	Part 2 (1 pc)	Part 3 (1 pc)	Part 4 (1 pc)

### HARDWARE LIST

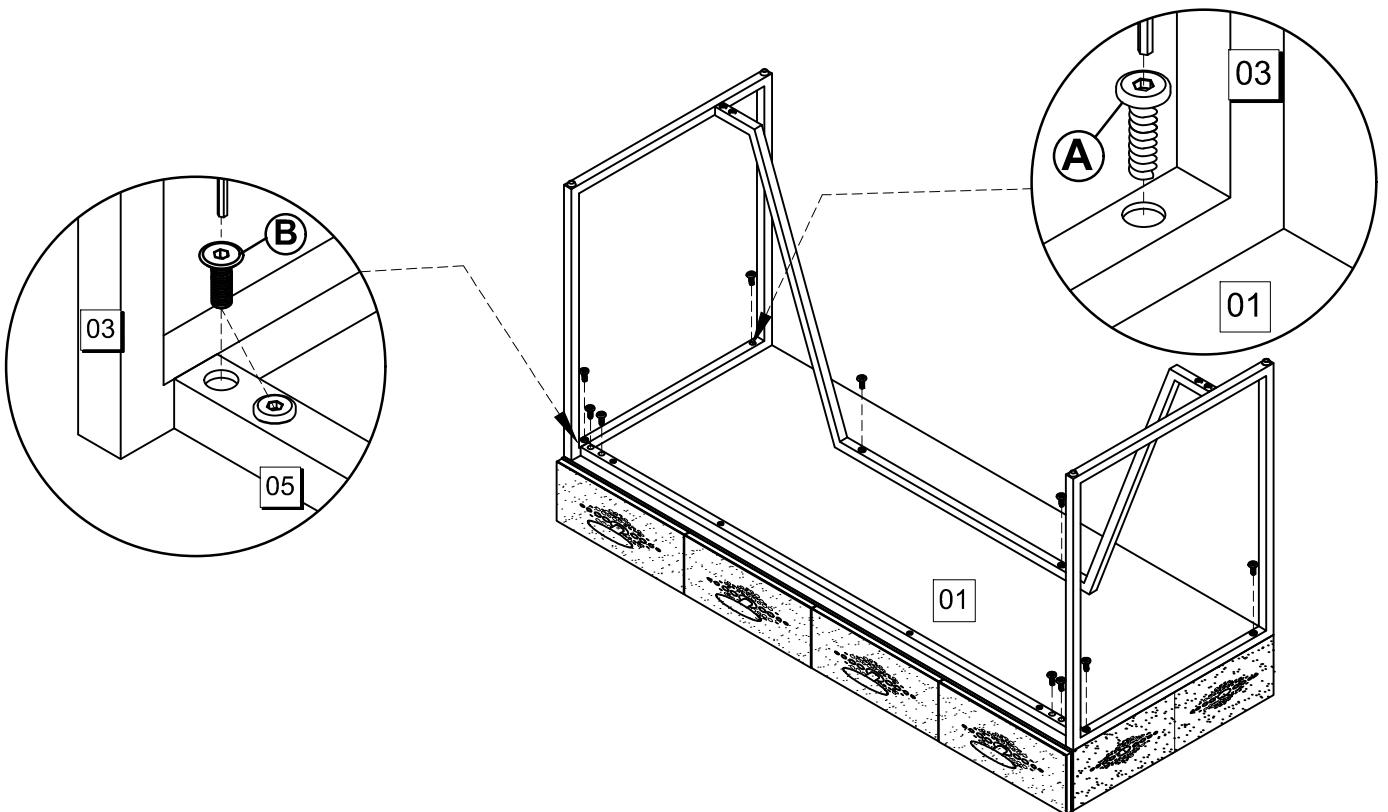
		
A. Bolt M6x30 (6 pcs)	B. Bolt M6x15 (8 pcs)	C. Allen key M4 (1 pc)

**STEP 1**



**NOTE:** Ensure the handle is straight before tightening the bolt

**FINISHED**



**NOTE:** Ensure the handle is straight before tightening the bolt