

# SIGHT MARK®

## USER MANUAL



**MINI SHOT M-SPEC  
REFLEX SIGHT**

**SM26043, SM26043DE**



**MINI SHOT M-SPEC LQD  
REFLEX SIGHT**

**SM26043-LQD, SM26043-LQDDE**

# ABOUT SIGHTMARK®

While Sightmark's MAKE YOUR MARK tagline perfectly illustrates our mission to provide uncompromising accuracy in virtually any environment, to us, those three words mean quite a bit more.

MAKE YOUR MARK represents our commitment; first, to those who serve; second, to our Constitutional right to bear arms, the right ensuring all others remain intact; and finally, every single professional and recreational shooting enthusiast embracing and sharing our Pro-2nd Amendment lifestyle.

MAKE YOUR MARK also symbolizes our desire to build more than a brand people know they can trust. It represents our higher calling to build an honorable, unapologetic legacy, truly appreciative of the fabric of a free society to pass on to future generations. Only accomplishing the latter truly embodies the gravity of what MAKE YOUR MARK means to us.

In the spirit of gratitude for those who preserve freedom as we know it to be, MAKE YOUR MARK is a call to action. One we take seriously when it comes to developing products worthy of our brand... and our lifetime warranty. The same brand countless professionals rely upon for performance in the best... and most assuredly, worst of times.



## MINI SHOT M-SPEC SERIES

Designed to be used on shotguns, pistols and AR's, the compact Mini Shot M-Spec Series is a rugged reflex sight with a 3 MOA red dot reticle. The sight includes both a low profile mount and a riser mount. Built from durable aluminum housing with a steel protective hood, the Mini M-Spec features an IP67 waterproof rating, making it ideal for law enforcement missions and hunting in the elements. The M-Spec also boasts extremely low power consumption technology, 1 MOA windage and elevation click adjustments, 10 brightness levels, an ambidextrous digital on switch and a 3 MOA reticle with 12 hour auto shut off.

### FEATURES:

- Locking quick detach mount\*
- 100% waterproof and dustproof
- Extremely low power consumption
- Windage and elevation click adjustments
- 3 MOA red dot reticle
- 10 reticle brightness levels
- Ambidextrous digital switch brightness controls
- Steel protective shield
- 12 hour auto shut off
- Advanced, parallax free lens design

- Rugged, lightweight aluminum alloy housing
- Scratch resistant lens coating
- Night vision compatible
- Motion activated on/off function

### INCLUDED:

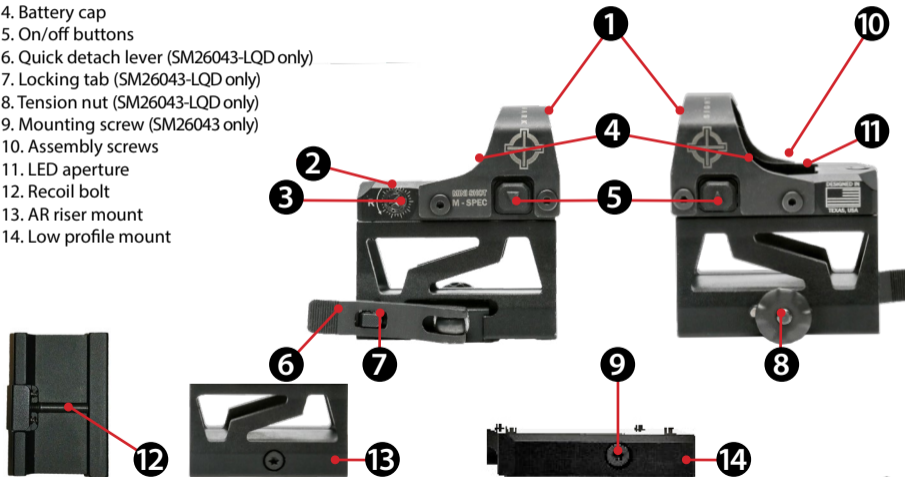
- Rubber cover
- Low profile and AR riser mounts
- Batteries
- Limited Lifetime Warranty

*\*available with the LQD model only*

<b>Technical Specifications:</b>	<b>SM26043 / DE</b>	<b>SM26043-LQD / DE</b>
Magnification (x)	1	1
Objective (mm)	21x15	21x15
Eye relief	Unlimited	Unlimited
Coating	Fully Multicoated AR red	Fully Multicoated AR red
IP Standard (water rating)	IP67 - Submersible to 1m	IP67 - Submersible to 1m
Reticle	3 MOA dot	3 MOA dot
MOA adjustment (1 click)	1	1
Battery type	CR1632	CR1632
Battery life (hour)	300-30,000	300-30,000
Brightness settings	1-10 and "off"	1-10 and "off"
Max recoil (caliber)	up to .375 H&H	up to .308
Body material	Aluminum - 6061	Aluminum - 6061
Mount type	Weaver/Picatinny	Weaver/Picatinny
Operating temperature (°F)	-22 to 122	-22 to 122
Dimensions (in)	1.73x1.14x2.2	1.73x1.14x2.2
Weight (oz)	3	3.4

# DIAGRAM

1. Objective lens
2. Elevation adjustment
3. Windage adjustment
4. Battery cap
5. On/off buttons
6. Quick detach lever (SM26043-LQD only)
7. Locking tab (SM26043-LQD only)
8. Tension nut (SM26043-LQD only)
9. Mounting screw (SM26043 only)
10. Assembly screws
11. LED aperture
12. Recoil bolt
13. AR riser mount
14. Low profile mount



## INSTALLING THE BATTERY

The Sightmark Mini Shot M-Spec is powered by a single CR1632 battery. Should the reticle illumination grow dim or fail to illuminate, the battery needs to be replaced.

### **To install a new battery:**

1. Unscrew the battery cap (4) counterclockwise.
2. Insert the new battery into the battery compartment with the positive side facing up.
3. Screw the battery cap on clockwise until firmly secure. Do not over tighten.

## ON/OFF ACTIVATION

### **To turn the unit on:**

1. Press and release on/off buttons marked with an up or down arrow on the brightness controls (7).

### **To turn the unit off:**

1. Press and hold the down arrow for five seconds.

**Note:** *The unit will automatically shut off after 12 hours to save battery life.*

## BRIGHTNESS CONTROLS

The Mini Shot M-Spec offers 10 brightness settings. Settings 1 through 3 are best for low light such as dusk or dark indoor environments. Settings 4 through 7 are best for environments with mid-level brightness such as normal indoor lighting or cloudy outdoor environment. Settings 8 through 10 are best for very bright, sunny outdoor environments.

### To adjust the brightness:

1. Press the appropriate up or down arrow to adjust the brightness of the dot.
2. To increase brightness press the up arrow.
3. To decrease brightness press the down arrow.

**Note:** *The last brightness setting used prior to deactivation will be the same setting next time the unit is activated.*

## MOUNT TYPE

The Sightmark Mini Sight M-Spec includes a low profile mount (14) and AR riser mount (13) for absolute co-witness. If mounting on a bolt action hunting rifle or shotgun, the low profile mount (14) is recommended. If mounting on flat top AR-15 rifle, it is recommended the AR riser mount (13) be installed for an absolute co-witness with iron sights.

### To remove the base:

1. Use the included torx key to loosen and unscrew the two assembly screws (10) attaching the sight to the mount.
2. Separate the sight from the mount.
3. Select the desired mount to attach the sight to.
4. For a semi-permanent fixture, a small amount of blue Loctite® may be applied to the threading of the two assembly screws. Tighten and secure the two screws by applying 20 inch pounds of torque. Do not overtighten.



LOW PROFILE MOUNT



AR RISER MOUNT

## MOUNTING

The Mini Shot M-Spec is designed to mount to both weaver and picatinny rails. For safety, it is best to have at least three to four inches of eye relief.

### **To mount SM26043:**

1. Loosen the mounting screw (9) on the mount. Attach the Mini Shot M-Spec to the firearm's rail with the objective lens (1) facing toward the muzzle.
2. Make sure the recoil bolt (12) is positioned in the groove of the rail and the unit is fully seated on the rail.
3. Tighten the hex nut to 35 to 45 in/lbs of torque using the included hex wrench. Do not overtighten.

### **To mount SM26043-LQD:**

The Mini Shot M-Spec LQD model includes a locking, quick detach mount. To mount the Mini Shot to a firearm, position the sight so the objective lens (1) faces the muzzle.

1. To loosen the mount, press forward on the locking tab (7) located on the quick detach lever (6). Once the tab is pressed forward, open the lever.
2. Attach the Mini Shot to the firearm's rail. Make sure the recoil bolt (12) is positioned in the groove of the rail.
3. Make sure the Mini Shot is properly engaged with the firearm's base and close the lever. Press down until the lever is engaged in the locked position. A click sound will be heard once locked in position.
4. Check that the weapon sight is tightly secured in position and is not shifting forward or backward. If the mount is too loose the sight will not hold zero. To prevent this, the mount must be tightened.
5. To adjust tension on the mount, remove the sight from the firearm. Leave the levers in the open position and the mount loose.



6. On the opposite side of the levers are tension nuts (8). To tighten or loosen the mount, rotate the nut. Clockwise rotation of the tension nut will increase tension in the mount and counterclockwise rotation will decrease tension. Mount the sight to the rail again to confirm the sight is securely mounted. The Mini Shot M-Spec is compatible with optic ready pistols such as the S&W® M&P® Core® and Glock® MOS pistols. It can also be installed on specific handgun models with the purchase of Sightmark pistol mount accessories.

**Pistol mount bases include:**

- Beretta® for models 92/96/90-TWO
- 1911 Standard
- Glock® with standard frame (1.18" width)
- Sig Sauer® P226
- Springfield® XD models
- Smith & Wesson® M&P models
- HK® USP

## MOUNTING (CONTINUED)

To install the Mini Shot M-Spec onto a pistol using a Sightmark pistol mount base please read the following instructions. It is recommended to use a qualified gunsmith to remove the rear sight from your handgun. Using improper tools or improvised removal methods can damage your pistol.

### **Once the rear sight is removed:**

1. Remove the pistol mount base and dovetail piece from the packaging.
2. Insert the dovetail piece into the slot where the rear sight was installed.
3. Next, the mount base is placed on top of the slide over the dovetail. Secure the two Philips screws by applying 20 inch pounds of torque. Once tightened the dovetail and baseplate will provide a press fit. For a semi-permanent fixture a small amount of blue Loctite® may be applied to the threading of the two screws.
4. The Mini Shot is then placed on the mount base. The four holes on the bottom of the Mini Shot will align with the four pins on the mount base.
5. Secure the Mini Shot to the mount base using the two hex screws that were included with your pistol mount base. Secure the two Philips screws by applying 20 inch pounds of torque. For a semi-permanent fixture a small amount of blue Loctite® may be applied to the threading of the two screws.

## OPERATING THE WINDAGE AND ELEVATION ADJUSTMENTS

The Sightmark Mini Shot M-Spec has built-in windage and elevation adjustments (2, 3) with audible clicks. The Mini Shot has 1 MOA clicks so each click moves the point of impact 1" at 100 yards, ½" at 50 yards, and ¼" at 25 yards.

### **In order to make windage and elevation adjustments:**

1. Use a flathead screwdriver to make adjustments or “clicks”.
2. Turn the adjustments in the appropriate direction needed to change the point-of-impact as indicated by the “UP” and “R” (left) arrows marked on the adjustments.
3. For elevation adjustment, turn the adjustment counter-clockwise to adjust the bullet’s point of impact up. Turn the adjustment clockwise to adjust the bullet’s point of impact down. For windage adjustments, turn the adjustment counter-clockwise to adjust the bullet’s point of impact right. Turn the adjustment clockwise to adjust the bullet’s point of impact left.

## **BORESIGHTING and SIGHTING IN**

Boresighting and test firing should be performed safely on a firing range. Laser boresights are a quick and accurate method for sighting in. Below is listed the traditional method of boresighting and works best when the unit is mounted on a rest.

1. When mounting the sight on a bolt action rifle, remove the bolt; or when mounting to a semi-automatic rifle, disassemble the rifle until there is a straight line of sight through the bore.
2. Use a target at least twenty yards to fifty yards away when sighting in the sight. Look through the bore of the weapon and locate the bull’s-eye of the target.
3. Sight in the target through the bore and then make windage and elevation adjustments (see “Operating Windage and Elevation Adjustments” for instructions) to the red dot until the reticle is centered on the bull’s-eye.

## BORESIGHTING and SIGHTING IN (CONTINUED)

To verify the riflescope is accurately sighted in, always fire a three-shot test group at 50 or 100 yards preferably using the same ammo manufacturer, grain, and lot number.

4. After firing a group use the center of this grouping and make the necessary amount of adjustments to the elevation and windage adjustments to move your firearm's grouping to the center of the target.
5. Again fire a three-shot test group to confirm the adjustments. Use the center of the new group to determine final adjustments.

## MAINTENANCE

Proper maintenance of the Sightmark Mini Shot M-Spec is recommended to ensure longevity. It is recommended that when the sight becomes dirty that it is wiped down with a dry or slightly damp cloth. Blow dirt and debris off all optics and then clean lenses with a lens cleaning cloth. To remove oils or dried water spots, apply a small amount of denatured alcohol to a lens cloth or cotton swab. Clean the surface of the lens and let dry. Finally use your breath to clean the lens once more. No further maintenance is required. Do not attempt to disassemble any components of the sight.

## STORAGE

Make sure that your Sightmark Mini Shot M-Spec is securely attached to your rifle before storing, and be sure that the reticle illumination is turned off. Cover with the included rubber cover. Remove the battery if the unit will be stored for an extended period of time.

## WARNING

Before handling the Sightmark Mini Shot M-Spec sight read and understand the contents of your firearm's manual, and the Sightmark manual. Follow all standard safety precautions and procedures during firearm operation, even when the reflex sight is not in use.

- Avoid hitting or dropping the unit.
- ALWAYS check that the chamber of your weapon is clear before mounting or dismounting the reflex sight.
- The reticle illumination should be tested during periods of non-use to make sure it is still operating properly. Failure to follow standard firearm safety precautions and procedures, as well as the above warnings, is dangerous and may result in serious injury, damage to property, or death.

## TROUBLESHOOTING

Proper authorization is required before shipping any product back to Sightmark. Failure to obtain authorization could result in your product being returned to the wrong address, lost, or damaged. Sightmark is not liable for products returned without authorization.

### **If the Mini Shot does not hold zero:**

1. Verify the sight is mounted securely to the rifle. If the sight can be shifted in any direction, re-tighten the mount according to the mounting instructions but do not over tighten. The sight will need to be re-zeroed afterwards.
2. Be sure to use factory-loaded ammunition of the same bullet type, weight, and, preferably lot number when sighting in.

## TROUBLESHOOTING (CONTINUED)

### **The reticle does not illuminate:**

1. Check that the battery is in working order and that the polarity of the battery is correct.
2. Check that there is no residue, film, or corrosion on the battery contacts that may be preventing the reticle from illuminating.

### **The reticle is blurry and not in focus:**

1. Decrease the brightness level of the reticle. The halo or fuzzy appearance is caused by excess illumination than is required for the current environment the sight is being used in.
2. Make sure the eyepiece lens is clean and does not have any film, fingerprints, or debris covering the surface. Blow off any debris or dirt covering the lens. Use a lens cloth or q-tip dipped in alcohol to remove any film or fingerprints.
3. If you are testing the product at a close range, 5 yards or less, to verify its on/off operation the eye will accommodate and focus either on the sight's reticle or the target you are observing not both. Test the product beyond 5 yards and focus your eye on the target, then the reticle and target should be in focus.

### **The reticle illumination turns off while firing:**

1. Tighten the battery cap with a coin or flathead screw driver so the cap is fully seated.

## **SIGHTMARK WARRANTY**

Please visit [www.sightmark.com](http://www.sightmark.com) for warranty details and information.

## **ADDITIONAL LANGUAGES**

Please visit [www.sightmark.com](http://www.sightmark.com) for additional languages of this manual.









SIGHT  MARK<sup>®</sup>

[www.sightmark.com](http://www.sightmark.com)