

# hermitlux

## INSTALLATION AND USER'S MANUAL

**HMX-USD24Y75AC**

**HMX-USF35G75CC**

**HMX-USG18G75CC**

**IMPORTANT NOTICE:**

Read and save these instructions.

Installer: Leave this guide with the homeowner.

Homeowner: Keep this guide for future reference.



# CONTENT

INTRODUCTION .....	2-3
SAFETY PRECAUTION .....	2
INSTALLATION INSTRUCTIONS .....	4
AIR OUTLET INSTALLATION METHOD .....	5
WALL MOUNTING INSTALLATION .....	6-7
PYRAMID WALL MOUNTING INSTALLATION .....	8-9
UNDER CABINET RANGE HOOD INSTALLATION .....	10-12
FILTER INSTALLATION .....	13
OPERATION .....	14-15
MAINTENANCE .....	16-17
TROUBLESHOOTING .....	18
ENVIRONMENTAL PROTECTION .....	18

# INTRODUCTION

## INTRODUCTION

Thank you for choosing this cooker hood.

- This instruction manual is designed to provide you with all required instructions related to the installation, use and maintenance of the appliance.
- In order to operate the unit correctly and safely, please read this instruction manual carefully before installation and usage.

## SAFETY PRECAUTION

- Never let the children operate the machine.
- The cooker hood is for home use only, not suitable for barbecue, roast shop and other commercial purpose.
- Clean the cooker hood according to the instruction manual and keep the unit from danger of burning. There is a fire risk if cleaning is not carried out in accordance with the instructions.
- Please keep the kitchen room with good ventilation before connecting this appliance; Please check that the power supply cord is undamaged. A damaged supply cord must be replaced by qualified service personnel only.
- Regulations concerning the discharge of air have to be fulfilled.
- This appliance can be used by children aged from 8 years and above and also the persons with reduced physical, sensory or mental capabilities or lack of experience and knowledge if they have been given supervision or instruction concerning use of the appliance in a safe way and understand the hazards involved. Children shall not play with the appliance. Cleaning and user maintenance shall not be made by children without supervision.
- If the supply cord is damaged, it must be replaced by the manufacturer, its service agent or similarly qualified persons in order to avoid a hazard.

### **CAUTION:**

Accessible parts may become hot when used with cooking appliance.

Electrical Shock Hazard

Only plug this unit into a properly earthed outlet.

If you have doubts, seek advice from a suitably qualified engineer.

## Hardware Included



× 9

St4 × 30



× 9

φ 5 × φ 8



× 2

St3 × 10



× 9

St4 × 30



× 9

φ 5 × φ 8



× 9

St4 × 30



× 9

φ 5 × φ 8



× 2

St3 × 10

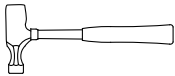
## Tools Required



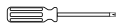
Pencil



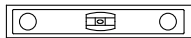
Measuring tape



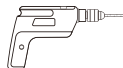
Hammer



Screwdriver



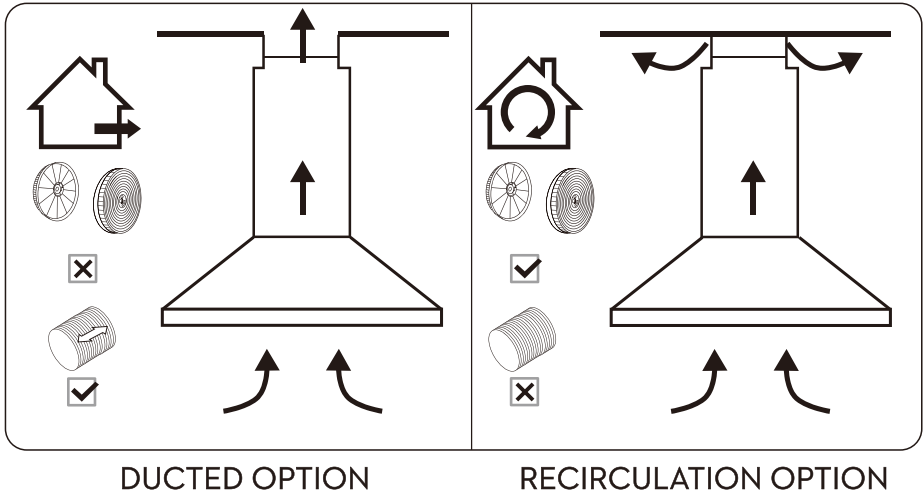
Level



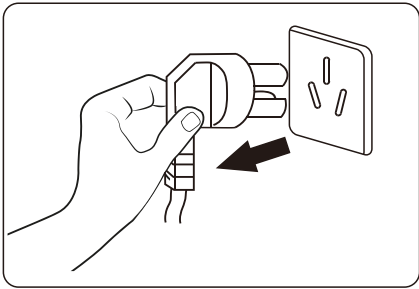
Electric drill or  
powered screwdriver

# INSTALLATION INSTRUCTIONS

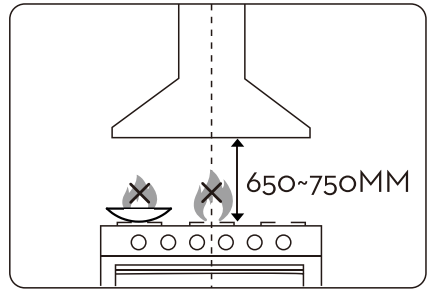
## Prepare for installation:



a. If you have an outlet to the outside, your cooker hood can be connected as above picture by means of a pipe (with an interior diameter of 150mm). If you don't have an outlet to the outside, you can go with recirculation mode by using carbon filter.



b. Before installation, turn the unit off and unplug it from the outlet.

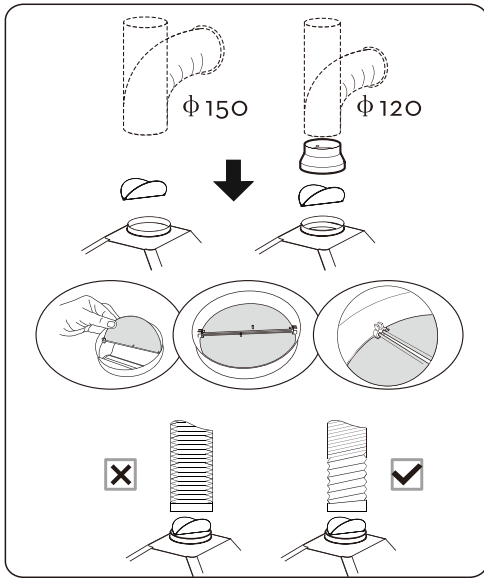


c. The cooker hood should be placed at a distance of 650~750 mm above the cooktop for the best effect.



No open flames directly approach to the range hood.

## AIR OUTLET INSTALLATION METHOD



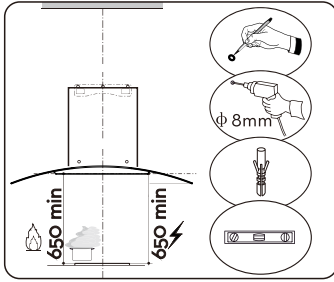
**Installation method for 150mm diameter pipe:** insert the one-way valve as the pic and fix the pipe.

**Attention:** The bump of the one-way valve must be upward.

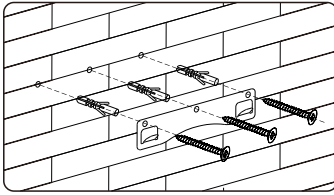
**Installation method for 120mm diameter pipe:** insert the damper as the picture and fix the converter before placing the duct.

The pipe near the air outlet need to be fully extended.

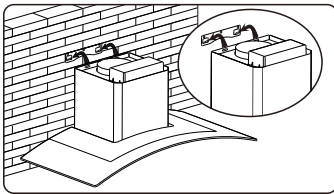
## WALL MOUNTING INSTALLATION



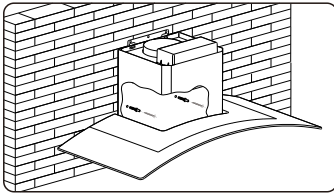
Prepare pencil, electric drill, plastic wall anchors and level before installation.  
Recommended installation height: 700mm.  
Required minimum installation height: 650mm.



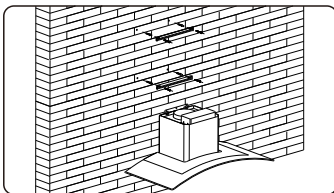
Drill 3 × 8mm holes to accommodate the bracket. Screw and tighten the hook onto the wall with the screws & plastic wall anchors provided.



Lift the cooker hood and hang onto the wall hook.

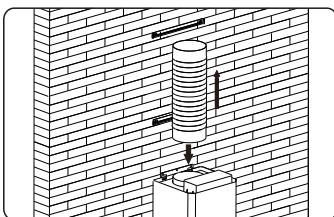


Need to drill 2 × 8mm extra holes & fixing screws & plastic wall anchors before installation.

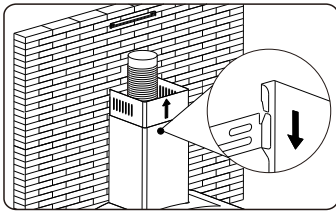


Mark down the position and drill 2 holes for each chimney bracket and tighten the bracket with screws.

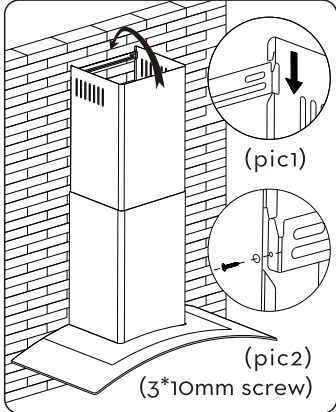
**i** Note The longer bracket is upper chimney bracket.



Fix the one-way-valve to the air outlet of the cooker hood, and then attach the pipe onto the air outlet as picture.

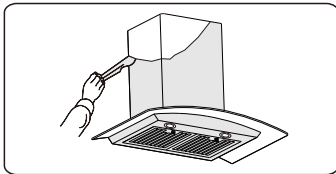


Put the upper chimney into lower chimney .  
Then pulling out the upper chimney upwards.  
Adjust to reach the height required.



There are 2 methods for installing the chimney cover. Please check the attached pic for reference.

- 1.After drilling the 2 holes and fixing the bracket, hang the chimney cover by matching the both side locks.(Pic1)
- 2.After drilling the 2 holes and fixing the bracket, install the chimney cover by locking with 2 screws in both side holes.(Pic2)

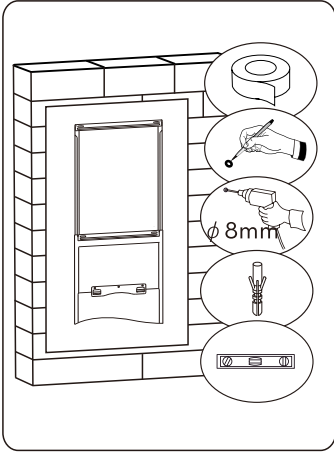


### BEFORE USE

**i** Please remove the white/blue  
**Note** protective film on the range hood,  
chimney covers and baffle filters.



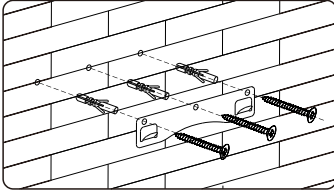
# PYRAMID WALL MOUNTING INSTALLATION



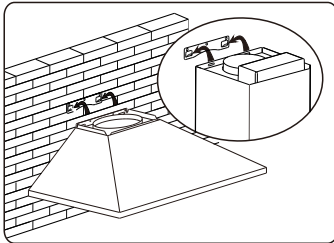
Prepare pencil, electric drill, plastic wall anchors and level before installation.  
Recommended installation height: 27.6"  
Required minimum installation height: 25.6"  
1. Stick the installation template on the wall.  
2. Drill the holes which showing on the template.

## CAUTION:

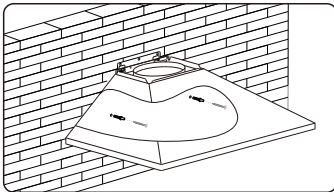
Peel off the paper after drilling the holes.  
The chimney covers height can be adjusted from 500mm to 750mm.



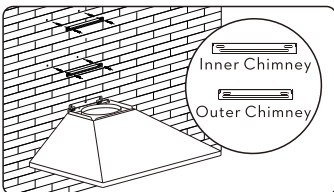
Drill 3 x 8mm holes to accommodate the bracket. Screw and tighten the hook onto the wall with the screws & plastic wall anchors provided.



Lift the cooker hood and hang onto the wall hook.

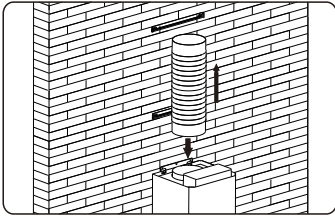


Need to drill 2x8mm extra holes & fixing screws & plastic wall anchors before installation.

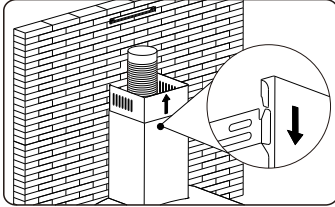


Mark the position and drill 2 holes for each chimney bracket and tighten the bracket with screws.

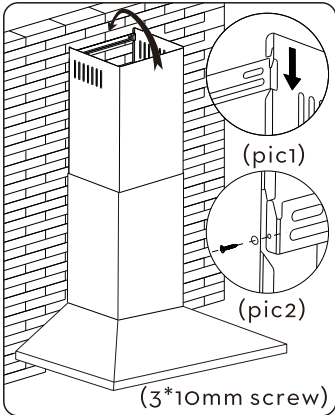
 **The longer bracket is upper**  
**Note chimney bracket**



Fix the one-way-value to the air outlet of the cooker hood, and then attached the pipe onto the air outlet as picture.

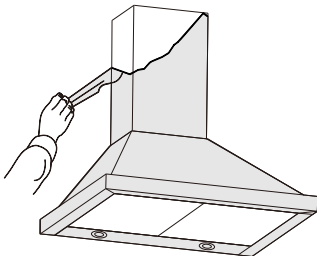


Put the upper chimney into lower chimney . Then pulling out the upper chimney upwards. Adjust to reach the height required.



There are 2 methods for installing the chimney cover. Please check the below pic for reference.

- 1.After drilling the 2 holes and fixing the bracket, hang the chimney cover by matching the both side lock.(Pic1)
- 2.After drilling the 2 holes and fixing the bracket, install the chimney cover by locking with 2 screws in both side holes.(Pic2)

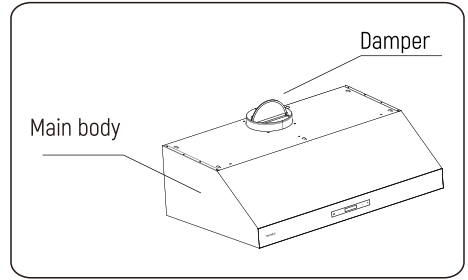
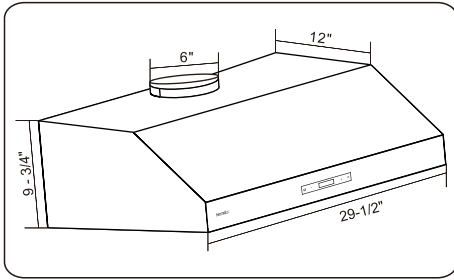


### BEFORE USE

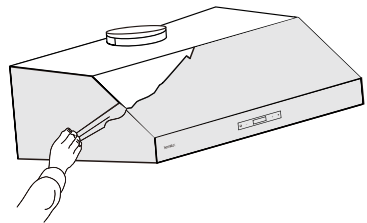
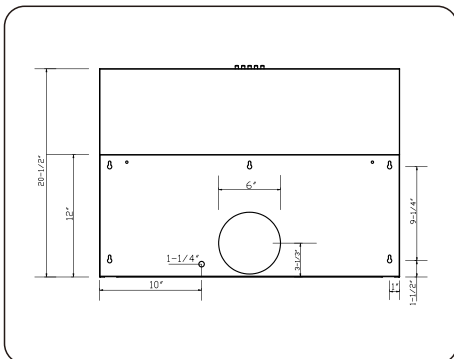
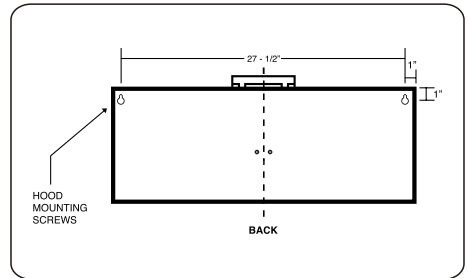
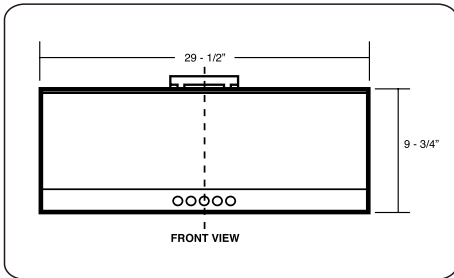
**i** Please remove the white/blue Note protective film on the range hood, chimney covers and baffle filters.

# UNDER CABINET RANGE HOOD INSTALLATION

## Parts Diagram:



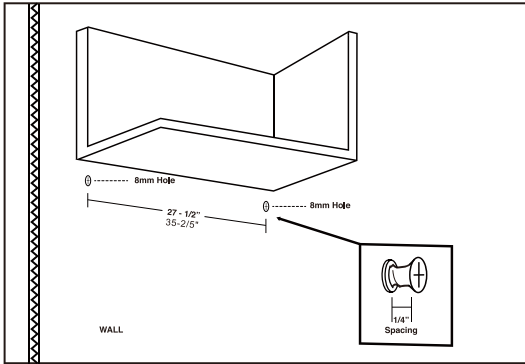
## Baffle Filters



**BEFORE USE**  
**i** Please remove the white/blue Note protective film on the range hood, chimney covers and baffle filters.

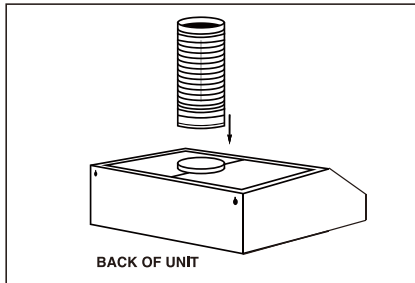
# Installation:

## Step 1-3

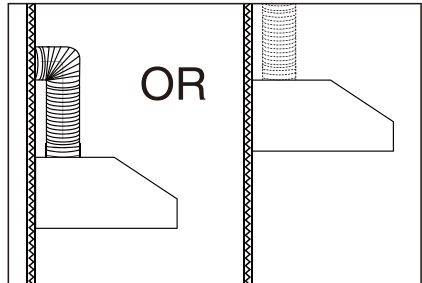


1. Drill two 8mm holes in position for Wall Anchor (Part B) placement. **(See Page 5 for placement location).**
2. Tap Wall anchors securely into each of the drilled holes.
3. After Wall anchors have been tapped in place, Insert 4x30 screws, but leave 1/4of the screw sticking out of the wall. **(This will give your Range Hood something to hang onto).**

## Step 4



## Step 5

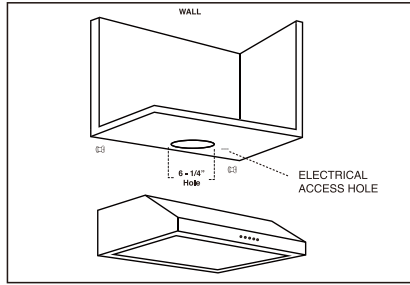


4. Take the hood unit along with the 6Round Aluminum duct (Part D). Secure the round aluminum duct to the vent hole at the top of the hood unit using HVAC Aluminum foil tape.

**If mounting to a cabinet, skip step 5 and proceed with steps 6-11.**

5. If mounting to the wall only, drill a 6-1/4 round hole on the back wall above the hood, OR into the ceiling directly above the hood.
  - 5a. Remove baffle filters from underneath the hood and set them aside.
  - 5b. Lift the hood and hang the hood unit on the back wall using the screws drilled in Step 3. Once the hood is securely hung on the wall, tighten the screws from the interior of the hood.
  - 5c. Pull round aluminum duct through the newly drilled hole in the wall. Plug unit into power outlet. Reinstall baffle filters.

### Step 6

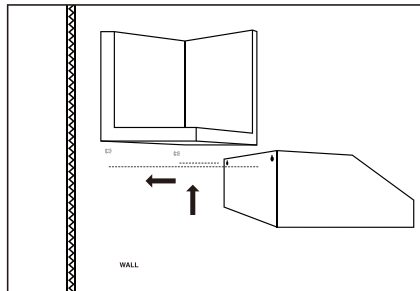


6. Drill a 6 - 1/4 Round Hole into the bottom of the cabinet. Drill a 1 - 1/2 hole into the bottom of the cabinet for the Electrical Access hole.

**See Page 5 for hole location according to the diagram (Top View).**

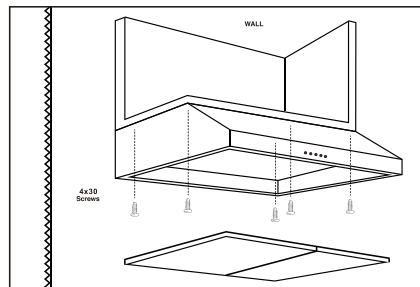
- 6a. Pull the round duct & power cord through the bottom of the new cabinet holes.

### Step 7



7. Lift the hood and hang the hood unit on the back wall using the screws drilled in Step 3.

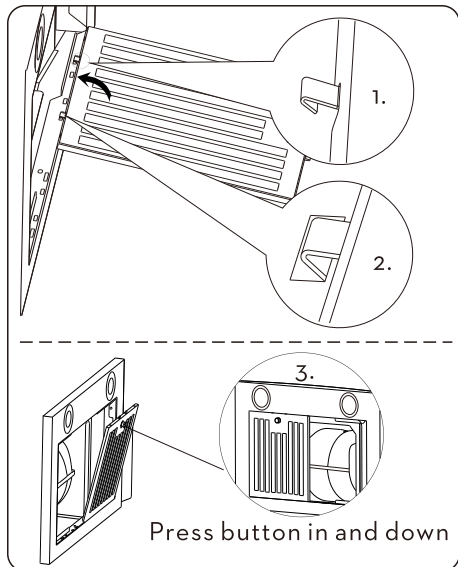
### Step 8-9



8. Once the Hood is hung to the back wall, Remove the baffle filters from underneath the hood.
9. Drill each of the five pieces of 4x30 screws (**Part C**) into the bottom of the cabinet using the five screw holes at the top of the hood.
10. Once the hood is secured into the cabinet, tighten the wood screws located in the back of the hood. Install Baffle filters back into place. Make sure hood is secure by pressing on it. Plug unit into power outlet.

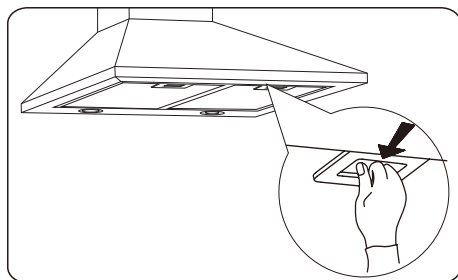
# FILTER INSTALLATION

## **Baffle Filter:**



1. Line up filter hooks to holes in unit.
2. Lift filter for hoochs to go into holes.
3. Lock Filter into place.

## **Aluminium Filter:**



# OPERATION

## Push Button



①

### OFF Button

Turn off the fan.

②

### Low Speed Button

Start the fan at low speed .

It is suitable for simmering and cooking which does not make much steam.

③

### Medium Speed Button

Start the fan at medium speed.

This is ideal for ventilation during standard cooking operation.

④

### High Speed Button

Start the fan at high speed.

This is ideal for ventilation when a high density of smoke or steam has been produced.



### Light Button

Used for turning on/off the light.

## Touch Control



After plug in power,will into Stand By mode automatic.

- 1.Fan symbol,will turn when the fan is working
- 2.Time display
- 3.Timer
- 4.Light
- 5.Fan speed
- 6.Alarm symbol
- 7.Cleanning symbol,appear when total working time up to 14 hours

### + Speed plus key

For increasing the speed of the fan.

### — Speed decrease key

For decreasing the speed of the fan.

### ☀ Light key

### 🕒 Timer key

Time setting,Press and hold in stand-by mode.This will go into time setting function.Hour display will flash.



# MAINTENANCE

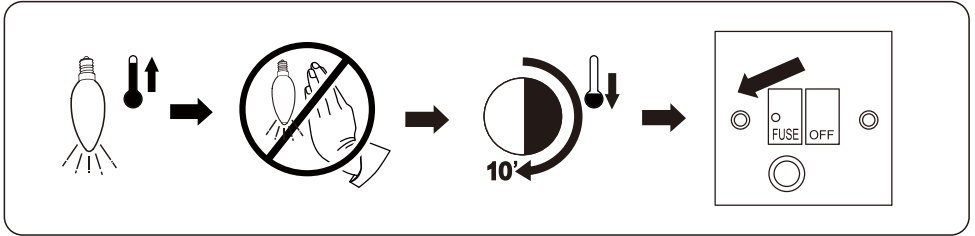
Before cleaning switch the unit off and pull out the plug.

## I. Regular Cleaning

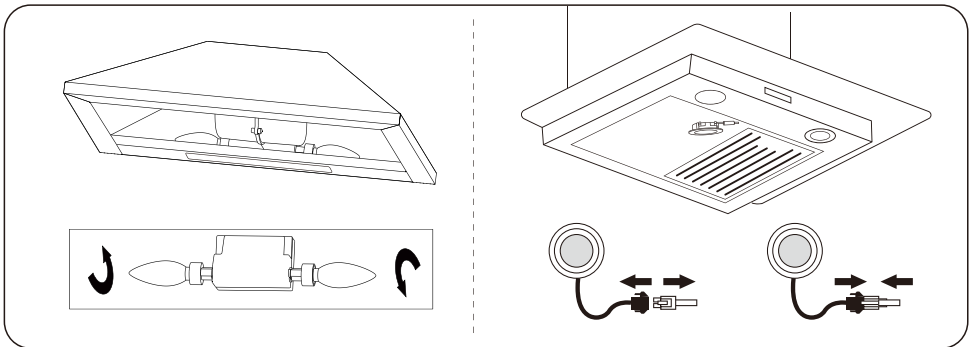
Use a soft cloth moistened with hand-warm mildly soapy water or household cleaning detergent. Never use metal pads, chemical, abrasive material or stiff brush to clean the unit.

## II. Bulb Replacement

1. Switch the unit off and unplug the appliance.
2. Remove the lamp cover by unscrewing the 2 screws.
3. Unscrew the incandescent bulb.
4. Replace with the same type and rated bulb/lamp  
E14 Incandescent Bulb: (E14 Max 40W).

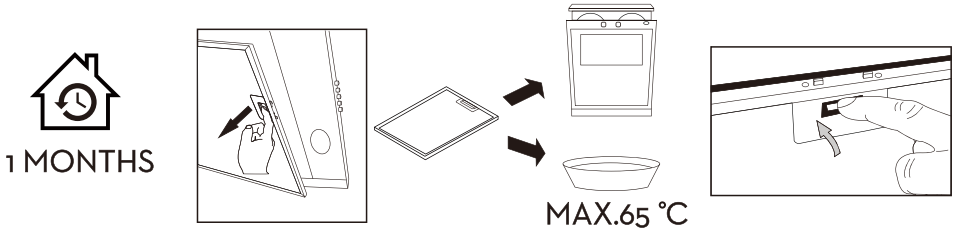


The Bulb may be hot, leave it 10 minutes before replacement.



### III. Aluminium and carbon filter replacement

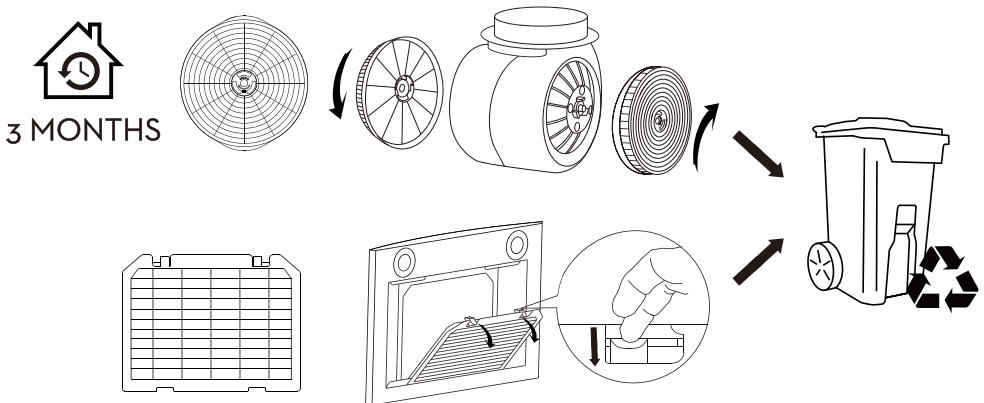
In order to install the carbon filter, the grease filter should be detached first. Press the lock and pull it downward.



**Aluminium filters:** To avoid fires, clean thoroughly once a month or whenever the display pilot lights up (if fitted). To do so, remove the filters and soak in hot water and detergent for an hour. If using a dishwasher, position the filters vertically to improve the cleaning process.

**VI. Carbon filter life time:** Suggest changing to new one every 3 months (According to different kitchen condition, the life time of carbon filter might be longer or shorter than 3 months).

**Installation:** Fix carbon filter into the unit and turn it in clockwise direction. Repeat the same on the other side.



#### Important Notice:

1. Make sure the filter is securely locked. Otherwise, it would loosen and cause abnormal noise and danger.
2. Using carbon filter would reduce the air flow of the range hood.

## TROUBLE-SHOOTING

Fault	Cause	Solution
Light on, but fan does not work	The fan blade is jammed.	Switch off the unit and repair by qualified service personnel only.
	The motor is damaged.	
Both light and fan do not work	Light bulb burn.	Replace the LED light with correct rating.
	Power cord is loose.	Plug into the power supply again.
Serious Vibration of the unit	The fan blade is damaged.	Switch of the unit and repair by qualified service personnel only.
	The fan motor is not fixed tightly.	
	The unit is not hung properly on the bracket.	Take down the unit and check whether the bracket is in proper location.
Suction performance not good	Too far distance between the unit and the cooktop.	Readjust the distance between 650-750mm.

## ENVIRONMENTAL PROTECTION

Waste electrical products should not be disposed of with household waste. Please recycle where facilities exist. Check with your Local Authority or retailer for recycling advice.





## ZHIYUAN APPLIANCES CO.,LIMITED

3/F WORKINGTON TOWER 78 BONHAMSTRAND SHEUNG WAN HK

Email:support@hermitlux.com Website:www.hermitlux.us

Customer Service: +852 67239361

### WARRANTY CARD

Product

Range hood

Model

Sr.No.of Product

Cash memo no./  
Date of Dealer

Name & Address/  
Stamp of Dealer

Signature of Dealer

#### **NOTE.**

*For easier reference,pleasent Original Sales Invoice or Official Receipt  
when claiming warranty.*

*The Manufacturer and/or Exclusive Distributor has the sole discretion in  
determining the cause of defects.*



hermitlux



[www.hermitlux.us](http://www.hermitlux.us)