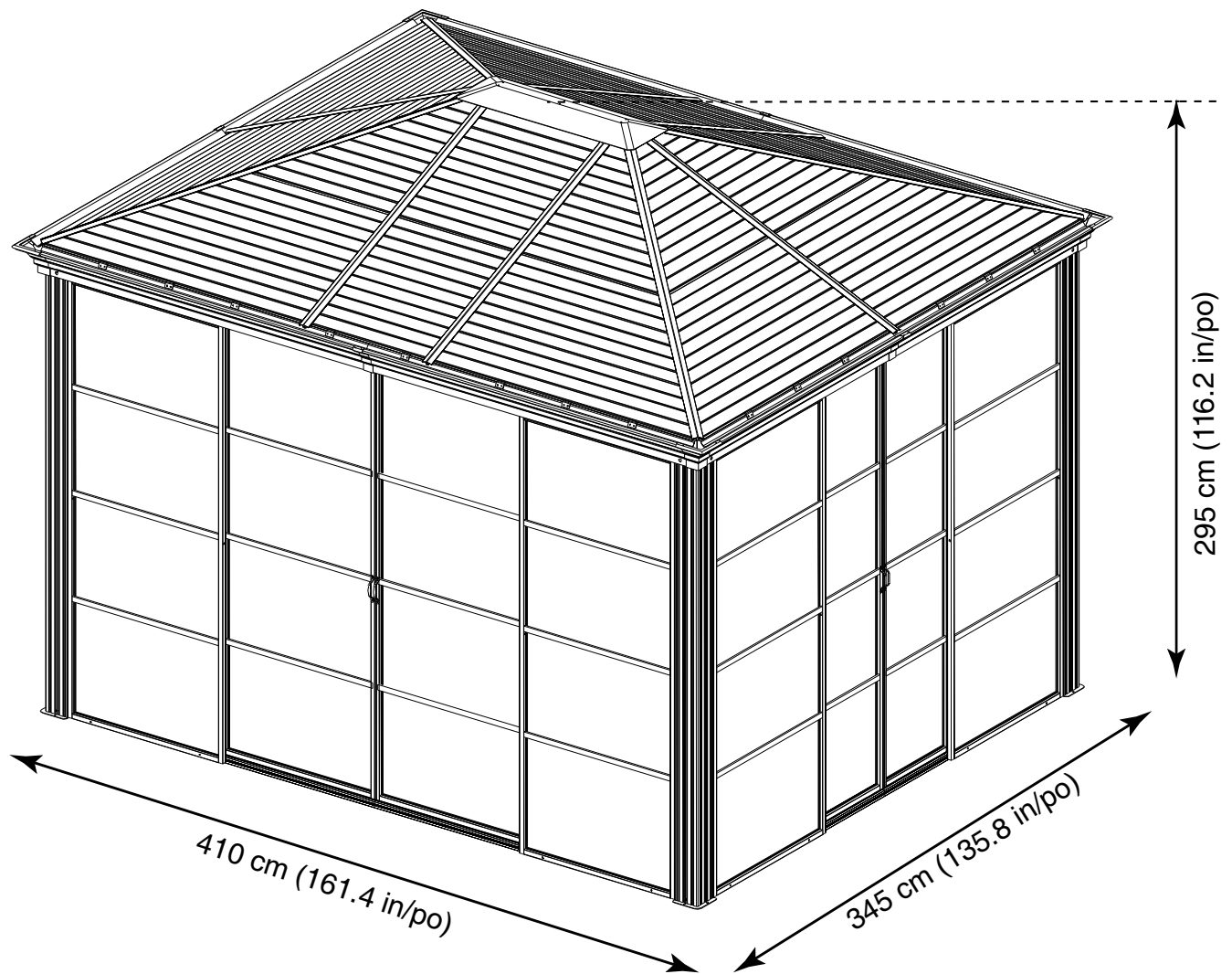
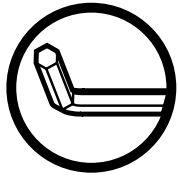
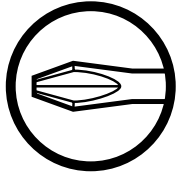


## Assembly Manual / Guide d'assemblage / Manual de ensamblaje / 조립설명서 / Montageanleitung





Use the hex keys in the box. / Utilisez les clés hexagonales fournies dans la boîte. / Utilice las llaves hexagonales en la caja. / 상자에 육각 키를 사용 하십시오. / Verwenden Sie die Sechskantschlüssel in der Box.



Please use a Phillips screwdriver. / Utilisez un tournevis de type Phillips / Por favor, use un destornillador Phillips. / 십자 드라이버를 사용 하십시오. / Bitte verwenden Sie einen Kreuzschraubenzieher.



You may need to use a drill for this step. / Vous pouvez avoir besoin d'utiliser une perceuse pour cette étape. / Puede que tenga que utilizar un taladro para este paso. / 이 단계에선 드릴을 사용해야 할 수도 있습니다. / Für diesen Schritt können Sie einen Bohrer verwenden.



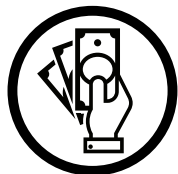
Wearing protective gloves is recommended. / Le port de gants de protection est recommandé / El uso de guantes de protección se recomienda. / 보호 장갑을 착용 하는 것이 좋습니다. / Das Tragen von Schutzhandschuhen wird empfohlen.



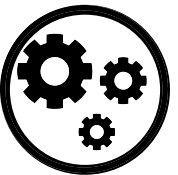
Two or more people are required at this stage. / Deux personnes ou plus sont nécessaires à cette étape. / Dos o más personas se requieren en esta etapa. / 이 단계에서는 두 명 이상 이 필요합니다. / Für diesen Bauschritt sind 2 oder mehr Personen erforderlich.



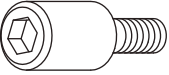

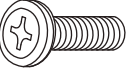

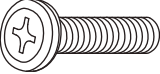
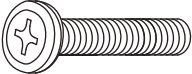
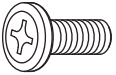
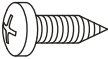

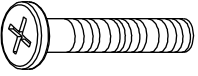



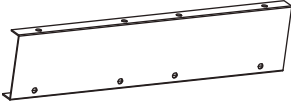

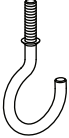
Do not tighten screws all the way for now. / Ne pas visser fermement pour l'instant. / No atornille con firmeza por ahora. / 아직 나사를 단단히 조이지 마십시오. / Bitte die Schrauben zum jetzigen Zeitpunkt noch nicht fest anziehen.

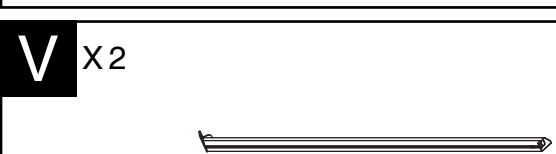
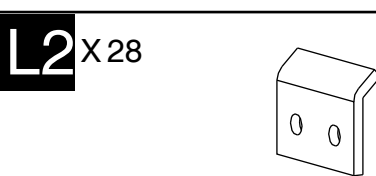
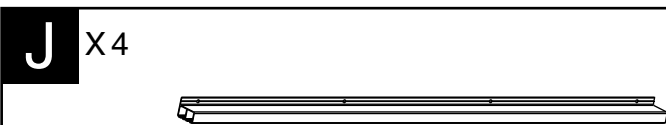
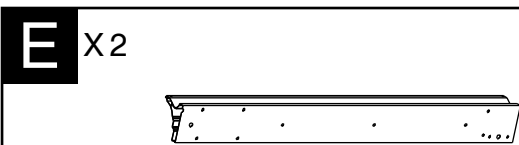
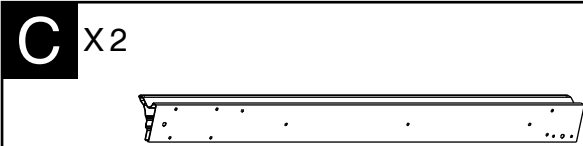
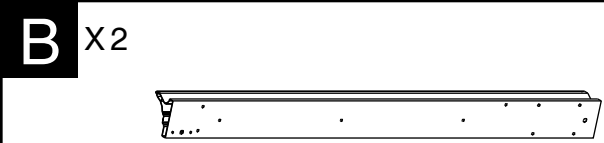


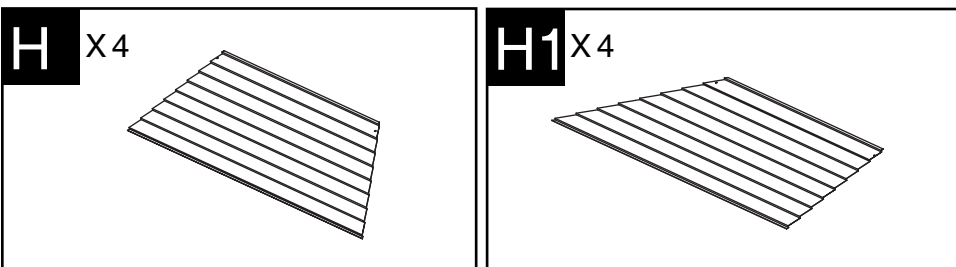
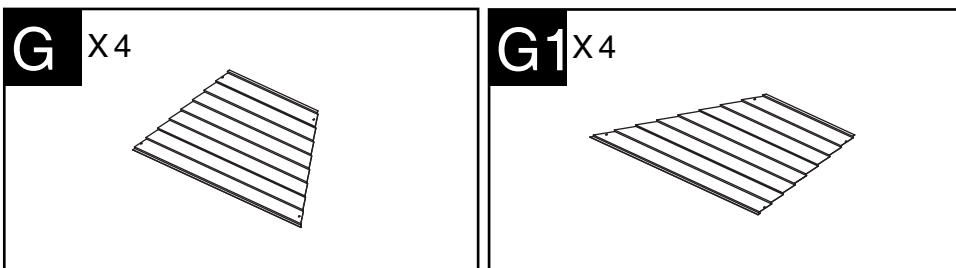
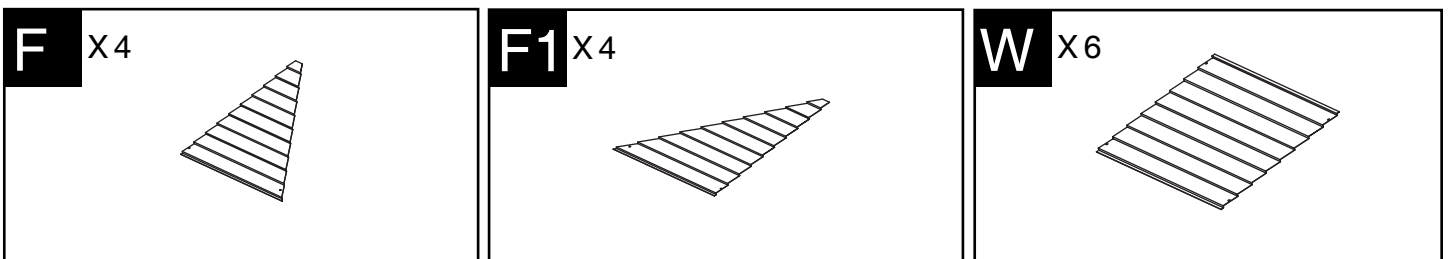
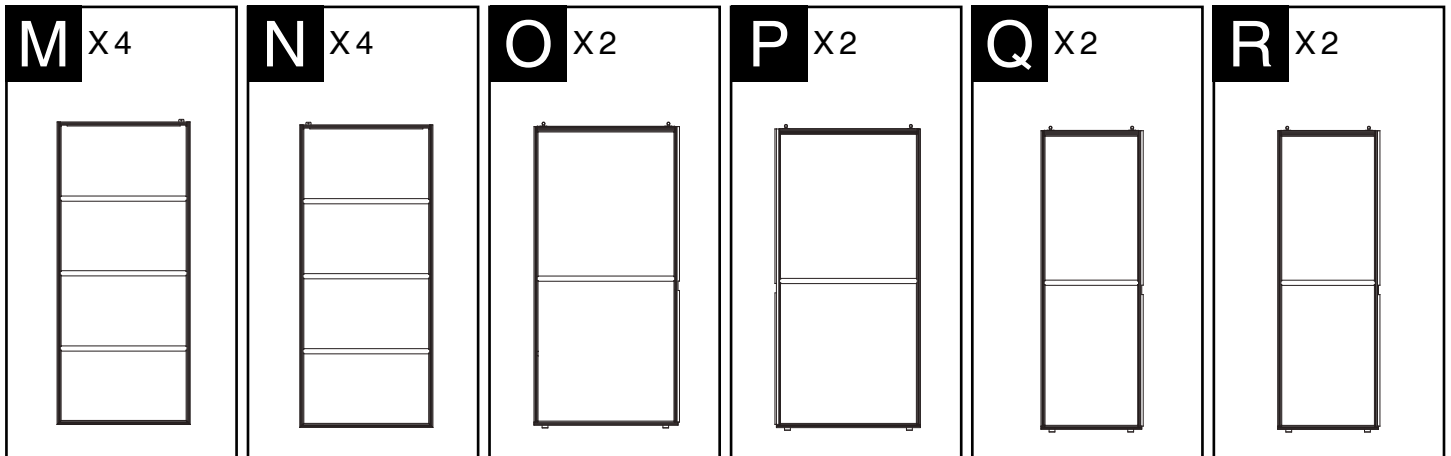
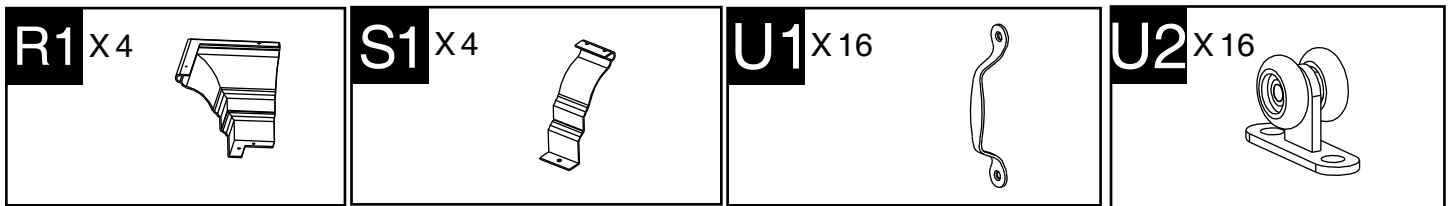
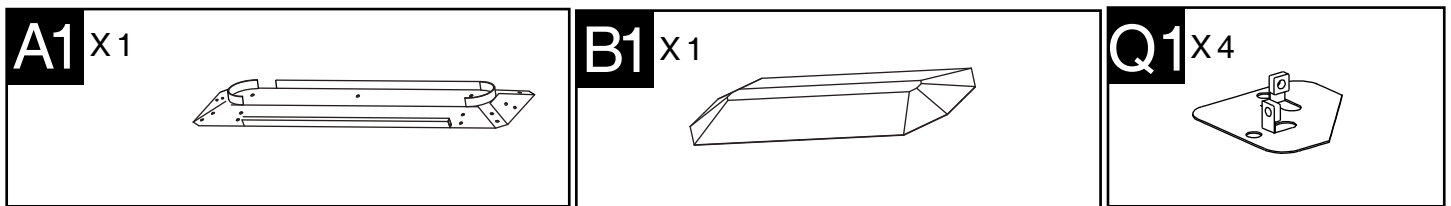
Sold separately. / Vendus séparément. / vendido en las opciones. / 옵션 판매 / Optional erhältlich

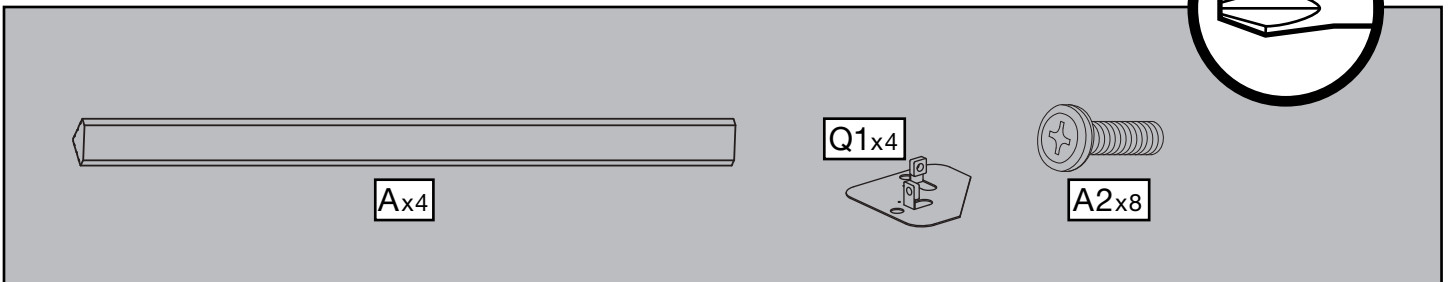
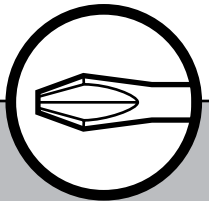
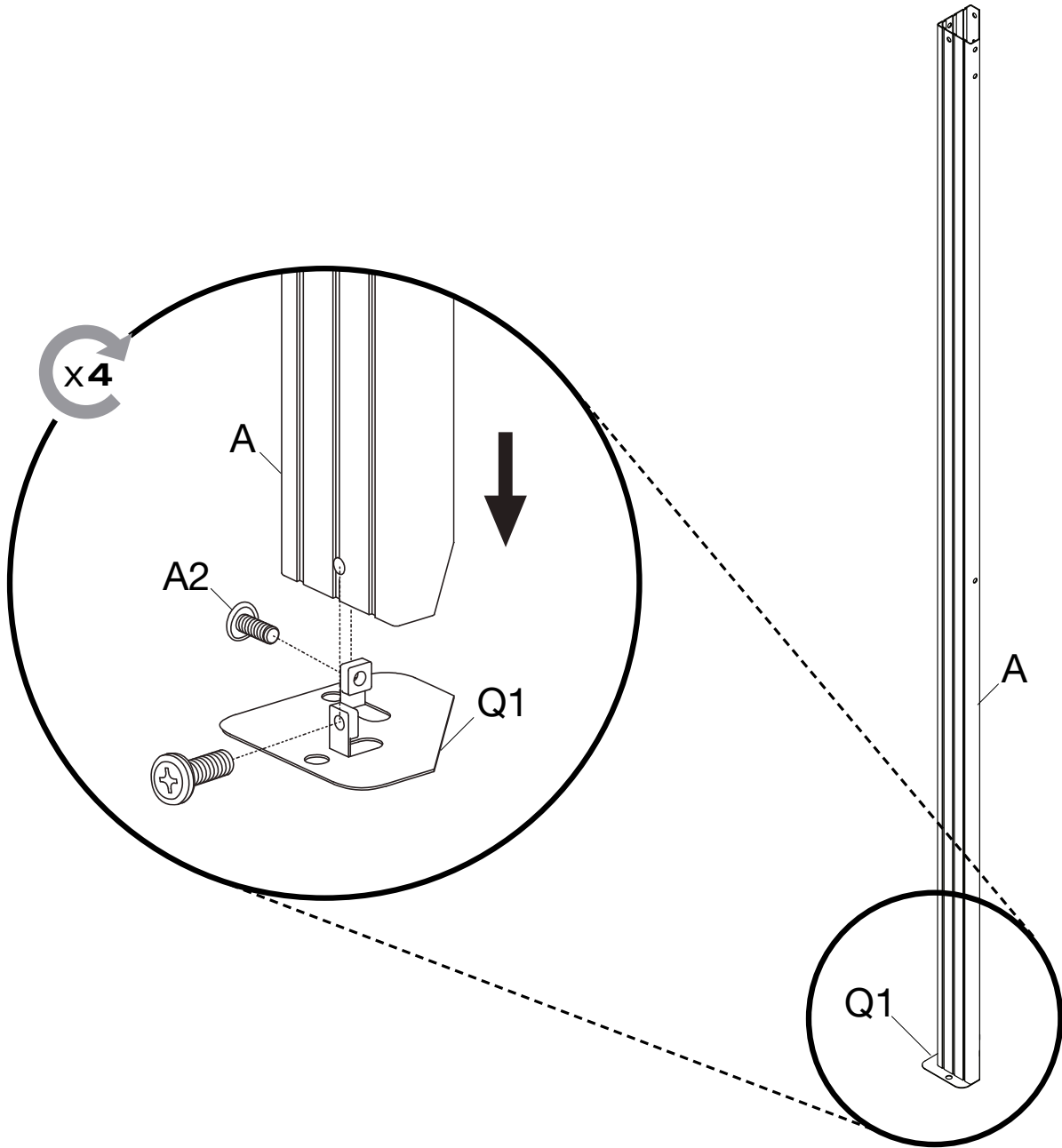


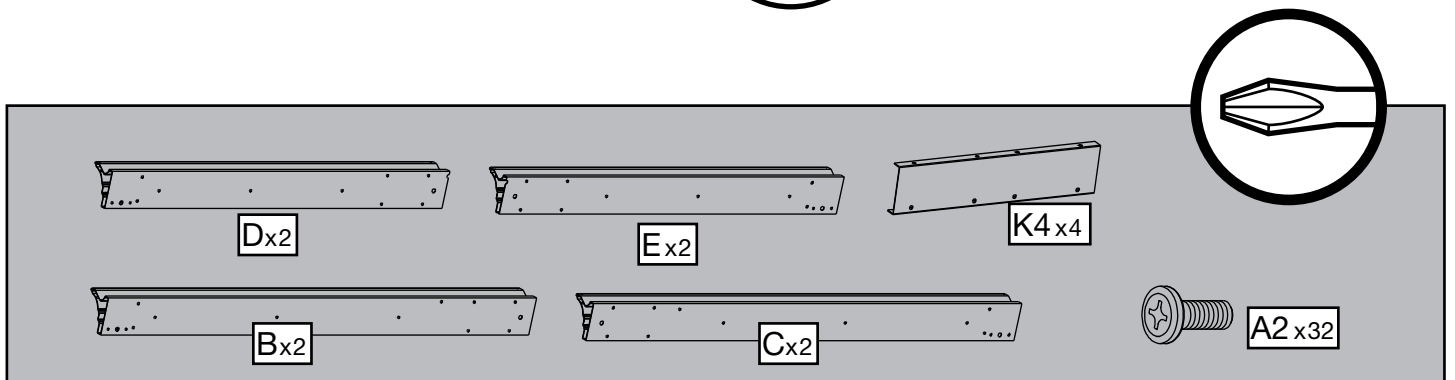
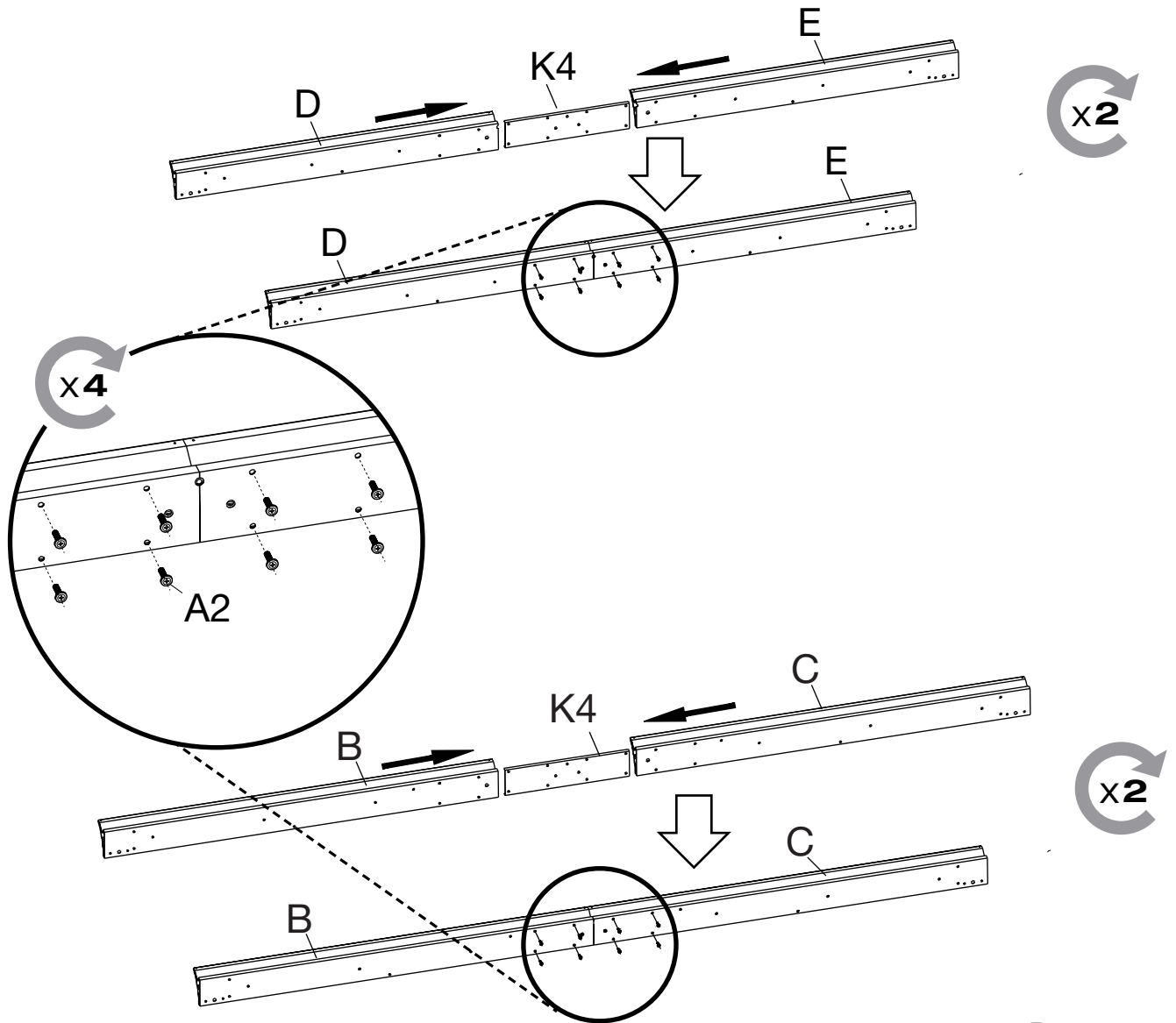
Optional step / Étape optionnelle / Paso opcional / 선택적 단계 / Optionaler Schritt

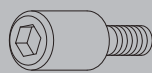
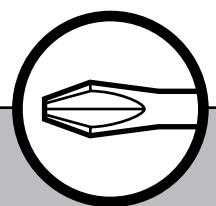
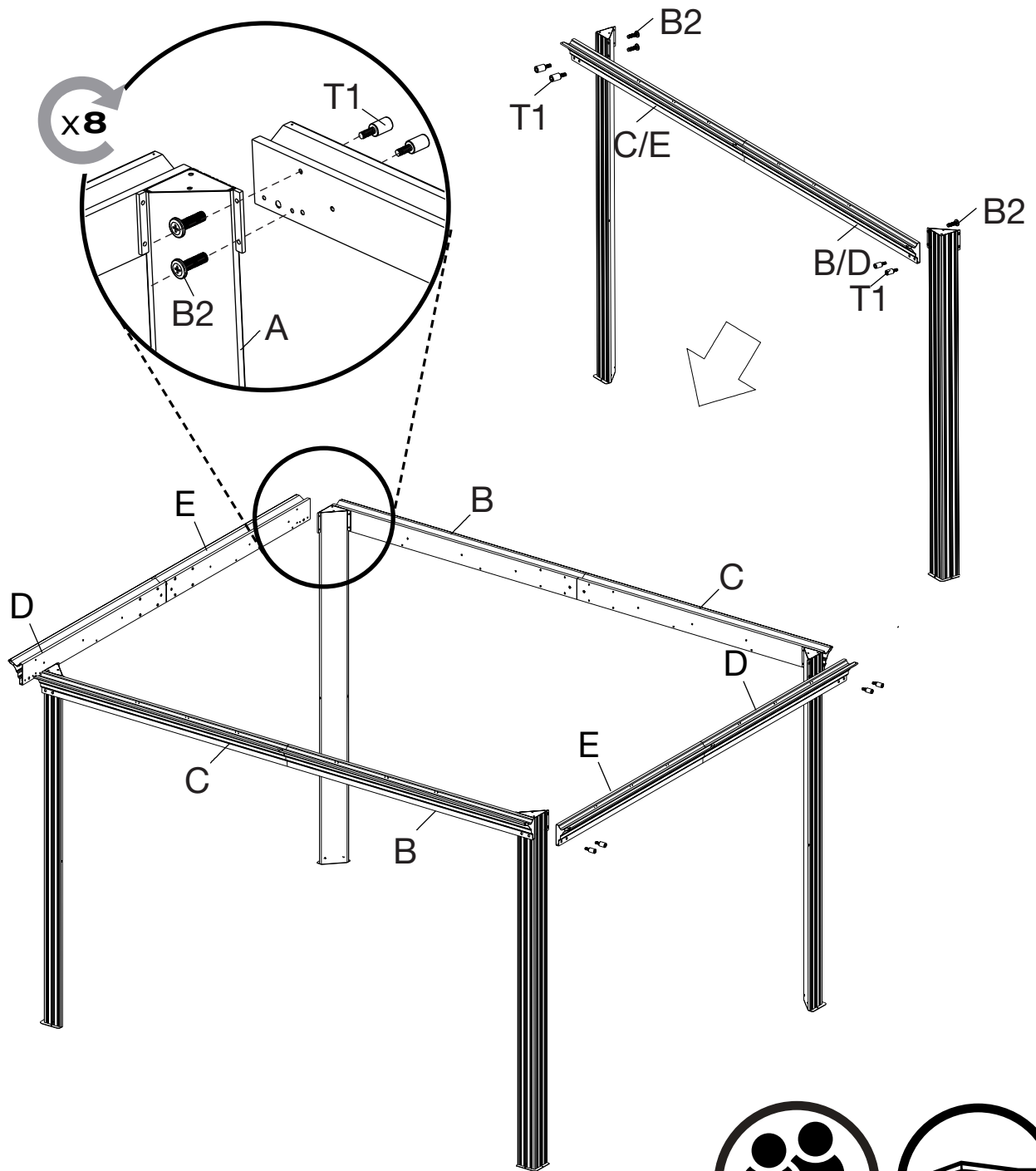
<b>T1</b> X 16 (+2) 	<b>V1</b> X 16 (+2) 	
<b>A2</b> X 182 (+10) 	<b>B2</b> X 21 (+2) 	
<b>C2</b> X 16 (+2) 	<b>D2</b> X 20 (+2) 	
<b>E2</b> X 32 (+3) 	<b>F2</b> X80 (+6) 	<b>H2</b> X 16(+2) 
<b>I2</b> X54 (+4) 	<b>J2</b> X 40(+4) 	<b>K2</b> X 4 
<b>K3</b> X 8 	<b>K4</b> X 4 	
<b>G2</b> X 1 	<b>Y</b> X 2 	



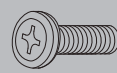






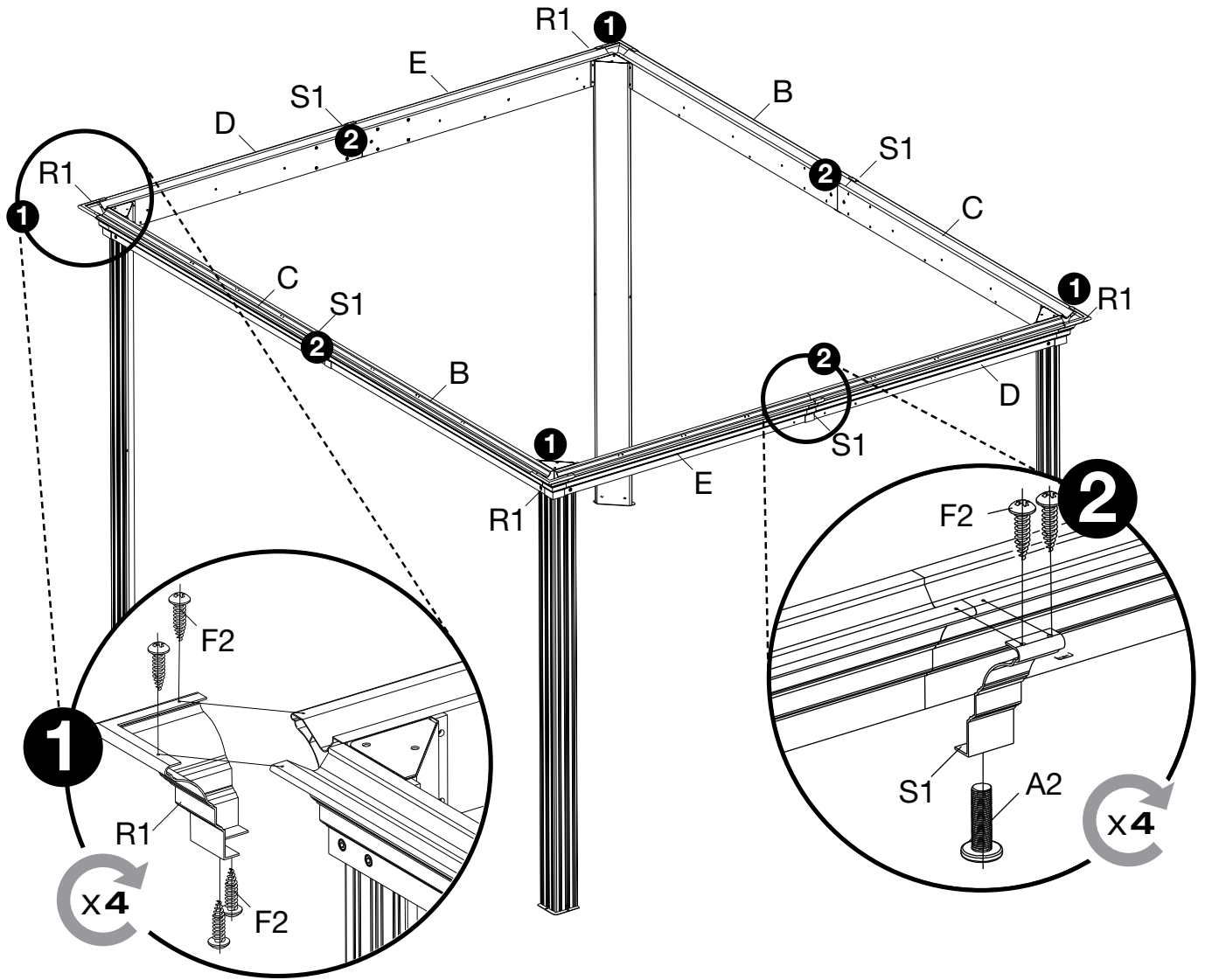


T1x16



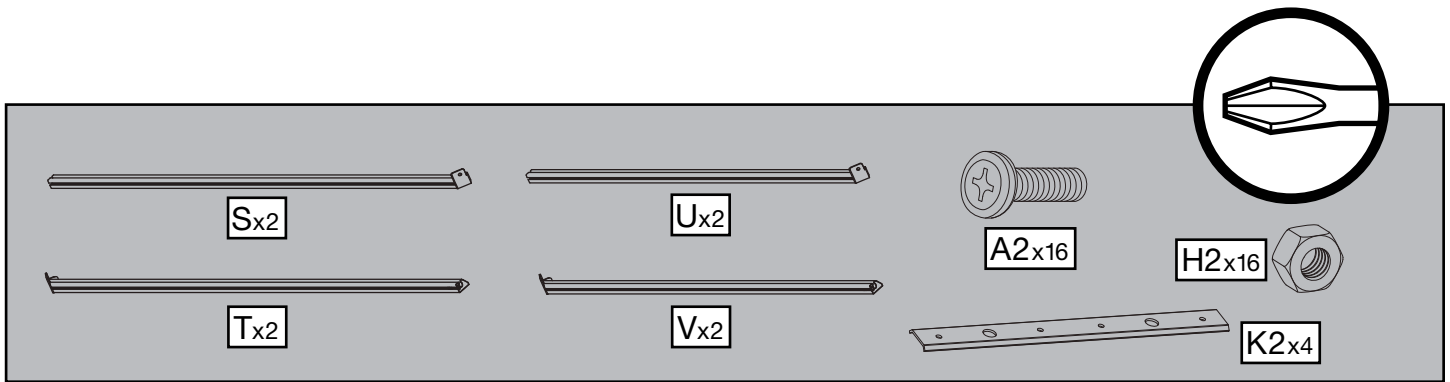
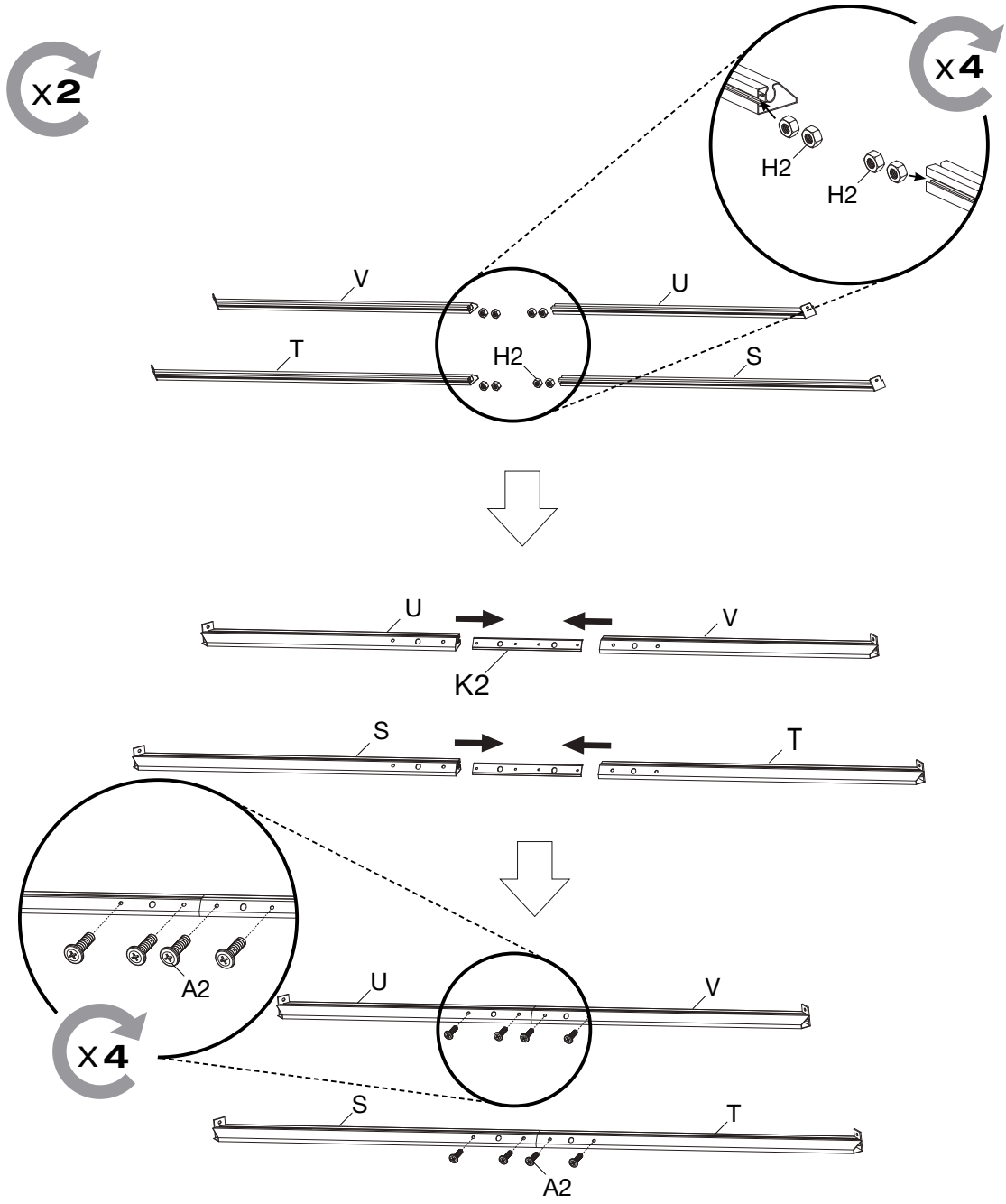
B2x16

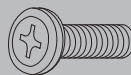
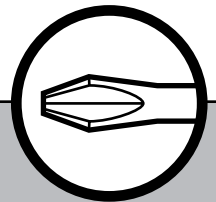
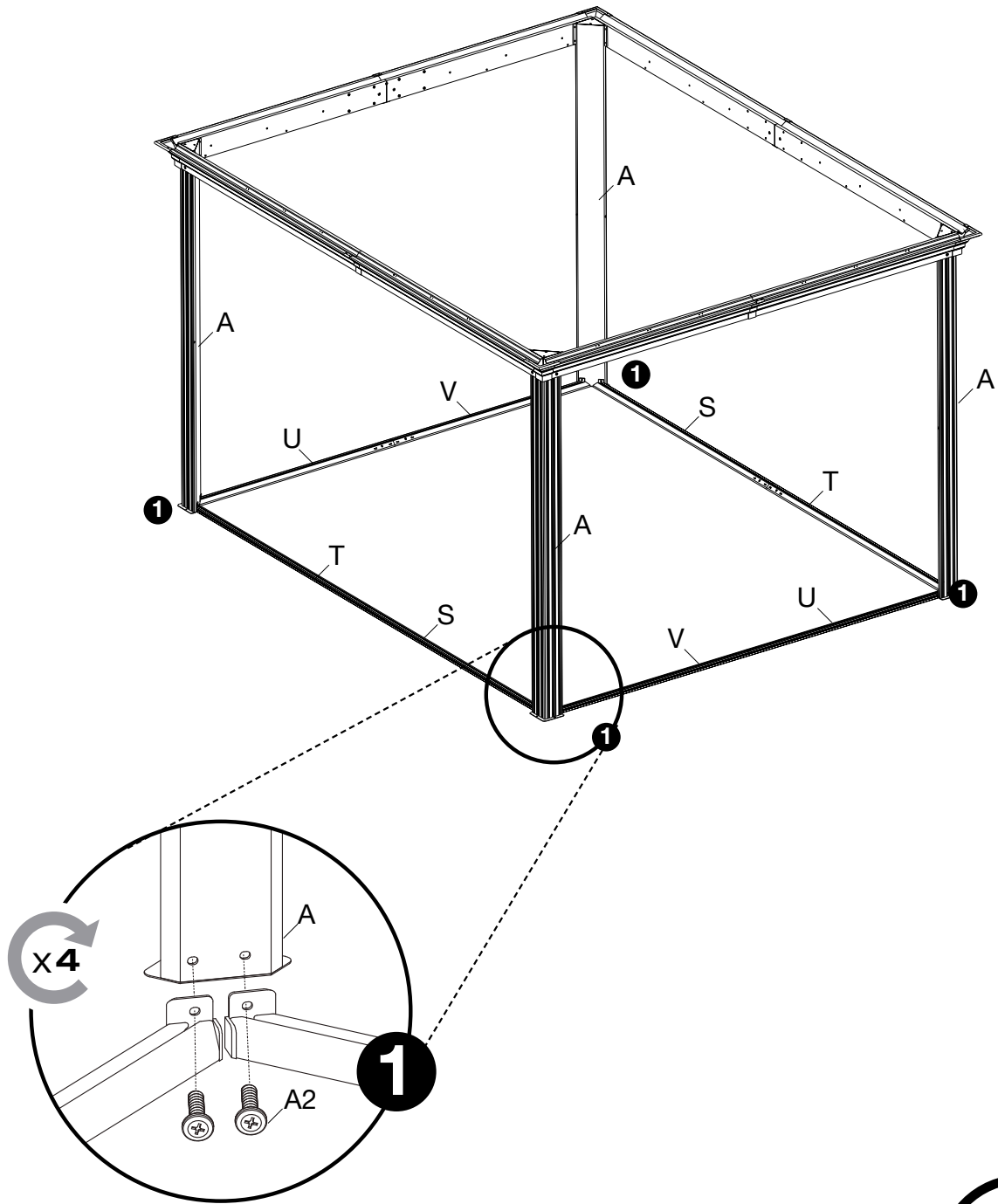




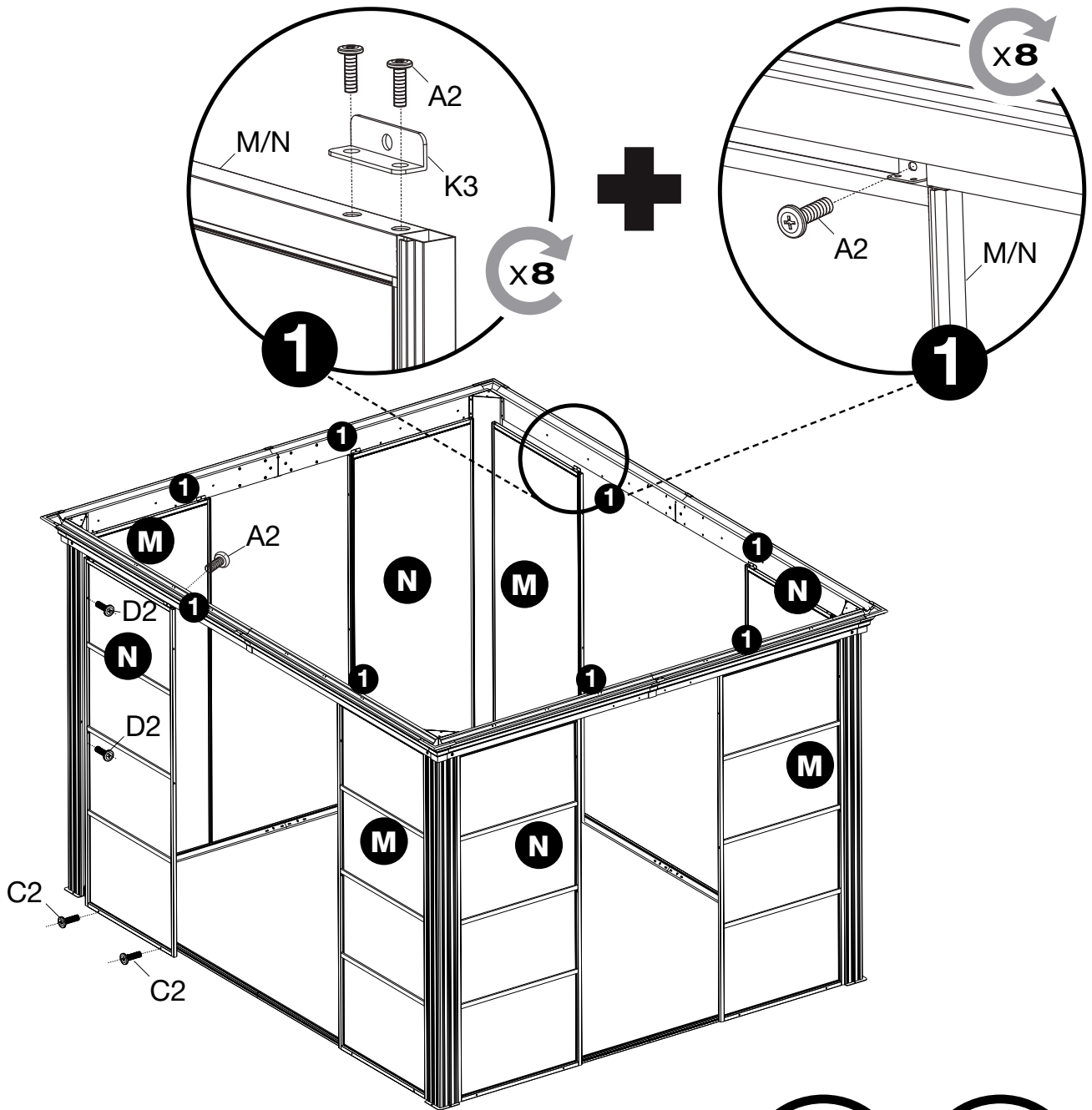
This section contains the parts list and a tool icon. From left to right, the items are:

- A clip labeled **R1x4**.
- A clip labeled **S1x4**.
- A screw labeled **F2x24**.
- A screw labeled **A2x4**.
- A circular icon containing a screwdriver tip.

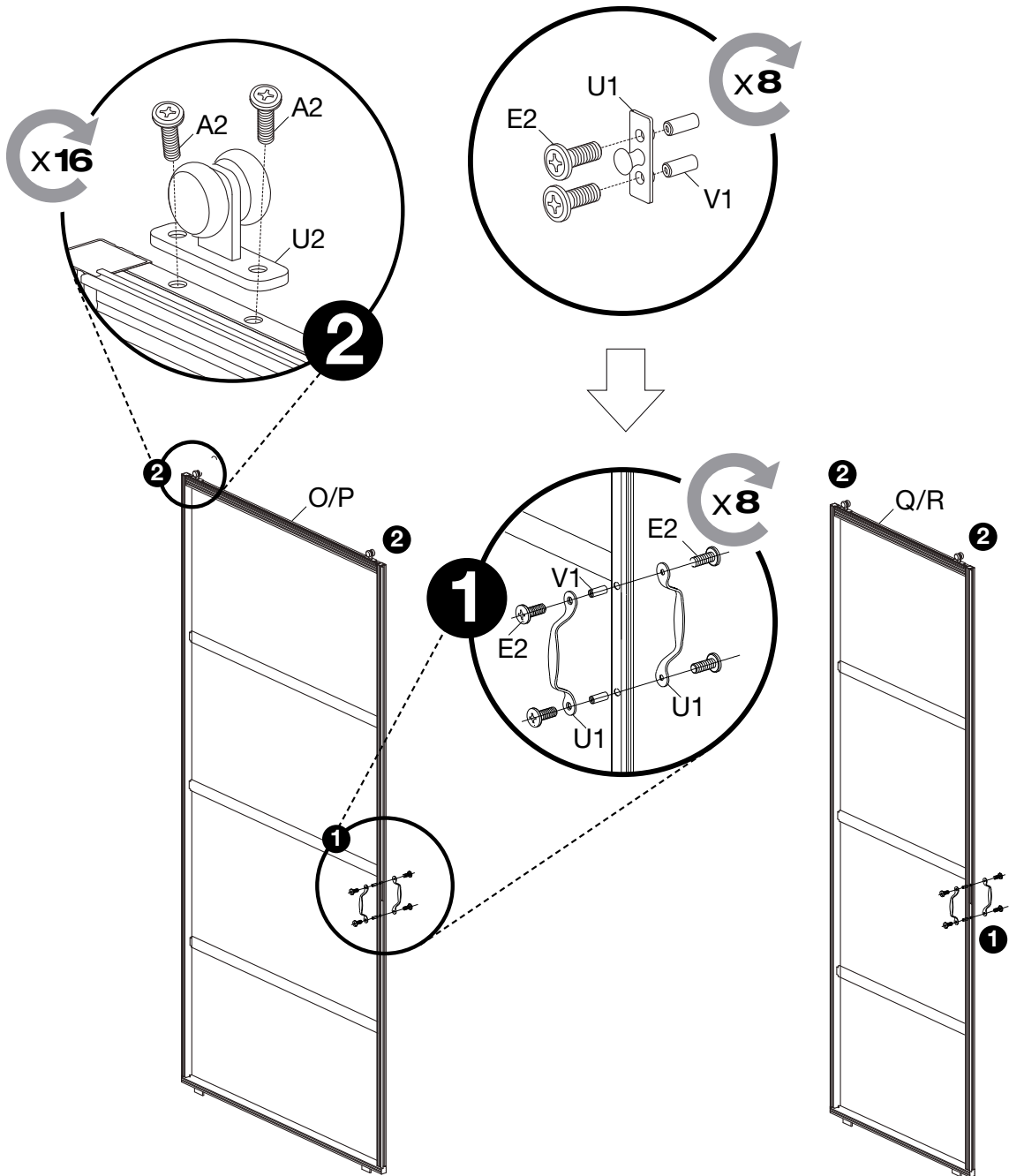




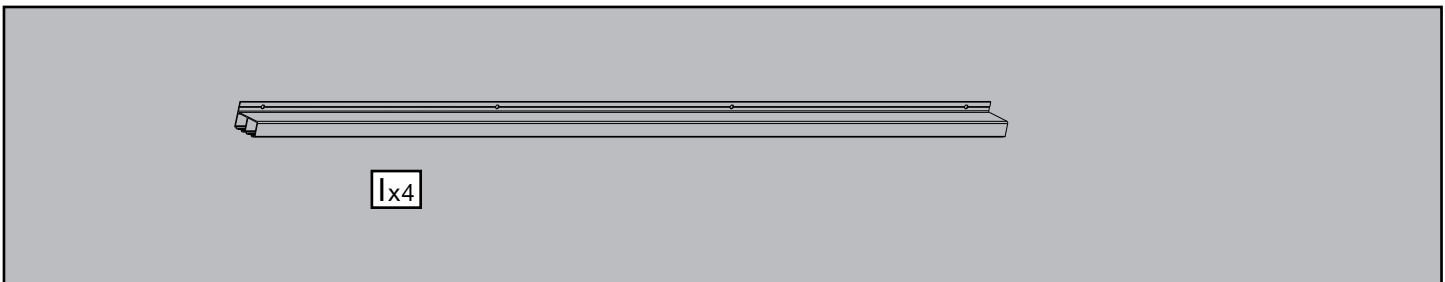
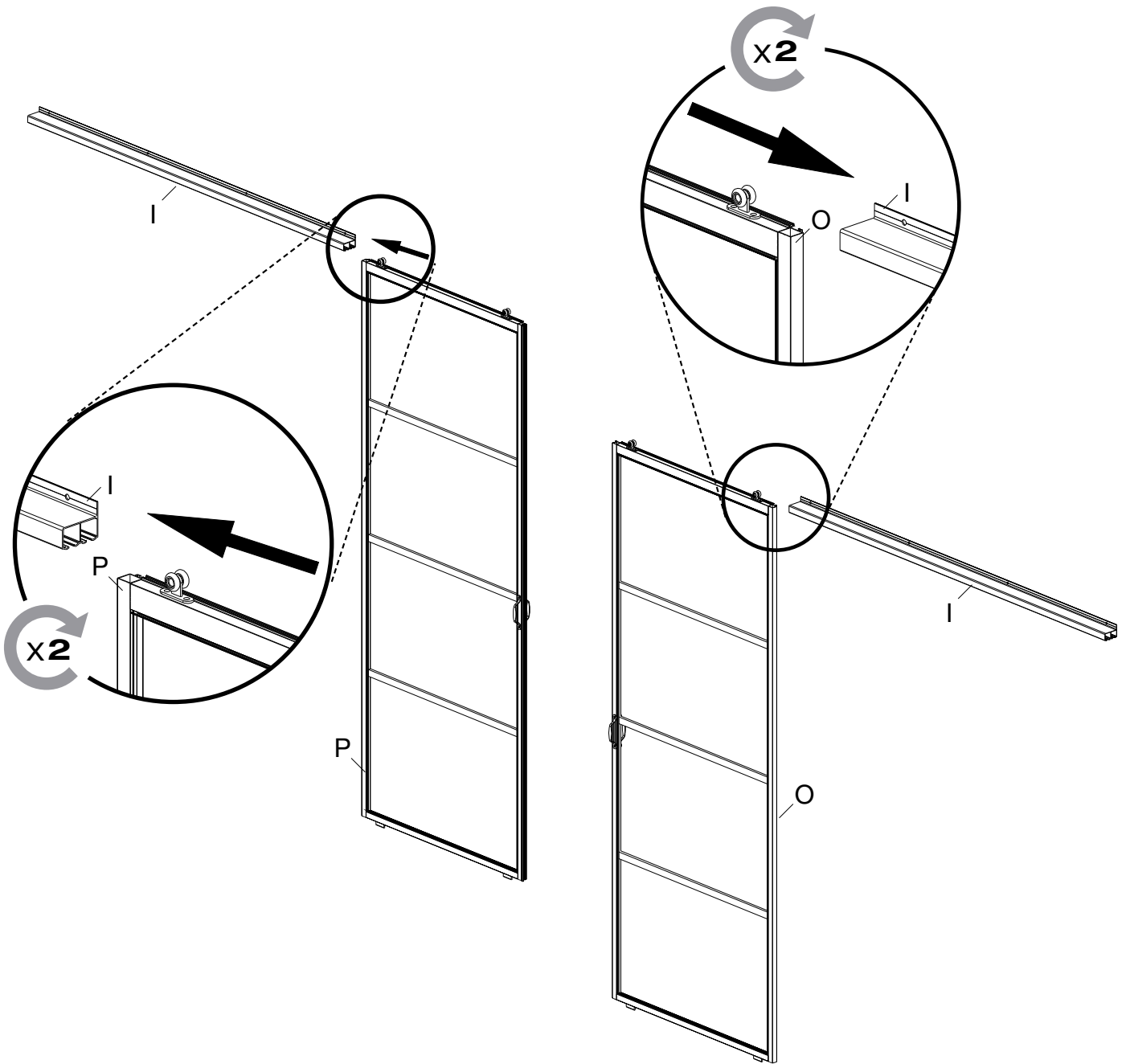
A2x8

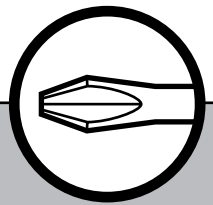
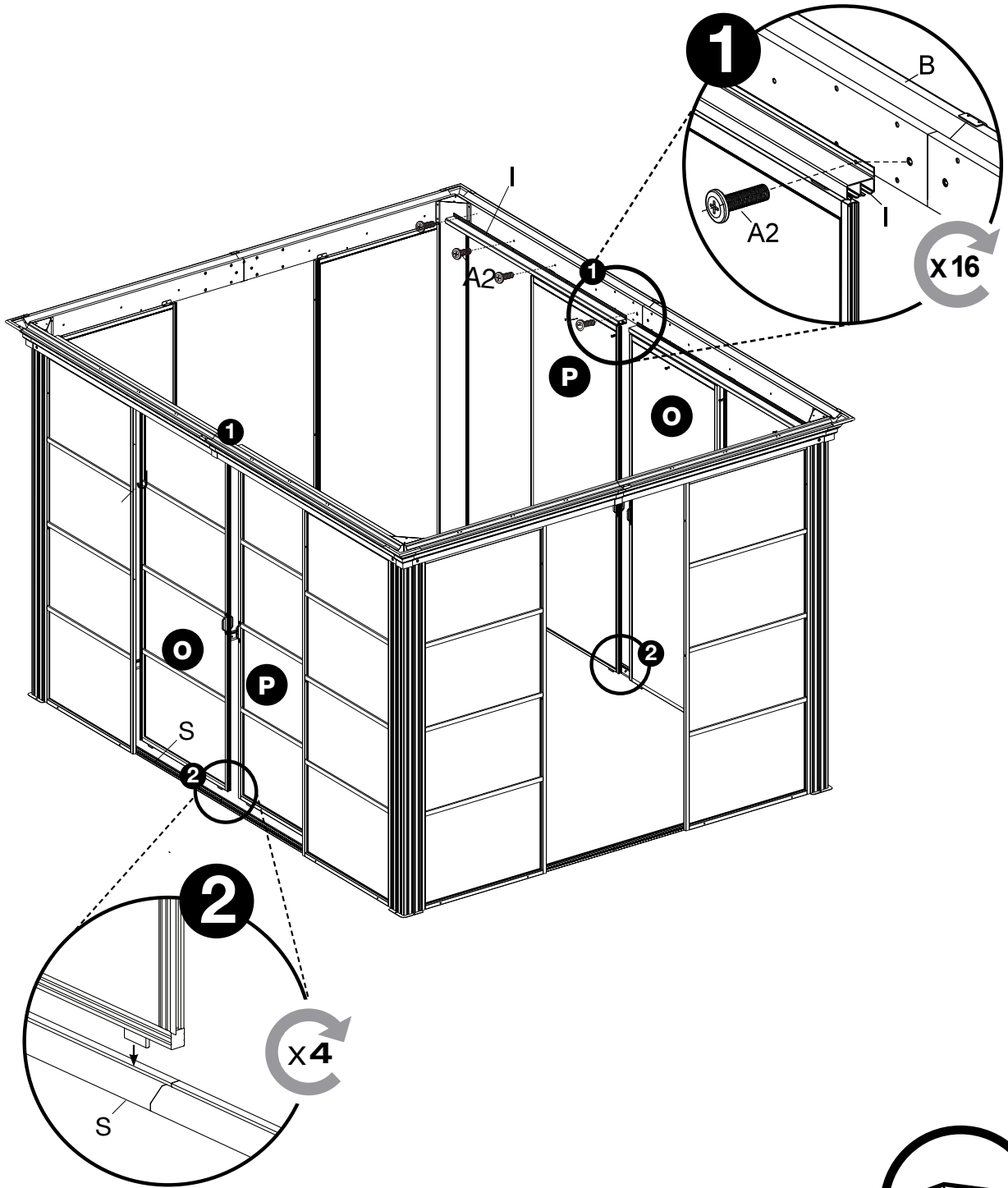


This section contains a parts list and tool icons. On the left, there are two vertical panels labeled Mx4 and Nx4. In the center, there are three screws: A2x24, D2x16, and C2x16. On the right, there is a bracket labeled K3x8. Below the parts list, there are two circular icons: one showing a power drill and the other showing a pair of pliers.

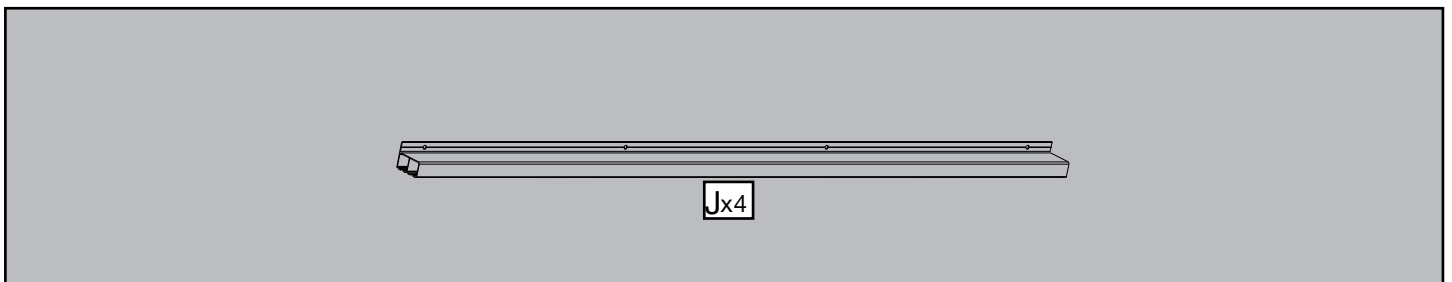
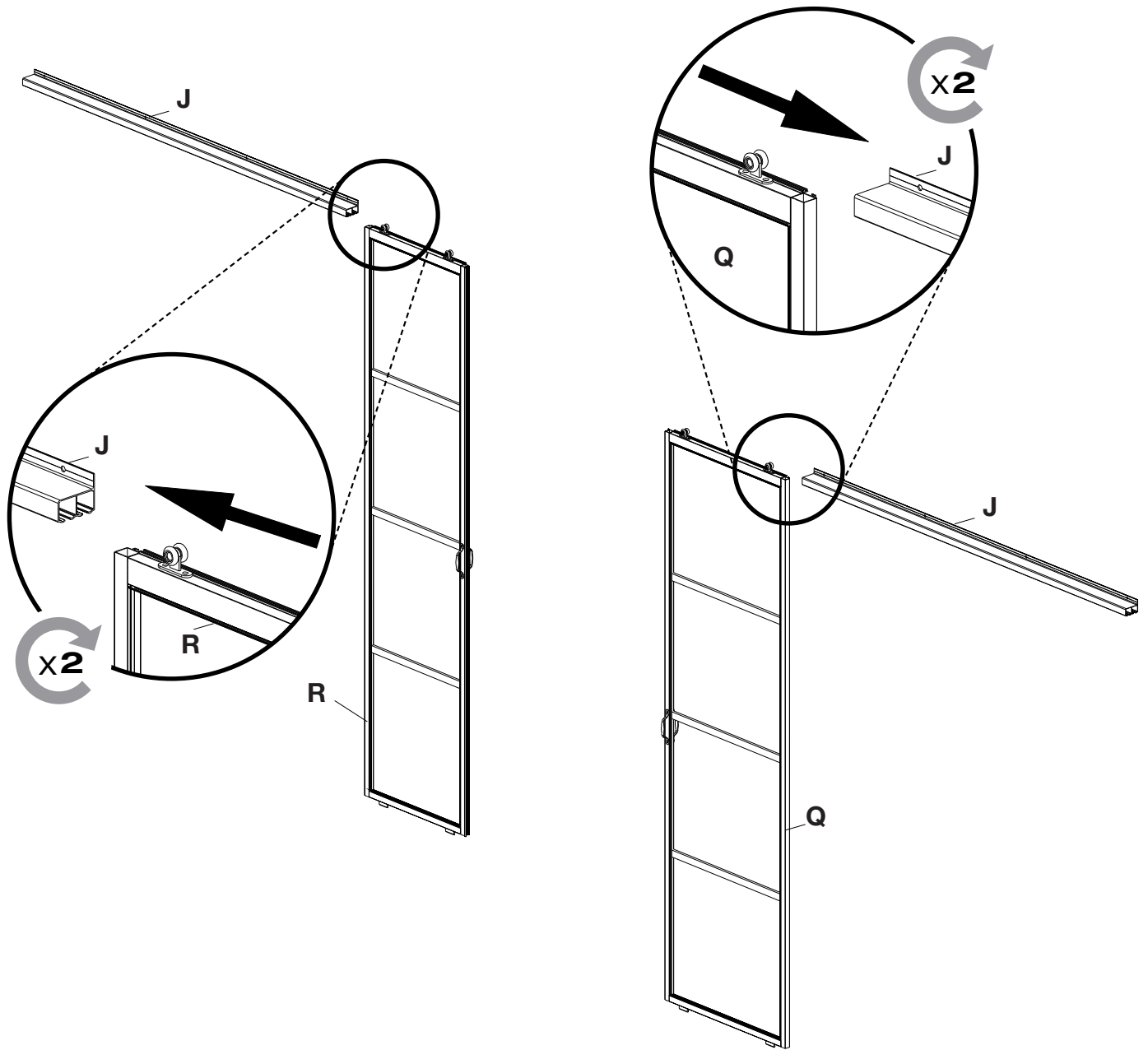


	Ox2		Px2		Qx2		Rx2		A2x32		V1x16		U2x16		E2x32		U1x16		
--	-----	--	-----	--	-----	--	-----	--	-------	--	-------	--	-------	--	-------	--	-------	--	--

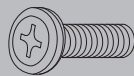
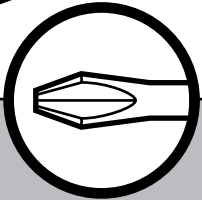
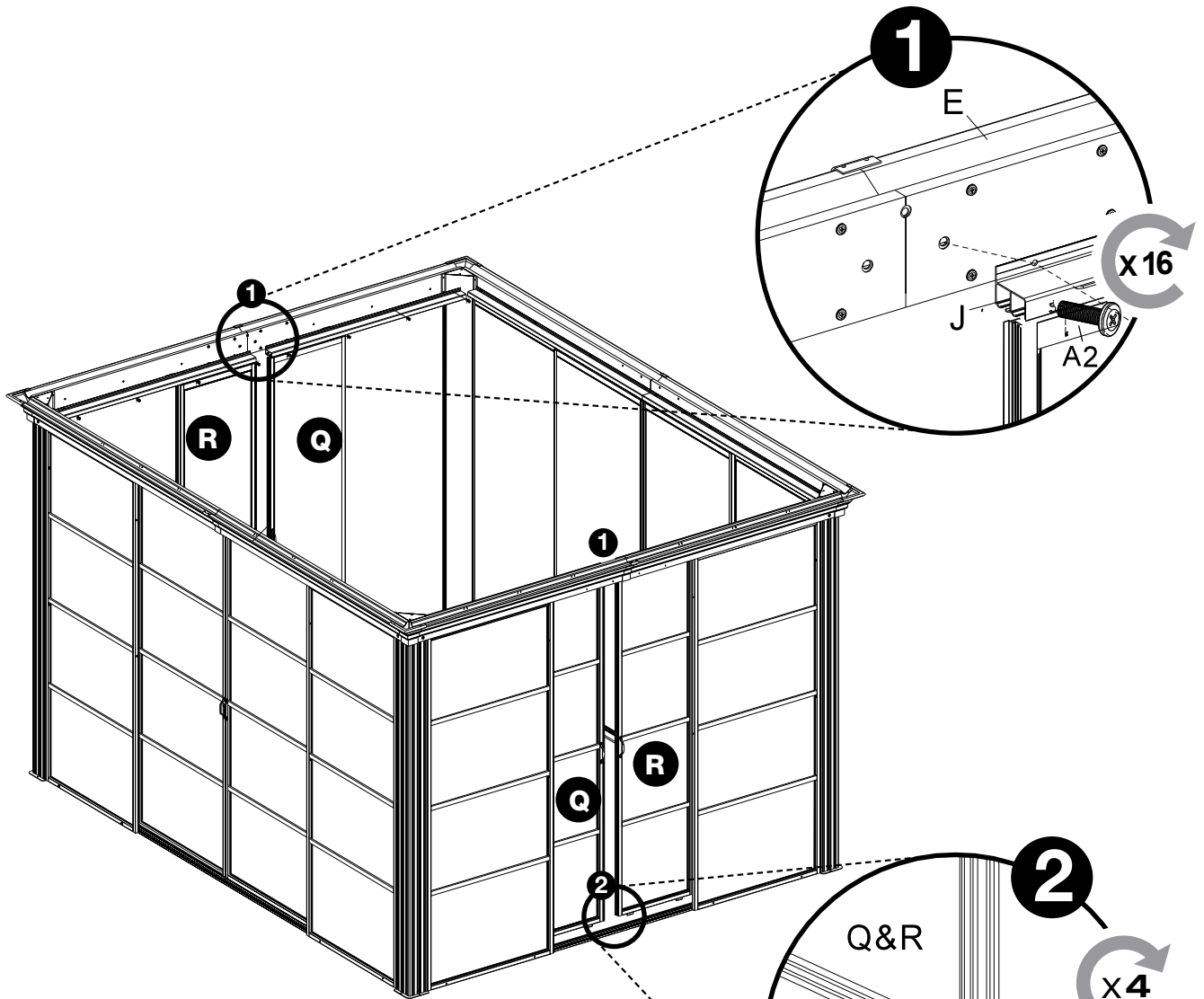




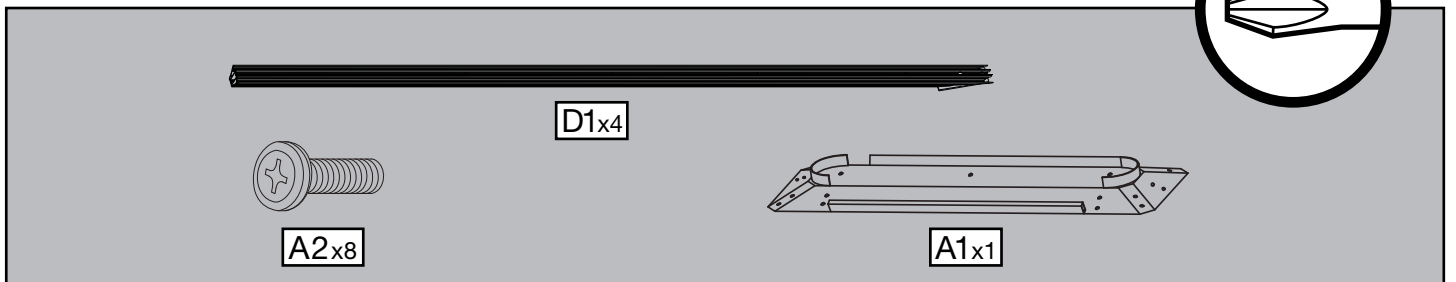
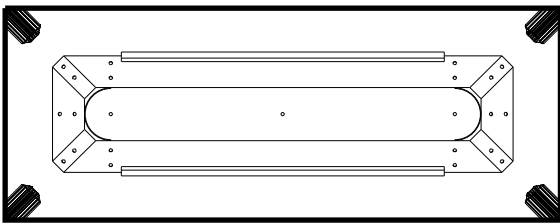
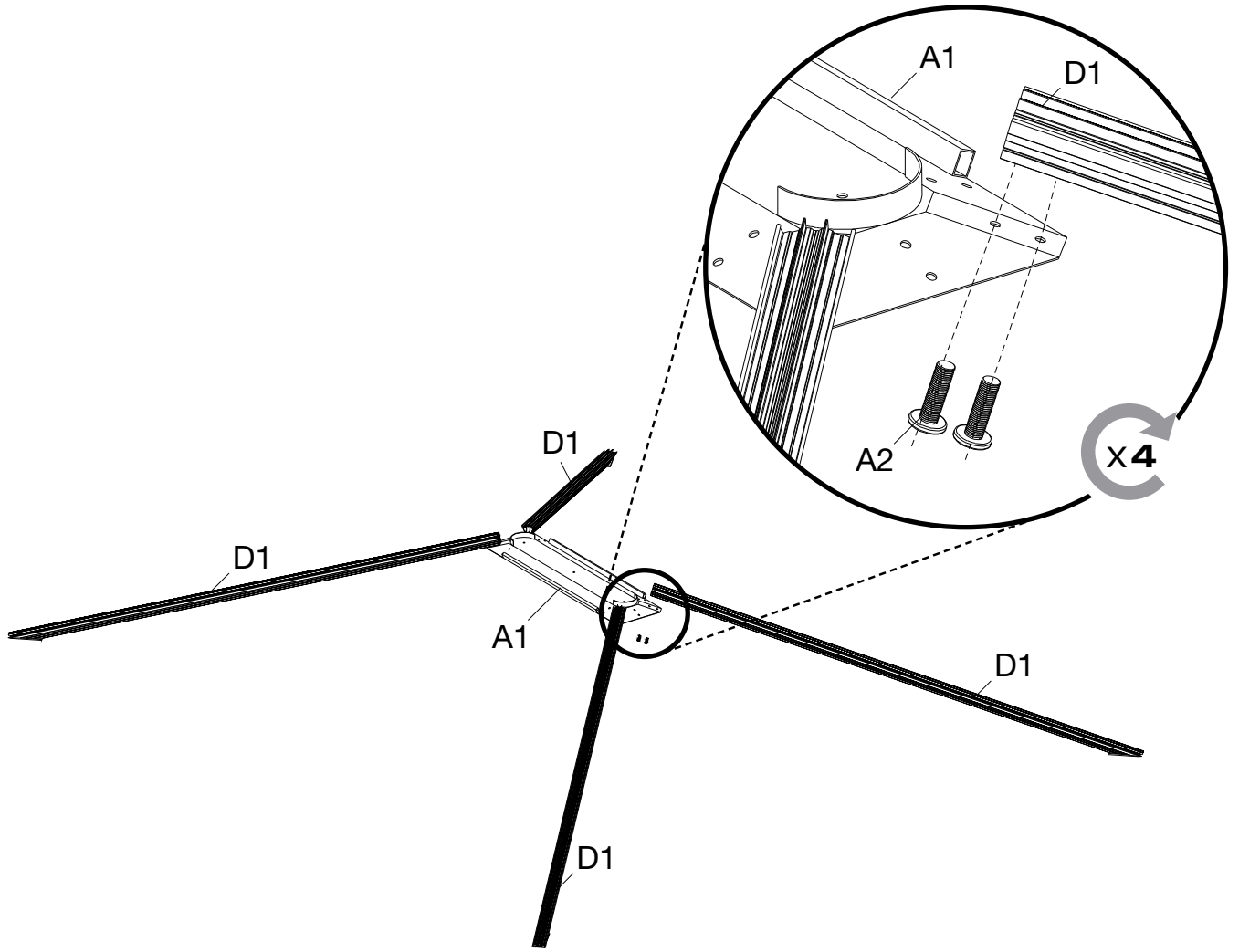
A2x16

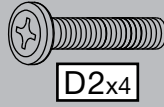
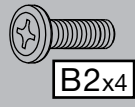
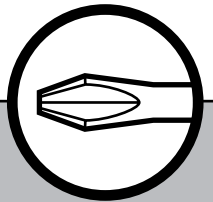
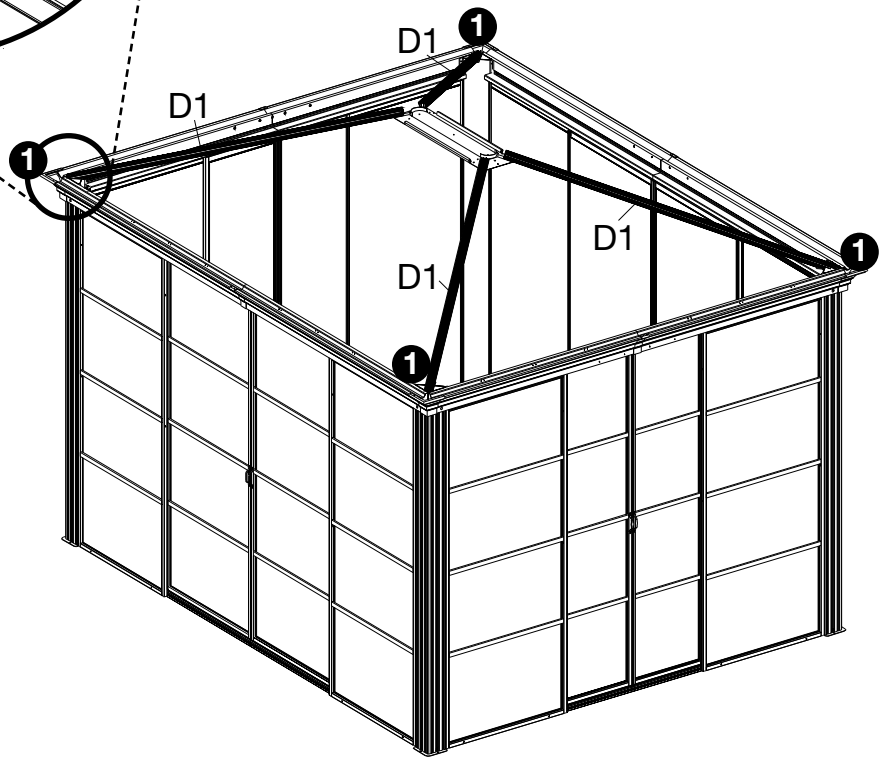
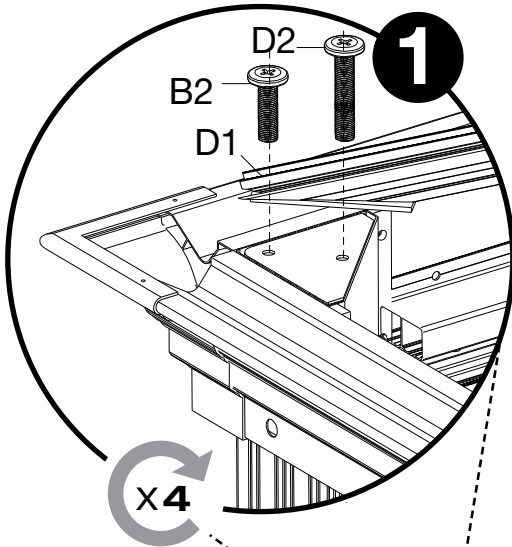


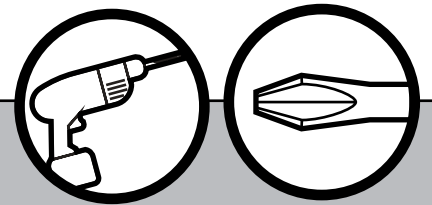
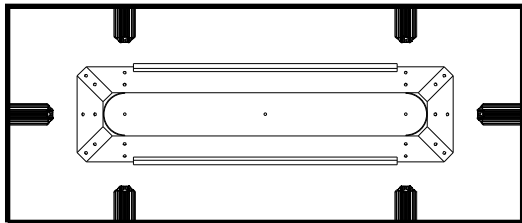
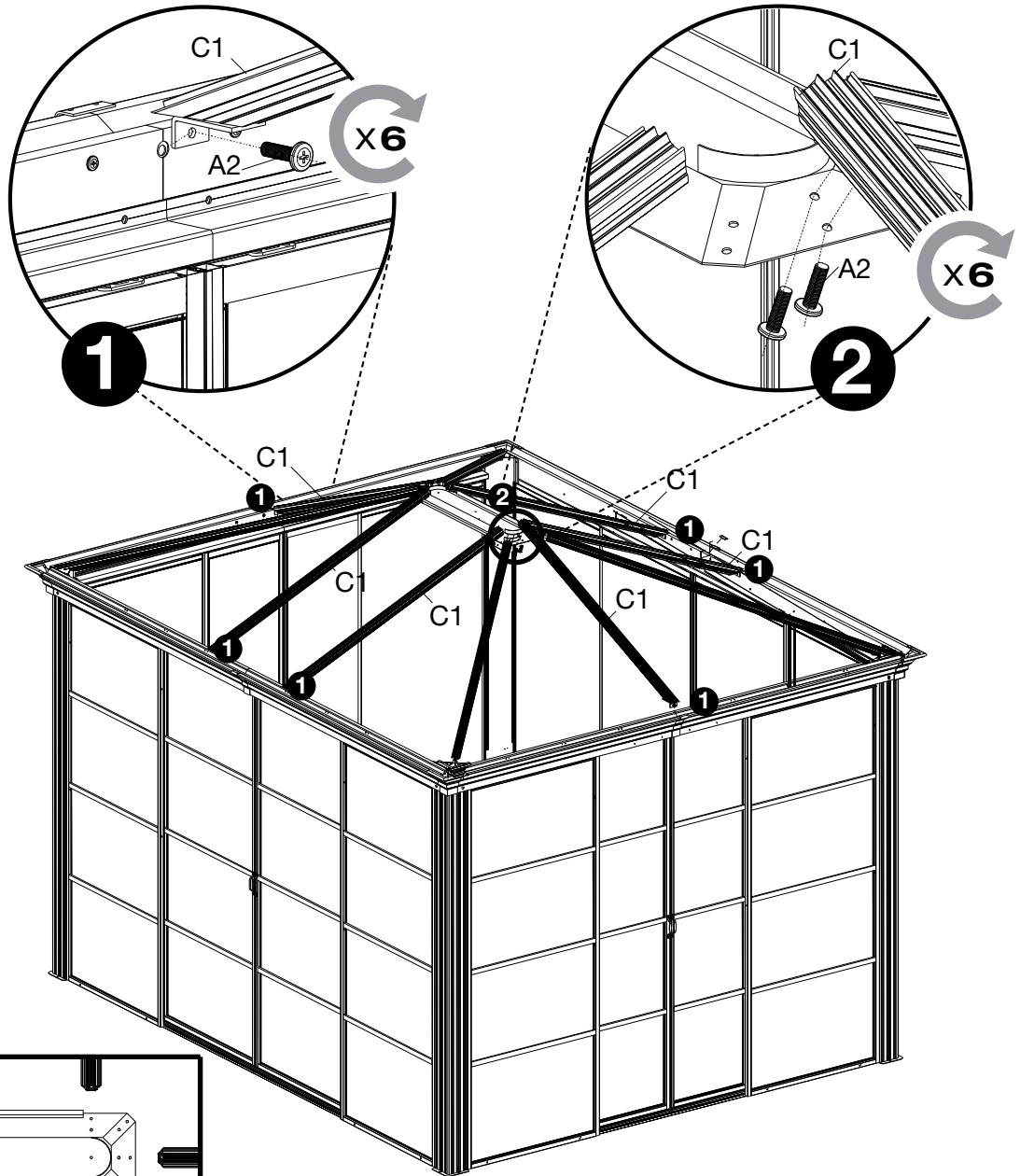




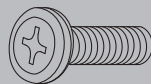
A2x16



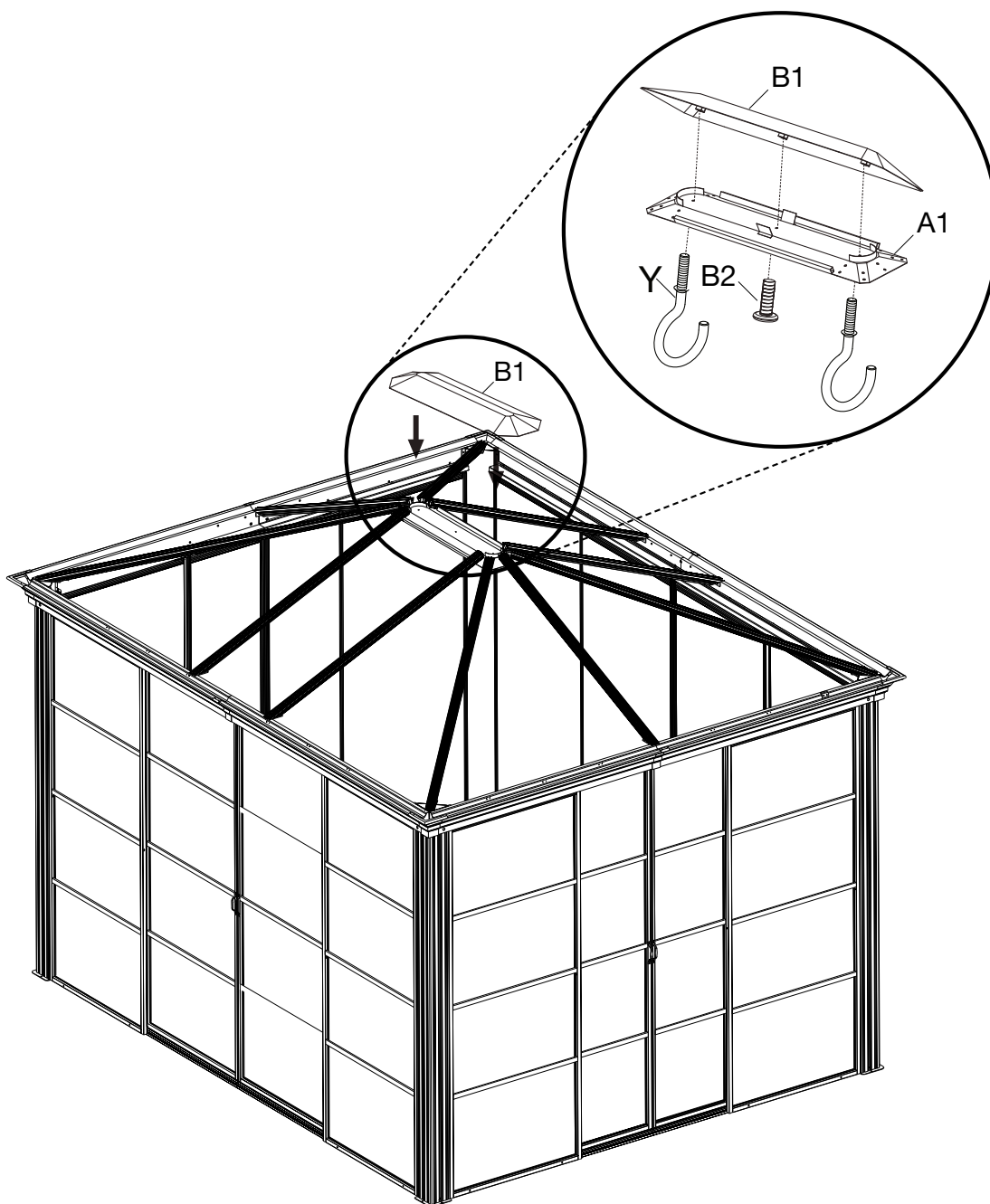




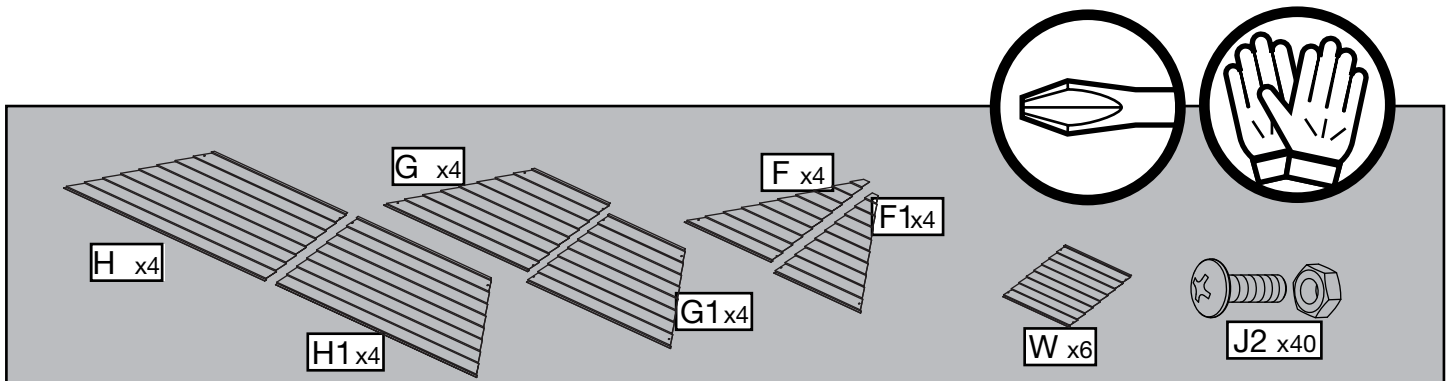
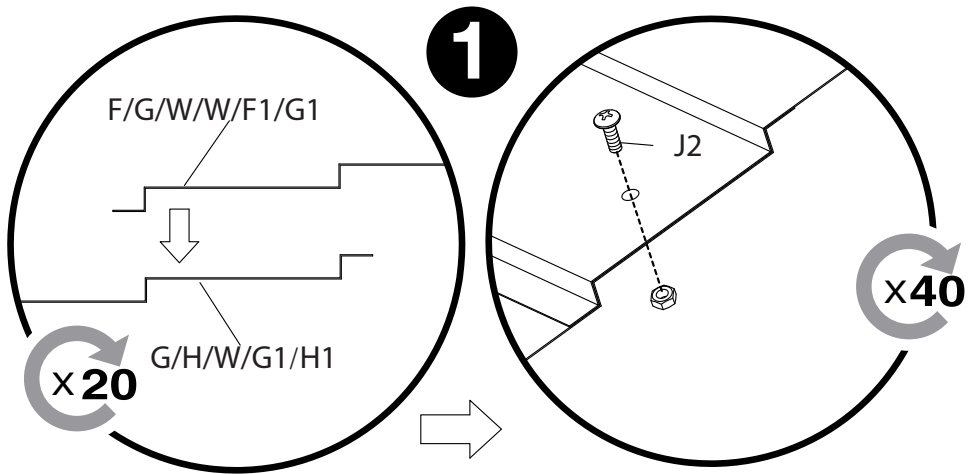
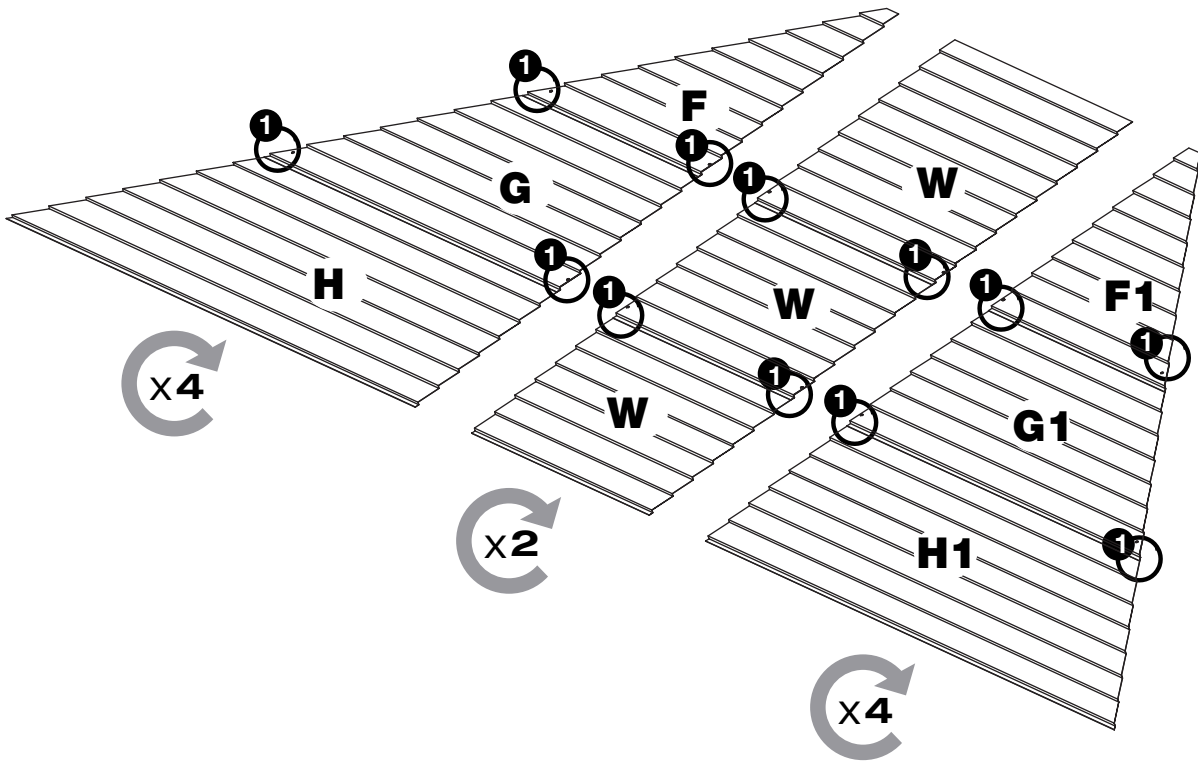
C1 x6

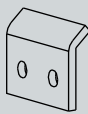
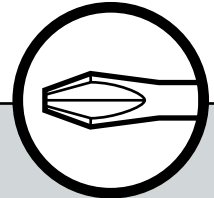
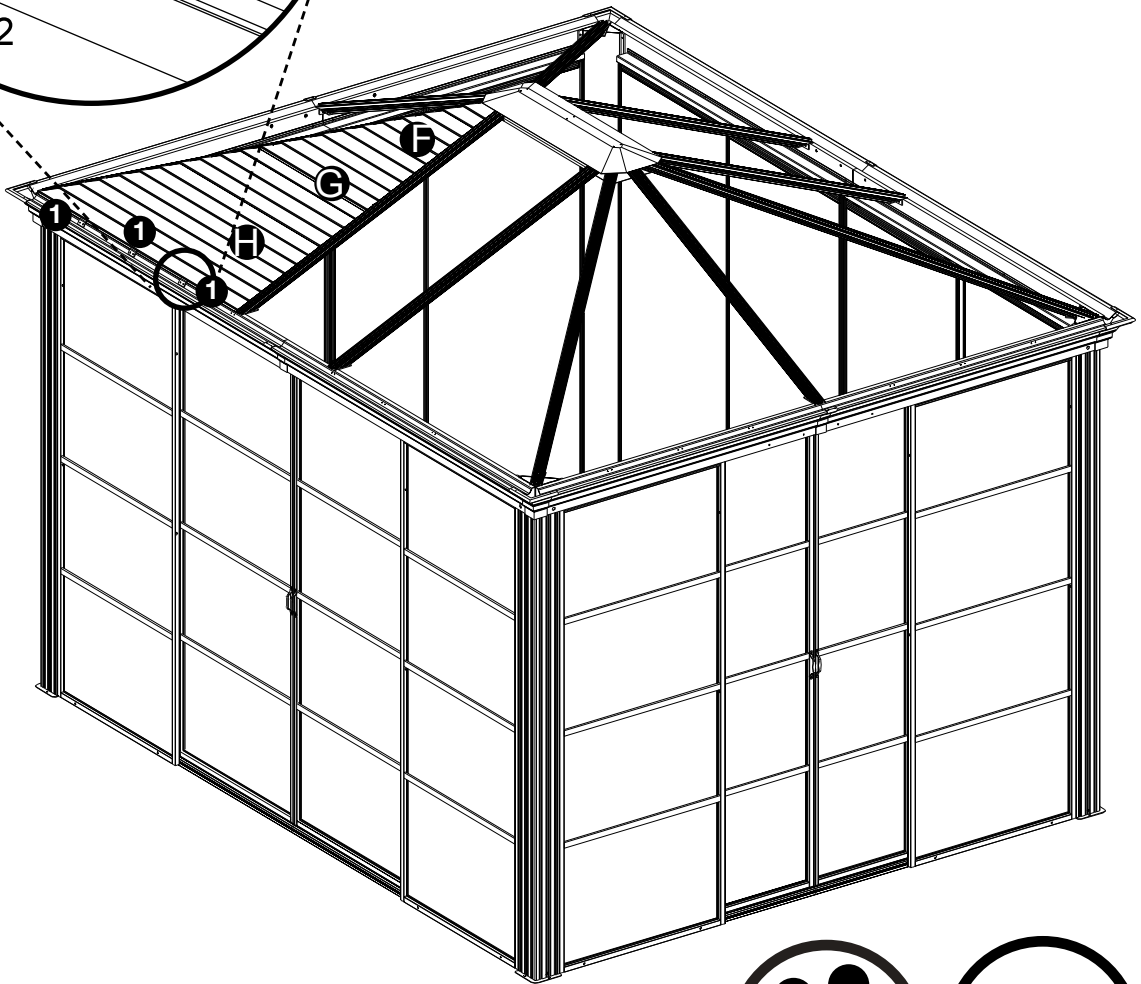
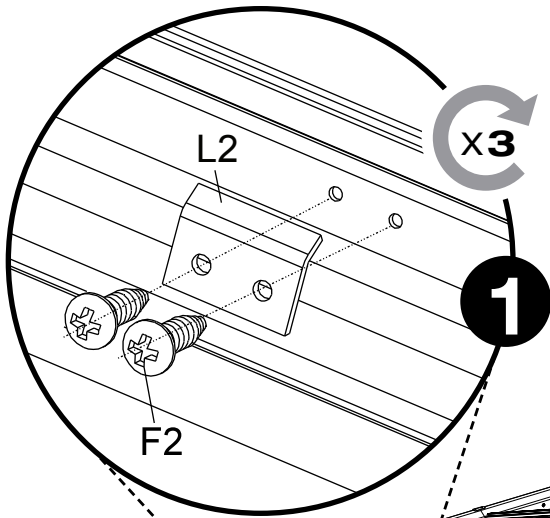


A2 x18

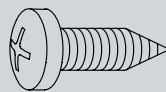


This section contains a parts list and safety icons. On the left, a perspective drawing of a roof panel is labeled **B1x1**. In the center, a screw is labeled **B2x1**. On the right, a hook is labeled **Yx2**. To the right of the parts list are two circular icons: the first shows a hand with a diagonal line through it, indicating that no force should be applied; the second shows a pair of pliers, indicating that pliers should be used for the assembly.

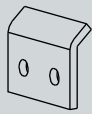
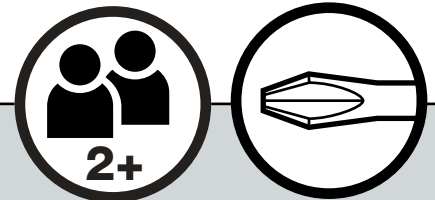
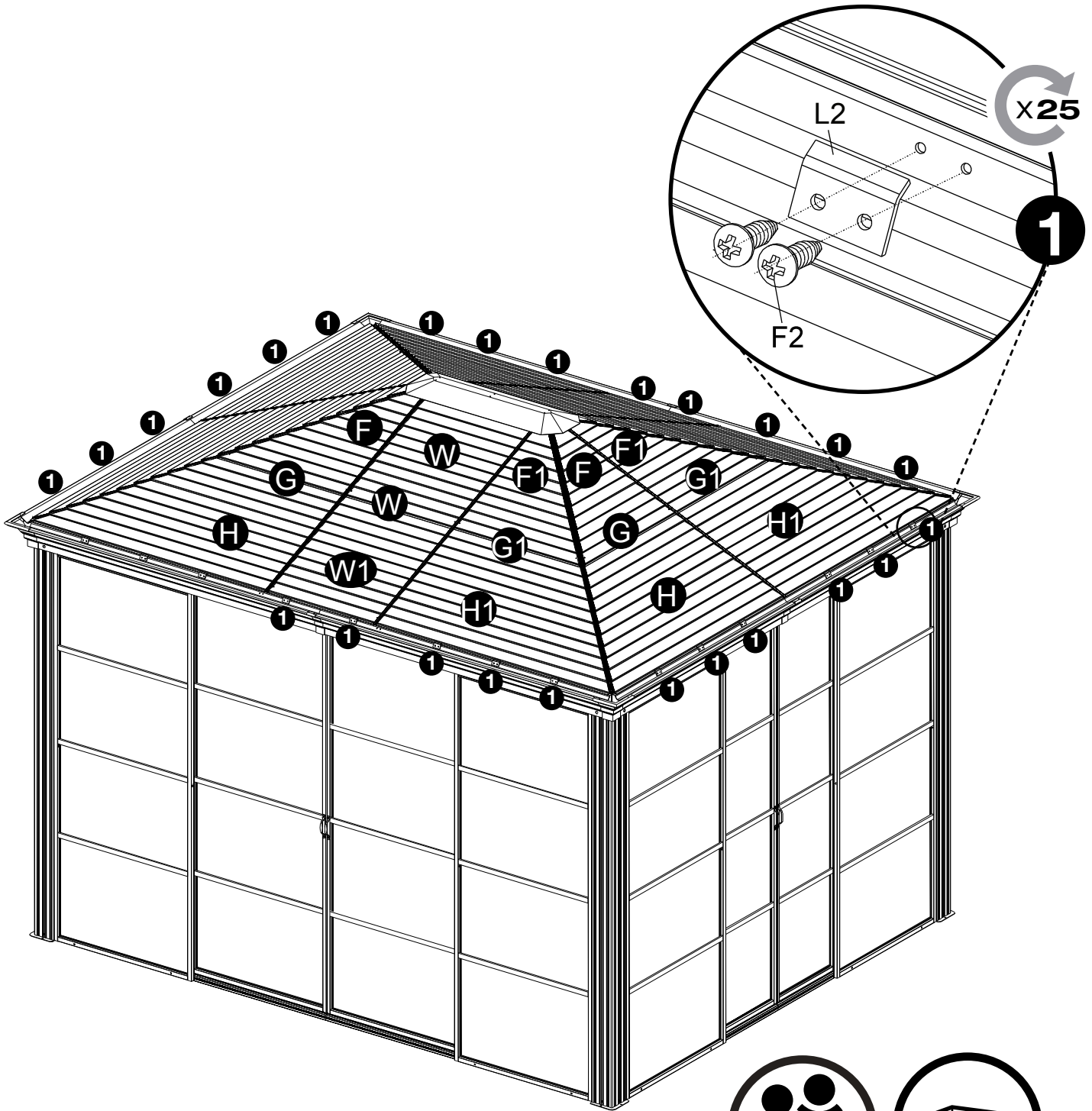




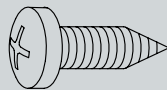
L2x3



F2x6

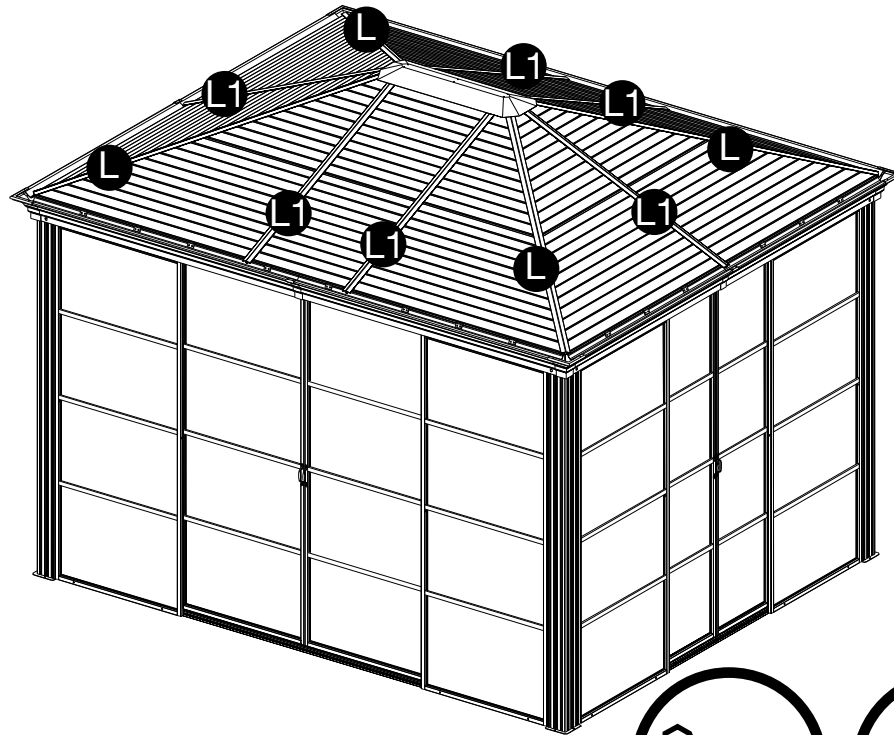
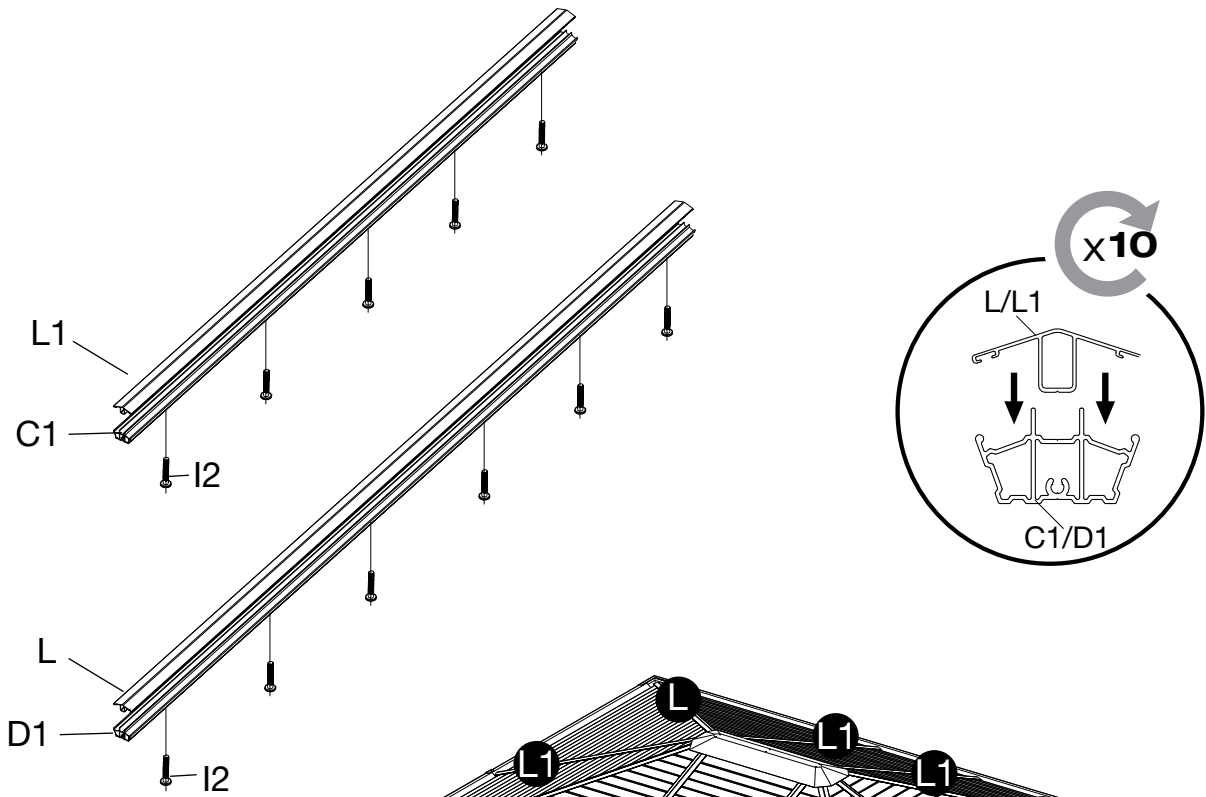


L2 x25



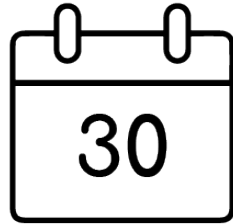
F2 x50







**Register • Enregistrer • Regístrate  
가리키다 • Registrieren**



**[ShelterLogic.com/product-registration](https://ShelterLogic.com/product-registration)**

**SOJAG ■ I**