

ZLINE

TRIM KIT

Installation Guide



ZLINE

Designed in
LAKE TAHOE, USA

ATTAINABLE LUXURY®

ZLINE Kitchen and Bath provides Attainable Luxury, where the kitchen and bath of your dreams is never out of reach. Through our unique designs and unparalleled quality, we're dedicated to providing you an elevated experience in the heart of your home. With an endless selection of features and finishes, our inspiration is your reality.

ZLINE is fueled by a passion for innovation; A relentless pursuit of bringing the highest end luxury designs and professional features into everyone's homes. Because we continually strive to improve our products, we may change specifications and designs without prior notice.

⚠️ **WARNING:** This product can expose you to chemicals including nickel, which is known to the State of California to cause cancer. For more information, go to www.P65Warnings.ca.gov.

TABLE OF CONTENTS

BEFORE INSTALLATION	1
INSTALLATION	2

BEFORE INSTALLATION

TOOLS NEEDED:

- Air screwdriver
- Marker

TOOLS INCLUDED:



Support beam



Front bracket



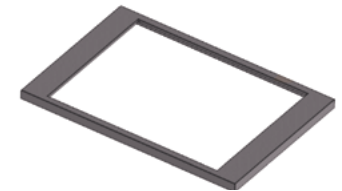
Rear bracket



Buckle seat



Buckle



Trim kit



#1 Screw



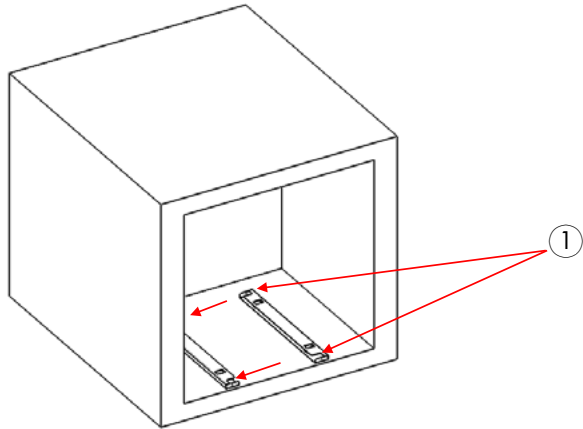
#2 Screw



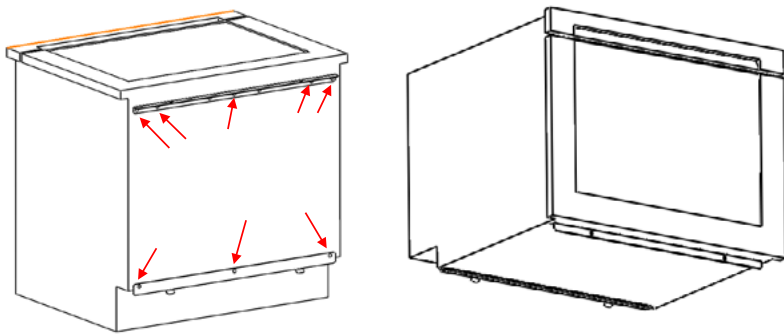
#3 Screw

INSTALLATION

1. Install the support beams using the holes in the front bracket as a guide. Use the #1 screw.

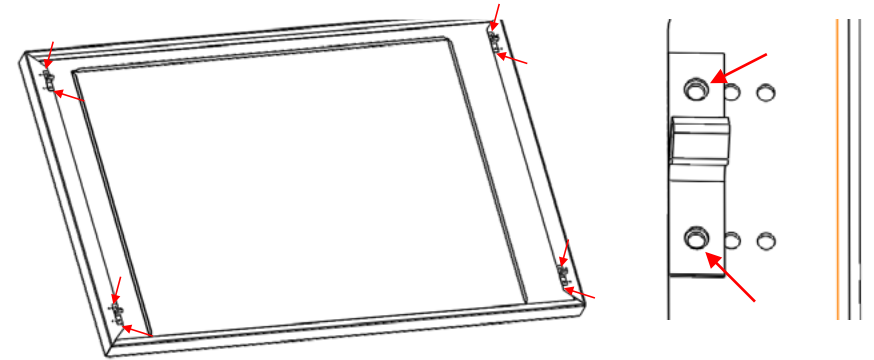


2. Remove the screws holding the microwave in place in order to install the front bracket and rear bracket.

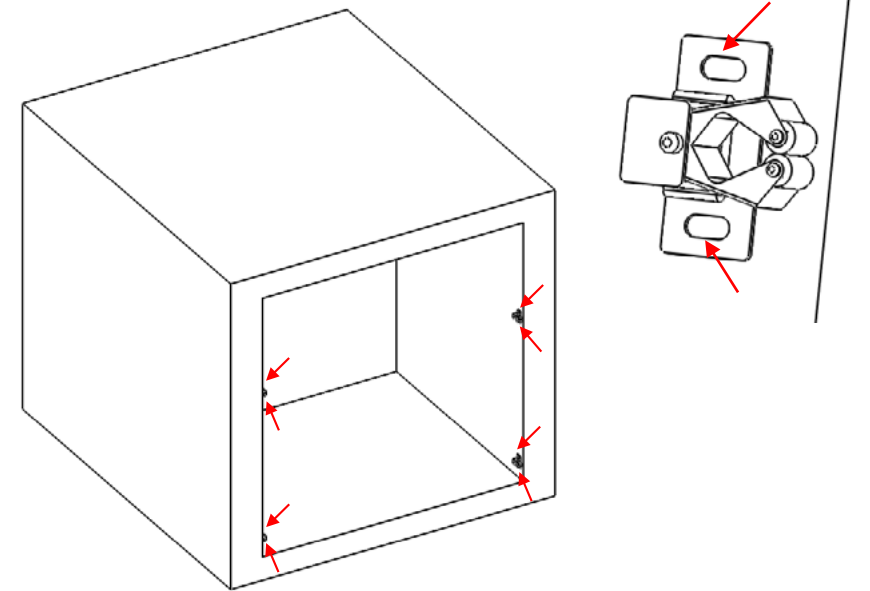


INSTALLATION

3. Use #2 screws to install the four buckles on the corresponding mounting holes around the trim kit.

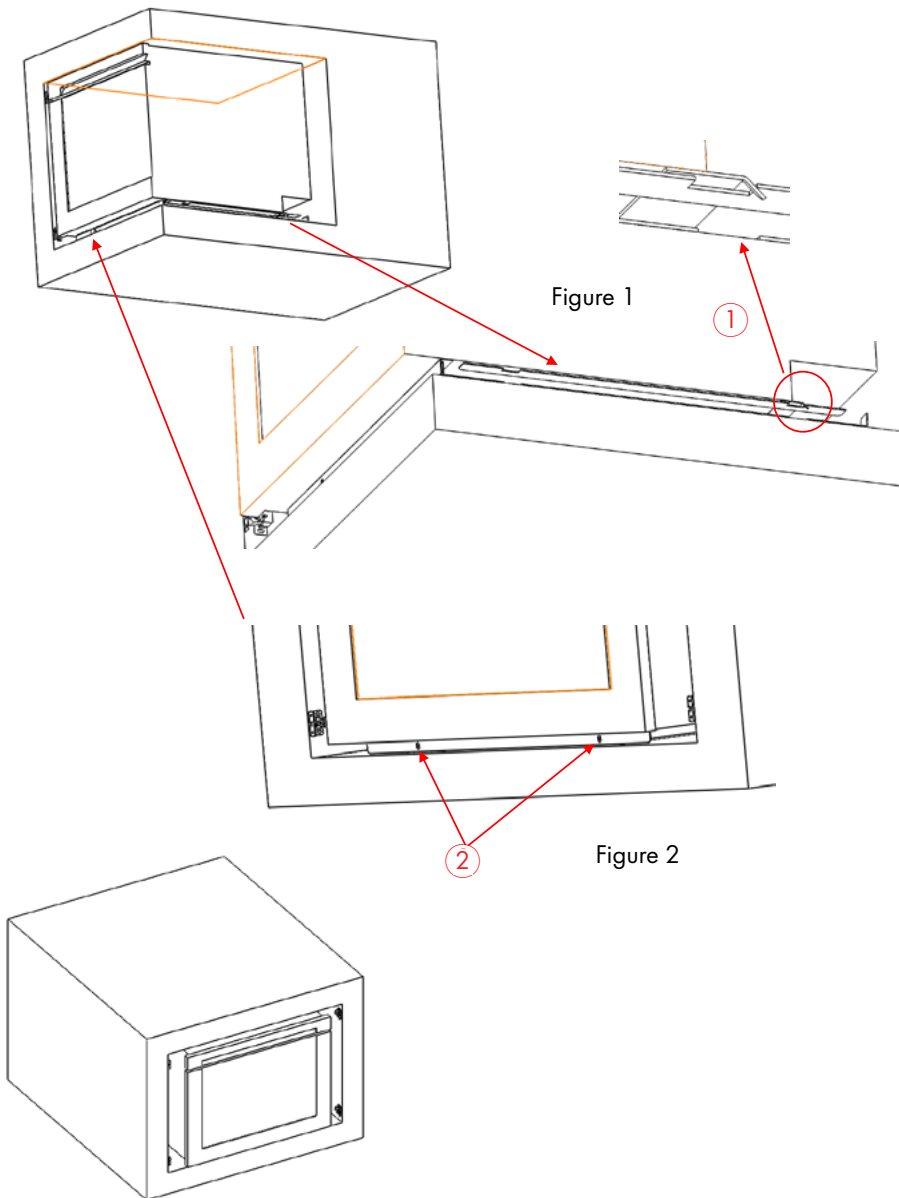


4. Line up the trim kit with the buckle seats.



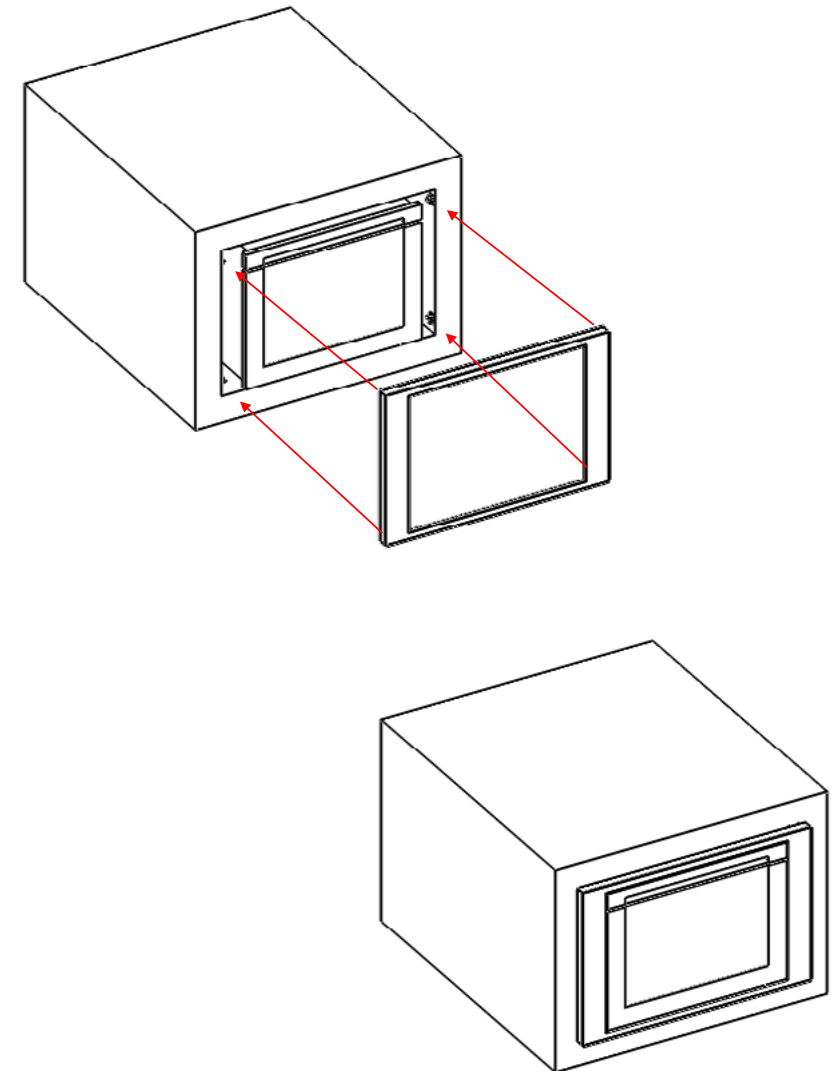
INSTALLATION

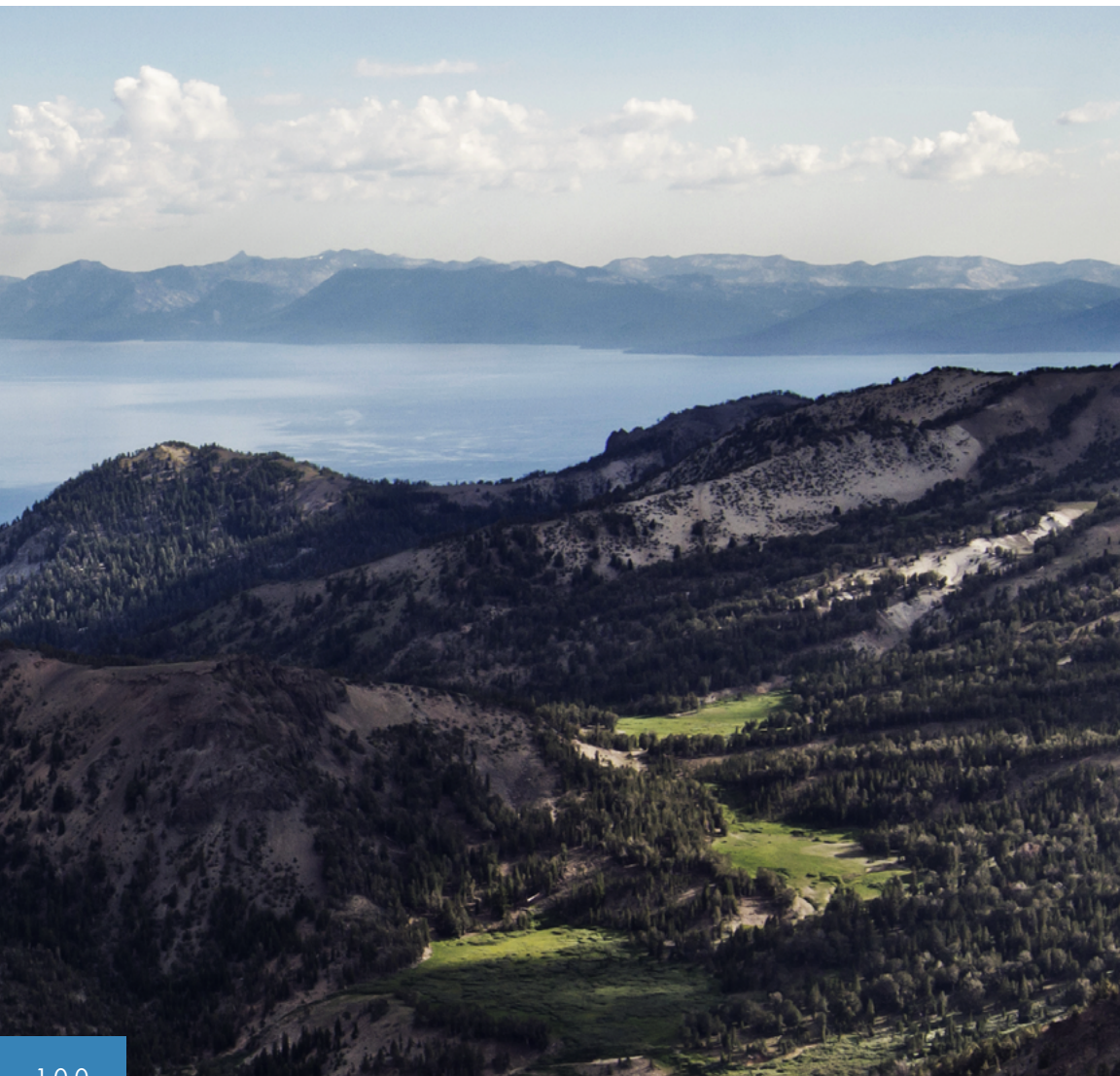
5. Push the microwave into the slot in the rear bracket by extending the support beam (Figure 1).
6. Use screw #3 to fix the front bracket and support beam (Figure 2).



INSTALLATION

7. Insert the trim kit into the corresponding buckle seat.





1.0.0



ATTAINABLE **LUXURY**[®]

www.zlinekitchen.com
1-614-777-5004