

# AKD4807

## 48" Culinary Series Professional Gas Range & Electrical Dual Fuel Range

- Versatile German tower burners (high power or low simmer)
- Large 7.2-cu. ft. capacity convection oven with blue porcelain interior
- Durable, high-grade LED illuminated knobs
- Heavy-duty continuous grates and griddle
- Equipped with adjustable, full-extension glide racks



Oven Properties and Features	
Oven Capacity	2.7-cu. ft. (small)/4.5-cu. ft. (large)
Cooking Modes (Large)	Bake, Convection, Broil
Cooking Modes (Small)	Bake
Cleaning Type	Manual
Oven Bake	Incoloy Element
Bake Power	1,500W (Small) / 2,800W (Large)
Broiler Power	2,400W (Small) / 3,500W (Large)
Adjustable Full Extension Glide Racks	2
Interior Material	Blue Porcelain
Convection	True European

Cooktop Properties and Features	
Cooking Grates	Cast Iron, Continuous
Total Number of Sealed Burners	6 Dual Power
Drip Pan	Black Porcelain
Knobs	Stainless Steel, LED
Front Left Burner Power	18,000 BTU/650 BTU
Front Center Burner Power	9,000 BTU/650 BTU
Front Right Burner Power	18,000 BTU/650 BTU
Rear Left Burner Power	9,000 BTU/650 BTU
Rear Center Burner Power	18,000 BTU/650 BTU
Rear Right Burner Power	9,000 BTU/650 BTU
Griddle Burner Power	18,000 BTU

Additional Information	
Warranty	2 Year, Parts & Labor
Included Accessories	Broiler Pan
Available Accessories	Additional Racks / Broiler Pans



**Large Capacity Oven with Blue Interior**

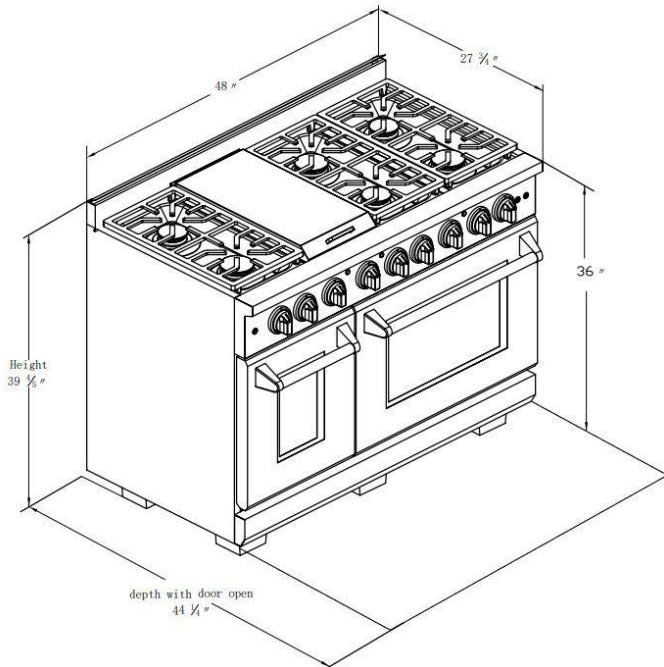


**Incoloy Element**



**Ultra Low Simmer and High Power Dual Burners**

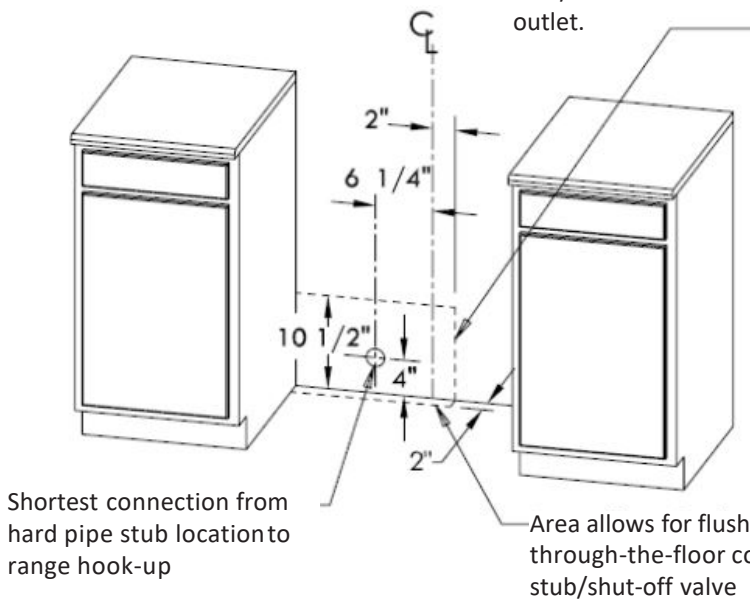
## Overall Dimensions



## Technical Details

Overall Dimensions	28"D x 48"W x 40"H
Adjustable Range Height	7/8"
Net Weight	529 lbs.
Backguard Height	4"
Amps/Volts/Freq	50A/240V/60Hz
Plug Type/Cord Length	4 Prong/60"
Gas Type	Natural Gas (15 mbar)

## Hook Up Requirements



## Hood Install Guides

