

CATALOG

2021



NOVA
DOORS
HARDWARE

OPENING THE DOORS OF QUALITY FOR A PRICE YOU CAN AFFORD

WWW.NOVADOORSANDHARDWARE.COM



Italia Series	04
Italia Flush Series	06
Italia Vetro Series	10
Triplex Series	14
Stile Series	18
Glam Series	22
Altima Series	24
Domino Series	26
Laminated Series	28
Inox Series Entry Doors	32
Sliding & Bi-Fold Series	34
Hardware	42
Door Construction Info	44
Installation Info	48



ABOUT US

Opening the doors of quality for a price you can afford.

Nova Doors and Hardware was established in 2007. Starting in a small, 300-square foot showroom, we have grown into a multinational operation through our values of offering excellent products and superior, personalized customer service. Manufacturing mainly in the United States with supplemental facilities in Europe and Asia, we couple genuine innovation with value to offer a sought-after catalog of entry solutions. Headquartered in the heart of New Jersey, our extensive line is offered in most locales in the nation and throughout Canada.

As a manufacturer, we extend a higher level of service to our customers through bespoke designs, customized sizing, and infinite pre-hung services. Driven to provide positive customer experience and value, each product undergoes scrutiny in two phases: before packaging and again before shipment, ensuring the delivery of quality merchandise.

Nova Doors and Hardware is driven by a customer-centric model. We strive to offer the market top-quality product that is paired with like service. Our confidence that we do just that is underlined by industry-leading three-year interior door warranties and our lifetime promise that is given with each piece of door hardware you purchase.

It is for these reasons the NOVA reputation is envied industry-wide. This reputation is mirrored by our incredible distribution network and is why our brand enjoys high demand by leading home improvement retailers.

It's nice to meet you.

Italia Series Interior Doors

The Italia Interior Door Series offers class and quality in both design and function, with its rich colors and slim, vertical glass insert. Made in Europe and proudly designed and assembled in the USA, its Premium Smart Core construction and PPL finish offer durability and substantial sound dampening benefits. The Italia Series is available in 6 standard widths (18", 24", 28", 30", 32" and 36") and 3 heights (80", 84" and 96").

Available in five luxurious colors, interchangeable glass, optional aluminum edging, myriad design options, and a 5-Year Warranty, making the Italia Series a Nova best seller.

Technical Specifications

Available Colors	Prestige Brown, Light Gray, Swiss Elm, Alaskan White, Premium Wenge
Finish	PPL High Endurance (Renolit - Germany)
Door Construction	Solid Pine Wood, Solid Smart Core (Sound Proof Insulation) (see page 44 for details)
Door Slab Height	80, 84 and 96 inches
Door Slab Width (exact)	17-1/4", 23-1/4", 27-1/4", 29-1/4", 31-1/4", 35-1/4"
Door Thickness	1-3/4 inches (45mm)
Door Slab Weight	Medium Size - 70 Pounds
Jamb Width	Telescopic 4" - 5-1/2" X 86" and 100" (extension available for over 5-1/2")
Door Molding Width	3" - L-Shaped, 86" and 100" Length, 5/8" Thick
Custom Size	Any Width and Height Up to 96 Inches
Custom Color	Over 50 Colors Available for Special Order (Renolit Catalogs)
Sliding Jamb	Flat Jamb 4"-5 1/2" (Bypass/Sliding)+(Extensions Available for over 5 1/2")
Pocket Jamb	3 Split Jamb 1 Flat Jamb (Per Single Door)
Floor Baseboard	4" X 96" X 5/8" All Stock colors Available
Astragal	Double Door Astragal (Covers Gap Between the 2 doors)
2 Sided Panel	3/8" X 36" X 96" For Custom Sliding/Bifold/Pivot closet Doors
Extension	2 1/2" X 5/8" X 86" and 100" (Used For Walls over 5 1/2" Thick)
Stripe Finish	Brushed Anodized, Shine Gold Anodized, Brushed Gold Anodized, Brilliant Anodized, Pre-Painted Matte Black, Pre Painted Brilliant Black
Warranty	Leading 5-Year Warranty

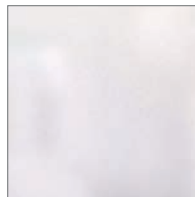
Available Glass Options



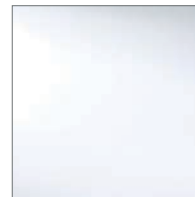
Black



Clear



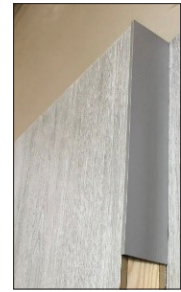
Frosted



White

Features:

- Premium Solid Core Construction
- Five Finish Options: Prestige Brown, Light Gray, Swiss Elm, White, Premium Wenge
- Premium PPL Laminated Finish
- Glass Options Available
- Six Stripe Finishes Available for Select Models
- Proudly Designed and Assembled in the USA and Overseas
- 5-Year Warranty



Optional Aluminum Edging



ITALIA LIGHT GREY



ITALIA SWISS ELM



ITALIA PRESTIGE BROWN



ITALIA PREMIUM WENGE



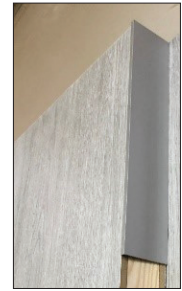
ITALIA ALASKAN WHITE



Italia Flush Series Interior Doors

The Italia Flush Series strikes a perfect balance between modern and classical design. With five different PPL finish color options, and 10 different design options, the Italia Flush Series is highly customizable to find the perfect fit for you and your home.

It also offers all the same construction benefits as all Italia series doors, such as Premium Smart Core construction, availability in 6 standard widths and 80", 84" or 96" heights, 45mm thickness, design and assembly in the USA. Available colors include Alaskan White, Light Gray, Prestige Brown, Swiss Elm and Premium Wenge



Optional Aluminum Edging

Stripe Finishes for Select Models



Brushed Anodized



Brilliant Anodized



Brushed Gold Anodized



Shine Gold Anodized



Pre Painted Matte Black



Pre Painted Brilliant Black



ITALIA FLUSH 01 PB



ITALIA FLUSH 02 PB



ITALIA FLUSH 03 PB



ITALIA FLUSH 04 PB



ITALIA FLUSH 05 PB



ITALIA FLUSH 06 PB



ITALIA FLUSH 07 PB



ITALIA FLUSH 08 PB



ITALIA FLUSH 09 PB



ITALIA FLUSH 10 PB

ITALIA FLUSH SERIES INTERIOR DOORS



ITALIA FLUSH 01 SE



ITALIA FLUSH 02 SE



ITALIA FLUSH 03 SE



ITALIA FLUSH 04 SE



ITALIA FLUSH 05 SE



ITALIA FLUSH 06 SE



ITALIA FLUSH 07 SE



ITALIA FLUSH 08 SE



ITALIA FLUSH 09 SE



ITALIA FLUSH 10 SE





ITALIA FLUSH 01 LG



ITALIA FLUSH 02 LG



ITALIA FLUSH 03 LG



ITALIA FLUSH 04 LG



ITALIA FLUSH 05 LG



ITALIA FLUSH 06 LG



ITALIA FLUSH 07 LG



ITALIA FLUSH 08 LG



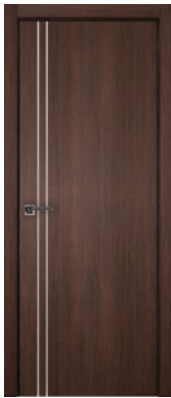
ITALIA FLUSH 09 LG



ITALIA FLUSH 10 LG



ITALIA FLUSH 01 PW



ITALIA FLUSH 02 PW



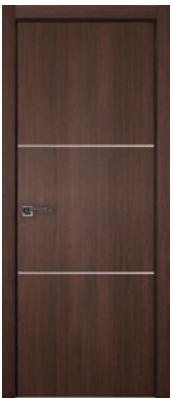
ITALIA FLUSH 03 PW



ITALIA FLUSH 04 PW



ITALIA FLUSH 05 PW



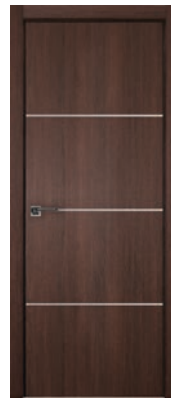
ITALIA FLUSH 06 PW



ITALIA FLUSH 07 PW



ITALIA FLUSH 08 PW



ITALIA FLUSH 09 PW



ITALIA FLUSH 10 PW



ITALIA FLUSH 01 AW



ITALIA FLUSH 02 AW



ITALIA FLUSH 03 AW



ITALIA FLUSH 04 AW



ITALIA FLUSH 05 AW



ITALIA FLUSH 06 AW



ITALIA FLUSH 07 AW



ITALIA FLUSH 08 AW



ITALIA FLUSH 09 AW



ITALIA FLUSH 10 AW

Italia Vetro Series Interior Doors

The Italia Vetro Series offers a clean, modern, yet comfortable feel for your office and home. Completely and proudly made and assembled in the US, the Vetro series offers 11 model options which are extremely customizable to your taste and style.

Available in the same five luxurious colors, our unique design options incorporate top quality materials, such as triplex glass available in white, clear and frosted, crafted with expertise. All components, including 80", 84" and 96" stiles are always kept in stock, so the lead time for your Italia Vetro is kept to a minimum.

Stripe Finishes for Select Models



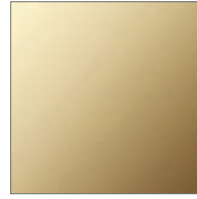
Brushed Anodized



Brilliant Anodized



Brushed Gold Anodized



Shine Gold Anodized



Pre Painted Matte Black

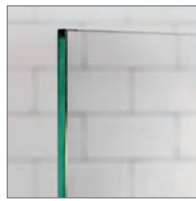


Pre Painted Brilliant Black

Available Glass Options



Black



Clear



Frosted



White





VETRO 01 LG



VETRO 1H LG



VETRO 2HC LG



VETRO 2H LG



VETRO 3H LG



VETRO 1 LITE LG



VETRO 2 LITE LG



VETRO 3 LITE LG



VETRO 4 LITE LG



VETRO 5 LITE LG



VETRO 6 LITE LG



VETRO 01 PB



VETRO 1H PB



VETRO 2HC PB



VETRO 2H PB



VETRO 3H PB



VETRO 1 LITE PB



VETRO 2 LITE PB



VETRO 3 LITE PB



VETRO 4 LITE PB



VETRO 5 LITE PB



VETRO 6 LITE PB



VETRO 01 SE



VETRO 1H SE



VETRO 2HC SE



VETRO 2H SE



VETRO 3H SE



VETRO 1 LITE SE



VETRO 2 LITE SE



VETRO 3 LITE SE



VETRO 4 LITE SE



VETRO 5 LITE SE



VETRO 6 LITE SE





VETRO 01 PW



VETRO 1H PW



VETRO 2HC PW



VETRO 2H PW



VETRO 3H PW



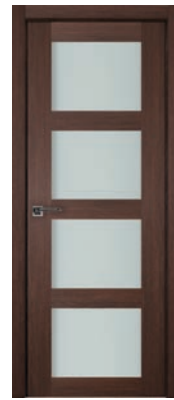
VETRO 1 LITE PW



VETRO 2 LITE PW



VETRO 3 LITE PW



VETRO 4 LITE PW



VETRO 5 LITE PW



VETRO 6 LITE PW



VETRO 01 W



VETRO 1H W



VETRO 2HC W



VETRO 2H W



VETRO 3H W



VETRO 1 LITE W



VETRO 2 LITE W



VETRO 3 LITE W



VETRO 4 LITE W



VETRO 5 LITE W



VETRO 6 LITE W

Triplex Series Interior Doors

One of the most popular Nova Doors and Hardware interior door ranges, the Triplex Series maintains an open, flowing atmosphere, even with the door closed. These modern interior doors are constructed of solid wood, MDF, and fused triplex frosted glass. All 80" Triplex doors are available in 6 standard widths and are made in Europe. The 84" and 96" Triplex Series also have many customizable design options, and each door is made in America and assembled by hand, with the highest expertise and care. All Triplex Series doors are painted with an Enamel White finish.

Features:

- Sleek White UV Lacquered Paint Finish
- Glass Options Available
- Six Stripe Finishes Available for Select Models
- Proudly Designed and Assembled in the USA And Overseas
- 3-Year Warranty

Technical Specifications

Available Colors	UV Painted White
Finish	Paint And PVC
Door Construction	Solid Pine Wood and Glass (see page 44 for details)
Door Slab Height	80, 84 and 96 inches
Door Slab Width (exact)	17-1/4", 23-1/4", 27-1/4", 29-1/4", 31-1/4", 35-1/4"
Door Thickness	1-3/4 inches (45mm)
Door Slab Weight	Medium Size - 70 Pounds
Jamb Width	Telescopic 4"-5 1/2" X 86" and 100" (Extensions Available for over 5 1/2")
Door Molding Width	3" - L-Shaped 86" and 100" Length 5/8" Thick
Custom Size	Any Width up to 44" and Height Up to 96" Inches
Custom Color	Over 200 Colors Available for Special Order (PROUD Catalog)
Sliding Jamb	Flat Jamb 4"-5 1/2" (Bypass/Sliding)+(Extensions Available for over 5 1/2")
Pocket Jamb	3 Split Jambs 1 Flat Jamb (Per Single Door)
Astragal	Double Door Astragal (Covers Gap Between the 2 doors)
Extension	2 1/2" X 5/8" X 86" and 100" (Used For Walls over 5 1/2" Thick)
Warranty	Leading 3-Year Warranty

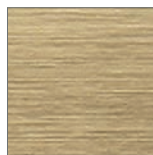
Stripe Finishes for Select Models



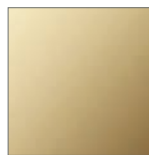
Brushed
Anodized



Brilliant
Anodized



Brushed Gold
Anodized



Shine Gold
Anodized



Pre Painted
Matte Black



Pre Painted
Brilliant Black

Available Glass Options



Black



Clear



Frosted



White

TRIPLEX SERIES INTERIOR DOORS



TRIPLEX-001 WHITE



TRIPLEX-002 WHITE



TRIPLEX-003 WHITE



TRIPLEX-004 WHITE



TRIPLEX-005 WHITE



TRIPLEX-006 WHITE



TRIPLEX-007 WHITE



TRIPLEX-008 WHITE



TRIPLEX-009 WHITE



TRIPLEX-012 WHITE





TRIPLEX-013 WHITE



TRIPLEX-015 WHITE



TRIPLEX-017 WHITE



TRIPLEX-018 WHITE



TRIPLEX-020 WHITE



TRIPLEX-021 WHITE



TRIPLEX-022 WHITE



TRIPLEX-023 WHITE



TRIPLEX-024 WHITE



TRIPLEX-025 WHITE

TRIPLEX SERIES INTERIOR DOORS



TRIPLEX-029 WHITE



TRIPLEX-035 WHITE



TRIPLEX-036 WHITE



TRIPLEX-040 WHITE



TRIPLEX-054 WHITE



TRIPLEX-056 WHITE



TRIPLEX-057 WHITE



TRIPLEX-058 WHITE



TRIPLEX-059 WHITE



Stile Series Interior Doors

The Stile Series offers over 30 design options. With slim, vertical frames defining the edges of the door's design, and available panels in 2.5", 5", and 10", this creates a central, eye-catching canvas for geometrical design innovation. Thin, metallic striping accents offer subtle shadowed effects on the surface of the door. Easily one of Nova Door's most unique and customizable options, the Stile Series offers a high quality feel and gliding swing.

Features:

- Sleek UV Lacquered Paint and PVC
- Stripe Colors Available
- Proudly Designed and Assembled in the USA And Overseas (DOM)
- 3-Year Warranty

Technical Specifications

Available Colors	UV Painted White
Finish	Paint And PVC
Door Construction	Solid Pine Wood with Reinforced Foamed Panel (see page 44 for details)
Door Slab Height	80, 84 and 96 inches
Door Slab Width (exact)	17-1/4", 23-1/4", 27-1/4", 29-1/4", 31-1/4", 35-1/4"
Door Thickness	1-3/4 inches (45mm)
Door Slab Weight	Medium Size - 70 Pounds
Jamb Width	Telescopic 4"-5 1/2" X 86" and 100" (Extensions Available for over 5 1/2")
Door Molding Width	3" - L-Shaped 86" and 100" Length 5/8" Thick
Custom Size	Any Width up to 44" and Height Up to 96" Inches
Custom Color	Over 200 Colors Available for Special Order (PROUD Catalog)
Sliding Jamb	Flat Jamb 4"-5 1/2" (Bypass/Sliding)+(Extensions Available for over 5 1/2")
Pocket Jamb	3 Split Jamb 1 Flat Jamb (Per Single Door)
Astragal	Double Door Astragal (Covers Gap Between the 2 doors)
Extension	2 1/2" X 5/8" X 86" and 100" (Used For Walls over 5 1/2" Thick)
Warranty	Leading 3-Year Warranty

Stripe Finishes for Select Models



Brushed
Anodized



Brilliant
Anodized



Brushed Gold
Anodized



Shine Gold
Anodized



Pre Painted
Matte Black



Pre Painted
Brilliant Black

STILE SERIES INTERIOR DOORS



STILE-001 WHITE



STILE-002 WHITE



STILE-003 WHITE



STILE-004 WHITE



STILE-005 WHITE



STILE-006 WHITE



STILE-007 WHITE



STILE-008 WHITE



STILE-009 WHITE



STILE-012 WHITE





STILE-013 WHITE



STILE-015 WHITE



STILE-017 WHITE



STILE-020 WHITE



STILE-011 WHITE



STILE-022 WHITE



STILE-023 WHITE



STILE-024 WHITE



STILE-025 WHITE



STILE-029 WHITE





STILE-032 WHITE



STILE-035 WHITE



STILE-036 WHITE



STILE-039 WHITE



STILE-040 WHITE



STILE-041 WHITE



STILE-043 WHITE



STILE-044 WHITE



STILE-054 WHITE



STILE-059 WHITE

Glam Series Laquered Interior Doors

The Glam Series is the epitome of simplistic, beautiful design. With pure color and shine, this range of interior doors is the apex when it comes to clean, modern design. It is available in all six standard widths with 80", 84" and 96" heights. This Series also offers both a thick honeycomb interior, and the thickest MDF layer available, at 10mm on each side. These features give the Glam Series excellent sound dampening benefits and a very solid feel. The Glam Series demonstrates great versatility with its 10 design options, and is ideal for several hanging options, such as barn door, sliding doors, and pocket doors. With so many options, it's easy to find a single door or a small collection of doors to fit your design preferences and space.

Features:

- Sleek UV lacquered Paint and PVC
- Stripe Colors Available
- 3-Year Warranty

Technical Specifications

Available Colors	UV Painted White
Finish	Paint
Door Construction	Solid Pine Wood with Reinforced Foamed Panel (see page 44 for details)
Door Slab Height	80, 84 and 96 inches
Door Slab Width (exact)	17-1/4", 23-1/4", 27-1/4", 29-1/4", 31-1/4", 35-1/4"
Door Thickness	1-3/4 inches (45mm)
Door Slab Weight	Medium Size - 70 Pounds
Jamb Width	Telescopic 4"-5 1/2" X 86" and 100" (Extensions Available for over 5 1/2")
Door Molding Width	3" - L-Shaped, 86" and 100" Length, 5/8" Thick
Custom Size	Any Width up to 44" and Height Up to 96" Inches
Custom Color	Over 200 Colors Available for Special Order (PROUD Catalog)
Sliding Jamb	Flat Jamb 4"-5 1/2" (Bypass/Sliding + Extensions Available for over 5 1/2")
Pocket Jamb	3 Split Jambs 1 Flat Jamb (Per Single Door)
Astragal	Double Door Astragal (Covers Gap Between the 2 doors)
Extension	2 1/2" X 5/8" X 86" and 100" (Used For Walls over 5 1/2" Thick)
Warranty	Leading 3-Year Warranty

Stripe Finishes for Select Models



Brushed
Anodized



Brilliant
Anodized



Brushed Gold
Anodized



Shine Gold
Anodized



Pre Painted
Matte Black



Pre Painted
Brilliant Black

GLAM SERIES INTERIOR DOORS



G-PRO 001



G-PRO 002



G-PRO 003



G-PRO 004



G-PRO 005



G-PRO 006



G-PRO 007



G-PRO 008



G-PRO 009



G-PRO 010



Altima Series Interior Doors

The Altima Series, made in Europe, highlights the beauty of layering and lining. With an extra-lightly-textured Eco-Veneer finish, this series offers five rich colors that draw the eye, yet do not take over the room. The Altima Series also offers a Honeycomb Premium Core and 3mm MDF layers, which gives the door a light, yet sturdy feel. The Altima is available in all 6 standard widths, 18", 24", 28", 30", 32" and 36", with an 80" height.

Features:

- Premium Honeycomb Core
- Five Color Options: Pure White, Grey, Wenge, Italian Walnut, Truffle
- Eco-Veneer Finish
- Extralight Textured Finish
- 1-Year Warranty

Technical Specifications

Available Colors	Pure White, Grey, Wenge, Italian Walnut, Truffle
Finish	Eco-Veneer
Door Construction	Premium Honey Comb (see page 44 for details)
Door Slab Height	80"
Door Slab Width (exact)	17-7/8", 23-7/8", 27-7/8", 29-7/8", 31-7/8", 35-7/8"
Door Thickness	1 3/8" (37mm)
Door Slab Weight	Medium Size - 35 Pounds
Jamb Width	Telescopic 4"-5 1/2" X 86" (Extensions Available for over 5 1/2")
Door Molding Width	3" - L-Shaped, 86" Length, 5/8" Thick
Sliding Jamb	Flat Jamb 4"-5 1/2" (Bypass/Sliding)+(Extensions Available for over 5 1/2")
Pocket Jamb	3 Split Jambs 1 Flat Jamb (Per Single Door)
Extension	2 1/2" X 5/8" X 86" (Used For Walls over 5 1/2" Thick)
Warranty	Leading 1-Year Warranty



ALTIMA WHITE



ALTIMA WENGE



ALTIMA ITALIAN WALNUT



ALTIMA TRUFFLE



ALTIMA GREY

Domino Series Interior Doors

One of the most unique, innovative doors offered by Nova doors, the Domino Series is perfect for any vibrant home or busy office. These solid MDF doors are finished to look like realistic oak, with either gray or bleached oak options. The patchwork-style design is contemporary and incredibly cohesive with or without any glass options. The heavy-textured finish adds another layer to the design quality and enhances the vivid oak wood grain.

Features:

- Premium PPL Finish
- Two Color Options: Bleached Oak and Gray Oak
- Heavy Textured Finish
- Glass options available
- 3 Models to Choose From
- 3-Year Warranty

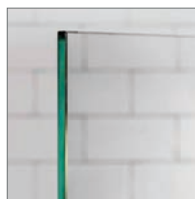
Technical Specifications

Available Colors	Bleached Oak, Gray Oak
Finish	Heavy Textured PPL
Door Construction	Solid Modular MDF and Pine Wood (see page 44 for details)
Door Slab Height	80"
Door Slab Width (exact)	17-1/4", 23-1/4", 27-1/4", 29-1/4", 31-1/4", 35-1/4"
Door Thickness	1 1/2" (40mm)
Door Slab Weight	Medium Size - 45 Pounds
Jamb Width	Telescopic 4"-5 1/2" X 86" (Extensions Available for over 5 1/2")
Door Molding Width	3" - L-Shaped 86" 5/8" Thick
Sliding Jamb	Flat Jamb 4"-5 1/2" (Bypass/Sliding & Extensions Available for over 5 1/2")
Pocket Jamb	3 Split Jamb 1 Flat Jamb (Per Single Door)
Extension	2 1/2" X 5/8" X 86" (Used For Walls over 5 1/2" Thick)
Warranty	Leading 3-Year Warranty

Available Glass Options for Select Models



Black



Clear



Frosted



White



DOMINO-G1 GO



DOMINO-P3 GO



DOMINO-G1 BO



DOMINO-G3 BO



DOMINO-G3 GO



DOMINO-P3 BO

Laminated Series Interior Doors

The Nova Laminated Series is one of the more affordable options. However, with over four hundred models and two hundred different finishes in each size, the Laminated Series is one of our best sellers. Its high quality materials and sturdy construction, with MDF over wood, make this a heavy, sturdy door excellent for soundproofing. The endless options of model and finish ensure that you'll find the style and design that speaks to you, with the highest quality material, all at an affordable price.

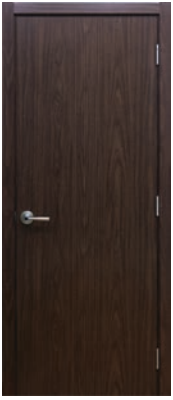
Features:

- Premium Reinforce Core
- Many Colors available
- PVC Laminated Finish
- Smooth and Textured Finishes
- 3-Year Warranty

Technical Specifications

Available Colors	Aloe Wood, White Wenge, Black Walnut, Pure White, etc
Finish	High Endurance PVC
Door Construction	Solid Pine Wood, MDF Reinforced, Foamed (Sound Proof Insulation) (see page 44 for details)
Door Slab Height	80, 84 and 96 inches
Door Slab Width (exact)	17-7/8", 23-7/8", 27-7/8", 29-7/8", 31-7/8", 35-7/8"
Door Thickness	1-3/4 inches (45mm)
Door Slab Weight	Medium Size - 50 Pound
Jamb Width	Telescopic 4" - 5-1/2" X 86" and 100" (Extensions Available for over 5-1/2")
Door Molding Width	3" - L-Shaped 86" and 100" Length 5/8" Thick
Custom Size	Any Width and Height Up to 96 Inches
Custom Color	Over 200 Colors Available for Special Order (PROUD Catalogs)
Sliding Jamb	Flat Jamb 4"-6" (Bypass/Sliding)+(Extensions Available for over 6")
Pocket Jamb	3 Split Jamb 1 Flat Jamb (Per Single Door)
Floor Baseboard	4" X 96" X 1/2" All Stock colors Available
Astragal	Double Door Astragal (Covers Gap Between the 2 doors)
2 Sided Panel	3/8" X 36" X 96" For Custom Sliding/Bifold/Pivot closet Doors
Extension	2 1/2" X 5/8" X 86" and 100" (Used For Walls over 6" Thick)
Warranty	Leading 3-Year Warranty

LAMINATED SERIES INTERIOR DOORS



M-34BW



M-34S



M-34W



HM-419



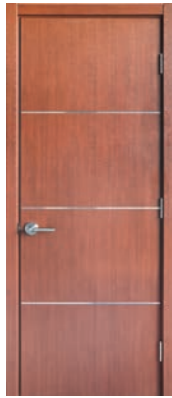
M-42W



HG-008BA



HG-008JO



HG-008KM



HG-008WW



HG-008WD





1 Lite White Wenge



1 Lite 1H White Wenge



1 Lite 2HC White Wenge



1 Lite 2H White Wenge



1 Lite 3H White Wenge



2 Lite White Wenge



3 Lite White Wenge



4 Lite White Wenge



5 Lite White Wenge



6 Lite White Wenge

LAMINATED SERIES INTERIOR DOORS



HG002V Light Aloe



HG002VR Light Aloe



GRAFFITI



HG002V Dark Aloe



HG002VR Dark Aloe





INOX S2 GREY



INOX S2 MAHOGANY



INOX S2 WENGE



INOX S2 ECO WENGE



INOX S3 GREY



INOX S3 MAHOGANY



INOX S3 WENGE



INOX S3 ECO WENGE



INOX S5 GREY



INOX S5 MAHOGANY



INOX S5 WENGE



INOX S5 ECO WENGE



INOX S2 BLACK



INOX S4 MAHOGANY



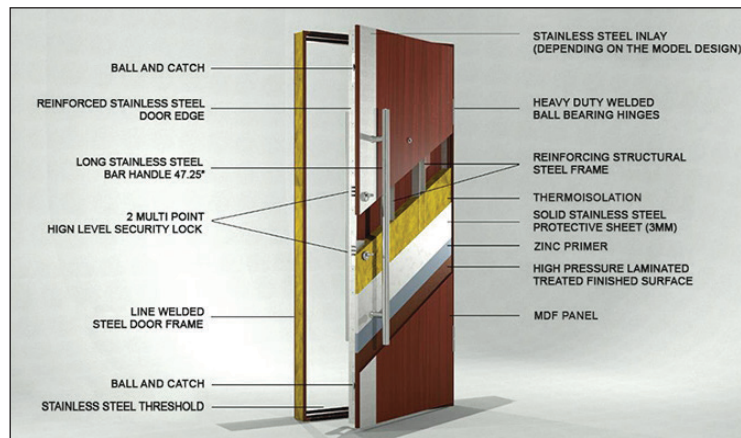
INOX S4 WENGE



INOX S4 BLACK



INOX S4 GREY



INOX S4 ECO WENGE

Available Configuration



SINGLE DOOR



LEFT SIDELIGHT



RIGHT SIDELIGHT



DOUBLE SIDELIGHTS



TRANSOM



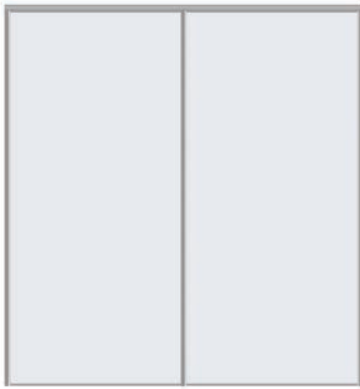
LEFT SIDELIGHT & TRANSOM



RIGHT SIDELIGHT & TRANSOM



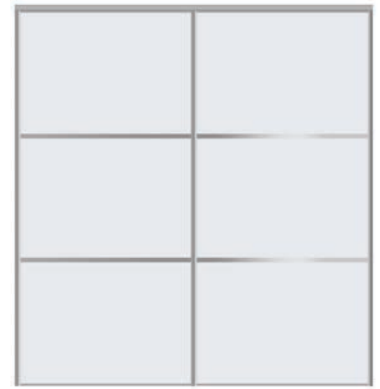
BOTH SIDELIGHTS AND TRANSOM



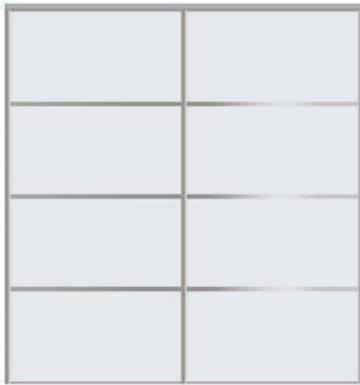
SD-S1



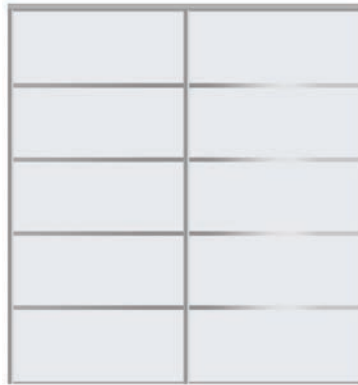
SD-S2



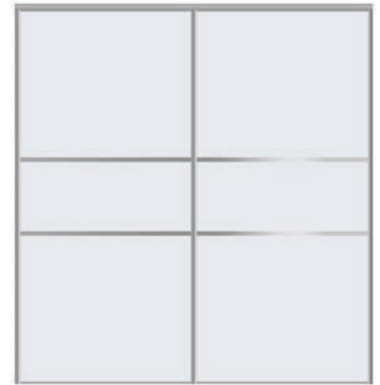
SD-S3



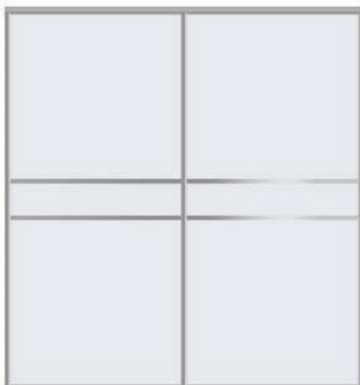
SD-S4



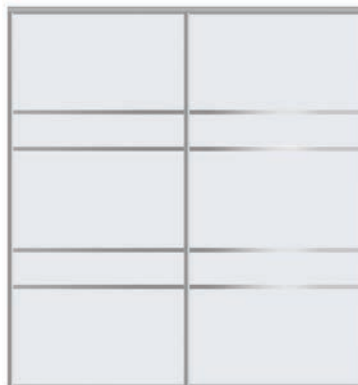
SD-S5



SD-S6



SD-S7



SD-S8



SD-S9



SD-S10

All doors are proudly made in the USA with a sleek premium German aluminum profile, available in 3 colors - Black, Silver and White.

Ten premade design options can be personalized with any color of glass, mirror, or wood panel. Have something else in mind? Draw your own design and get doors custom-made for you. Custom height or width available.

3-YEAR WARRANTY



BD-S1



BD-S2



BD-S3



BD-S4



BD-S5



BD-S6



BD-S7



BD-S8



BD-S9

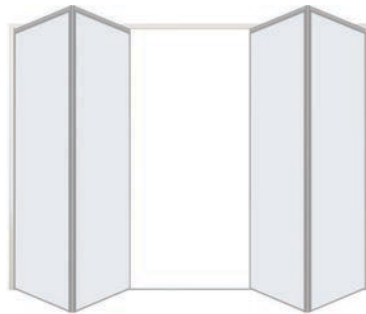


BD-S10

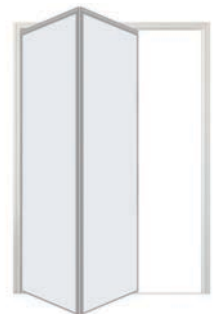
BI-FOLD DOORS POSSIBLE CONFIGURATIONS



RIGHT TO LEFT



DOUBLE



LEFT TO RIGHT



SD-01



SD-02



SD-03



SD-04



SD-05



SD-06



SD-07



SD-08



SD-09



SD-10



SD-11



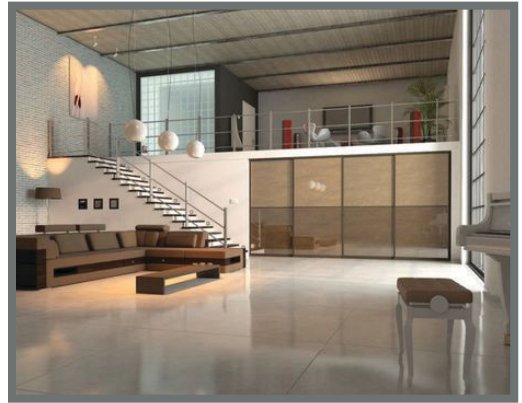
SD-12



SD-13



SD-14



SD-15



SD-16



SD-17



SD-18



SD-19



SD-20



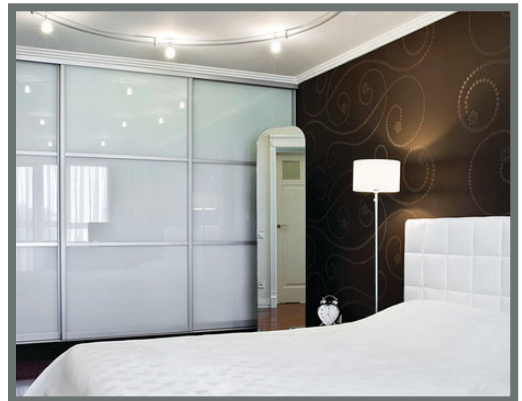
SD-21



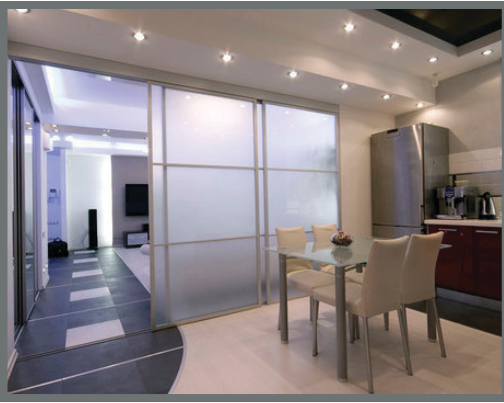
SD-22



SD-23



SD-24



SD-25



SD-26



SD-27



SD-28



SD-29



SD-30



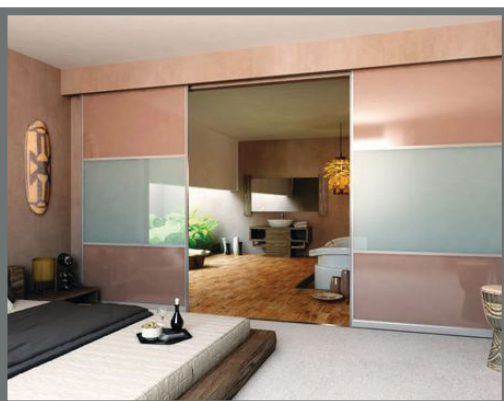
SD-31



SD-32



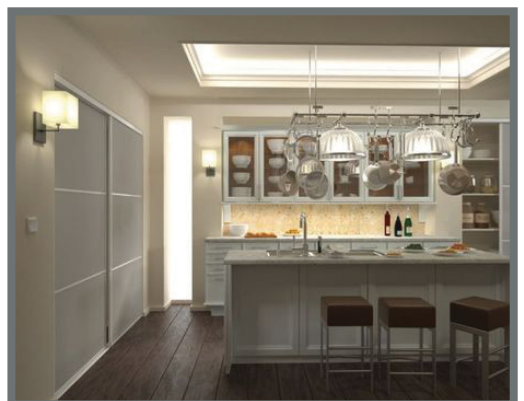
SD-33



SD-34



SD-35



SD-36



SD-37



SD-38



SD-39



SD-40



SD-41



SD-42



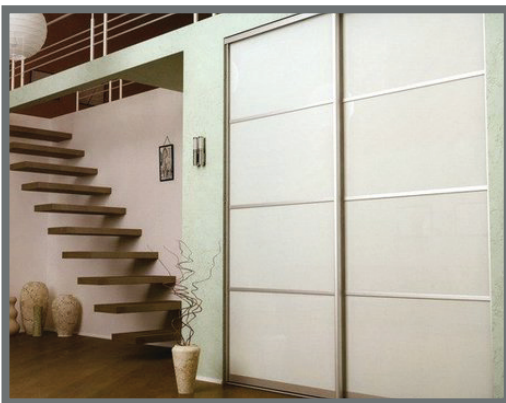
SD-43



SD-44



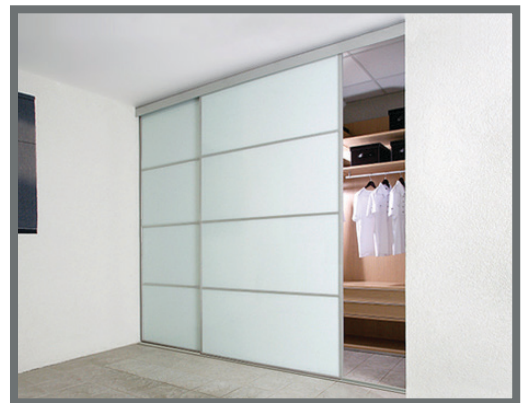
SD-45



SD-46



SD-47



SD-48



SD-49



SD-50



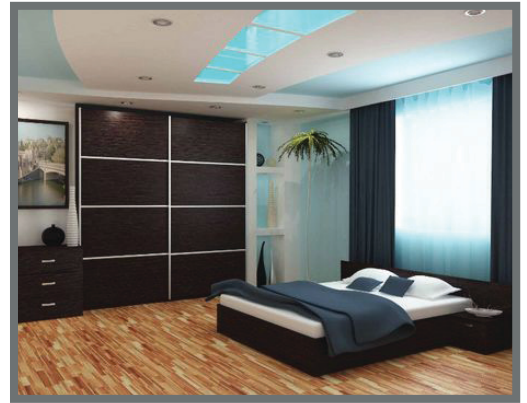
SD-51



SD-52



SD-53

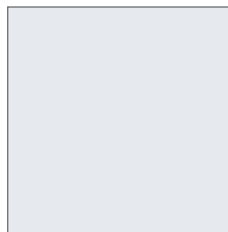


SD-54

AVAILABLE PROFILE FINISHES



SILVER

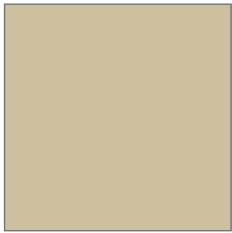


WHITE



BLACK

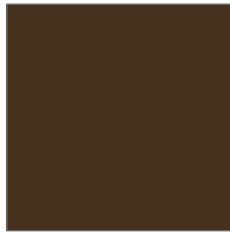
AVAILABLE GLASS FINISHES



BEIGE



BLACK



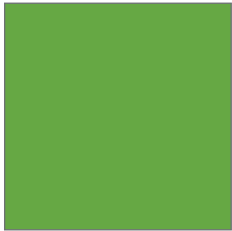
BROWN



BURGUNDY



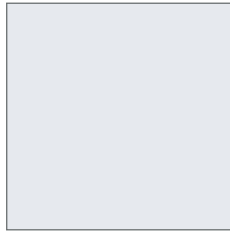
PINK



GREEN



SILVER GREY



WHITE



LIGHT RED



MIRROR

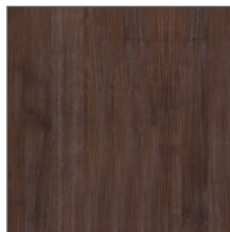
AVAILABLE PANEL FINISHES



LIGHT ALOE WOOD



LIGHT GREY



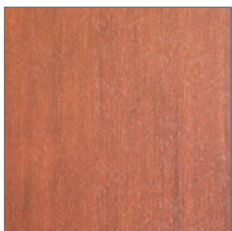
PRESTIGE BROWN



SWISS ELM



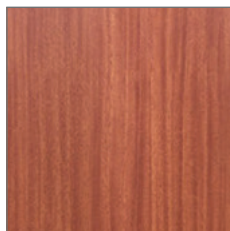
JAPAN OAK



KOREAN MAHOGANY



PURE WHITE



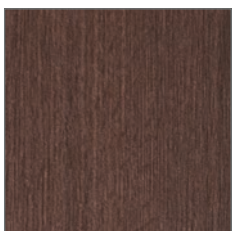
SAPELE



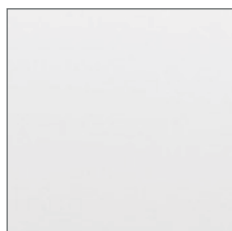
DARK ALOE WOOD



WHITE ASH



PREMIUM WENGE



WHITE DRAWING



BLACK ASH



WHITE WENGE



BLACK WALNUT

US Standard Hardware



MODERNUS



CURVE



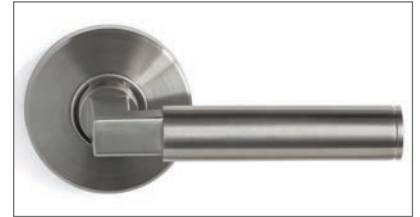
MARS



VENUS



SATURN



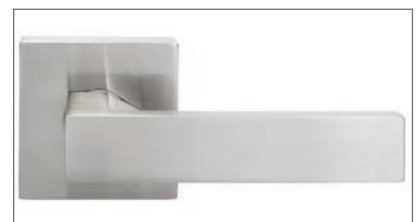
GRANATA



SIMPLICITY



JUPITER

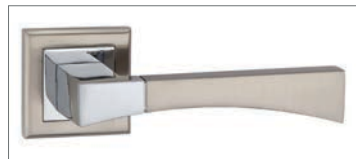


QUAD

European Hardware



AQUILA



ARIES



DIAMOND



QUATRA



AURORA



LYRA

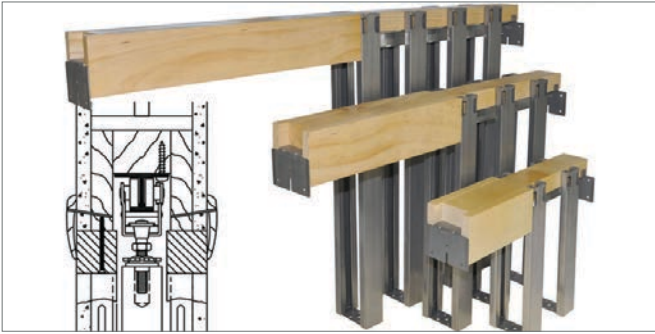


VEGA



VELA

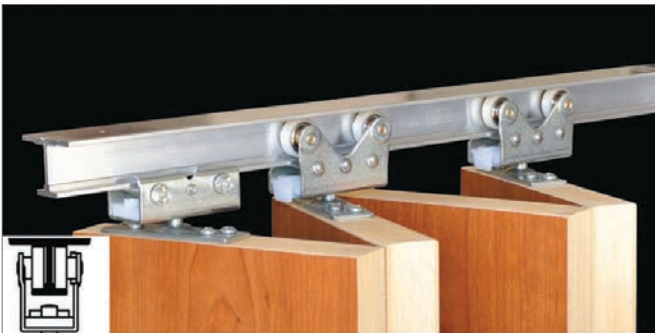
SLIDING • BI-FOLD • BYPASS



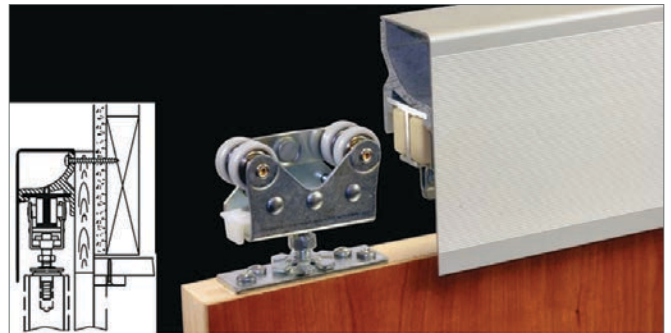
POCKET DOOR FRAME KITS



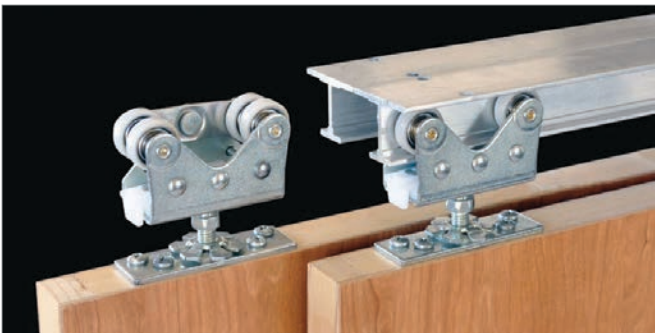
BI-FOLD DOOR HARDWARE



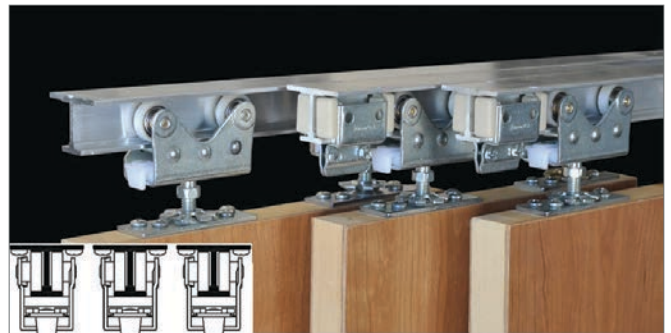
MULTI FOLD DOOR HARDWARE



WALL MOUNT SLIDING HARDWARE

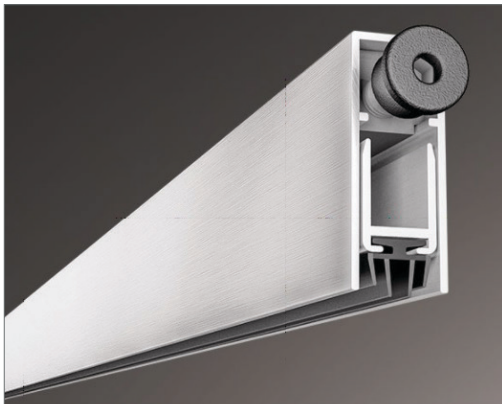


SLIDING BYPASS HARDWARE

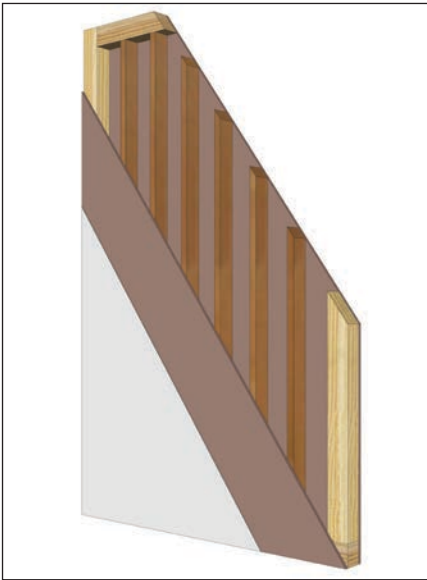


MULTI-PASS HARDWARE

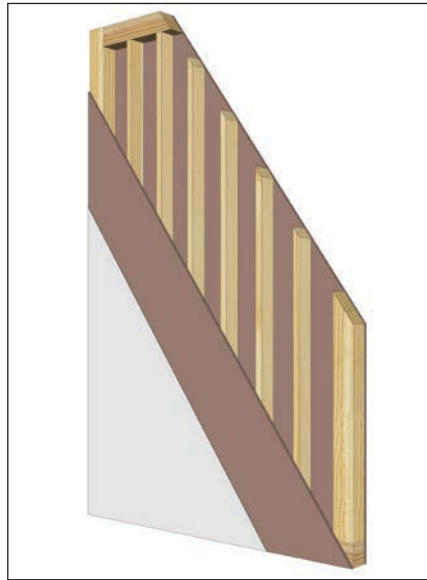
Smart Sweep Door Hardware



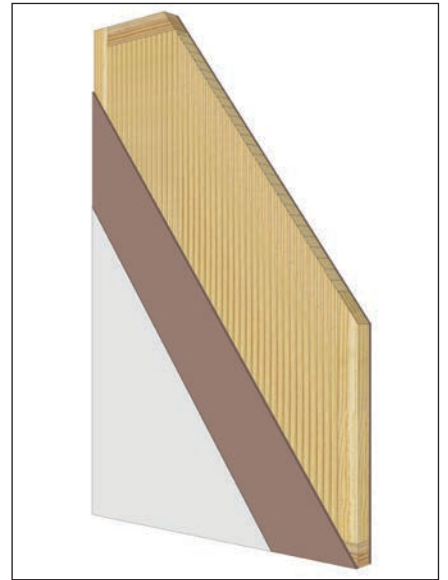
Interior Door Core Variation



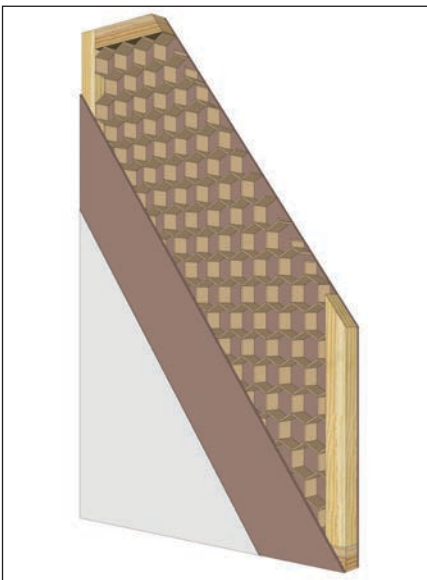
Solid Wood Skeleton with MDF Strips



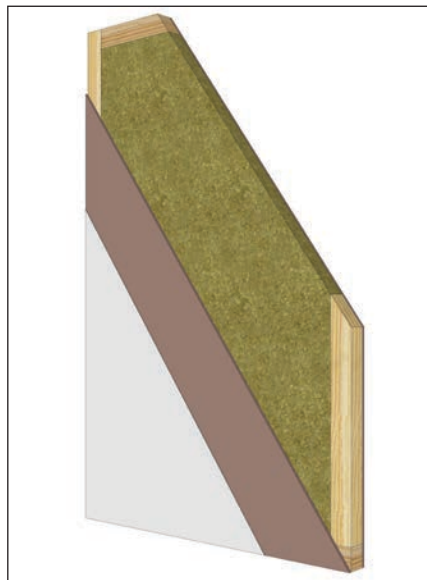
Solid Wood Skeleton with Wood Strips



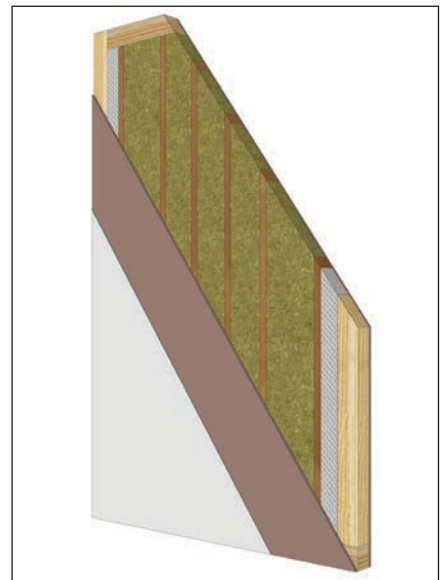
Solid Wood Skeleton with Solid Wood Strips Core



Solid Wood Skeleton with Honeycomb Core

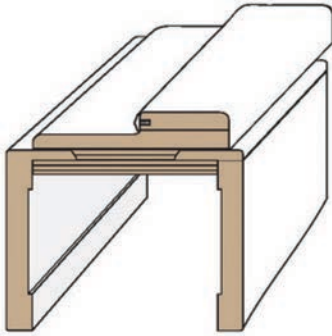


Solid Wood Skeleton with High Density Filler

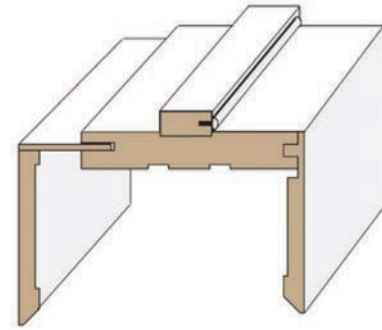


Solid Wood Skeleton with MDF Strips, High Density Filler and Reinforced Metal Bars

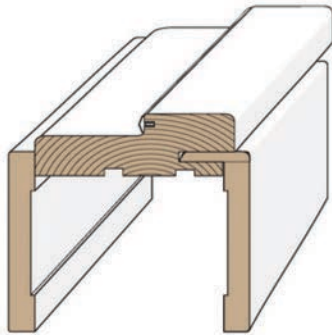
Jambs - Casings - Extensions



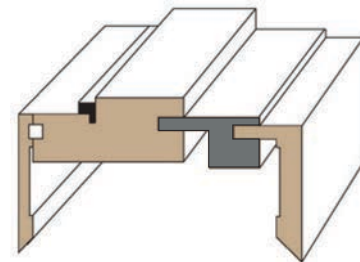
Single Rabbet Telescopic Jamb with Rubber Seal and L-Shaped Casing on Both Sides. Extension is Optional.



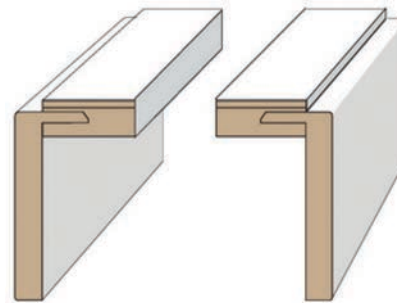
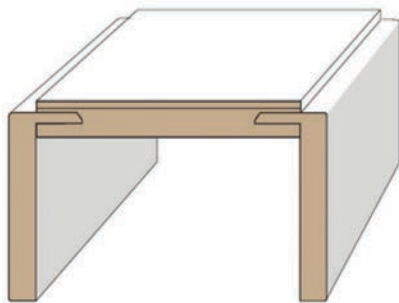
Double Rabbet Half Telescopic Jamb with Rubber Seal, L-Shaped Casing on One Side and Flat Casing on the Other Side. Extension is Optional.



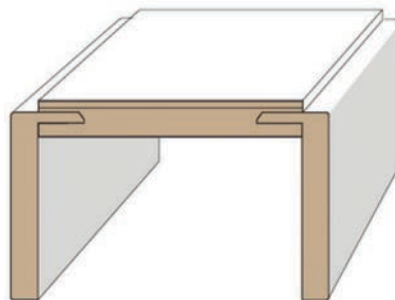
Single Rabbet Half Telescopic Jamb with Rubber Seal, Flat Casing on One Side and L-Shaped Casing on the Other Side. Extension is Optional.



Jamb Extension to Accomodate Any Width of the Wall.



Pocket Door Jambs with Telescopic L-Shaped Casings. Extension is Optional.



Sliding Door Jambs with Telescopic L-Shaped Casings. Extension is Optional.

* Matching Baseboards Available.

Door Finish

- Primed - Coating that needs to be painted on site.
- Enamel Paint - 2 part paint process, thicker and more durable than traditional paint.
- PVC - Durable Laminated Coating.
- PPL - Scratch resistant, thicker finish available in textured options.
- Unfinished - Complete unfinished surface, needs to be primed, painted or stained.
- Wood Species - Natural wood to be stained (recommended).
- Wood Veneer - Available in unfinished and pre finished configuration.
- Fiber Glass - Man made material used for exterior doors.
- Steel - Steel doors made for exterior use.

Slab Only Configuration

No Hinge or Handle / No Deadbolt Prep / No Frame / No Casings

- For use in existing frames or for sliding, bypass, pocket, barn or magic option.
- Keep in mind if installing into existing frames every manufacturer has different actual slab sizes. Some are prefit anywhere from 1/8 - 3/4 inches.
- Most Interior Doors Come In 3 Thicknesses 1-3/8", 1-1/2" and 1-3/4"

Knock Down Configuration

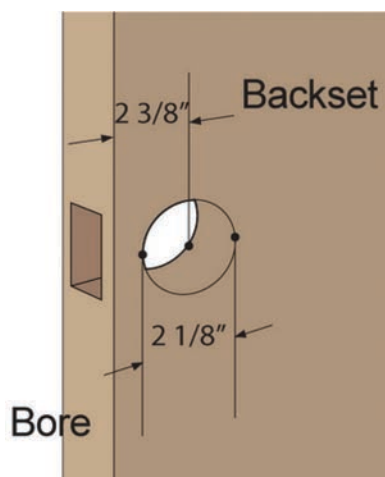
- Includes Door Slab, Frame and Casing Set
- Hardware is Optional (We recommend Butterfly Non-Mortise Hinges)
- No Hinge Prep, No Bore Prep
- For DIY Installation



Pre-Hung Configuration

- Prepped and Assembled
- Most Popular Choice For Both Home Owners And Installers
- Faster and Easier Installation Process
- Door Slab is Pre-Cut For Hardware
- Door Is Installed on Frame Using Chosen Hardware
- Casings Cut On Site By Installer To Ensure Proper Fit

US Standard Pre-Hung

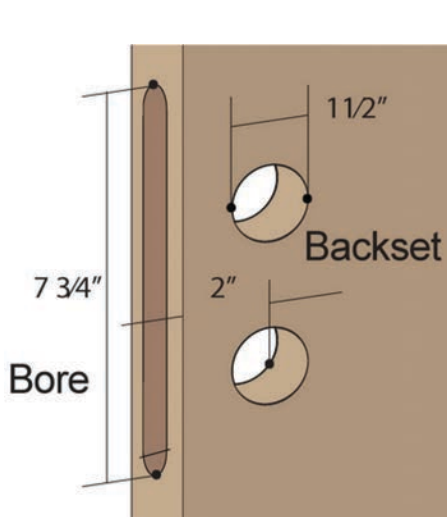


American Hole Bore:

- 2-3/8" Bore Backset is Standard.
- 2-3/4" Bore Backset Upon Request.
- Hung on Ball Bearing Mortise Hinges 3.5" x 3.5" x 5/8" Radius
- 3 Hinges for Doors up to 84 inches
- 4 Hinges for Doors over 84 inches
- Finish: Black, Brushed Satin Nickel, Polished Chrome, Polished Gold, Satin Gold



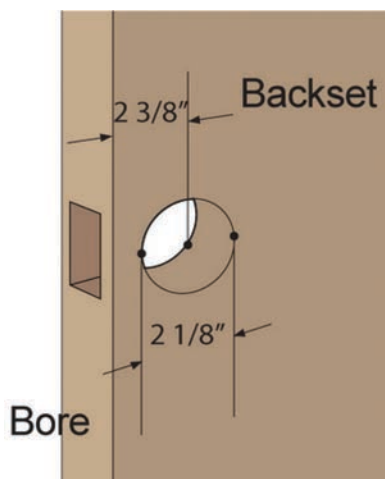
European Standard Pre-Hung



- Hung on European Invisible Hinges.
- Sleek Modern Look as Hinges are not Visible.
- Hinges are Adjustable and Easy to Rectify any Issues After Installation.
- 2 Hinges for Doors up to 84 inches
- 3 Hinges for Doors over 84 inches
- European Magnetick Lock prepped and installed.
- Passage, Privacy or Keyed Function with Round or Square Trim Option.
- Smooth Operation.
- Slimmed European Trim



Invisible 3D Hinges and US Lock Bore Pre-Hung



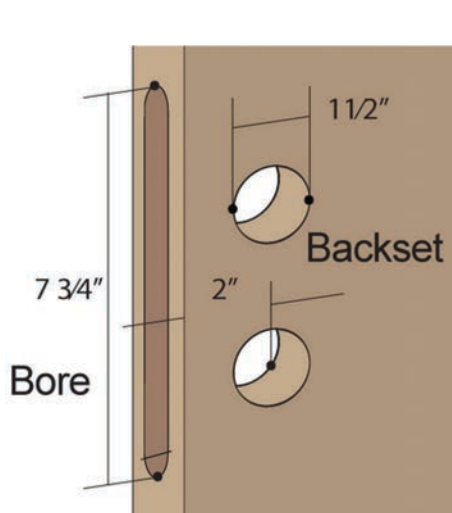
- Hung on European Invisible Hinges.
- Sleek Modern Look as Hinges are not Visible.
- Hinges are Adjustable and Easy to Rectify any Issues After Installation.
- 2 Hinges for Doors up to 84 inches.
- 3 Hinges for Doors over 84 inches.

American Hole Bore:

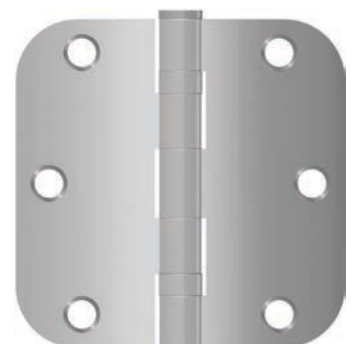
- 2-3/8" Bore Backset is Standard.
- 2-3/4" Bore Backset Upon Request.



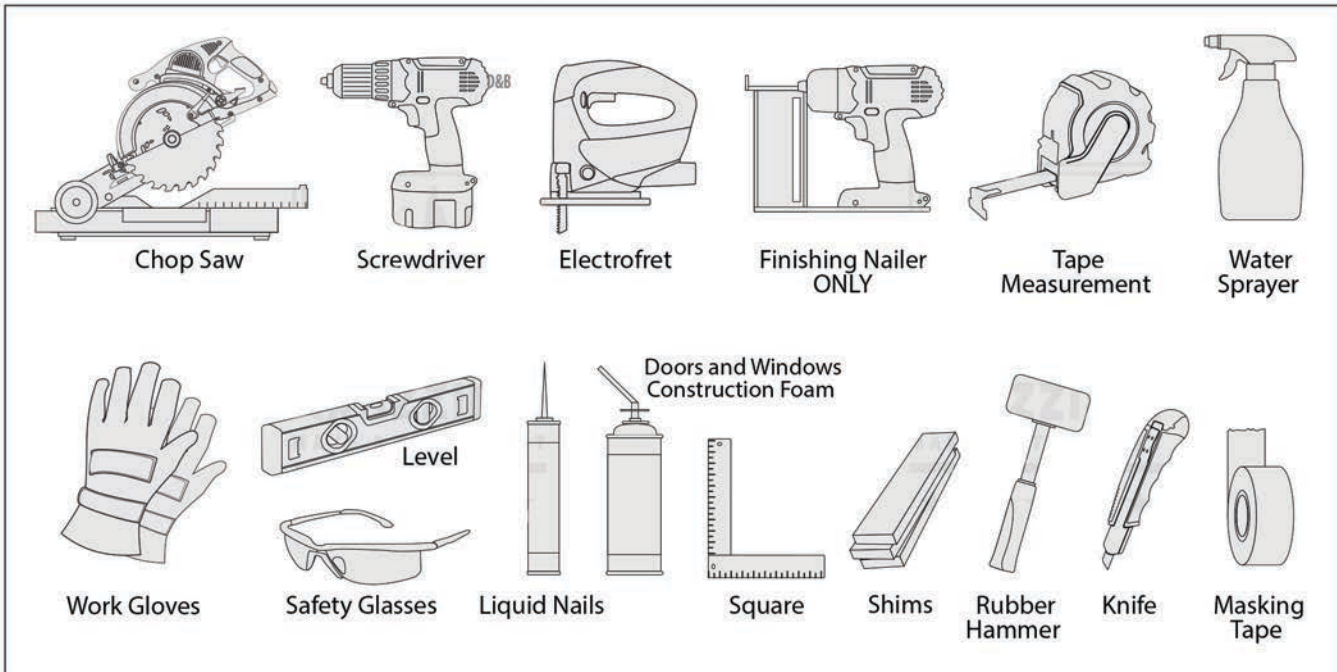
European Lock Bore with Standard Hinges Pre-Hung



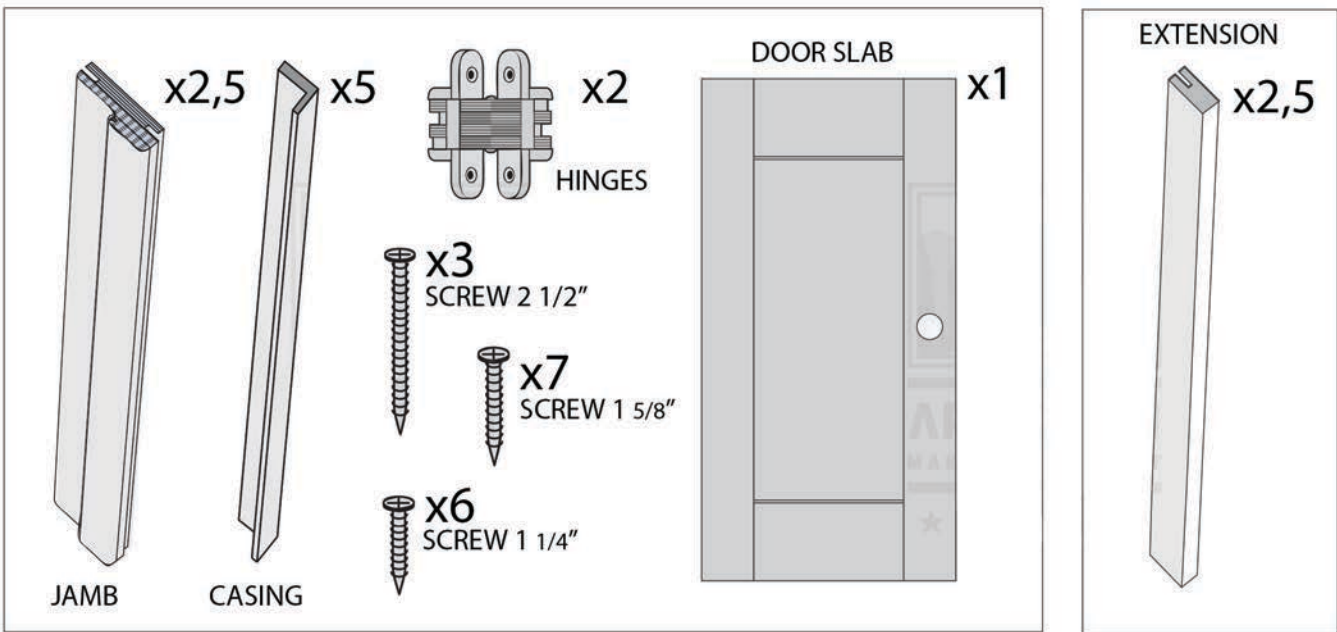
- Hung on Ball Bearing Mortise Hinges 3.5" x 3.5" x 5/8" Radius
- 3 Hinges for Doors up to 84 inches
- 4 Hinges for Doors over 84 inches
- Finish: Satin Nickel, Black, Gold, Chrome
- European Magnetick Lock prepped and installed.
- Passage, Privacy or Keyed Function with Round or Square Trim Option.
- Smooth Operation.
- Slimmed European Trim



Necessary Tools

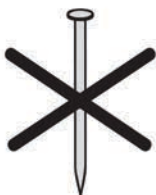


Door Parts

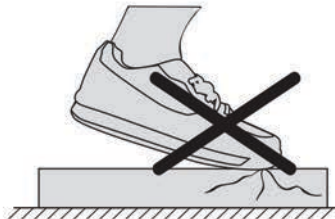


WARNING!

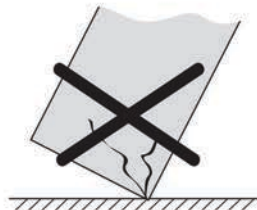
DO NOT USE STANDARD NAILS AND HAMMER



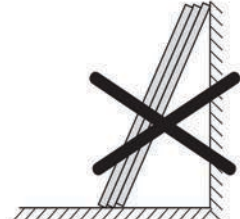
DO NOT STEP ON THE DOOR

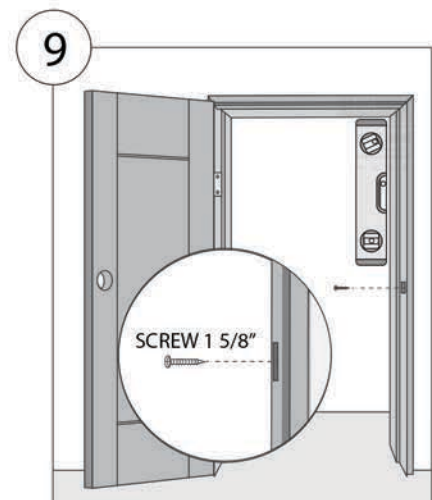
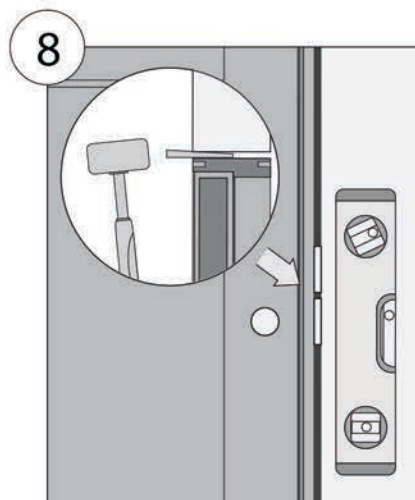
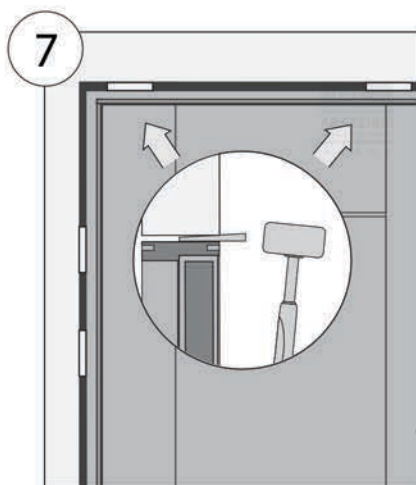
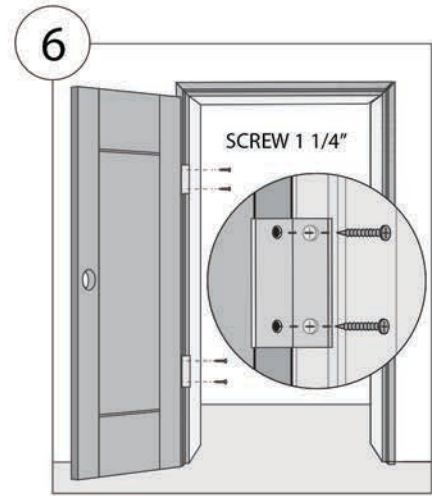
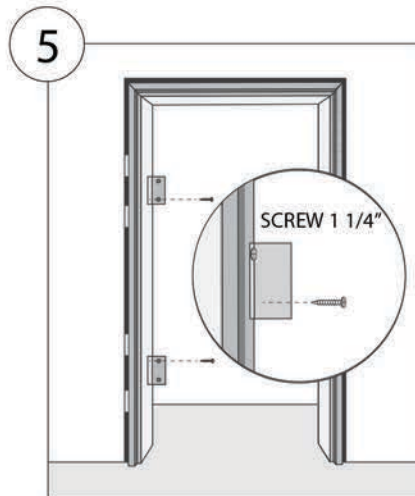
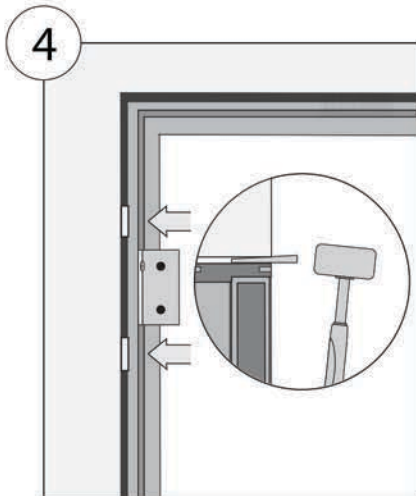
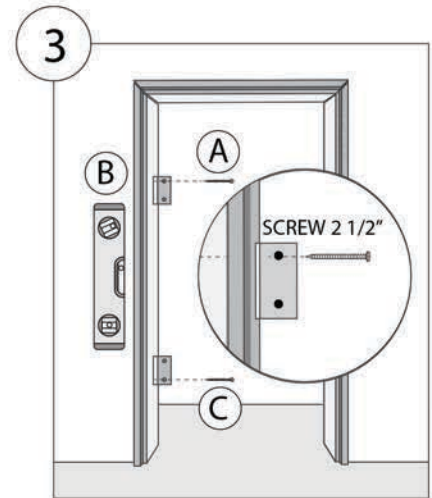
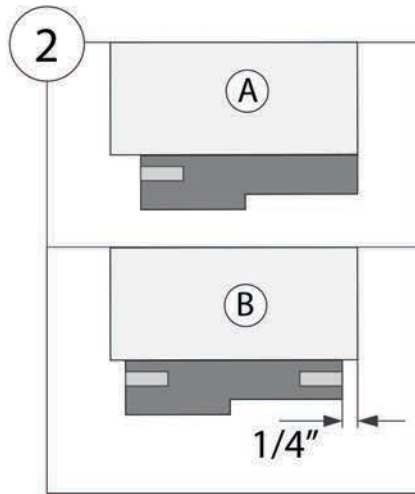
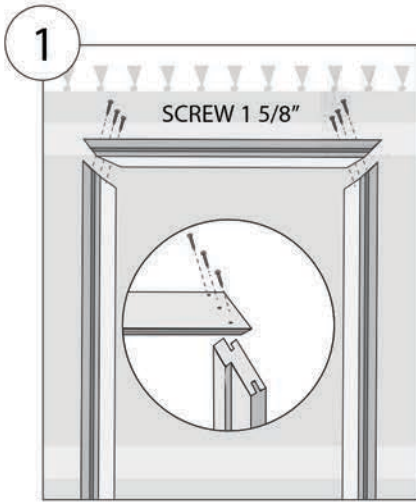


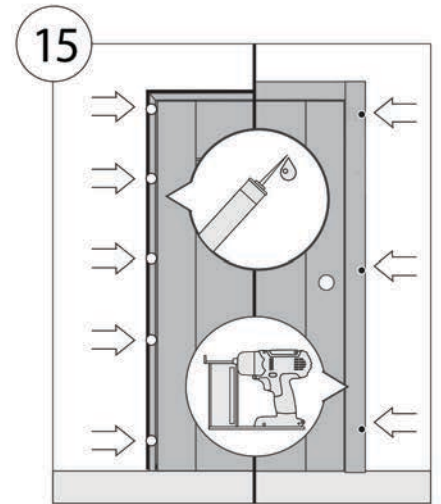
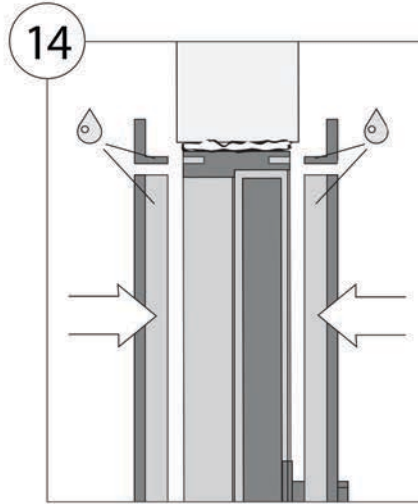
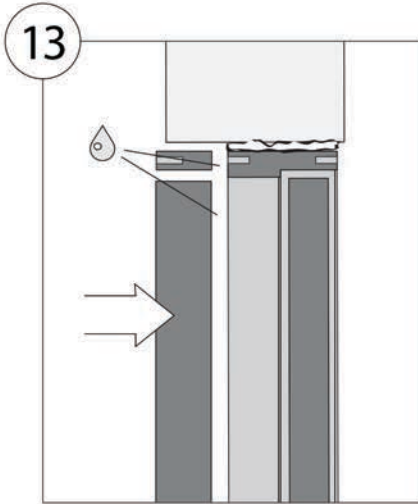
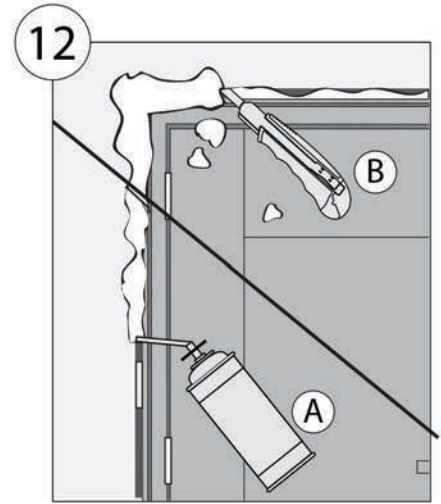
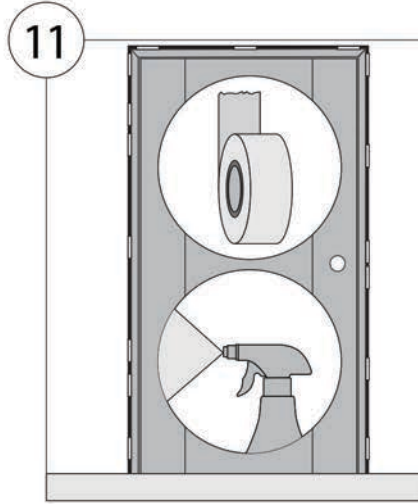
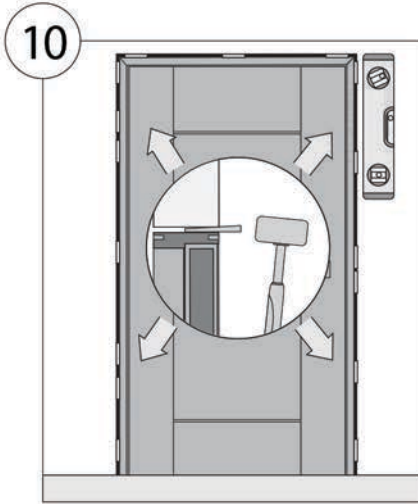
DO NOT LAY DOWN ON EDGES



DO NOT LEAN ON THE WALL





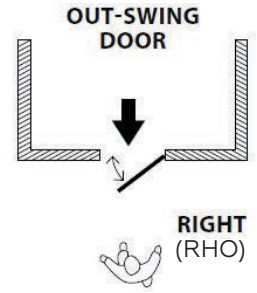
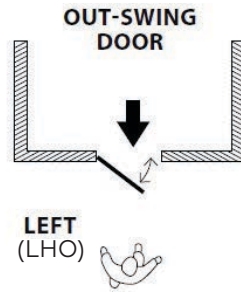
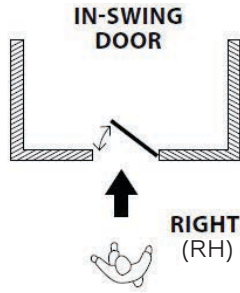
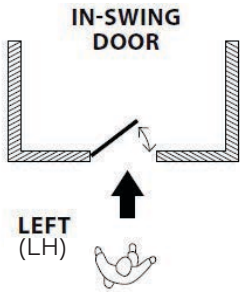


Congratulations
Installation Complete!

NOTES

STANDARD INTERIOR DOOR SIZES
18" 24" 28" 30" 32" 36"
STANDARD OPENINGS
20" 26" 30" 32" 34" 38"

SWING DIRECTIONS



INTERIOR DOOR POSSIBLE CONFIGURATION



SINGLE



DOUBLE



POCKET



DOUBLE POCKET



BI-FOLD



BYPASS



MAGIC



BARN

NOVA

DOORS
HARDWARE

409 JOYCE KILMER AVE, UNIT 5B
NEW BRUNSWICK, NJ 08901

WWW.NOVADOORSANDHARDWARE.COM

HAVE A QUESTION?
NOVA NICK IS HERE TO HELP

718.414.6181

