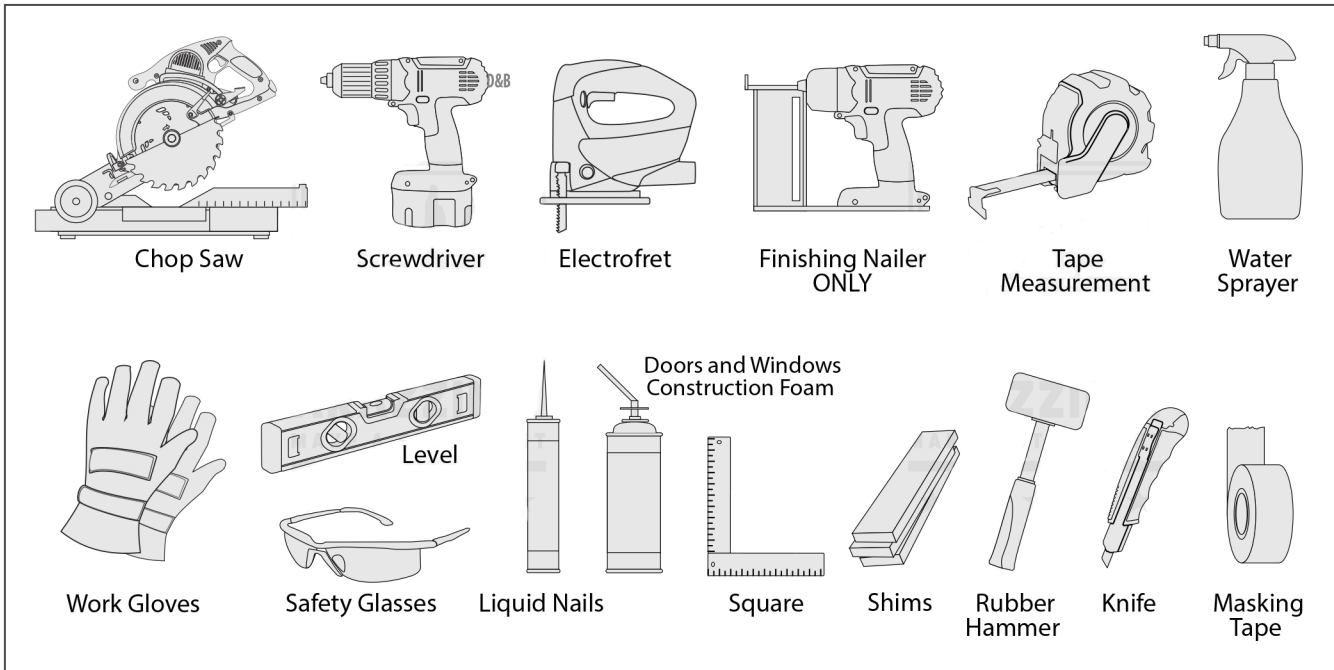
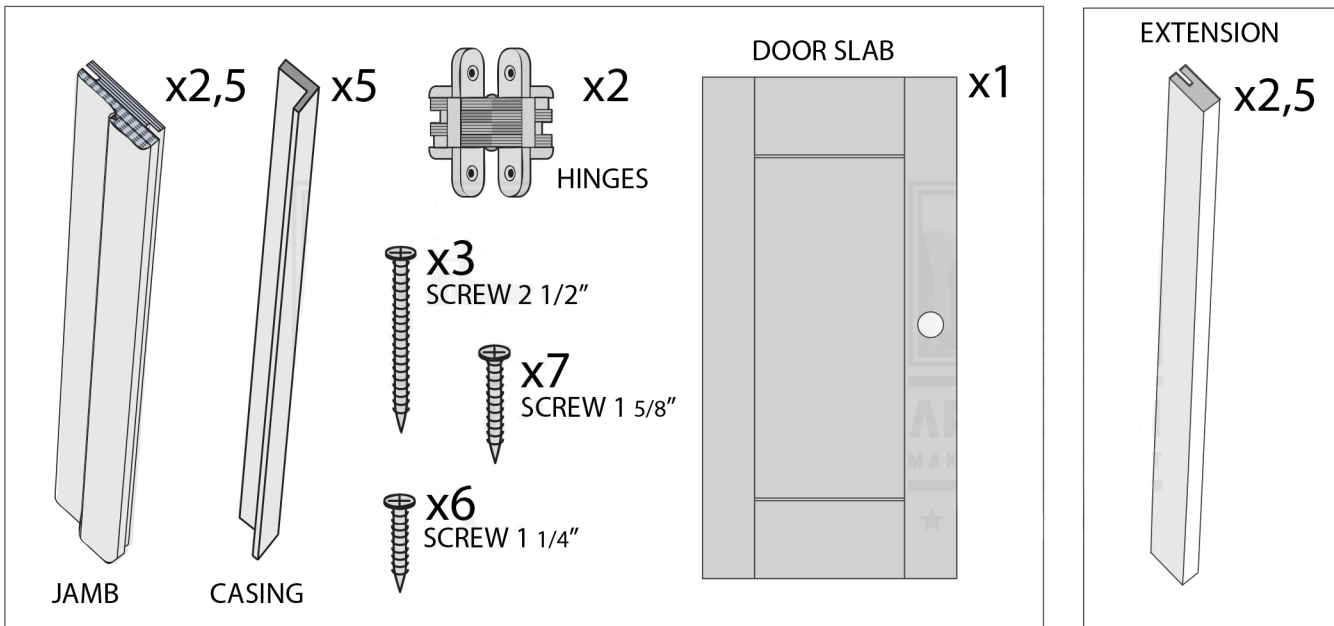


## NECESSARY TOOLS

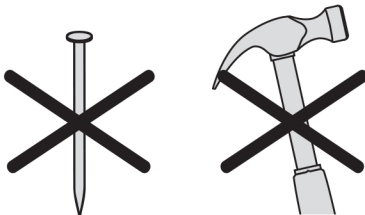


## DOOR PARTS

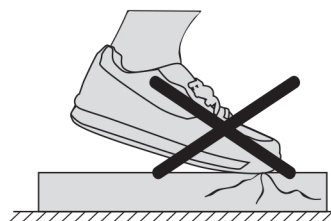


## WARNING!

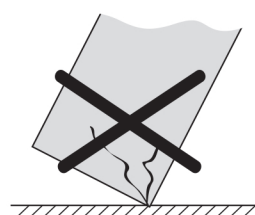
DO NOT USE STANDARD NAILS AND HAMMER



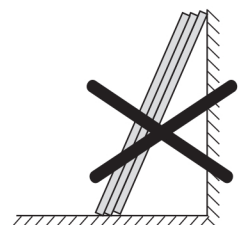
DO NOT STEP ON THE DOOR



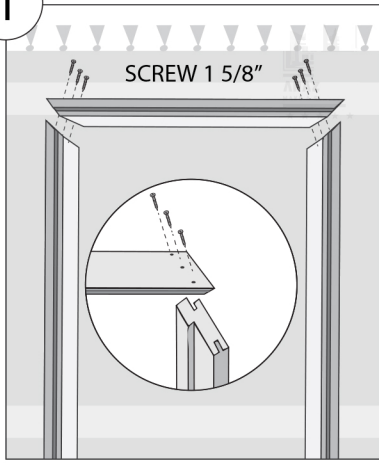
DO NOT LAY DOWN ON EDGES



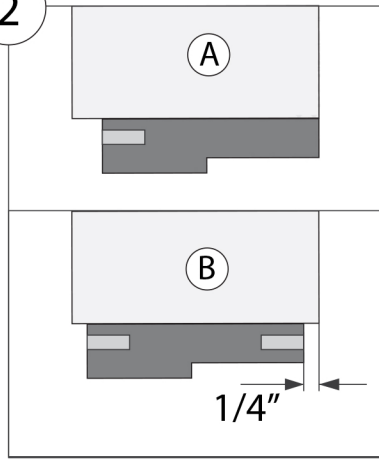
DO NOT LEAN ON THE WALL



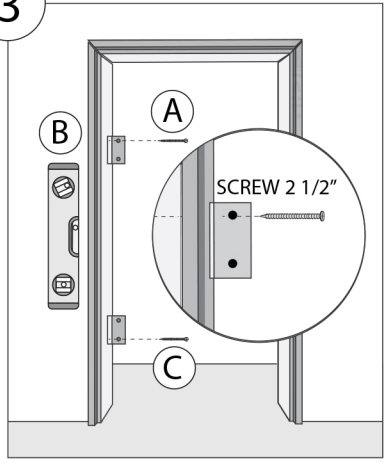
1



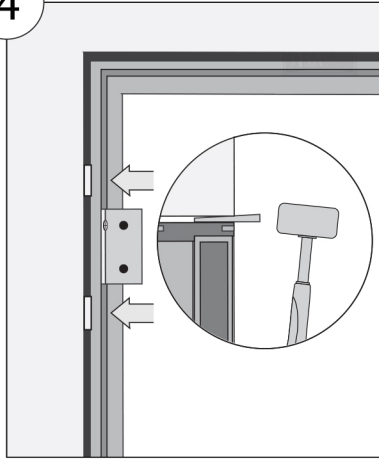
2



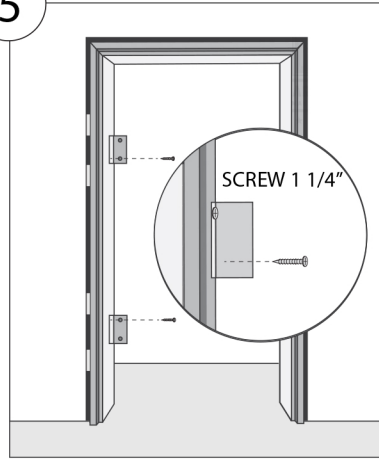
3



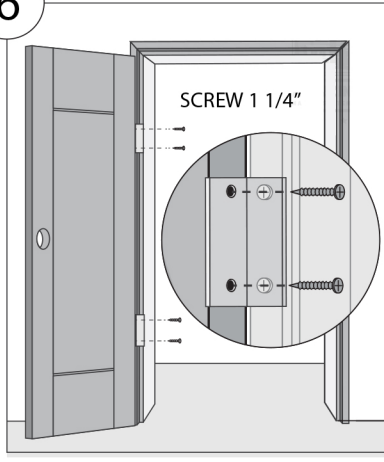
4



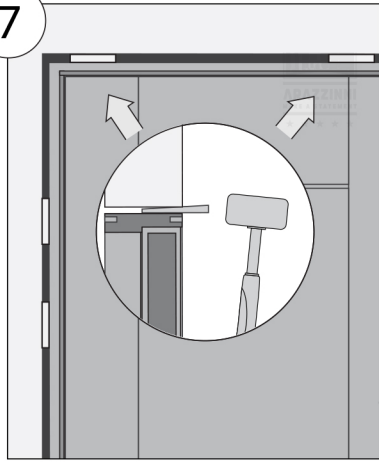
5



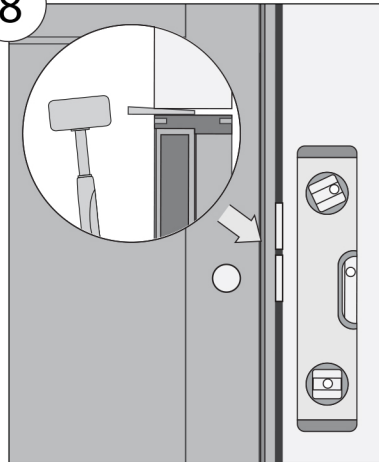
6



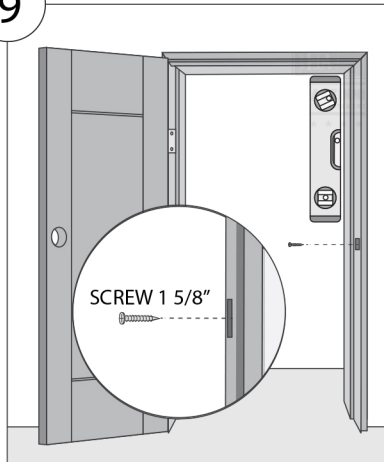
7



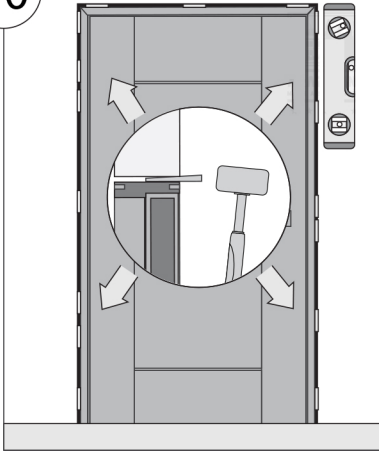
8



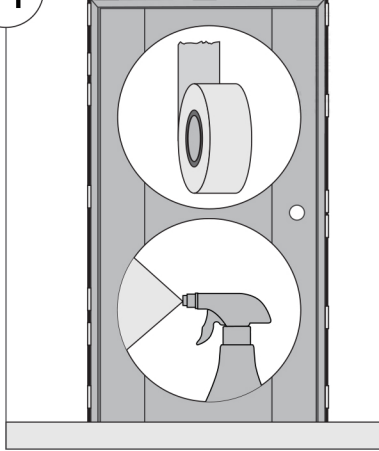
9



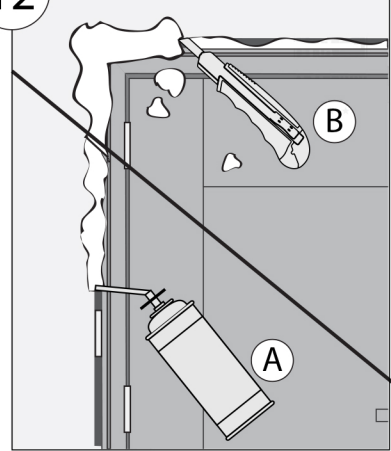
10



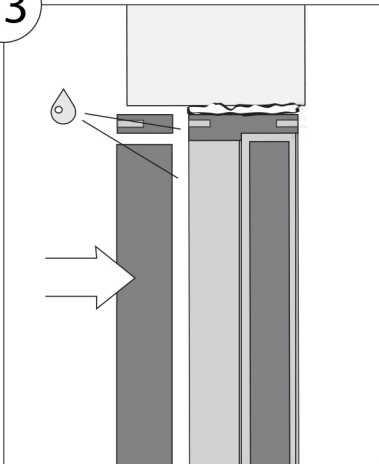
11



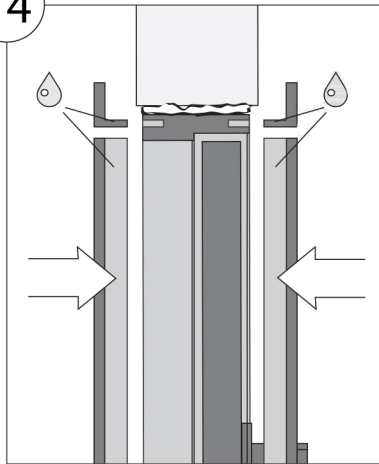
12



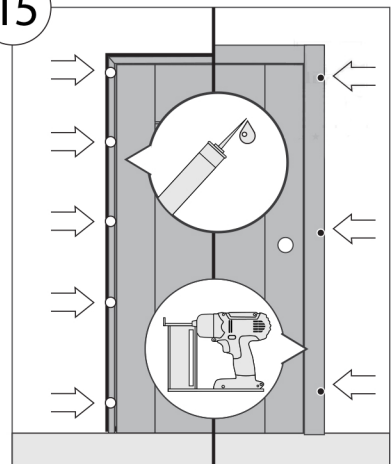
13



14



15



Congratulations  
YOU HAVE FINISHED!