

# User's Manual and Operating Instructions

## Model Numbers:

MAC-12F, MAC-20F-DDF, MAC-20FO-DDF, MAC-20S-DDF, MAC-24-DDF, MAC-24P, MAC-24POSC, MAC-24W, MAC-24WOSC, MAC-30W, MAC-30WOSC, MAC-30-DDF, MAC-30P-DDF, MAC-30POSC, MAC-36DCT-BDF, PT-20F-DDF, PT-20FO-DDF, PT-20S-DDF, PT-24-DDF, PT-30-DDF, PT-30P-DDF

## CONSUMER: READ AND SAVE THESE INSTRUCTIONS

**IMPORTANT:** Read and understand all of the instructions in this manual before assembling, starting, or servicing the fan. Improper use of this fan can cause serious injury. Keep this manual for future reference.

### ⚠ CAUTION

For General Ventilating Use Only. Do Not Use To Exhaust Hazardous Or Explosive Materials And Vapors. Never use the fan in spaces which contain products such as gasoline, solvents, paint thinners, dust particles, volatile or airborne combustibles, or any unknown chemicals.

## Safety Information

### ⚠ WARNING

THIS IS A FAN - NOT A TOY! TO REDUCE THE RISK OF PERSONAL INJURY AND ELECTRIC SHOCK, FANS SHOULD NOT BE PLAYED WITH OR PLACED WHERE SMALL CHILDREN CAN REACH IT.

### ⚠ WARNING

To guard against electric shock while operating, do not allow fan to come in contact with other grounded objects such as pipes, radiators, etc.

### ⚠ WARNING

Risk of fire, electric shock, or personal injury when performing service or maintenance. Unplug or disconnect the fan from the power supply before servicing.

### ⚠ WARNING

CAUTION Automatically Operated Device - To Reduce The Risk Of Injury Disconnect From Power Source Before Servicing

### ⚠ WARNING

To Reduce The Risk Of Fire Or Electric Shock, Do Not Use This Fan With Any Solid- State Speed Control Device.

### ⚠ WARNING

To Reduce The Risk Of Electric Shock And Injury To Persons, Do Not Use In a Window.

### ⚠ WARNING

To Reduce The Risk Of Electric Shock, Do Not Expose To Water Or Rain. This unit is designed for indoor use only.

### ⚠ WARNING

Do not operate any fan with a damaged cord or plug. Discard fan or return to an authorized service facility for examination and/or repair. Do not run cord under carpeting. Do not cover cord with throw rugs, runner, or similar coverings. Do not route cord under furniture or appliances. Arrange cord away from traffic areas and where it will not be tripped over.



**Intertek**



1 Industrial Blvd #101, Sauk Rapids, MN 56379 USA • Toll Free (800) 779-3267  
Fax: 320-251-2922 • Web: [www.pinnacleclimate.com](http://www.pinnacleclimate.com) • Email: [info@pinnacleclimate.com](mailto:info@pinnacleclimate.com)

**NEVER LEAVE A FAN UNATTENDED WHILE OPERATING OR WHILE CONNECTED TO A POWER SOURCE**

**⚠ WARNING**

Installation work and electrical wiring must be done by qualified person(s) in accordance with all applicable codes and regulations.

**⚠ WARNING**

When servicing or replacing a component requires the removal or disconnection of a safety device, the safety device is to be reinstalled or remounted as previously installed before operating this fan.

**⚠ WARNING**

Use this fan only in the manner intended by the manufacturer. If you have any questions, contact Customer Service at 800-641-6996.

- Before operating always check fan for loose or damaged parts. Inspect power cord for any damage. Never use fan if any parts are damaged or missing. Never use fan without safety guards attached.
- Operate only on 120 volt 60 Hz (cycle) current with a minimum of a 15 amp circuit.
- When used with an extension cord, use only cord of proper size (Amp rating), UL listed, and with receptacle to accept three prong grounded plug furnished on the fan's power cord. Always keep power cord and extension cords away from heat, oil, and sharp edges. Inspect cords periodically and replace if damaged.

**12"/20" Floor Fan**

12F  
20F-DDF



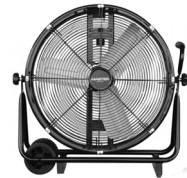
**20" Omni Floor Fan**

20FO-DDF



**24" Barrel Fan**

24-DDF



**36" Cradle Fan**

36DCT-BDF



**30" Floor Fan**

30-DDF



**20"/30" Wall Fan**

24W  
24WOSC  
30W  
30WOSC



**20" Shop Fan**

20S-DDF



**20"/30" Pedestal Fan**

24P  
24POSC  
30P-DDF  
30POSC



**NEVER LEAVE A FAN UNATTENDED WHILE OPERATING OR WHILE CONNECTED TO A POWER SOURCE**

## **24" and 30" Wall Fans: 24W / 24WOSC / 30W / 30WOSC**

### **Wall Mount Installation**

1. Attach fan to wall or ceiling using Upper Bracket.
2. Be sure Upper Bracket is attached to a suitable beam when hanging.

**▲ WARNING** The installer **MUST** be certain that the support bracket is mounted to a minimum of a 2x4" stud, and that it is able to support 50 pounds continuously.

### **Tools Needed:**

- 10 mm Adjustable Wrench.

**NEVER LEAVE A FAN UNATTENDED WHILE OPERATING OR WHILE CONNECTED TO A POWER SOURCE**

**12" & 20" FLOOR FANS / 24" BARREL FANS: 12F / 20F-DDF / 20FO-DDF / 24-DDF**

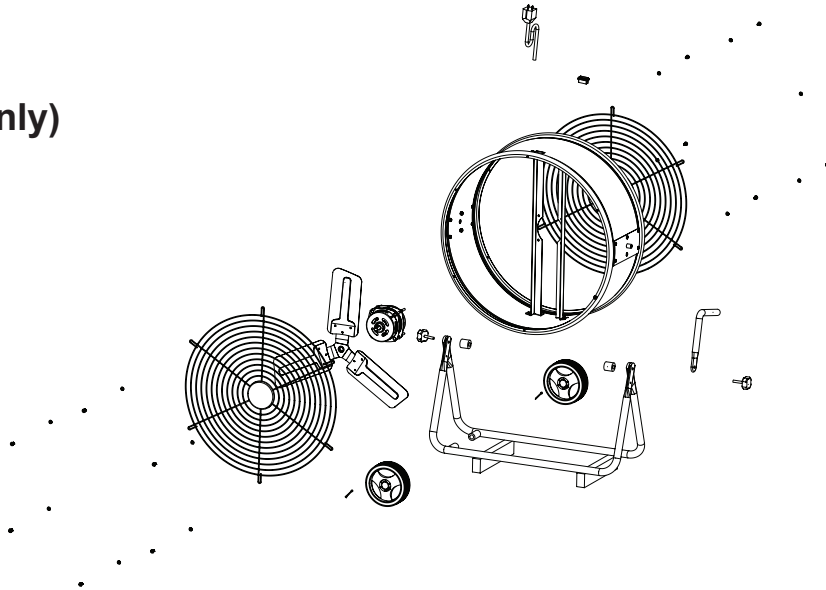
**Installation and Assembly**

**NOTE:** This model CAN NOT be wall mounted.

1. Place the fan on level ground in a safe, desired position then connect to an approved power source.

**24" BARREL FAN**

**Exploded View (24-DDF Only)**

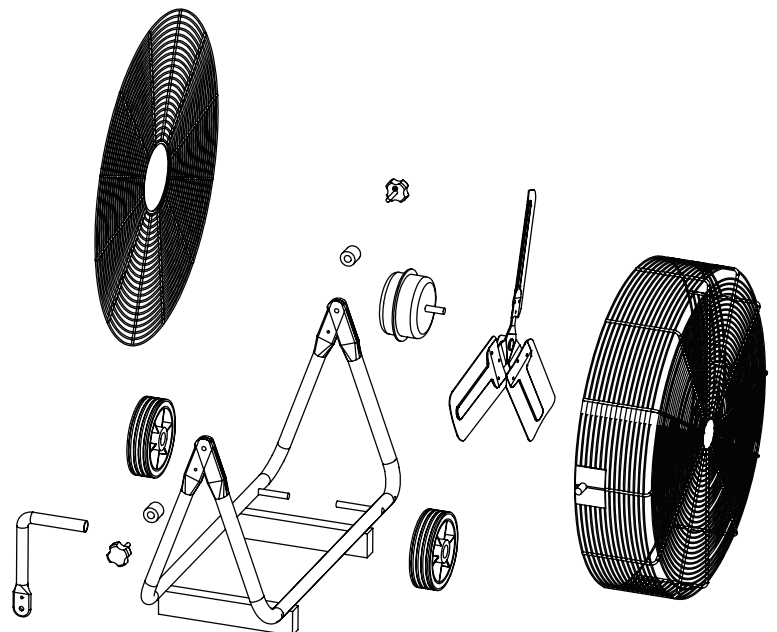


**30" FLOOR FAN / 36" CRADLE FAN: 30-DDF / 36-DCT-BDF**

**Installation and Assembly**

3. Secure wheel with one (1) cotter pin.
4. Place the fan on level ground in a safe, desired position and connect to an approved power source.

**Exploded View (30-DDF Only)**



This 30" Floor Fan (30-DDF-B) is approved for use with California's BAR-97 Emissions Inspection System and meets all BAR-97(EIS) required specifications and standards

## **24" & 30" PEDESTAL FANS: 24P / 24POSC / 30POSC / 30P-DDF**

### **Installation and Assembly**

#### **Tools Needed:**

Pliers

Phillips head screwdriver

Flat head screwdriver

10 mm / adjustable wrench

#### **Parts Included In Box:**

(1) Base

(1) Front Guard

(1) Rear Guard

(1) Motor Assembly

(1) Fan Blade Assembly

(1) Locking Collar

(1) Upper Support Pole

(1) Lower Support Pole

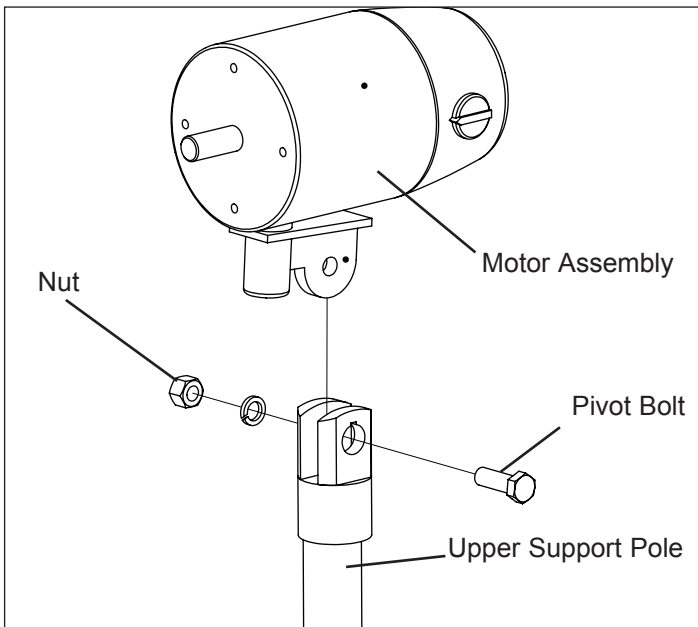


Figure 1: Attaching Motor to Motor Support Assembly

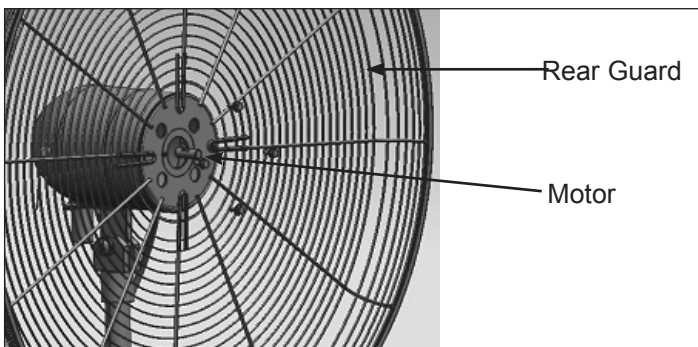


Figure 2: Attaching Rear Guard to Motor

1. Place the base on level ground
2. Mount the support pole to the base. Make sure the holes line up.
3. Secure tightly with 5 flange screws using the wrench.
4. Put down the base cover.
5. Loosen the locking collar screw using the Allen wrench (hex wrench). Extract the upper support pole slowly to adjust the height of the fan.
6. Mount the motor assembly to the connector on the upper support pole. Make sure the holes line up
7. Secure motor assembly with Bolt (M12\*40) and Nut (M12). Tighten the bolt firmly using the wrench.
8. Slide the rear guard on to motor assembly and secure it with 4 flange screws. Tighten the screws firmly using the wrench.
9. Loosen the screw on the back of the fan blade assembly using the Allen wrench (Hex Wrench). Slide the fan blade assembly onto the motor shaft.
10. Attach the front guard to the back guard and secure with the fasteners on the front guard.

**NOTE: This model CAN NOT be wall mounted**

<b>⚠ CAUTION</b>	Do NOT slide fan blade screw beyond the groove on the shaft! This will cause the fan blade to not spin properly and can cause damage to your fan! Be sure that fan shaft is flush with front of fan blade assembly.
------------------	---

**NEVER LEAVE A FAN UNATTENDED WHILE OPERATING OR WHILE CONNECTED TO A POWER SOURCE**

## **20" SHOP FAN: 20S-DDF** **Installation and Assembly**

1. Remove Knob Screw and Wing Nut from top of Post.
2. Slide Connector Bracket onto top of post.
3. Line up holes on the Post and Connector Bracket.
4. Re-insert the Knob Screw through the Post and Connector Bracket and tighten firmly with the Wing Nut.
5. Place the fan on level ground in a safe, desired position then connect to an approved power source.
6. Set desired tripod stand height following "Tripod Operation Instructions" below.

### **Tripod Operation Instructions**

#### **TRIPOD LEG OPERATION**

1. Fold legs out and slide support bracket to center of leg.
2. To adjust leg height; rotate locking ring clockwise to loosen.

**NOTE: Keep a firm grip on the tripod while leg is unlocked! The leg will collapse into itself unless held tightly.**

#### **OPTIONAL CEILING MOUNT**

1. Attach Ceiling Mounting Kit to 2x4" stud that is able to support 50 lbs continuously using M6x40 mm screw. (See Figure 3)

<b>▲ WARNING</b>	The installer <b>MUST</b> be certain that the support bracket is mounted to a minimum of a 2x4" stud, and that it is able to support 50 pounds continuously.
------------------	--

2. Be certain that the Safety Pin lines up with the groove on the Frame. (See Figure 4)

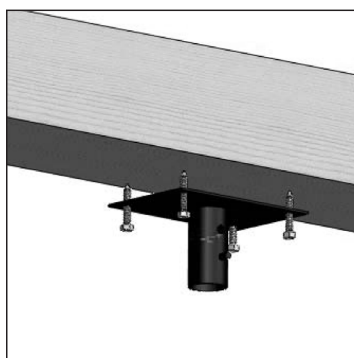


Figure 3:  
Optional Ceiling Mount



Figure 4:  
Optional Ceiling Mount

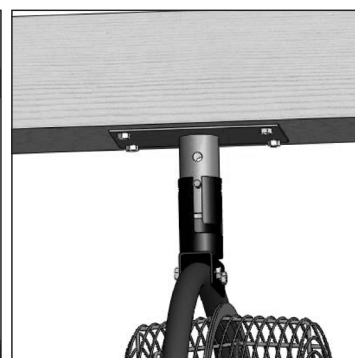


Figure 5:  
Optional Ceiling Mount

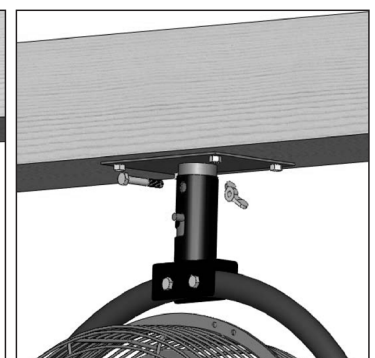


Figure 6:  
Optional Ceiling Mount

**NOTE: Be certain to make all three legs the same height. Setting legs to different heights will make the fan unbalanced and COULD FALL OVER.**

3. Slide leg extension to desired height.
4. Rotate locking ring counter-clockwise and tighten firmly. Be sure the leg is secure before moving to next leg.
5. Repeat steps 2-4 for remaining legs.

#### **TRIPOD CENTER POST OPERATION**

1. To change the post height; rotate locking ring counter-clockwise to unlock post.

**NOTE: Be certain to keep a firm grip on post while unlocked! The fan will slide down to its lowest point if it is not held and slowly moved to desired position.**

2. Raise or lower post to desired position.
3. Rotate locking ring clockwise to lock post and tighten firmly.

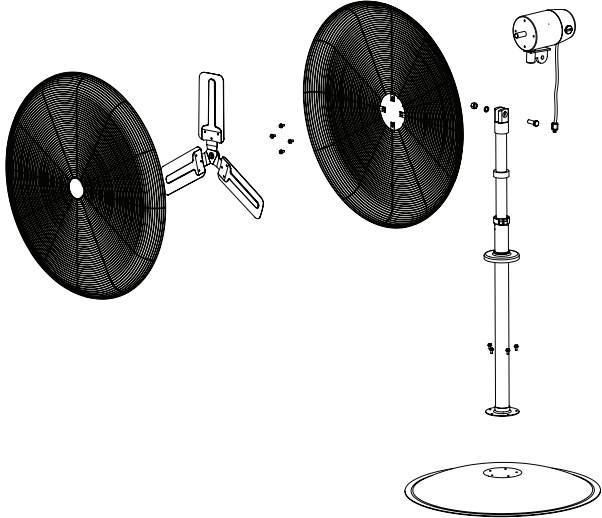
<b>▲ WARNING</b>	DO NOT MOVE OR ADJUST FAN WHILE IN OPERATION. THIS CAN CAUSE DAMAGE TO FAN AND INJURY TO THE OPERATOR.
------------------	--

3. Slide Connector Bracket onto Ceiling Mounting Post. (See Figure 5)
4. Rotate the entire fan so the safety pin locks into place and the holes on the Mounting Post line up with the holes on the Connector Bracket. (See Figure 6)
5. Insert the Base Knob through the Mounting Post and Connector Bracket and tighten firmly with the Wing Nut (See Figure 6)

**NEVER LEAVE A FAN UNATTENDED WHILE OPERATING OR WHILE CONNECTED TO A POWER SOURCE**

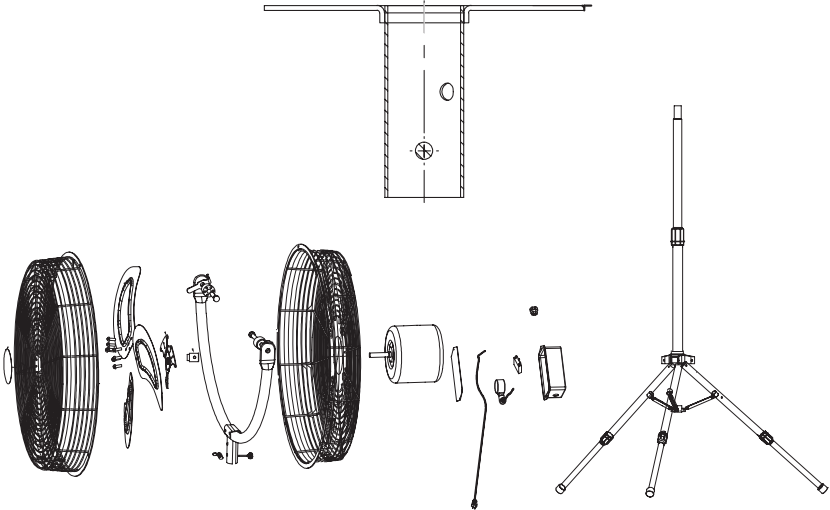
**24" & 30" PEDESTAL FANS**

**Exploded View**



**20" SHOP FAN**

**Exploded View**



# **1 YEAR LIMITED WARRANTY**

**PINNACLE CLIMATE TECHNOLOGIES, INC.** WARRANTS THIS PRODUCT TO THE ORIGINAL RETAIL PURCHASER ONLY, TO BE FREE FROM DEFECTS IN MATERIAL AND WORKMANSHIP FOR A PERIOD OF ONE (1) YEAR FROM THE DATE OF INITIAL PURCHASE. THIS PRODUCT MUST BE PROPERLY INSTALLED, MAINTAINED AND OPERATED IN ACCORDANCE WITH THE INSTRUCTIONS PROVIDED.

**PINNACLE CLIMATE TECHNOLOGIES, INC.** REQUIRES REASONABLE PROOF OF YOUR DATE OF PURCHASE FROM AN AUTHORIZED RETAILER OR DISTRIBUTOR. THEREFORE, YOU SHOULD KEEP YOUR SALES SLIP, INVOICE, OR CANCELLED CHECK FROM THE ORIGINAL PURCHASE. THIS LIMITED WARRANTY SHALL BE LIMITED TO THE REPAIR OR REPLACEMENT OF PARTS, WHICH PROVE DEFECTIVE UNDER NORMAL USE AND SERVICE WITHIN THE WARRANTY PERIOD, AND WHICH **PINNACLE CLIMATE TECHNOLOGIES, INC.** SHALL DETERMINE AT ITS REASONABLE DISCRETION.

THIS WARRANTY DOES NOT APPLY TO PRODUCTS PURCHASED FOR RENTAL USE.

THIS LIMITED WARRANTY DOES NOT COVER REPLACEMENT OF BELTS OR TIGHTENING OF BELTS, OR ANY FAILURES OR OPERATING DIFFICULTIES DUE TO NORMAL WEAR AND TEAR, ACCIDENT, ABUSE, MISUSE, ALTERATION, MISAPPLICATION, IMPROPER INSTALLATION OR IMPROPER MAINTENANCE AND SERVICE BY YOU OR ANY THIRD PARTY. FAILURE TO PERFORM NORMAL AND ROUTINE MAINTENANCE ON THE FAN, SHIPPING DAMAGE, DAMAGE RELATED TO INSECTS, BIRDS, OR ANIMALS OF ANY KIND, AND DAMAGE DUE TO WEATHER CONDITIONS ARE ALSO NOT COVERED. IN ADDITION, THE LIMITED WARRANTY DOES NOT COVER DAMAGE TO THE FINISH, SUCH AS SCRATCHES, DENTS, DISCOLORATION, RUST OR OTHER WEATHER DAMAGE, AFTER PURCHASE.

ALL TRANSPORTATION COSTS FOR THE RETURN OF THE DAMAGED PRODUCT OR PARTS WILL BE THE RESPONSIBILITY OF THE PURCHASER. UPON RECEIPT OF DAMAGED ITEM, **PINNACLE CLIMATE TECHNOLOGIES, INC.** WILL EXAMINE THE ITEM AND DETERMINE IF DEFECTIVE.

**PINNACLE CLIMATE TECHNOLOGIES, INC.** WILL REPAIR OR REPLACE AND RETURN THE ITEM, FREIGHT PRE-PAID. IF **PINNACLE CLIMATE TECHNOLOGIES, INC.** FINDS THE ITEM TO BE IN NORMAL OPERATING CONDITION, OR NOT DEFECTIVE, THE ITEM WILL BE RETURNED FREIGHT COLLECT.

THIS LIMITED WARRANTY IS IN LIEU OF ALL OTHER EXPRESS WARRANTIES. **PINNACLE CLIMATE TECHNOLOGIES, INC.** DISCLAIMS ALL WARRANTIES FOR PRODUCTS THAT ARE PURCHASED FROM SELLERS OTHER THAN AUTHORIZED RETAILERS OR DISTRIBUTORS.

AFTER THE PERIOD OF THE ONE (1) YEAR LIMITED WARRANTY EXPIRES, **PINNACLE CLIMATE TECHNOLOGIES, INC.** DISCLAIMS ANY AND ALL IMPLIED WARRANTIES, INCLUDING WITHOUT LIMITATION THE IMPLIED WARRANTIES OF MERCHANTABILITY AND FITNESS FOR A PARTICULAR APPLICATION. FURTHER, **PINNACLE CLIMATE TECHNOLOGIES, INC.** SHALL HAVE NO LIABILITY WHATSOEVER TO PURCHASER OR ANY THIRD PARTY FOR ANY SPECIAL, INDIRECT, PUNITIVE, INCIDENTAL, OR CONSEQUENTIAL DAMAGES. **PINNACLE CLIMATE TECHNOLOGIES, INC.** ASSUMES NO RESPONSIBILITY FOR ANY DEFECTS CAUSED BY THIRD PARTIES. THIS LIMITED WARRANTY GIVES THE PURCHASER SPECIFIC LEGAL RIGHTS; A PURCHASER MAY HAVE OTHER RIGHTS DEPENDING UPON WHERE HE OR SHE LIVES. SOME STATES DO NOT ALLOW THE EXCLUSION OR LIMITATION OF SPECIAL, INCIDENTAL OR CONSEQUENTIAL DAMAGES, OR LIMITATIONS ON HOW LONG A WARRANTY LASTS, SO THE ABOVE EXCLUSION AND LIMITATIONS MAY NOT APPLY TO YOU.

**PINNACLE CLIMATE TECHNOLOGIES, INC.** DOES NOT AUTHORIZE ANY PERSON OR COMPANY TO ASSUME FOR IT ANY OTHER OBLIGATION OR LIABILITY IN CONNECTION WITH THE SALE, INSTALLATION, USE, REMOVAL, RETURN, OR REPLACEMENT OF ITS EQUIPMENT, AND NO SUCH REPRESENTATIONS ARE BINDING ON **PINNACLE CLIMATE TECHNOLOGIES, INC.**

ALWAYS BE SURE TO SPECIFY **MODEL NUMBER AND SERIAL NUMBER** WHEN MAKING ANY CLAIM WITH **PINNACLE CLIMATE TECHNOLOGIES, INC.** FOR YOUR CONVENIENCE USE THE SPACE PROVIDED BELOW TO LIST THIS INFORMATION:

Model #: \_\_\_\_\_ Serial #: \_\_\_\_\_

Date of Purchase: \_\_\_\_\_