



Professional Grade
Heavy Duty Capabilities

Part #: 74220 VOLT Electric High-Powered Vacuum

Electric high-powered vacuum designed for the needs of many industries!

Intec's VORTEC family of high-powered vacuums offer high productivity with robust engineering to provide the highest value vacuum in today's market. Gas or Electric – we got you covered.

The VORTEC VOLT 220 is quiet, exhausts no fumes, and can be powered by a single dryer outlet. The VOLT 220 vacuum provides for profitable HVAC cleaning, recycling of spray applied insulation, removal of damaged insulation due to fire, water, and smoke, lawn & garden cleanup ... the uses and markets are endless!



VORTEC® VOLT 220

Built-to-Last for High Value Generation

- IMPELLER
 - Oversized to move High Volume
 - Abrasive Resistant steel = long life
- Run Flat WHEELS

- Easy to use – Plug into standard 220V – 30amp circuit, or utilize dryer outlet adaptor (optional) when powering from standard home.
- Variable Frequency Drive ensures smooth powering up and efficient operation.

Engineered for High Productivity

- Thick SHROUD
 - 2X thick Abrasive Resistant steel at wear points
- Highly PORTABLE



integrity
trust

excellence

innovation

800-666-1611

www.inteccorp.com

Click pictures for website link

Rev: 20201230

Intec's Professional Grade Equipment



Engineered for High Productivity

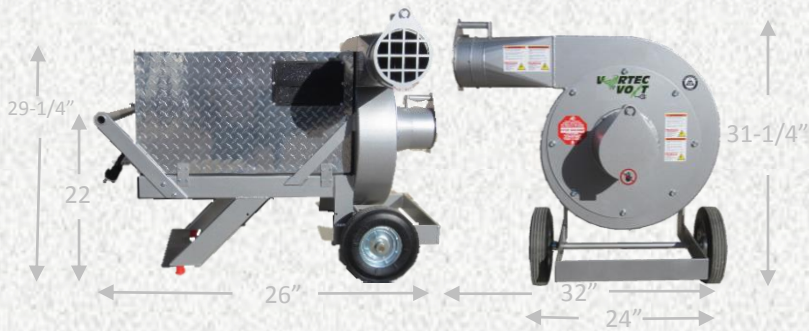
Built-to-Last for High Value Generation



Insulation Blowing Machines



Specifications



- Body: Powder-coated steel with 10" run-flat wheels.
- Weight: 310 lbs (141kg).
- Inlet & Outlet: 6" diameter standard.
- Power Cord: 50' of 10/3 power cord standard.
- Motor: Powered by one 220V – 30amp circuit.
- Fuel: Electricity.
- Large Fan wheel on independent bearing supported shaft with break-away coupler – prolongs engine life & provides for efficient power transfer from engine to impeller.
- Extra thick shroud – 2X thick abrasive resistant steel in main wear area.
- Warranty: 1 year limited.

Specifications subject to change; contact Intec for current specifications

Accessories – can be used with all vacuums



Enhance Safety & Extend the Vacuum's Life.

- ✓ Safety enhanced by limiting foreign objects from exiting vacuum at high speeds.
- ✓ Vacuum's Life extended by preventing foreign materials from entering the vacuum & potentially causing damage to the impeller, shroud, and engine.



Simplify vacuuming pick-up

- ✓ 4" and 6" diameters, 4' and 2' lengths.
- ✓ Swivel hose connector simplifies movement.



shown with VORTEC Beast vacuum

Features

- Thick gauge steel construction with 2X thickness abrasive resistant steel in wear areas.



- Sealed motor area with inlet & outlet filters keeps dust out of engine compartment.
- Handle provides for great lift point and ease in movement.

- Easy to use controls simplify operation.
- Instructions remind operators of key maintenance items.



- Run Flat tires.

- Pivoting inlet & outlet gates promote safe operation.



- Optional dryer plug conversion enables use of 3 or 4 prong dryer receptacle for power source.

- Intec Exclusive Hub Assembly with break-away coupler provides higher power transfer, longer engine life, and better system weight balance!



- ✓ Translucent ~ see product flow
- ✓ Extra durable to resist punctures
- ✓ Smooth interior for enhanced production
- ✓ Blue wear strip extends life



6" diameter vacTUFF hose

4" diameter vacTUFF hose

6" diameter vacTUFF hose

Intec's swivel hose connectors

vacTUBES

Distributed by



Manufactured by

Insulation Technology Corporation, d.b.a. Intec
9251 Bruin Boulevard
Frederick, CO 80504

Click pictures for website link



1-800-666-1611
www.inteccorp.com

Local: 303-833-6644
Fax: 303-833-6650
sales@inteccorp.com