

Aluminum Slant Wall Exhaust Fans

Aluminum slant wall exhaust fans by Schaefer Ventilation are built with heavy-duty, corrosion resistant aluminum for best-in-class durability and longevity. Using only high quality and energy efficient motors, they are designed for exceptional performance and maximum efficiency, and provide low maintenance and operating costs.

The aluminum slant wall exhaust fans are the ideal solution for air exchange and cooling needs in greenhouse application that want an extremely durable fan that will last for many years.

Features:

- All aluminum design for superior durability and corrosion resistance inside and out.
- 5-wing aluminum blade with low solidity ratio for maximum efficiency and airflow and quiet operation.
- Durable aluminum vertical uprights for reliable housing and motor support.
- Aluminum shutter with reduced flapping for greater efficiency.
- Totally enclosed, maintenance free and thermally protected motor for long life and ease of use.
- Belt drive models come equipped with self adjusting idler style belt tensioner for easy adjustment.
- Pre-lubricated, permanently sealed ball bearings with optional remote bearing lubrication system for easy maintenance.
- OSHA inlet and outlet guards available for additional safety.
- Available in belt drive or direct drive.
- Available in galvanized, sizes 24", 30", 36", 42", 48" and 54".
- Ships fully assembled with shutters to be easily installed in field.
- Made in the USA of industrial grade components.

Simply the Best!

[Schaefer 485S112 Galvanized Belt Drive Slantwall Exhaust Fan](#)
[Schaefer 485S1 2 Galvanized Belt Drive Slantwall Exhaust Fan](#)
[Schaefer 485S1 3 Galvanized Belt Drive Slantwall Exhaust Fan](#)
[Schaefer 485S1 Galvanized Belt Drive Slantwall Exhaust Fan](#)
[Schaefer 485S34 Galvanized Belt Drive Slantwall Exhaust Fan](#)
[Schaefer 483S112 Galvanized Belt Drive Slantwall Exhaust Fan](#)
[Schaefer 483S1 2 Galvanized Belt Drive Slantwall Exhaust Fan](#)
[Schaefer 483S1 Galvanized Belt Drive Slantwall Exhaust Fan](#)
[Schaefer 483S34 3 Galvanized Belt Drive Slantwall Exhaust Fan](#)
[Schaefer 425S1 2 Galvanized Belt Drive Slantwall Exhaust Fan](#)
[Schaefer 425S1 Galvanized Belt Drive Slantwall Exhaust Fan](#)
[Schaefer 425S12 Galvanized Belt Drive Slantwall Exhaust Fan](#)
[Schaefer 423S1 2 Galvanized Belt Drive Slantwall Exhaust Fan](#)
[Schaefer 423S1 Galvanized Belt Drive Slantwall Exhaust Fan](#)
[Schaefer 423S34 Galvanized Belt Drive Slantwall Exhaust Fan](#)
[Schaefer 365S34 Galvanized Belt Drive Slantwall Exhaust Fan](#)
[Schaefer 365S12 2 Galvanized Belt Drive Slantwall Exhaust Fan](#)
[Schaefer 365S12 Galvanized Belt Drive Slantwall Exhaust Fan](#)
[Schaefer 363S34 Galvanized Belt Drive Slantwall Exhaust Fan](#)
[Schaefer 363S12 2 Galvanized Belt Drive Slantwall Exhaust Fan](#)
[Schaefer 363S12 Galvanized Belt Drive Slantwall Exhaust Fan](#)
[Schaefer 305S12 2 Galvanized Belt Drive Slantwall Exhaust Fan](#)
[Schaefer 305S12 Galvanized Belt Drive Slantwall Exhaust Fan](#)
[Schaefer 303S12 Galvanized Belt Drive Slantwall Exhaust Fan](#)
[Schaefer 245S34 2 Galvanized Belt Drive Slantwall Exhaust Fan](#)
[Schaefer 245S12 2 Galvanized Belt Drive Slantwall Exhaust Fan](#)
[Schaefer 245S12 Galvanized Belt Drive Slantwall Exhaust Fan](#)
[Schaefer 363SDD12 Galvanized Direct Drive Slantwall Exhaust Fan](#)
[Schaefer 303SDD12 Galvanized Direct Drive Slantwall Exhaust Fan](#)
[Schaefer 245SDD12 50 Galvanized Direct Drive Slantwall Exhaust Fan](#)
[Schaefer 245SDD12 Galvanized Direct Drive Slantwall Exhaust Fan](#)
[Schaefer 485AS112A Aluminum Belt Drive Slantwall Exhaust Fan](#)
[Schaefer 485AS1A Aluminum Belt Drive Slantwall Exhaust Fan](#)
[Schaefer 483AS112A Aluminum Belt Drive Slantwall Exhaust Fan](#)
[Schaefer 483AS1A Aluminum Belt Drive Slantwall Exhaust Fan](#)

Schaefer Aluminum Slant Wall Exhaust Fans

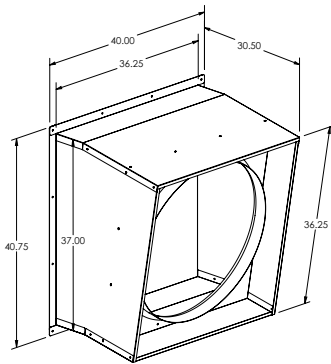
Technical Specifications

| Fan Model | Size | Drive | Blade | HP | Volts | Amps | RPM @ .05" SP | SF | Hz | Ph | Sp | CFM @ .05" SP | CFM/Watt @ .05" | Test # |
|-------------|------|--------|--------|-------|---------|---------|---------------|------|-------|----|----|---------------|-----------------|-------------|
| 305ASDD12 | 30" | Direct | 5-Alum | 1/2 | 115/230 | 7.0/3.5 | 812 | 1 | 60 | 1 | 1 | 6900 | 13.0 | BESS #13531 |
| 305ASDD12-3 | 30" | Direct | 5-Alum | 1/2 | 230/460 | 2.3/1.2 | 852 | 1 | 60/50 | 3 | 1 | 6500 | 13.3 | BESS #13532 |
| 305AS12 | 30" | Belt | 5-Alum | 1/2 | 115/230 | 4.6/2.3 | 596 | 1 | 60 | 1 | 1 | 7000 | 14.3 | SCHAEFER |
| 365ASDD12 | 36" | Direct | 5-Alum | 1/2 | 115/230 | 7.0/3.5 | 573 | 1.0 | 60 | 1 | 1 | 9600 | 22.4 | SCHAEFER |
| 365AS12 | 36" | Belt | 5-Alum | 1/2 | 115/230 | 4.6/2.3 | 496 | 1 | 60 | 1 | 1 | 9500 | 19.5 | SCHAEFER |
| 365AS34 | 36" | Belt | 5-Alum | 3/4 | 115/230 | 7.8/3.9 | 574 | 1.25 | 60 | 1 | 1 | 11,300 | 14.7 | BESS #13535 |
| 365AS34-2 | 36" | Belt | 5-Alum | 3/4 | 230 | 4.4/2.8 | 572 | 1.33 | 60 | 1 | 2 | 11,300 | 13.4 | BESS #13536 |
| 485AS1 | 48" | Belt | 5-Alum | 1 | 115/230 | 8.4/4.2 | 420 | 1.15 | 60/50 | 1 | 1 | 18,600 | 20.7 | SCHAEFER |
| 485AS1-2 | 48" | Belt | 5-Alum | 1 | 230 | 5.3 | 404 | 1 | 60 | 1 | 2 | 17,900 | 19.1 | SCHAEFER |
| 485AS1-3 | 48" | Belt | 5-Alum | 1 | 230/460 | 3.2/1.6 | 412 | 1.25 | 60/50 | 3 | 1 | 18,200 | 19.0 | BESS #13540 |
| 485AS112 | 48" | Belt | 5-Alum | 1-1/2 | 230 | 6.2 | 494 | 1.2 | 60/50 | 1 | 1 | 22,700 | 14.5 | BESS #13539 |
| 485AS112-3 | 48" | Belt | 5-Alum | 1-1/2 | 230/460 | 4.8/2.4 | 491 | 1.25 | 60/50 | 3 | 1 | 22,300 | 14.6 | BESS #13543 |

Performance data available for other static pressures.



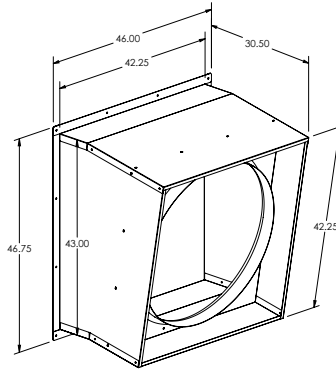
30" Aluminum Slant Wall



Rough-in Size:

37.25 wide x 37.75 in. high
(947 x 959 mm)*

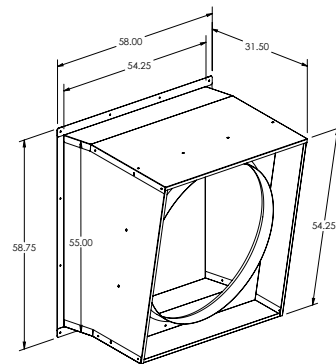
36" Aluminum Slant Wall



Rough-in Size:

43.5 wide x 44 in. high
(1105 x 1118 mm)*

48" Aluminum Slant Wall



Rough-in Size:

55.5 wide x 56 in. high
(1410 x 1423 mm)*

*Suitable for buildings with up to 6" wall thickness using standard rough-in dimensions.

All Models:

- UL and CUL listed, and CSA certified motors
- 2-year warranty
- Spare parts available
- Tested for performance



MADE IN THE USA



Why Choose Schaefer?

- ✓ 60+ years of fan industry experience
- ✓ Made in the USA
- ✓ Best in class product performance
- ✓ Industry leading warranty
- ✓ Reliable on-time delivery
- ✓ Schaefer products and service are **"Simply the Best!"**



Manufactured in Sauk Rapids, MN