



## Instructions for Use

# Rotating Elevated SRD Anchor

This manual is intended to meet the Manufacturer's Instructions as required by ANSI Z359 and should be used as part of an employee training program as required by OSHA. This manual assumes the user has been trained in the use of this equipment.

### WARNING

**This product is part of a personal fall arrest, restraint, work positioning, suspension, or rescue system. A Personal Fall Arrest System (PFAS) is typically composed of an anchorage and a Full Body Harness (FBH), with a connecting device, i.e., a Shock Absorbing Lanyard (SAL), or a Self-Retracting Device (SRD), attached to the dorsal D-ring of the FBH. These instructions must be provided to the user of this equipment. The user must read and understand the manufacturer's instructions for each component or part of the complete system.**

**Manufacturer's instructions must be followed for proper use, care, and maintenance of this product. These instructions must be retained and be kept available for the user's reference at all times. Alterations or misuse of this product, or failure to follow instructions, may result in serious injury or death.**

**A Fall Protection Plan must be on file and available for review by all users. It is the responsibility of the user and the purchaser of this equipment to assure that users of this equipment are properly trained in its use, maintenance, and storage.**

**Training must be repeated at regular intervals. Training must not subject the trainee to fall hazards. When this equipment is in use the employer must have a rescue plan and the means at hand to implement it and communicate that plan to users, authorized persons, and rescuers.**

Consult a doctor if there is reason to doubt your fitness to safely absorb the shock of a fall event. Age and fitness seriously affect a worker's ability to withstand falls. Pregnant women or minors must not use this equipment.

**NOTE:** For more information on American National Standards Institute see ANSI Z359

FallTech  
1306 South Alameda Street  
Compton, CA 90221, USA  
1-800-719-4619  
1-323-752-0066  
[www.falltech.com](http://www.falltech.com)

©2014

## TABLE OF CONTENTS

### 1. DESCRIPTION

### 2. APPLICATION

#### 2.1 Purpose

##### 2.1.1 Personal Fall Arrest System Application:

##### 2.1.2 Restraint

#### 2.2 Application Limits

### 3. SYSTEM REQUIREMENTS

#### 3.1 Capacity

#### 3.2 Compatibility of Connectors

#### 3.3 Compatibility of Components

#### 3.4 Making Connections

#### 3.5 Personal Fall Arrest System

##### 3.5.1 PFAS Anchorage Strength

##### 3.5.2 Restraint Anchorage Strength

#### 3.6 Definitions

### 4. INSTALLATION AND OPERATION

#### 4.1 Anchorage Location

#### 4.2 Fall Clearance Distance

#### 4.3 Swing Fall

#### 4.4 Assemble the Anchor

#### 4.5 Install the Anchor

#### 4.5.1 Wood Structure Roofs

#### 4.5.2 Flat or Pitched Roof

#### 4.6 Install the SRD in the Cradle

##### 4.6.1 Install the FallTech DuraTech SRD in Type A

##### 4.6.2 Install the FallTech Contractor Series SRD in Type A

##### 4.6.3 Install the FallTech Contractor Series SRD in Type B

#### 4.7 Use of Anchor

##### 4.7.1 PFAS

##### 4.8 After a Fall

##### 4.9 At Job Completion

### 5. SPECIFICATIONS:

### 6. MAINTENANCE AND STORAGE

#### 6.1 Storage

#### 6.2 Remove from Service

### 7. INSPECTION

### 8. LABELS

### APPENDIX A

### APPENDIX

### 1. DESCRIPTION

The FallTech® Rotating Elevated SRD Anchor covered in this manual is designed to provide an easily installed rotating, elevated SRD, or lifeline anchorage for persons working at height and subject to fall hazards.

The Rotating Elevated SRD Type Anchor is composed of two assemblies; the SRD cradle and base, and two leg assemblies, each with two legs and attached installation plates. See Table 1 and Figure 1A, 1B, and 1C in Appendix A.

This manual contains two Appendices, Appendix A and Appendix B. Appendix A contains figures and tables specifically applicable to this manual. Appendix B contains figures and tables applicable to fall protection in general. Henceforth, all figure references are to Appendix A, unless otherwise noted. For purposes of this manual, the Rotating Elevated SRD Anchor may be referred to as the anchor, the equipment, the product, or the unit.

The anchor is available in two configurations, Type A and Type B.

Type A is designed to work with two models of SRD, a FallTech DuraTech Series SRD, and the FallTech Contractor Series SRD. Type A employs a cap screw to install the SRD. Two hand wheels are provided to tighten against the SRD body and hold it in position. Type A is also equipped with a D-ring for additional attachment options.

Type B is designed to work with the FallTech Contractor Series SRD only. Type B employs a cap screw for installation.

Both cradles are designed to securely hold the SRD on its side.

The base is common to both types of cradle and is composed of a length of channel iron with the SRD swivel mount and holes for both leg assemblies. The installation plates provide nail and screw holes for installation on the roof of a wood frame structure.

The leg assemblies raise the SRD up to 20.7" above the installation surface to allow the SRD cable to clear stacked building materials on a flat surface. If installed on a roof peak or ridge, the height above a roof peak will vary with the pitch of the roof.

The anchor discussed in this manual meet all applicable OSHA 1926.502 regulations.

### 2. APPLICATION

**2.1 Purpose:** The anchor may be utilized in residential or commercial applications to provide an elevated, rotating anchor for fall arrest and restraint applications.

**2.1.1 Personal Fall Arrest System Application:** A PFAS typically includes an FBH and a deceleration device such as an SAL, an SRD, or a Fall Arrester Connecting Subsystem (FACSS), when used with a rope grab/SAL as shown in Figure 2A. Maximum permissible free fall is six feet.

**Type A** may utilize an SRD (DuraTech or Contractor) installed in the cradle for fall arrest, with a hand-operated clamp system to hold the installed SRD upright during use. Type A is also equipped with a D-ring for attachment of a Fall Arrester Connecting Subsystem (FACSS). When the SRD is being used for fall arrest, the D-ring may not be used; when the D-ring is being used for fall arrest, the SRD may not be used. Only one fall arrest system may be used at one time.

**Type B** may use the Contractor Series SRD in fall arrest applications only.

**2.1.3 Restraint:** The bolted D-ring on Type A may be used in a restraint application. Restraint applications typically include an anchor and a lanyard or tether to prevent the user from reaching a fall hazard area. See Figure 2B. Do not use an SRD for restraint applications.

**2.2 Application Limits:** Take action to avoid sharp edges, abrasive surfaces, and thermal, electrical, and chemical hazards. Do not use the anchor on any roof with a pitch greater than 12:12. The anchor is not suited for use in work positioning, personnel riding, or suspension. Rescue applications are beyond the scope of this manual. See OSHA 1926.502.

### 3. SYSTEM REQUIREMENTS

**3.1 Capacity:** The capacity of the anchors in Specifications is listed as 425 lbs. (193 kg). To maintain an ANSI compliant PFAS, limit user weight, including tools, clothing, etc., to 310 lbs.

**NOTE:** Any use by any worker exceeding a total user weight of 310 lbs. (including tools and equipment) must utilize a PFAS designed for such weight. No more than one PFAS may be connected to one anchorage at one time.

**3.2 Compatibility of Connectors:** Connectors are considered to be compatible with connecting elements when they have been designed to work together in such a way that their sizes and shapes do not cause their gate mechanisms to inadvertently open regardless of how they become oriented. Contact FallTech if you have any questions about compatibility. Connectors must be compatible with the anchorage or other system

components. Do not use equipment that is not compatible. Non-compatible connectors may unintentionally disengage. Connectors must be compatible in size, shape, and strength.

**3.3 Compatibility of Components:** Equipment is designed for use with approved components and subsystems only. Substitutions or replacements made with non-approved components or subsystems may jeopardize compatibility of equipment and may affect the safety and reliability of the complete system.

**3.4 Making Connections:** Only use self-locking snap hooks and carabiners with this equipment. Only use connectors that are suitable to each application. Ensure all connections are compatible in size, shape, and strength. Do not use equipment that is not compatible. Visually ensure all connectors are fully closed and locked. Connectors (snap hooks and carabiners) are designed to be used only as specified in each product's user's instructions. See Figure 13 in Appendix B.

**3.5 Personal Fall Arrest System:** PFAS components used with this equipment must meet ANSI Z359 requirements and applicable OSHA regulations, unless specified otherwise in user instructions. A FBH must be worn when this equipment is used as a component of a PFAS. As required by OSHA, the personal fall arrest system must be able to arrest the user's fall with a maximum arresting force of 1,800 lbs., and limit the free fall to 6 feet or less. When a free fall greater than 6 feet is possible, to a maximum of 12 feet, ANSI requires using a PFAS designed for a greater free fall.

**3.5.1 PFAS Anchorage Strength:** An anchorage selected for PFAS must have a strength able to sustain a static load applied in the direction permitted by the PFAS of at least:

- a) Two times the maximum arrest force permitted when certification exists, or
- b) 5,000 lbs. (22.2 kN) in the absence of certification.

**3.5.2 Restraint Anchorage Strength:** An anchorage selected for restraint must have a strength able to sustain a static load applied in the direction permitted by the system of at least:

- a) Two times the foreseeable force when certification exists, or
- b) 1,000 lbs. (4.4 kN) in the absence of certification.

**3.6 Definitions:** The following are definitions of terms as defined in ANSI Z359.0-2007.

**Authorized Person:** A person assigned by the employer to perform duties at a location where the person will be exposed to a fall hazard (otherwise referred to as "user" for the purpose of these instructions).

**Certified Anchorage:** An anchorage for fall arrest, positioning, restraint, or rescue systems that a qualified person certifies to be capable of supporting the potential fall forces that could be encountered during a fall or that meet the criteria for a certified anchorage prescribed in the standard.

**Competent Person:** One who is capable of identifying existing and predictable hazards in the surroundings or working conditions which are unsanitary, hazardous, or dangerous to employees, and who has authorization to take prompt corrective measures to eliminate them.

**Qualified Person:** A person with a recognized degree or professional certificate and with extensive knowledge, training, and experience in the fall protection and rescue field who is capable of designing, analyzing, evaluating and specifying fall protection and rescue systems to the extent required by the standard.

**Rescuer:** Person or persons other than the rescue subject acting to perform an assisted rescue by operation of a rescue system.

## 4. INSTALLATION AND OPERATION

### WARNING

**Do not alter or intentionally misuse this equipment. Consult Fall Tech when using this equipment in combination with components or subsystems other than those described in this manual. Some subsystem and component combinations may interfere with the operation of this equipment.**

**DO NOT** use any anchor discussed in this manual until the system has been completely installed, inspected, and approved for use by a competent person.

**NOTE:** Approved fall protection may be required during installation of all anchorage units discussed in this manual.

**4.1 Anchorage Location:** Select a suitable anchorage point that will support the strength requirement and minimize free fall and swing hazards. See Section 3 of this manual for anchorage strength requirements. See paragraph 4.4 for additional anchorage location information.

**DO NOT** work above the anchorage.

**4.2 Fall Clearance Distance:** Take action to reduce the danger of falls. Ensure sufficient clearance in the fall area to arrest the fall before striking the ground or other objects. The actual clearance required is dependent upon the type of connecting subsystem used (energy absorbing lanyard, self-retracting device, etc.). Refer to connecting subsystem manufacturer's instructions for fall clearance information.

The user must be aware that a fall event may cause the anchor support legs to absorb energy and collapse a certain distance. Add one foot to the calculated Fall Clearance Distance. Swing fall conditions will increase the Clear Fall requirement.

**4.3 Swing Fall:** Swing falls occur when the anchorage point is not directly above the point where a fall occurs. The total fall distance may be greatly increased during a swing fall. The force of striking an object in a swing fall may cause serious injury. Swing falls while using an SRD may increase the fall clearance required and may increase swing fall forces. Use caution. Minimize swing falls by installing anchors at least six feet from exposed roof edges and by working as directly below the anchorage point as possible. See Figure 3.

**4.4 Assemble The Anchor:** The anchor is shipped partially assembled. The user must assemble the legs to the base. Remove the unit from the shipping box. Ensure all parts, components, and fasteners of the anchor are present, as defined in Figure 1A and Figure 1B.

Identify the components and subassemblies;

- One SRD cradle, Type A or B, already installed on a cradle base. See Figure 4A or 4B.
- Two anchor support leg assemblies, with the leg bracing bolts already installed. Do not remove the bracing bolts.
- Two 3/8"-16 x 4.5" long hex cap screws and two nylon locking nuts

With the components and subassemblies identified, follow these steps;

1. Place the leg assembly base in the anchor support leg assembly with the installation plates oriented as shown in Figure 4 (A or B).
2. Insert one of the 3/8"-16 x 4.5" long Grade 5 hex cap screws through the legs and base holes.
3. screw the locking nut onto the cap screw finger tight
4. Repeat step 1 with the other end of the base and the remaining leg assembly, line up the holes, insert the cap screw, and screw on the locking nut, finger tight.
5. Spread the support legs all the way to the bracing bolts. Ensure the installation plates are correctly oriented. Tighten the nylon lock nuts securely, until a minimum of 3 thread pitches shows outside the nut. Do not over tighten.
6. Ensure the centerlines of the installation plates are a nominal 24" apart.

Once the unit is assembled, do not disassemble. Repeated use of the nylon lock nut degrades the nylon lock element.

**4.5 Install the Anchor:** The anchor is designed to be installed on wood structure roofs, on top of the sheathing, directly over a truss or rafter. Installations of the anchor discussed in this manual require a competent person verify that the surface and substrate to which the anchor is being installed will meet the requirements detailed in this manual. It is the responsibility of the competent person to ensure any installation of this anchor meets OSHA regulations. Be aware of any hazards and plan the installation with user safety in mind. Ensure the installation plates are pointed outwards and that all installation plates are located directly over a truss or rafter. Sheathing has a minimum material thickness of 5/8". Truss or rafters must have minimum dimensions of 1-3/4" by 3-3/4". Ensure the anchor legs are fully deployed and are against the bracings bolts when the anchor is installed. Two types of installation fasteners are provided; lag screws and 16d nails.

Choose the installation location carefully. See Figure 5.

Follow these steps:

1. Place the anchor at the chosen location on top of the sheathing, either on the field or over the peak as shown in Figure 6A. Ensure the holes in the installation plates line up directly over the center of a truss or rafter. Note that the installation plates point down the slope. Do not install the anchor with the installation plates in the wrong direction.
2. Ensure the pitched legs are fully deployed, with the bracing cap screw against the cradle base.
3. If using the provided lag screws, drill a 3/16" by 2-1/2" pilot hole in each of the screw holes in the installation plates as shown in Figure 6B. Drive the twelve 1/4" by 2-1/2" lag screws in all the predrilled anchor screw holes. Do not over tighten.
4. If using the provided nails, drive a 16d nail into every nail and screw hole in every installation plate as shown in Figure 6B. Ensure 24 nails are driven in to the trusses.

#### **DO NOT**

- install an anchor directly onto a wooden truss without sheathing substrate
- install the anchor on unsupported roof areas such as eaves, gables and overhangs or within six feet of any edge

**4.5.2 Flat or Pitched Roof:** The anchor may be installed on flat or pitched roofs provided the correct fasteners are used to install on the correct surface, over the correct substrate. The anchor may be installed in the center of the ridge or peak, with two installation plates on either side, to provide 360° anchor rotation and access to both sides of the roof. Pitched roofs of extremely high pitch may not allow the anchor installation plate complete contact with the roof surface. Use caution when working on highly pitched roofs. Inspect the SRD orifice where the cable emerges from the body. Highly pitched roofs will cause the cable to abrade the orifice and significantly accelerate wear. Inspect the cable and orifice carefully. Use caution. Do not install the anchor on a roof pitch greater than 12:12.

**4.6 Install the SRD in the Cradle:** The SRD must be installed in a compatible cradle. Type A is compatible with the FallTech DuraTech Series SRD and the FallTech Contractor Series SRD. Type B is compatible only with Contractor Series SRD. See Table 8C.

#### **4.6.1 Install the FallTech DuraTech SRD in Type A .**

1. Open the hand operated adjustment clamps completely.
2. Place the SRD on its side in the cradle as shown in Figure 7A.
3. Insert the 5/8 inch x 4 inch Grade 5 hex head securing cap screw through the side mounting hole, through the SRD handle, and out the opposite side mounting hole.
4. Screw the nut onto the cap screw. Tighten the nut on the cap screw until a minimum of 3 thread pitches protrude from the nylon lock nut. Do not bend the cradle by over tightening the nut.
5. Tighten the hand clamp adjustment knobs by hand until the SRD is held securely upright in the cradle. Ensure the SRD is centered in the cradle. Do not over tighten.

#### **4.6.2 Install the FallTech Contractor Series SRD in Type A .**

1. Open the hand operated adjustment clamps completely.
2. Attach an approved carabiner to the attachment eye on the SRD.
3. Place the SRD on its side in the cradle with the handle up as shown in Figure 7A
4. Insert the 5/8 inch x 4 inch Grade 5 securing cap screw through the cradle side mounting hole, through the carabiner, and out the opposite side mounting hole. Screw the nut onto the cap screw.
5. Tighten the nylon-locking nut on the cap screw until a minimum of 3 thread pitches protrude from the nut. Do not over tighten.

Tighten the adjustment knobs by hand until the SRD is held securely upright in the cradle. Do not over tighten.

#### **4.6.3 Install the FallTech Contractor Series SRD in Type B .**

1. Attach an approved carabiner to the attachment eye on the SRD.
2. Lay the SRD on its side in the cradle as shown in Figure 7A
3. Insert the 5/8 inch x 6-1/2 inch Grade 8 hex head securing cap screw through the side mounting hole, through the top eye of the SRD, and out the opposite side mounting hole.
4. Screw the nylon-locking nut onto the cap screw.
5. Tighten nut on the cap screw until a minimum of 3 thread pitches protrude from the nut. Do not over tighten.

**DO NOT** attach fall protection connectors to the SRD securing bolts in either cradle. These bolts are for attachment of an SRD to the cradle only. See Figure 7B.

**4.7 Use of the Anchor:** The anchor is designed to provide an elevated, rotating anchor for a PFAS, or for restraint.

**4.7.1 PFAS:** A Personal Fall Arrest System is a system of components and connectors used to safely arrest the fall of a worker from an elevated walking/working surface. The SRD in the cradle (Contractor Series or DuraTech Series) is the primary application of fall arrest for the Type A , and the only application for Type B .

The D-ring of Type A is an alternate use of the anchor for fall arrest application, which would consist of a SAL with an FBH, or a FACSS, which is a vertical lifeline, combined with a shock-absorbing lanyard, a fall arrester, and an FBH. See paragraph 4.5.

Consult the body wear, connectors, and deceleration device manufacturer's user instructions for procedures to connect and use the anchor.

**DO NOT**

- use an SRD for restraint applications.
- attach any alternate system to the SRD securing bolts. The bolts are for SRD attachment only.
- connect an SRD to the cradle D-ring
- attach anything to the anchor discussed in the manual in any manner not described in this manual.

**4.8 After a Fall:** Any equipment subjected to fall arrest forces or exhibiting damage consistent with the effect of a fall event must be removed from service immediately.

**4.9 At Job Completion:** At job completion, remove the anchor by removing the fasteners. Take caution and avoid damaging the installation plates. Apply caulk or sealant to holes. The user must make any necessary roof or structural repairs that result from installation, use, and de-installing the anchor.

**5. SPECIFICATIONS**

See Table 1.

**6. MAINTENANCE AND STORAGE**

Keep the anchor and associated components clean, dry, and free of dirt, paint, or any other debris that might impede its function. Apply a silicone lubricating spray to the hand clamp threads and the swivel cap screw.

**6.1 Storage:** When not installed, store in a clean, dry area. Avoid direct sunlight and exposure to environmental elements. Do not place other equipment or objects on top of the anchors. Do not store in a manner that would allow other equipment to bend, crack, contaminate, or otherwise damage the unit. Ensure the SRD cable is fully retracted.

**6.2 Remove From Service:** Remove the anchor from service if it has been subjected to fall arrest forces or fails inspection.

**7. INSPECTION OF ROTATING SRD ANCHOR**

Prior to each use, the user must inspect the anchor for any physical damage, wear, corrosion, or missing parts. If the anchorage has been subjected to fall arrest forces it must be removed from service.

Inspect the anchor, the cradle, and the SRD or any other fall arrest or restraint system for:

1. cracks or fractures in connectors, the cradle, or the SRD.
2. broken welds or rings
3. corrosion
4. bent plates or rings
5. a build-up of contaminants
6. worn or grooved orifice fitting on the SRD
7. broken cable strands, "fishhooks"



If routine inspection reveals damage to the anchor, discontinue use and remove it from service.

A semi-annual visual inspection by a competent person to ensure the legs are straight and the fastener holes in the mounting plates are at a nominal 24" center to center is required.

**8. LABELS**

The following labels must be present and legible.

  <p>Inspect the anchor before each use. Semi-annual inspection by a competent person is recommended. Do not use if inspection reveals unsafe or defective condition. Remove the anchor from service immediately if it has been subjected to fall arrest forces. See the user instruction manual for complete inspection procedures. Attach fall protection subsystem to D-ring or to an SRD installed in the cradle. Do not attach any subsystem or device to the D-ring while an installed SRD is being used. Do not use the SRD (if installed) when the D-ring is being used as a fall protection anchor. Attachments via carabiner must with an ANSI Z359.12-2009 compliant carabiner. A Rotating Elevated SRD Anchor installed over the ridge must be free to spin 360° to maintain proper load direction. Do not work above a Rotating Elevated SRD installed on the field. See the user instruction manual for complete use details.</p> <p style="text-align: center;"><b>DO NOT REMOVE LABEL.</b></p>	MARK ON DATE GRID A) INITIAL SERVICE DATE    B) DATE OF PASSED INSPECTION IF UNIT FAILS INSPECTION REMOVE IT FROM SERVICE												
		J	F	M	A	M	J	J	A	S	O	N	D
	2014												
	2015												
	2016												
2017													

		<p style="text-align: center;"><b>Install the SRD In A Compatible Cradle</b></p>
<p><b>DuraTech SRD in Anchor Type A.</b> Open the hand adjustment clamps. Place the SRD on its side in the cradle. Insert the 5/8 inch x 4 inch Grade 5 hex head securing bolt through the side mounting hole, through the SRD handle, and out the opposite side mounting hole. Tighten the lock nut on the bolt. Do not over tighten. Adjust the hand clamp to secure the SRD upright.</p> <p><b>Contractor Series SRD in Anchor Type A.</b> Open the hand adjustment clamps. Attach a carabiner to the attachment eye on the SRD. Place the SRD on its side in the cradle. Insert the 5/8 inch x 4 inch securing bolt through the cradle side mounting hole, through carabiner, and out the opposite side mounting hole. Tighten the lock nut. Do not over tighten.</p> <p><b>Contractor Series SRD in Anchor Type B.</b> Place the SRD on its side in the cradle. Insert the 5/8 inch x 6-1/2 inch Grade 8 hex head securing bolt through the side mounting hole, through the top eye, and out the opposite side mounting hole. Screw the nut onto the bolt. Tighten nut on the bolt. Do not over tighten. See the Rotating Elevated SRD Anchor User Instruction Manual for complete installation procedures.</p> <p><b>INSTALL THE ANCHOR ON A WOOD STRUCTURE ROOF:</b> Locate the anchor in accordance with the roof site plan, either over the ridge or on the field. Place the anchor on the sheathing. Line up the installation plates directly over a truss or rafter. May be installed with the provided screws or nails. Pre-drill the screw holes with a 3/16" drill bit. Drive in the twelve 1/4"-14 x 2-1/2" lag screws. To install with nails, drive in the provided 24 16d nails, six nails in each installation plate. Ensure fasteners engage the center of the truss or rafter. See the user instruction manual for complete installation procedures.</p> <p style="text-align: center;"><b>DO NOT REMOVE LABEL.</b></p>		

**FALLTECH**

800.719.4619 [www.falltech.com](http://www.falltech.com)

Model#: 7395C

Rotating Elevated SRD Anchor

Materials: Steel

Capacity: 130 - 310 lbs including clothing, tools, etc.

OSHA 1926.500 - 503 Compliant to 3600 lbs.

**WARNING**

WARNING: THIS EQUIPMENT IS DESIGNED FOR USE AS A FALL PROTECTION ANCHOR. USER MUST READ AND FOLLOW INSTRUCTIONS SUPPLIED WITH THIS PRODUCT AT TIME OF SHIPMENT. FAILURE TO DO SO MAY RESULT IN SERIOUS INJURY OR DEATH. AVOID CONTACT WITH SHARP EDGES, ABRASIVE SURFACES, CHEMICALS, SALT WATER, ACIDS, AND ALKALINES. MAKE ONLY COMPATIBLE CONNECTIONS. SEE INSTRUCTIONS FOR RESTRICTIONS ON USE WITH COMPONENTS, SUBSYSTEMS, OR SYSTEMS WITH WHICH THIS PRODUCT IS DESIGNED TO BE USED. SEE INSTRUCTIONS FOR INSPECTION PROCEDURES..

Date of Mfr:

Serial #:

**DO NOT REMOVE LABEL.**



## Instrucciones para usar

# Anclaje con SRD rotatorio elevado

Este manual está destinado a cumplir con las instrucciones del fabricante, según lo requerido por ANSI Z359 y debe utilizarse como parte de un programa de capacitación para empleados según se requiere por la OSHA. Este manual asume que el usuario ha sido capacitado en el uso de este equipo.

### ADVERTENCIA

**Este producto es parte de un sistema personal de detención de caídas, de restricción, posicionamiento del trabajo, suspensión o de rescate. Un Sistema personal de detención de caídas (PFAS, por sus siglas en inglés) por lo general está compuesto de un anclaje y un Arnés de cuerpo completo (FBH, por sus siglas en inglés), con un dispositivo de conexión, es decir, una Cuerda de salvamento con amortiguación (SAL, por sus siglas en inglés), o un Dispositivo autorretráctil (SRD, por sus siglas en inglés), conectado al anillo en "D" dorsal del FBH. Estas instrucciones se deben proporcionar al usuario de este equipo. El usuario debe leer y comprender las instrucciones del fabricante para cada componente o parte del sistema completo.**

**Las instrucciones del fabricante deben seguirse para el uso, cuidado y mantenimiento correctos de este producto. Estas instrucciones deben conservarse y mantenerse disponibles para consulta del usuario en todo momento. Las alteraciones o el uso indebido de este producto o no seguir las instrucciones pueden causar lesiones graves o la muerte.**

**Un Plan de protección contra caídas debe estar archivado y disponible para su revisión por parte de todos los usuarios. El usuario y el comprador de este equipo tienen la responsabilidad de asegurarse de que los usuarios de este equipo están debidamente capacitados sobre su uso, mantenimiento y almacenamiento.**

**La capacitación se debe repetir a intervalos regulares. La capacitación no debe someter a los usuarios a peligros de caídas.**

**Cuando este equipo está en uso, el empleador debe tener un plan de rescate y los medios a la mano para implementarlo, y debe comunicar el plan a los usuarios, las personas autorizadas y al personal de rescate.**

Consulte a un médico si hay razones para dudar de su aptitud para absorber con seguridad el impacto de un evento de caída. La edad y el estado físico afectan gravemente a la capacidad de los trabajadores para soportar caídas. Las mujeres embarazadas y los menores de edad no deben utilizar este equipo.

**NOTA:** Para obtener más información sobre el Instituto Nacional de Normas de los Estados Unidos, consulte ANSI Z359.

FallTech  
1306 South Alameda Street  
Compton, CA 90221, USA  
1-800-719-4619  
1-323-752-0066  
[www.falltech.com](http://www.falltech.com)

©2014

## ÍNDICE

### 1. DESCRIPCIÓN

### 2. APLICACIÓN

#### 2.1 Objetivo

2.1.1 Aplicación del Sistema personal de detención de caídas:

2.1.2 Restricción

#### 2.2 Límites de la aplicación

### 3. REQUISITOS DEL SISTEMA

#### 3.1 Capacidad

#### 3.2 Compatibilidad de conectores

#### 3.3 Compatibilidad de componentes

#### 3.4 Realizar las conexiones

#### 3.5 Sistema personal de detención de caídas

3.5.1 Resistencia del anclaje del PFAS

3.5.2 Resistencia del anclaje de restricción

#### 3.6 Definiciones

### 4. INSTALACIÓN Y OPERACIÓN

#### 4.1 Ubicación del anclaje

#### 4.2 Distancia de caída despejada

#### 4.3 Caída con balanceo

#### 4.4 Ensamblaje del anclaje

#### 4.5 Instalar el anclaje

4.5.1 Techos con estructuras de madera

4.5.2 Techo plano o con tejado a dos aguas

#### 4.6 Instalar el SRD en el soporte

4.6.1 Instalar el SRD DuraTech de FallTech en el Tipo A

4.6.2 Instalar el SRD Contractor Series de FallTech en el Tipo A

4.6.3 Instalar el SRD Contractor Series de FallTech en el Tipo B

#### 4.7 Uso del anclaje

##### 4.7.1 PFAS

##### 4.8 Después de una caída

##### 4.9 Al concluir el trabajo

### 5. ESPECIFICACIONES

### 6. MANTENIMIENTO Y ALMACENAMIENTO

#### 6.1 Almacenamiento

#### 6.2 Retirar de servicio

### 7. INSPECCIÓN

### 8. ETIQUETAS

### APÉNDICE A

### APÉNDICE

### 1. DESCRIPCIÓN

El Anclaje con SRD rotatorio elevado de FallTech® cubierto en este manual está diseñado para proporcionar un SRD rotatorio elevado de fácil instalación, o un anclaje con cuerda de salvamento para las personas que trabajan en alturas y están sujetas a peligros de caídas.

El Anclaje con SRD rotatorio elevado está compuesto por dos ensamblajes; la base y soporte del SRD, y dos ensamblajes para las patas, cada uno con dos patas y placas de instalación adjuntas. Consulte la Tabla 1 y las Figuras 1A, 1B, y 1C en el Apéndice A.

Este manual contiene dos apéndices, el Apéndice A y el Apéndice B. El Apéndice A contiene las figuras y las tablas específicas para este manual. El Apéndice B contiene las figuras y las tablas aplicables a la protección contra caídas en general. En lo sucesivo, todas las referencias de las figuras están en el Apéndice A, a menos que se indique lo contrario.

Para los efectos de este manual, el Anclaje con SRD rotatorio elevado se puede denominar como el anclaje, el equipo, el producto o la unidad.

El anclaje se encuentra disponible en dos configuraciones, Tipo A y Tipo B.

El Tipo A está diseñado para funcionar con dos modelos de SRD, un SRD de DuraTech Series de FallTech, y el SRD de Contractor Series de FallTech.

El Tipo A emplea un tornillo con tapa para instalar el SRD. Dos ruedas manuales se proporcionan para apretar contra el cuerpo del SRD y mantenerlo en posición. El Tipo A también está equipado con un anillo en "D" para obtener opciones adicionales de conexión.

El Tipo B está diseñado para funcionar sólo con el SRD de Contractor Series de FallTech. El Tipo B emplea un tornillo con tapa para la instalación.

Ambos soportes están diseñados para sujetar firmemente el SRD en su lado.

La base es común para ambos tipos de soporte y está compuesta de una longitud de canal de hierro con el montaje giratorio del SRD y los orificios para los ensamblajes de ambas patas. Las placas de instalación proporcionan agujeros para clavos y tornillos para la instalación en el techo de una estructura con marco de madera.

Los ensamblajes de las patas elevan el SRD hasta 20,7" (52,6 cm) por encima de la superficie de instalación para permitir que el cable del SRD despeje los materiales de construcción apilados sobre una superficie plana. Si se instala en un pico o cresta del techo, la altura por encima del pico del techo variará de acuerdo con la inclinación del techo.

El anclaje descrito en este manual cumple con todos los reglamentos aplicables de OSHA 1926.502.

### 2. APLICACIÓN

**2.1 Objetivo:** El anclaje puede ser utilizado en aplicaciones residenciales o comerciales para proporcionar un anclaje rotatorio elevado para aplicaciones de detención y restricción de caídas.

**2.1.1 Aplicación del Sistema personal de detención de caídas:** El PFAS por lo general incluye un Arnés de cuerpo completo (FBH, por sus siglas en inglés) y un dispositivo de desaceleración, tales como una Cuerda con amortiguación (SAL), un Dispositivo autorretráctil (SRD), o un Subsistema de conexión de detenedor de caídas (FACSS) cuando se utiliza con un agarre de cuerda/SAL, como se muestra en la Figura 2A. La caída libre máxima permitida es de seis pies (1,8 m).

El **Tipo A** puede utilizar un SRD (DuraTech o Contractor) instalado en el soporte para detención de caídas, con un sistema de cierre operado manualmente para mantener el SRD instalado en la posición vertical durante el uso. El Tipo A también está equipado con un anillo en "D" para la conexión de un Subsistema de conexión de detenedor de caídas (FACSS, por sus siglas en inglés). Cuando el SRD se utiliza para detención de caídas, el anillo en "D" no se puede utilizar; cuando el anillo en "D" se utiliza para detención de caídas, no se puede utilizar el SRD. Sólo un sistema de detención de caída se podrá utilizar a la vez.

El **Tipo B** puede usar el SRD de la Contractor Series sólo en aplicaciones de detención de caídas.

**2.1.3 Restricción:** El anillo en "D" colocado en el Tipo A también se puede utilizar en una aplicación de restricción. Las aplicaciones de restricción normalmente incluyen un anclaje y una cuerda o correa para evitar que el usuario llegue a un área de peligro de caída. Ver la Figura 2B. No utilice un SRD para aplicaciones de restricción.

**2.2 Límites de la aplicación:** Tome medidas para evitar los bordes afilados, superficies abrasivas y peligros térmicos, eléctricos y químicos. No utilice el anclaje en cualquier techo con una inclinación superior a 12:12. El anclaje no es adecuado para el posicionamiento del trabajo, para montar al personal o para suspensión. Las aplicaciones de rescate están más allá del alcance de este manual. Consultar OSHA 1926.502.



### 3. REQUISITOS DEL SISTEMA

**3.1 Capacidad:** La capacidad de los anclajes en las especificaciones se indica como 425 libras (193 kg). Para mantener un PFAS en cumplimiento de ANSI, limite el peso del usuario, incluyendo herramientas, ropa, etc., a 310 libras (140,6 kg).

**NOTA:** Cualquier uso por parte de un trabajador que se exceda del peso total del usuario de 310 libras (140,6 kg) (incluidas las herramientas y los equipos) debe utilizar un PFAS diseñado para dicho peso. No puede estar conectado más de un PFAS a un anclaje a la vez.

**3.2 Compatibilidad de conectores:** Los conectores son considerados compatibles con elementos de conexión cuando se han diseñado para funcionar en conjunto, de manera que sus formas y tamaños no causen que sus mecanismos de compuerta se abran inadvertidamente, de manera independiente a la forma en que queden orientados. Comuníquese con FallTech si tiene alguna pregunta acerca de la compatibilidad. Los conectores deben ser compatibles con el anclaje u otros componentes del sistema. No utilice el equipo que no sea compatible. Los conectores no compatibles pueden soltarse accidentalmente. Los conectores deben ser compatibles en tamaño, forma y resistencia.

**3.3 Compatibilidad de componentes:** El equipo está diseñado para su uso sólo con componentes y subsistemas aprobados. Las sustituciones o reemplazos realizados con componentes o subsistemas no aprobados pueden poner en peligro la compatibilidad de los equipos y pueden afectar a la seguridad y la fiabilidad del sistema completo.

**3.4 Realizar las conexiones:** Utilice sólo mosquetones y ganchos de cierre automático con este equipo. Utilice sólo los conectores que son adecuados para cada aplicación. Asegúrese de que todas las conexiones son compatibles en tamaño, forma y resistencia. No utilice el equipo que no sea compatible. Asegúrese visualmente de que todos los conectores están completamente cerrados y bloqueados. Los conectores (mosquetones y ganchos de cierre automático) están diseñados para ser usados sólo como se indica en las instrucciones del usuario de cada producto. Consulte la Figura 13 en el Apéndice B.

**3.5 Sistema personal de detención de caídas:** Los componentes del PFAS utilizados con este equipo deben cumplir con los requisitos aplicables de ANSI Z359 y los reglamentos de la OSHA, a menos que se especifique lo contrario en las instrucciones para el usuario. Se debe utilizar un Arnés de cuerpo completo (FBH, por sus siglas en inglés) cuando se utiliza este equipo como un componente de un PFAS. La OSHA exige el uso del sistema personal de detención de caídas para detener la caída del usuario con una fuerza máxima de detención de 1.800 libras (816,5 kg), y para limitar la caída libre a 6 pies (1,8 m) o menos.

Cuando es posible una caída libre de más de 6 pies (1,8 m), hasta un máximo de 12 pies (3,6 m), ANSI requiere el uso de un PFAS diseñado para una caída libre mayor.

**3.5.1 Resistencia del anclaje del PFAS:** El anclaje seleccionado para el PFAS debe tener una resistencia capaz de sostener una carga estática aplicada en la dirección permitida por el PFAS de al menos:

- a) dos veces el máximo de fuerza de detención permitida cuando exista la certificación, o
- b) 5.000 libras (2.268 kg) (22,2 kN) en ausencia de la certificación.

**3.5.2 Resistencia del anclaje de restricción:** El anclaje seleccionado para restricción debe tener una resistencia capaz de sostener una carga estática aplicada en la dirección permitida por el sistema de al menos:

- a) dos veces la fuerza previsible cuando exista la certificación, o
- b) 1,000 libras (453,5 kg) (4,4 kN) en ausencia de la certificación.

**3.6 Definiciones:** Las siguientes son las definiciones de los términos según se definen en la norma ANSI Z359.0-2007.

**Persona autorizada:** Una persona asignada por el empleador para realizar sus obligaciones en un lugar donde la persona estará expuesta a un peligro de caída (de lo contrario, se denomina como "usuario" a los efectos de estas instrucciones).

**Anclaje certificado:** Un anclaje para sistemas de detención de caídas, posicionamiento, restricción, o de rescate que una persona calificada certifica de que puede soportar las posibles fuerzas de caída, las cuales podrían presentarse durante una caída o que cumplen con los criterios para un anclaje certificado previsto en la norma.

**Persona competente:** Una persona que es capaz de identificar los peligros existentes y predecibles en los alrededores o condiciones de trabajo que son insalubres o peligrosas para los empleados, y quien tiene la autorización para tomar con prontitud medidas correctivas para eliminarlos.

**Persona calificada:** Una persona con un título o certificado profesional reconocido y con amplios conocimientos, capacitación y experiencia en la protección contra caídas y el campo de rescate, quien es capaz de diseñar, analizar, evaluar y especificar los sistemas de protección contra caídas y sistemas de rescate en la medida exigida por la norma.

**Socorrista:** Persona o personas distintas al sujeto que actúa en la realización de un rescate asistido por la operación de un sistema de rescate.

### 4. INSTALACIÓN Y OPERACIÓN

#### ADVERTENCIA

**No altere ni utilice este equipo de manera indebida e intencional. Consulte a FallTech cuando utiliza este equipo en combinación con componentes o subsistemas distintos a los descritos en este manual. Algunas combinaciones de componentes y subsistemas pueden interferir con la operación de este equipo.**

**NO** utilice cualquier anclaje descrito en este manual hasta que el sistema se haya instalado, inspeccionado, y aprobado por completo para su uso por parte de una Persona competente.

**NOTA:** La protección contra caídas aprobada puede ser necesaria durante la instalación de todas las unidades de anclajes descritas en este manual.

**4.1 Ubicación del anclaje:** Seleccione un punto de anclaje adecuado para apoyar el requisito de resistencia y minimizar los peligros de caída libre y con balanceo. Consulte la Sección 3 de este manual para los requisitos de resistencia del anclaje. Consulte el párrafo 4.4 para información adicional sobre la ubicación del anclaje.

**NO** trabaje por encima del anclaje.

**4.2 Distancia de caída despejada:** Tome medidas para reducir el peligro de caídas. Asegúrese de que haya suficiente espacio libre en el área de caída para detener la caída antes de que entre en contacto con el suelo u otros objetos. La distancia despejada necesaria depende del tipo de subsistema de conexión utilizado (cuerda de salvamento de absorción de energía, dispositivo autorretráctil, etc.). Consulte las instrucciones del fabricante del subsistema de conexión para obtener información sobre la distancia despejada para caídas.

El usuario debe ser consciente de que un evento de caída puede provocar que las patas de apoyo del anclaje absorban la energía y colapsen a una cierta distancia. Agregue un pie (0,3 m) a la distancia calculada de caída despejada. Las condiciones de caídas con balanceo aumentarán el requisito de caída despejada.

**4.3 Caída con balanceo:** La caída con balanceo se produce cuando el punto de anclaje no está directamente por encima del punto donde ocurre la caída. La distancia total de caída se puede aumentar considerablemente durante una caída con balanceo. La fuerza de golpear un objeto en una caída con balanceo puede causar lesiones graves. Las caídas con balanceo mientras se utiliza un SRD pueden aumentar la distancia de caída despejada requerida y pueden aumentar las fuerzas de caída con balanceo. Tenga cuidado. Minimice las caídas con balanceo al instalar los anclajes a por lo menos seis pies (1,8 m) de los bordes expuestos del techo y al trabajar lo más directamente posible por debajo del punto de anclaje. Ver la Figura 3.

**4.4 Ensamblaje del anclaje:** El anclaje se envía montado parcialmente. El usuario debe montar las patas a la base. Retire la unidad de la caja de envío. Asegúrese de que todas las piezas, componentes y sujetadores del anclaje están presentes, tal como se define en la Figura 1A y la Figura 1B. Identifique los componentes y subconjuntos;

- Un soporte del SRD, tipo A o B, ya está instalado en la base del soporte. Vea la Figura 4A o 4B.
- Ensamblaje de dos patas del soporte del anclaje, con los pernos de sujeción de las patas ya instalados. No quitar los pernos de sujeción.
- Dos tornillos largos de cabeza hexagonal de 3/8"-16 x 4,5" y dos tuercas de bloqueo de nailon

Con los componentes y subconjuntos identificados, siga estos pasos;

1. Coloque la base del ensamblaje de la pata en el ensamblaje de la pata de soporte del anclaje con las placas de instalación orientadas como se muestra en la Figura 4 (A o B).
2. Inserte uno de los tornillos largos de cabeza hexagonal Grado 5 de 3/8"-16 x 4,5" a través de los orificios de la base y las patas.
3. Enrosque la tuerca de bloqueo en el tornillo con tapa con la mano
4. Repita el paso 1 con el otro extremo de la base y el ensamblaje de la pata restante, alinee los orificios, inserte el tornillo con tapa y enrosque con la mano la tuerca de bloqueo.
5. Abra las patas de apoyo completamente hasta los pernos de sujeción. Asegúrese de que las placas de instalación están orientadas correctamente. Apriete las tuercas de bloqueo de nailon de manera firme, hasta que un mínimo de 3 líneas de la rosca se muestren fuera de la tuerca. No apriete en exceso.
6. Asegúrese de que las líneas centrales de las placas de instalación tengan una separación nominal de 24" (61 cm).

Una vez que la unidad está ensamblada, no la desarme. El uso repetido de la tuerca de bloqueo de nailon degrada el elemento de bloqueo de nailon.

**4.5 Instalar el anclaje:** El anclaje está diseñado para ser instalado en techos con estructuras de madera, en la parte superior del revestimiento, directamente sobre un puntal o viga. Las instalaciones del anclaje descritas en este manual requieren de una persona competente quien compruebe que la superficie y el sustrato en los cuales se instala el anclaje cumplan con los requisitos detallados en este manual. Es responsabilidad de la persona competente asegurarse de que cualquier instalación de este anclaje cumple con los reglamentos de OSHA. Sea consciente de los riesgos y planifique la instalación con la seguridad del usuario en mente. Asegúrese de que las placas de instalación están apuntando hacia el exterior y que todas las placas de instalación están ubicadas directamente sobre un puntal o viga. El revestimiento tiene un espesor mínimo del material de 5/8" (1,6 cm). Los puntales o vigas deben tener dimensiones mínimas de 1-3/4" por 3-3/4" (4,4 cm por 9,5 cm). Asegúrese de que las patas del anclaje están desplegadas en su totalidad y están en contra de los pernos de sujeción cuando el anclaje está instalado. Se proporcionan dos tipos de sujetadores de instalación: los tirafondos y clavos 16d.

Elija la ubicación de instalación con cuidado. Ver la Figura 5.

Siga estos pasos:

1. Coloque el anclaje en la ubicación elegida en la parte superior del revestimiento, ya sea en el campo o sobre el pico como se muestra en la Figura 6A. Asegúrese de que los agujeros en las placas de instalación están alineados directamente sobre el centro de un puntal o viga. Tenga en cuenta que las placas de instalación apunten hacia la ladera. No instale el anclaje con las placas de instalación en la dirección equivocada.
2. Asegúrese de que las patas están desplegadas en su totalidad, con el tornillo de sujeción con tapa contra la base del soporte.
3. Si utiliza los tirafondos proporcionados, perfora un agujero piloto de 3/16" por 2-1/2" (0,5 cm por 6,4 cm) en cada uno de los agujeros de los tornillos en las placas de instalación como se muestra en la Figura 6B. Inserte los doce tirafondos de 1/4" por 2- 1/2" (0,6 cm por 6,4 cm) en todos los orificios pre-taladrados para los tornillos del anclaje. No apriete en exceso.
4. Si utiliza los clavos proporcionados, coloque un clavo 16d en cada uno de los agujeros para clavos y tornillos en cada placa de instalación como se muestra en la Figura 6B. Asegúrese de que los 24 clavos queden colocados en los puntales.

**NO**

- Instale un anclaje directamente en un puntal de madera sin sustrato de revestimiento.
- Instale el anclaje en las áreas sin apoyo del techo, tales como los aleros, gabletes y salientes, o dentro de seis pies (1,8 m) de cualquier borde

**4.5.2 Techo plano o con tejado a dos aguas:** El anclaje se puede instalar en techos planos o con tejado a dos aguas siempre que se utilicen los sujetadores correctos para la instalación en la superficie correcta, sobre el sustrato correcto. El anclaje se puede instalar en el centro del caballete o pico, con dos placas de instalación a ambos lados, a fin de proporcionar una rotación de 360° del anclaje y el acceso a los dos lados del techo. Los techos a dos aguas con un alto grado de inclinación pueden no permitir que la placa de instalación del anclaje entre en contacto completo con la superficie del techo. Tenga cuidado cuando trabaje en techos con alta inclinación. Inspeccione el agujero del SRD por donde sale el cable del cuerpo. Los techos con un alto grado de inclinación harán que el cable erosione el agujero y se acelere el desgaste de forma significativa. Inspeccione el cable y el agujero cuidadosamente.

Tenga cuidado. No instale el anclaje en cualquier inclinación del techo superior a 12:12.

**4.6 Instalar el SRD en el soporte:** El SRD se debe instalar en un soporte compatible. El Tipo A es compatible con el SRD de DuraTech Series de FallTech, y el SRD de Contractor Series de FallTech. El Tipo B sólo es compatible con el SRD de Contractor Series de FallTech. Consulte la Tabla 8C.

**4.6.1 Instalar el SRD DuraTech de FallTech en el Tipo A:**

1. Abra las abrazaderas de ajuste completamente de manera manual.
2. Coloque el SRD en su lado en el soporte como se muestra en la Figura 7A.
3. Inserte el tornillo de fijación de cabeza hexagonal de 5/8" x 4" de Grado 5 a través del agujero de montaje lateral, por el agarre del SRD, y fuera del agujero de montaje del lado opuesto.

4. Enrosque la tuerca en el tornillo con tapa. Apriete la tuerca en el tornillo con tapa hasta que un mínimo de 3 líneas de la rosca se muestren fuera de la tuerca de bloqueo de nailon. No doble el soporte al apretar la tuerca de manera excesiva.
5. Apriete las perillas de ajuste de la abrazadera con la mano hasta que el SRD quede sujeto de forma segura en posición vertical en el soporte. Asegúrese de que el SRD está centrado en el soporte. No apriete en exceso.

#### **4.6.2 Instalar el SRD Contractor Series de FallTech en el Tipo A:**

1. Abra las abrazaderas de ajuste completamente de manera manual.
2. Conecte un mosquetón aprobado al ojal de conexión en el SRD.
3. Coloque el SRD en su lado en el soporte con el agarre hacia arriba como se muestra en la Figura 7A.
4. Inserte el tornillo de fijación de 5/8" x 4" de Grado 5 a través del agujero del montaje lateral del soporte, por el mosquetón, y fuera del agujero de montaje del lado opuesto. Enrosque la tuerca en el tornillo con tapa.
5. Apriete la tuerca de bloqueo de nailon en el tornillo con tapa hasta que un mínimo de 3 líneas de la rosca se muestren fuera de la tuerca. No apriete en exceso.

Apriete las perillas de ajuste con la mano hasta que el SRD quede sujeto de forma segura en posición vertical en el soporte. No apriete en exceso.

#### **4.6.3 Instalar el SRD Contractor Series de FallTech en el Tipo B:**

1. Conecte un mosquetón aprobado al ojal de conexión en el SRD.
2. Coloque el SRD en su lado en el soporte como se muestra en la Figura 7A.
3. Inserte el tornillo de fijación de cabeza hexagonal de 5/8" x 6-12" de Grado 8 a través del agujero de montaje lateral, por el ojal superior del SRD, y fuera del agujero de montaje del lado opuesto.
4. Enrosque la tuerca de bloqueo de nailon en el tornillo con tapa.
5. Apriete la tuerca en el tornillo con tapa hasta que un mínimo de 3 líneas de la rosca se muestren fuera de la tuerca. No apriete en exceso.

**NO** fije los conectores de protección contra caídas a los pernos de sujeción del SRD en el soporte. Estos pernos son para la fijación de un SRD en el soporte únicamente. Ver la Figura 7B.

**4.7 Uso del anclaje:** El anclaje está diseñado para proporcionar un anclaje rotatorio elevado para un PFAS, o para restricción.

**4.7.1 PFAS:** Un Sistema personal de detención de caídas (PFAS, por su siglas en inglés) es un sistema de componentes y conectores utilizados para detener la caída de manera segura de un trabajador desde una superficie elevada de trabajo/para caminar. El SRD en el soporte (de la Contractor Series o la DuraTech Series) es la principal aplicación de detención de caídas para el tipo A, y la única aplicación para el Tipo B.

El anillo en "D" del tipo A es un uso alternativo del anclaje para aplicación de detención de caídas, el cual se compone de una cuerda de salvamento con amortiguación (SAL) con un arnés de cuerpo completo (FBH), o un Subsistema de conexión de detenedor de caídas (FACSS), el cual es una cuerda de salvamento vertical, combinada con una cuerda con amortiguación, un detenedor de caídas, y un FBH. Consulte el párrafo 4.5. Consulte las instrucciones para el usuario del fabricante del arnés corporal, los conectores y el dispositivo de desaceleración para obtener información sobre los procedimientos para conectar y utilizar el anclaje.

**NO**

- utilice un SRD para aplicaciones de restricción.
- conecte cualquier sistema alternativo a los pernos de sujeción del SRD. Los pernos son para la conexión del SRD únicamente.
- conecte un SRD al anillo en "D" del soporte
- conecte cualquier elemento al anclaje descrito en el manual de cualquier manera que no se indique en este manual.

**4.8 Después de una caída:** Cualquier equipo sometido a fuerzas de detención de caídas o que muestren algún daño consecuente con el efecto de un evento de caída debe ser retirado de servicio de forma inmediata.

**4.9 Al concluir el trabajo:** Al concluir el trabajo, retire el anclaje al remover los sujetadores. Tenga cuidado y evite que se dañen las placas de instalación. Aplique masilla o silicona selladora en los agujeros. El usuario debe realizar cualquier reparación estructural o del techo que sea necesaria, la cual resulte de la instalación, uso y desinstalación del anclaje.

## **5. ESPECIFICACIONES**

Consultar la Tabla 1.

## **6. MANTENIMIENTO Y ALMACENAMIENTO**

Mantenga el anclaje y los componentes asociados limpios, secos y libres de suciedad, pintura, o cualquier otro tipo de restos que pudieran obstaculizar su función. Aplique un rociador de silicona de lubricación a las roscas de la abrazadera y al tornillo giratorio.

**6.1 Almacenamiento:** Cuando no está instalado, almacene en un área limpia y seca. Evite la luz directa del sol y la exposición a elementos ambientales. No coloque otros equipos u objetos sobre los anclajes. No almacene de una manera que permita que otros equipos doblen, agrieten, contaminen o dañen la unidad. Asegúrese de que el cable del SRD está completamente retraído.

**6.2 Retirar de servicio:** Retire el anclaje de servicio si se ha sometido a fuerzas de detención de caída o no pasa la inspección.

## **7. INSPECCIÓN DEL ANCLAJE CON SRD ROTATORIO**

Antes de cada uso, el usuario deberá inspeccionar el anclaje para detectar cualquier daño físico, desgaste, corrosión o piezas faltantes. Si el anclaje ha estado sometido a fuerzas de detención de caídas, debe ser retirado de servicio.

Inspeccione el anclaje, el soporte, y el SRD o cualquier otro sistema de detención o restricción de caídas para detectar:

1. grietas o fracturas en los conectores, el soporte o el SRD
2. soldaduras o anillos rotos
3. corrosión
4. placas o anillos doblados
5. acumulación de contaminantes
6. agujero desgastado o ranurado en el SRD
7. hebras de cable rotas, "anzuelos"



Si la inspección de rutina revela daños en el anclaje, discontinúe el uso y retírelo de servicio.

Se requiere una inspección visual semestral por parte de una persona competente para asegurarse de que las patas estén rectas y los agujeros de fijación de las placas de montaje se encuentran en una posición nominal de 24" (61 cm) del centro a centro.

**8. ETIQUETAS**

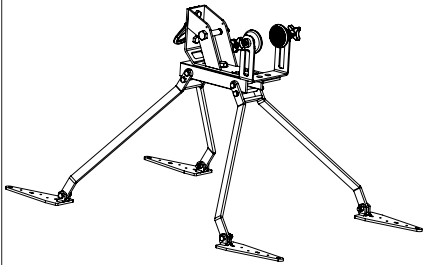
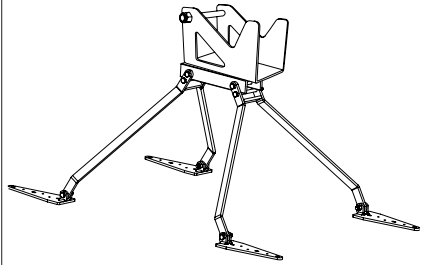
Las siguientes etiquetas deben estar presentes y legibles.

  <p>Inspect the anchor before each use. Semi-annual inspection by a competent person is recommended. Do not use if inspection reveals unsafe or defective condition. Remove the anchor from service immediately if it has been subjected to fall arrest forces. See the user instruction manual for complete inspection procedures. Attach fall protection subsystem to D-ring or to an SRD installed in the cradle. Do not attach any subsystem or device to the D-ring while an installed SRD is being used. Do not use the SRD (if installed) when the D-ring is being used as a fall protection anchor. Attachments via carabiner must with an ANSI Z359.12-2009 compliant carabiner. A Rotating Elevated SRD Anchor installed over the ridge must be free to spin 360° to maintain proper load direction. Do not work above a Rotating Elevated SRD installed on the field. See the user instruction manual for complete use details.</p> <p style="text-align: center;"><b>DO NOT REMOVE LABEL.</b></p>	MARK ON DATE GRID A) INITIAL SERVICE DATE    B) DATE OF PASSED INSPECTION IF UNIT FAILS INSPECTION REMOVE IT FROM SERVICE												
		J	F	M	A	M	J	J	A	S	O	N	D
	2014												
	2015												
	2016												
2017													

  <p><b>Install the SRD In A Compatible Cradle</b></p> <p><b>DuraTech SRD in Anchor Type A.</b> Open the hand adjustment clamps. Place the SRD on its side in the cradle. Insert the 5/8 inch x 4 inch Grade 5 hex head securing bolt through the side mounting hole, through the SRD handle, and out the opposite side mounting hole. Tighten the lock nut on the bolt. Do not over tighten. Adjust the hand clamp to secure the SRD upright.</p> <p><b>Contractor Series SRD in Anchor Type A.</b> Open the hand adjustment clamps. Attach a carabiner to the attachment eye on the SRD. Place the SRD on its side in the cradle. Insert the 5/8 inch x 4 inch securing bolt through the cradle side mounting hole, through carabiner, and out the opposite side mounting hole. Tighten the lock nut. Do not over tighten.</p> <p><b>Contractor Series SRD in Anchor Type B.</b> Place the SRD on its side in the cradle. Insert the 5/8 inch x 6-1/2 inch Grade 8 hex head securing bolt through the side mounting hole, through the top eye, and out the opposite side mounting hole. Screw the nut onto the bolt. Tighten nut on the bolt. Do not over tighten. See the Rotating Elevated SRD Anchor User Instruction Manual for complete installation procedures.</p> <p><b>INSTALL THE ANCHOR ON A WOOD STRUCTURE ROOF:</b> Locate the anchor in accordance with the roof site plan, either over the ridge or on the field. Place the anchor on the sheathing. Line up the installation plates directly over a truss or rafter. May be installed with the provided screws or nails. Predrill the screw holes with a 3/16" drill bit. Drive in the twelve 1/4"-14 x 2-1/2" lag screws. To install with nails, drive in the provided 24 16d nails, six nails in each installation plate. Ensure fasteners engage the center of the truss or rafter. See the user instruction manual for complete installation procedures.</p> <p style="text-align: center;"><b>DO NOT REMOVE LABEL.</b></p>	MARK ON DATE GRID A) INITIAL SERVICE DATE    B) DATE OF PASSED INSPECTION IF UNIT FAILS INSPECTION REMOVE IT FROM SERVICE												
		J	F	M	A	M	J	J	A	S	O	N	D
	2014												
	2015												

  <p><b>WARNING</b></p> <p>WARNING: THIS EQUIPMENT IS DESIGNED FOR USE AS A FALL PROTECTION ANCHOR. USER MUST READ AND FOLLOW INSTRUCTIONS SUPPLIED WITH THIS PRODUCT AT TIME OF SHIPMENT. FAILURE TO DO SO MAY RESULT IN SERIOUS INJURY OR DEATH. AVOID CONTACT WITH SHARP EDGES, ABRASIVE SURFACES, CHEMICALS, SALT WATER, ACIDS, AND ALKALINES. MAKE ONLY COMPATIBLE CONNECTIONS. SEE INSTRUCTIONS FOR RESTRICTIONS ON USE WITH COMPONENTS, SUBSYSTEMS, OR SYSTEMS WITH WHICH THIS PRODUCT IS DESIGNED TO BE USED. SEE INSTRUCTIONS FOR INSPECTION PROCEDURES..</p> <p>Date of Mfr: <input type="text"/></p> <p>Serial #: <input type="text"/></p> <p style="text-align: center;"><b>DO NOT REMOVE LABEL.</b></p>	800.719.4619 <a href="http://www.falltech.com">www.falltech.com</a> Model#: 7395C Rotating Elevated SRD Anchor Materials: Steel Capacity: 130 - 310 lbs including clothing, tools, etc. OSHA 1926.500 – 503 Compliant to 3600 lbs.											
		J	F	M	A	M	J	J	A	S	O	N

**APPENDIX A**

<b>Table 1A: Specifications for Elevated Rotating SRD Anchors</b>				
<b>Designation Type and Part #</b>	<b>Dimensions</b>	<b>Materials</b>	<b>Maximum User Capacity</b>	
<p><b>Type A:</b> <b>7395C</b></p> <p>with Adjustable Cradle</p>	<p><b>SRD Cradle:</b> 8" High x 2½" wide x 13" long</p> <p><b>Install Plates:</b> 9" x 4"</p>	<p><b>Anchor Legs:</b> Zinc Plated Carbon Steel</p> <p><b>SRD Cradle:</b> Powder Coated Carbon Steel</p> <p><b>Install Plates:</b> Powder Coated Carbon Steel</p> <p><b>D-Ring:</b> Zinc Plated Alloy Steel</p>	<p>425 lbs. OSHA Compliance Only</p> <p>limited to PFAS used in conjunction with SRD Anchor</p>	
<p><b>Type B:</b> <b>7395E</b></p>	<p><b>SRD Cradle:</b> 6" High x 5" wide x 8-3/4" long</p> <p><b>Install Plates:</b> 9" x 4"</p>	<p><b>Anchor Legs:</b> Zinc Plated Carbon Steel</p> <p><b>SRD Cradle:</b> Zinc Plated Carbon Steel</p> <p><b>Install Plates:</b> Powder Coated Carbon Steel</p>	<p>425 lbs. OSHA Compliance Only</p> <p>limited to PFAS used in conjunction with SRD Anchor</p>	

TSERAA.1

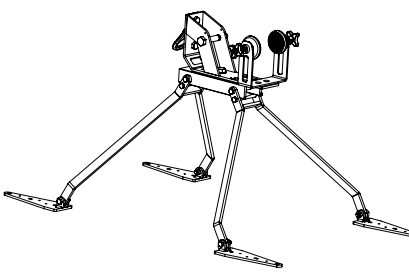
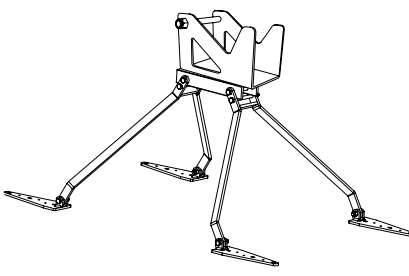
Both Type A and Type B SRD Anchors include the following Installation fasteners:  
12pcs 1/4" x 2-1/2" Lag Screws and 24pcs 16D Nails

<b>Table 1B: Rotating SRD Anchors Fit FallTech SRDs</b>		
<b>SRD Anchor Type and Part #</b>	<b>DuraTech® Cable* 15' through 75'</b>	<b>Contractor Cable 20' through 50'</b>
<p><b>Type A:</b> <b>7395C</b></p>	<p>7226, 7227, 7229, 7232, 7267, 7268, 7265, 726575</p>	<p>727620, 727630, 727650 using Carabiner</p>
<p><b>Type B:</b> <b>7395E</b></p>		<p>727620, 727630, 727650</p>

TSERAB.1

\*DuraTech SRD Models shown above also include "S" and "SS" versions as available.

**APPENDIX A**

<b>Tabla 1A: Especificaciones de Anclajes con SRD rotatorio elevado</b>				
<b>Tipo de denominación y No. de pieza</b>	<b>Dimensiones</b>	<b>Materiales</b>	<b>Capacidad de usuario máxima</b>	
<p><b>Tipo A:</b> <b>7395C</b></p> <p>con soporte ajustable</p>	<p><b>Soporte de SRD:</b> 8" de alto x 2½" de ancho x 13" de largo (20,3 cm x 6,4 cm x 33,02 cm)</p> <p><b>Placas de instalación:</b> 9" x 3" (22,8 cm x 7,6 cm)</p>	<p><b>Patas del anclaje:</b> Acero al carbono galvanizado</p> <p><b>Soporte de SRD:</b> Acero al carbono revestido on pintura en polvo</p> <p><b>Placas de instalación:</b> Acero al carbono revestido on pintura en polvo</p> <p><b>Anillo en "D":</b> Acero de aleación galvanizado</p>	<p>425 libras (192,8 kg) Cumplimiento de OSHA únicamente</p> <p>limitado al PFAS utilizado junto al Anclaje con SRD</p>	
<p><b>Tipo B:</b> <b>7395E</b></p>	<p><b>Soporte de SRD:</b> 6" de alto x 5" de ancho x 8-3/4" de largo (15,2 cm x 12,7 cm x 22,2 cm)</p> <p><b>Placas de instalación:</b> 9" x 3" (22,8 cm x 7,6 cm)</p>	<p><b>Patas del anclaje:</b> Acero al carbono galvanizado</p> <p><b>Soporte de SRD:</b> Acero al carbono galvanizado</p> <p><b>Placas de instalación:</b> Acero al carbono revestido on pintura en polvo</p>	<p>425 libras (192,8 kg) Cumplimiento de OSHA únicamente</p> <p>limitado al PFAS utilizado junto al Anclaje con SRD</p>	

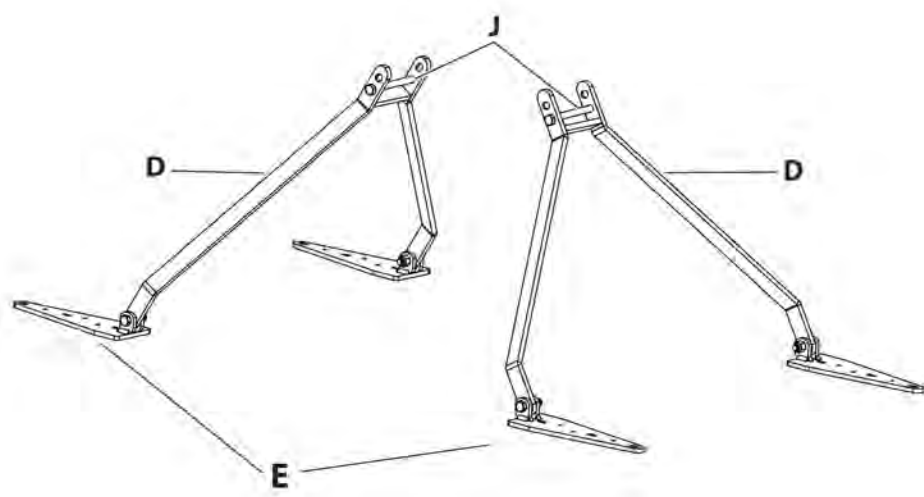
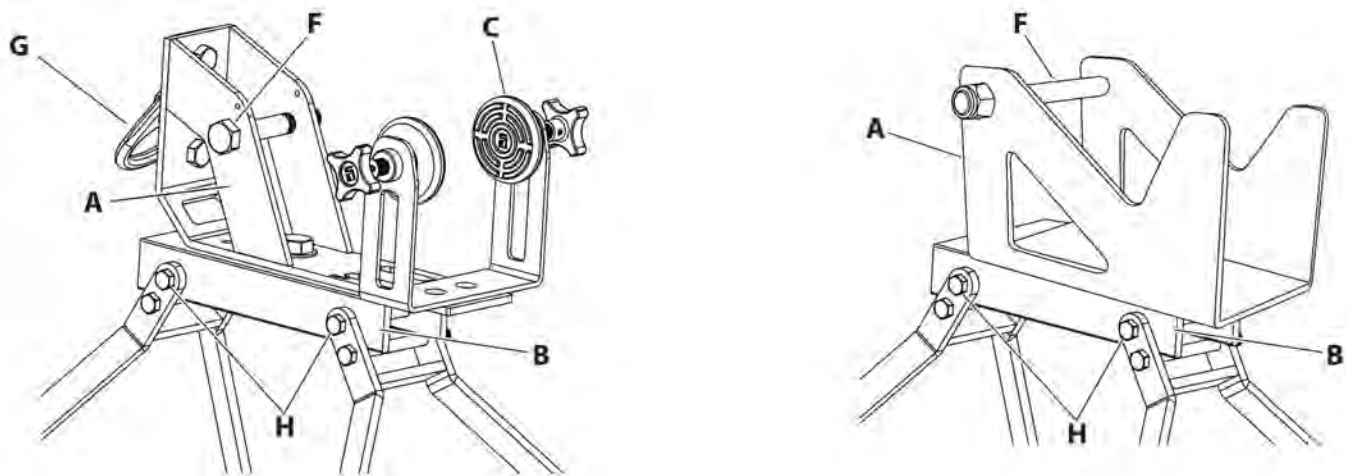
TSERAA.1

Los anclajes con SRD del Tipo A y Tipo B incluyen los siguientes sujetadores de instalación:  
12 tirafondos de 1/4" x 2-1/2" y 24 clavos 16D

<b>Tabla 1B: Los Anclaje con SRD rotatorio se adaptan a los SRD de FallTech</b>		
<b>Tipo de anclaje con SRD y No. de pieza</b>	<b>Cable DuraTech® * 15' hasta 75' (4,6 m hasta 22,8 m)</b>	<b>Cable Contractor 20' hasta 50' (6,09 m hasta 15,2 m)</b>
<p><b>Tipo A:</b> <b>7395C</b></p>	<p>7226, 7227, 7229, 7232, 7267, 7268, 7265, 726575</p>	<p>727620, 727630, 727650 con el uso de Mosquetón</p>
<p><b>Tipo B:</b> <b>7395E</b></p>		<p>727620, 727630, 727650</p>

TSERAB.1

\*Los Modelos de SRD DuraTech que se muestran también incluyen versiones "S" y "SS" disponibles.



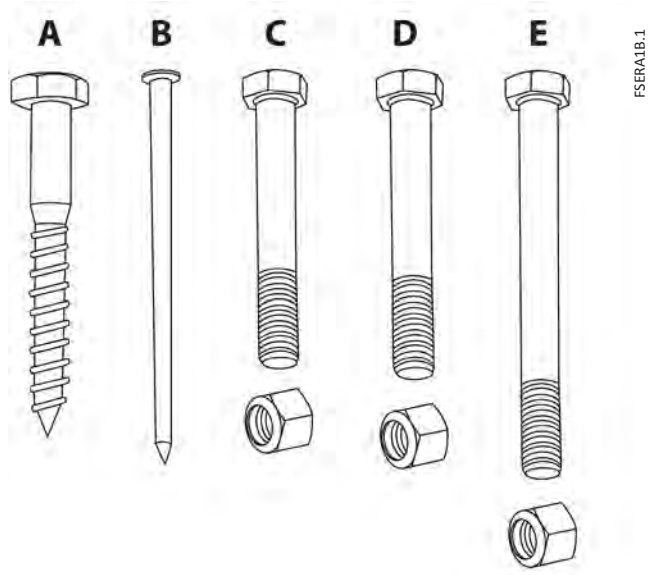
**Figure 1A: About Rotating SRD Anchor (Types A and B)**

<b>A</b>	Rotating SRD Cradle	<b>F</b>	SRD Securing Bolt/Nut
<b>B</b>	Cradle Support Base	<b>G</b>	Secondary Connection D-ring
<b>C</b>	Adjustment Pads and Knobs	<b>H</b>	Leg Assembly Cap Screws/Nuts (2)
<b>D</b>	Anchor Support Legs (2)	<b>J</b>	Bracing Bolts (pre-attached)
<b>E</b>	Installation Plates (4)		

**Figura 1A: Acerca del Anclaje con SRD rotatorio (Tipos A y B)**

<b>A</b>	Soporte de SRD rotatorio	<b>F</b>	Tuerca/perno de fijación del SRD
<b>B</b>	Base del soporte	<b>G</b>	Anillo en "D" de conexión secundaria
<b>C</b>	Perillas y almohadillas de ajuste	<b>H</b>	Tuercas/tornillos con tapa para ensamblaje de las patas (2)
<b>D</b>	Patatas de soporte del anclaje (2)	<b>J</b>	Pernos de sujeción (colocados previamente)
<b>E</b>	Placas de instalación (4)		

TSERA1A.3



<b>Figure 1B: Fasteners Included with SRD Anchors (Types A and B)</b>	
<b>A</b>	1/4" x 2-1/2" Lag Screws (12pcs)
<b>B</b>	16D Nails (24pcs)
<b>C</b>	5/8" x 4" Grade 5 Leg Assembly Cap Screw with Lock Nut (2pcs)
<b>D</b>	5/8" x 4" Grade 5 Bolt for SRD with Lock Nut (for Type A only)
<b>E</b>	5/8" x 6½" Grade 8 Bolt for SRD with Lock Nut (for Type B only)

<b>Figura 1B: Sujetadores incluidos con los anclajes con SRD (Tipos A y B)</b>	
<b>A</b>	Tirafondos de 1/4" x 2-1/2" (12)
<b>B</b>	Clavos 16D (24)
<b>C</b>	Tornillo con tapa de 5/8" x 4" Grado 5 para el ensamblaje de las patas con tuerca de bloqueo (2 piezas)
<b>D</b>	Perno de 5/8" x 4" de Grado 5 para SRD con tuerca de bloqueo (sólo para el Tipo A)
<b>E</b>	Perno de 5/8" x 6½" de Grado 8 para SRD con tuerca de bloqueo (sólo para el Tipo B)

TSERA1B.2



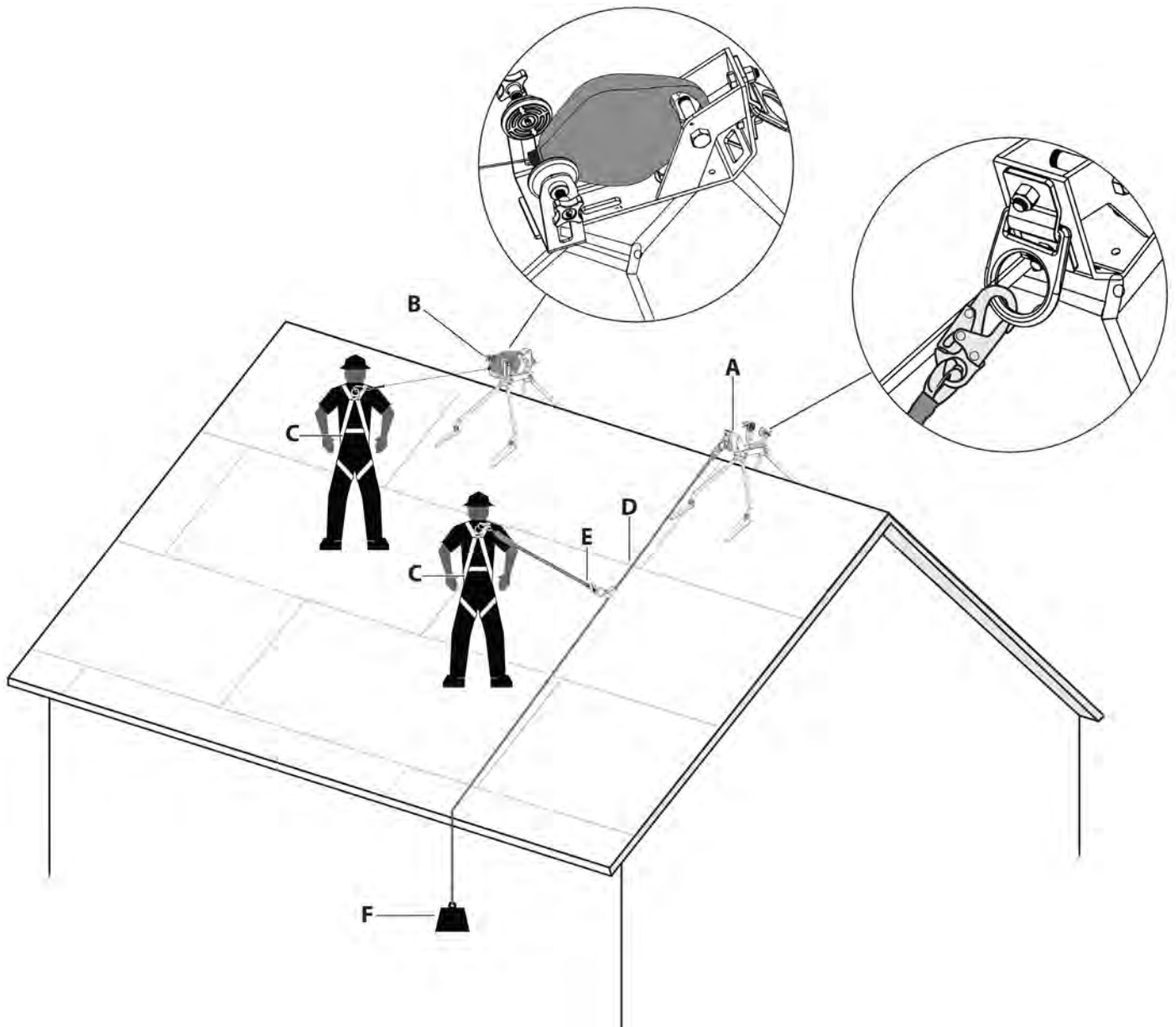


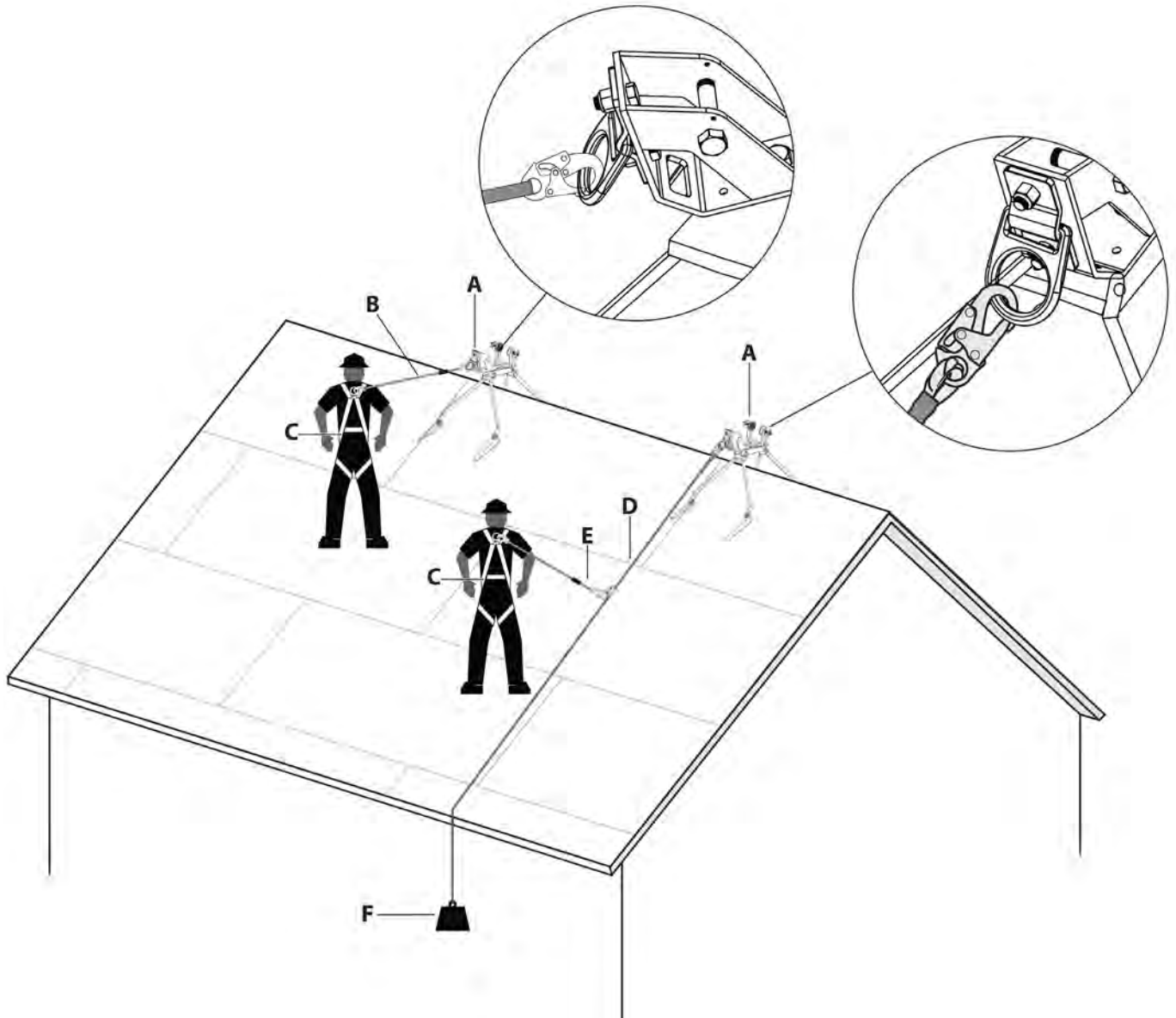
Figure 2A: Rotating SRD Anchors for Fall Arrest			
<b>A</b>	Rotating SRD Anchor (Type A)	<b>D</b>	Vertical Lifeline (VLL)
<b>B</b>	Self-Retracting Device (SRD)	<b>E</b>	Shock Absorbing Lanyard with Arrestor (Rope Grab)
<b>C</b>	Full Body Harness (FBH)	<b>F</b>	Minimum 5lb Counterweight

Fall Arrest with FACSS shown is for use with SRD Anchor Type A only.  
Only One Worker per Anchor Allowed at all Times

Figura 2A: Anclajes con SRD rotatorio para detención de caídas			
<b>A</b>	Anclaje con SRD rotatorio (Tipo A)	<b>D</b>	Cuerda de salvamento vertical (VLL)
<b>B</b>	Dispositivo autorretráctil (SRD)	<b>E</b>	Cuerda con amortiguación on detenedor (Agarre de cuerda)
<b>C</b>	Arnés de cuerpo completo (FBH)	<b>F</b>	Contrapeso mínimo de 5 libras (2,3 kg)

La detención de caída con el FACSS mostrado es para utilizarse únicamente con un Anclaje con SRD Tipo A.  
Sólo se permite un trabajador por anclaje en todo momento

TSERAZA.2



**Figure 2B: Rotating SRD Anchor for Restraint**

<b>A</b>	Rotating SRD Anchor (Type A)	<b>D</b>	Vertical Lifeline (VLL)
<b>B</b>	Restraint Lanyard	<b>E</b>	Restraint Lanyard with Rope Adjuster (Grab)
<b>C</b>	Full Body Harness (FBH)	<b>F</b>	Minimum 5lb Counterweight

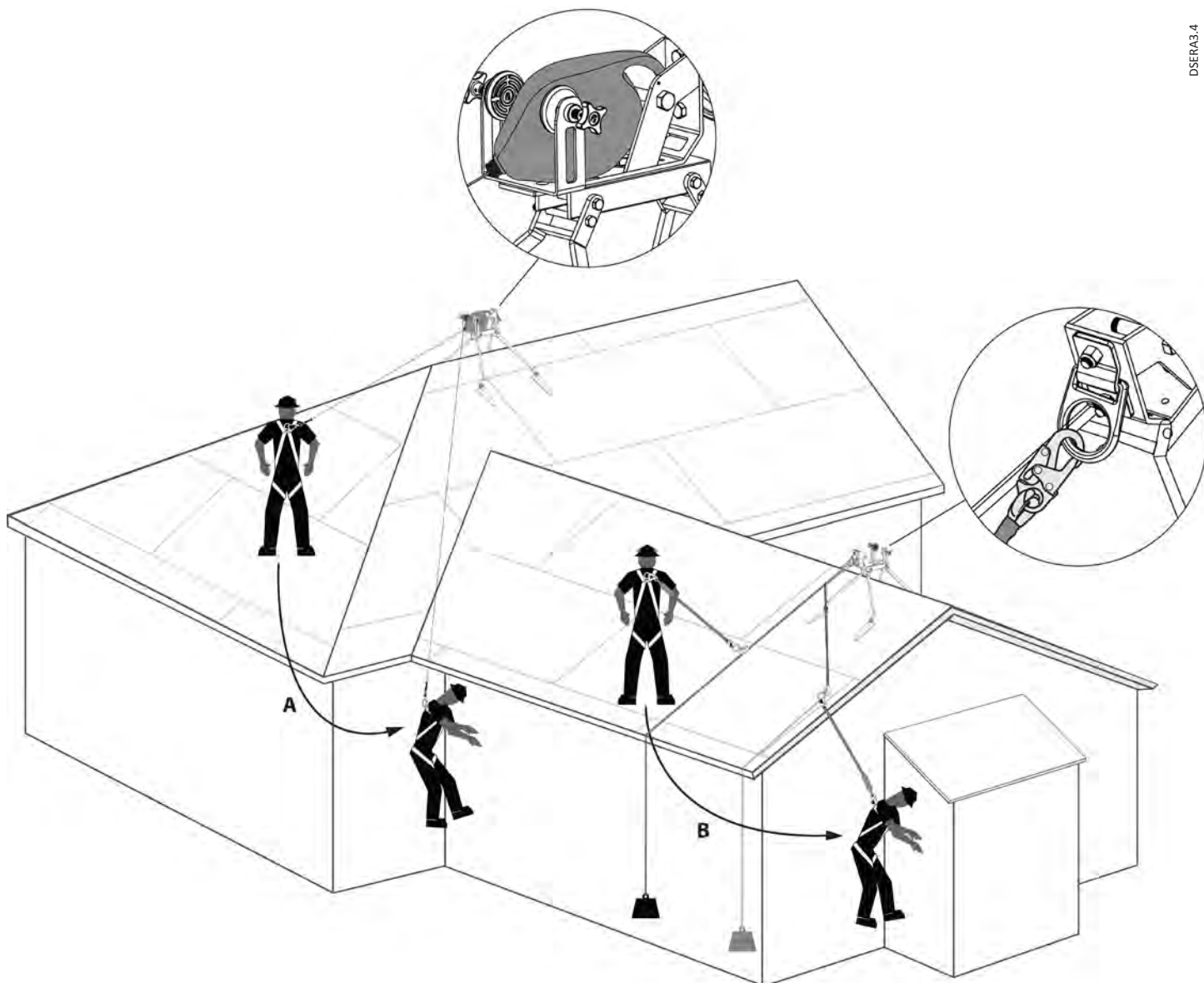
Both Restraint applications shown are for use with SRD Anchor Type A Only

**Figura 2B: Anclaje con SRD rotatorio para restricción**

<b>A</b>	Anclaje con SRD rotatorio (Tipo A)	<b>D</b>	Cuerda de salvamento vertical (VLL)
<b>B</b>	Cuerda de restricción	<b>E</b>	Cuerda de restricción con Ajustador (Agarre)
<b>C</b>	Arnés de cuerpo completo (FBH)	<b>F</b>	Contrapeso mínimo de 5 libras (2,3 kg)

Ambas aplicaciones de restricción que se muestran son para utilizar con un Anclaje con SRD Tipo A únicamente

TSERA2B.2



**Figure 3: Swing Fall Hazards from Roofs**

<b>A</b>	From a Hip Roof into adjoining wall
<b>B</b>	From a Gable Roof into lower level obstruction

FACSS shown in #B is for use with SRD Anchor Type A Only

**Figura 3: Peligros de caída con balanceo desde el techo**

<b>A</b>	Desde un techo con cumbre a una pared adyacente
<b>B</b>	Desde un techo a dos aguas a una obstrucción en un nivel inferior

El FACSS mostrado en #B es para utilizar con un Anclaje con SRD Tipo A únicamente

TSEEA3.1

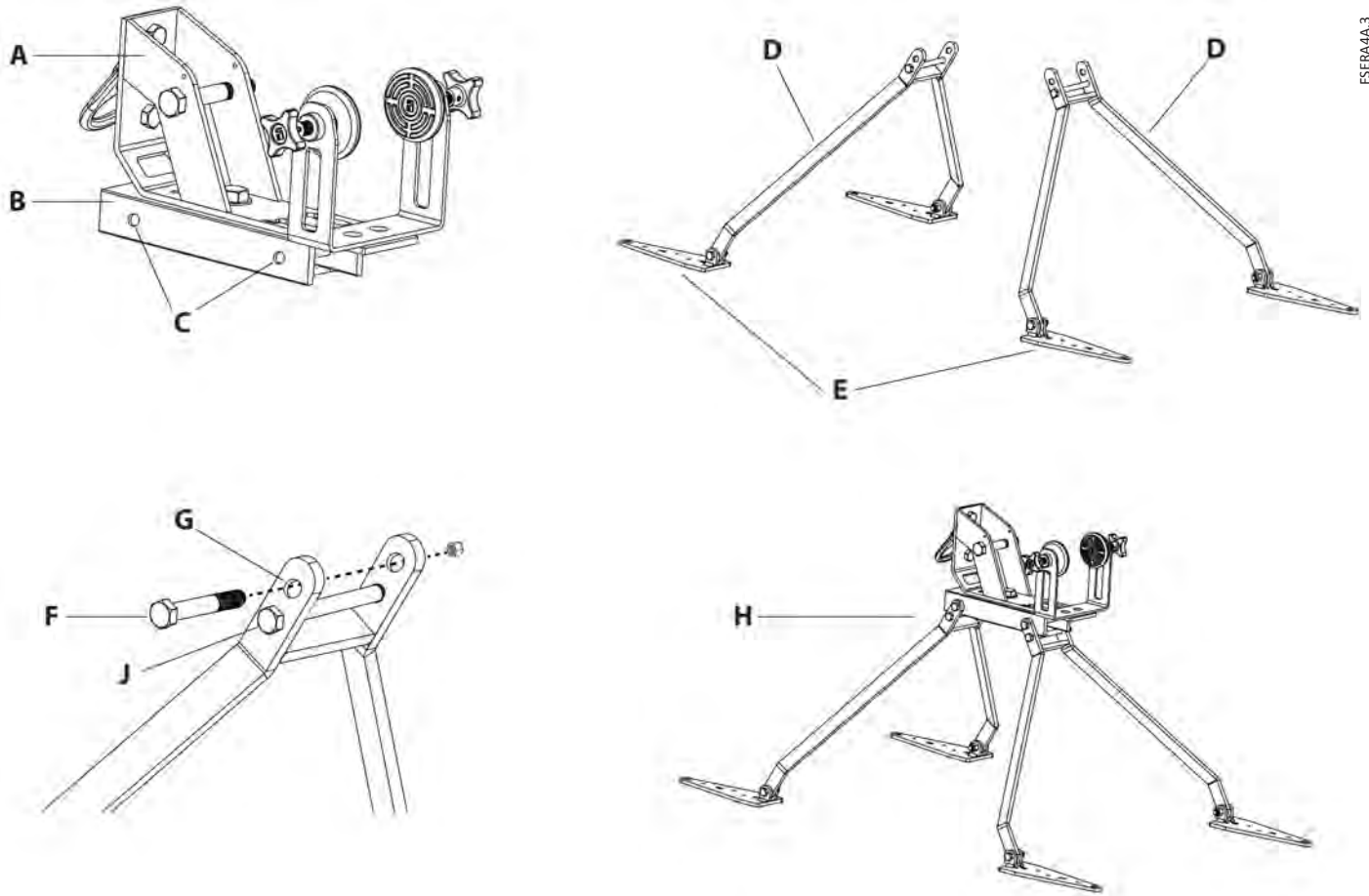
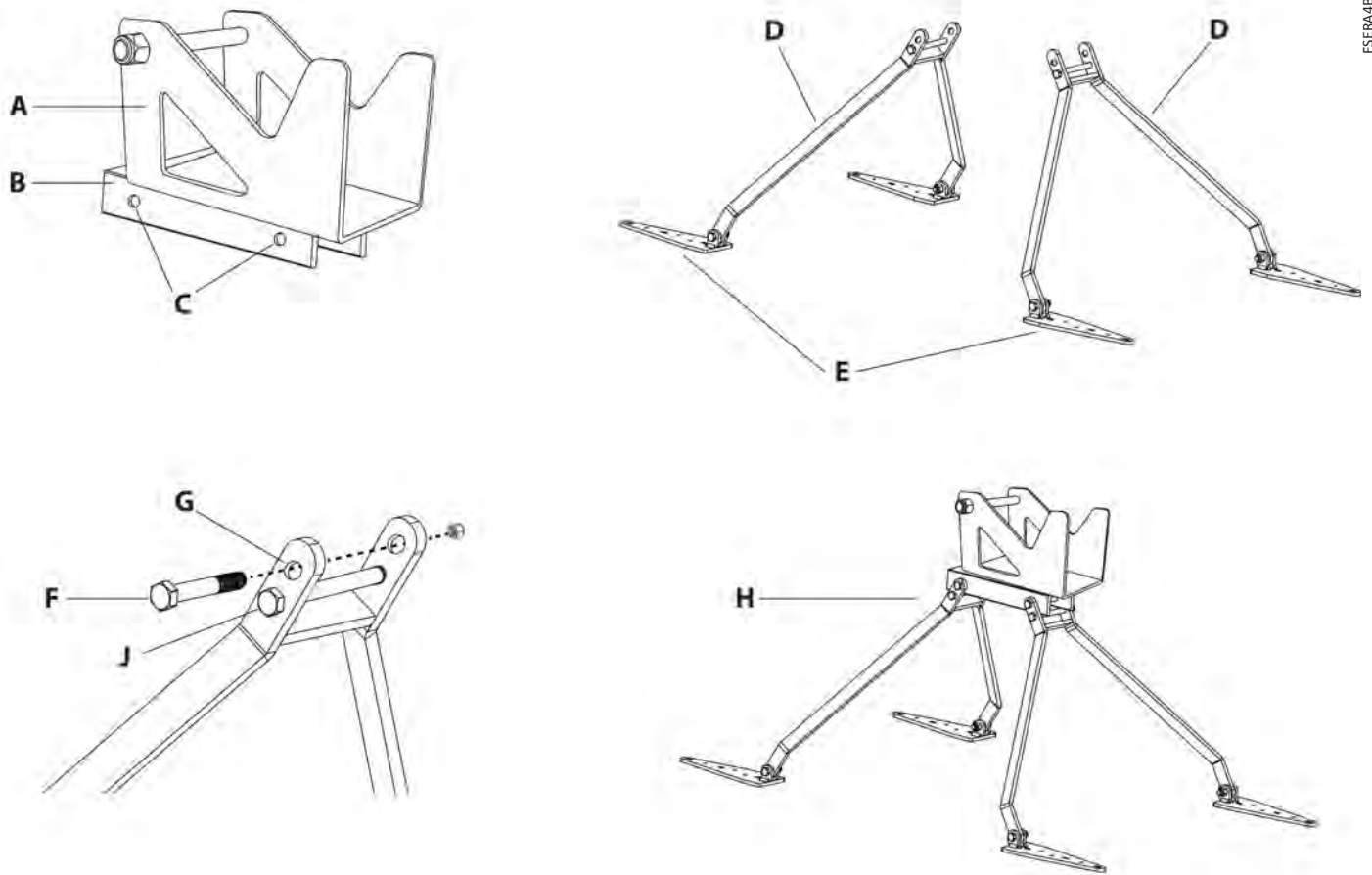


Figure 4A: Leg Assembly (Type A)	
A	SRD Cradle Assembly Type A
B	Cradle Support Base
C	Leg Assembly Cap Screw Holes
D	Anchor Support Legs
E	Installation Plates (4)
F	Leg Assembly Cap Screw and Nut
G	Top Holes on Support Legs
H	Fully Assembled SRD Anchor
J	Bracing Bolt (pre-attached)

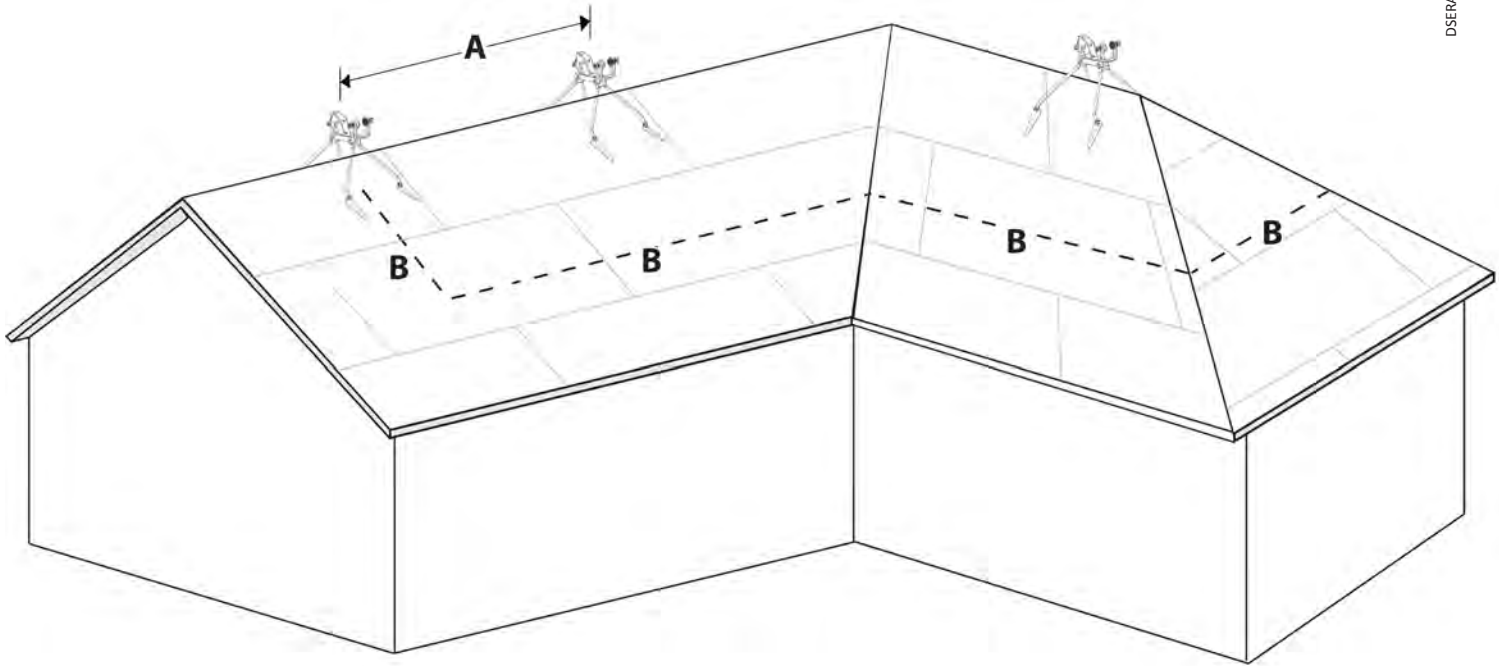
Figura 4A: Ensamblaje de la pata (Tipo A)	
A	Ensamblaje de soporte de SRD Tipo B
B	Base del soporte
C	Agujeros para tornillo con tapa para el ensamblaje de patas
D	Patas de soporte del anclaje
E	Placas de instalación (4)
F	Tornillo con tapa y tuerca para el ensamblaje de patas
G	Agujeros superiores en las patas de soporte
H	Anclaje con SRD completamente ensamblado
J	Perno de sujeción (colocado previamente)



<b>Figure 4B: Leg Assembly (Type B)</b>	
<b>A</b>	SRD Cradle Assembly Type B
<b>B</b>	Cradle Support Base
<b>C</b>	Leg Assembly Cap Screw Holes
<b>D</b>	Anchor Support Legs
<b>E</b>	Installation Plates (4)
<b>F</b>	Leg Assembly Cap Screw and Nut
<b>G</b>	Top Holes on Support Legs
<b>H</b>	Fully Assembled SRD Anchor
<b>J</b>	Bracing Bolt (pre-attached)

<b>Figura 4B: Ensamblaje de la pata (Tipo B)</b>	
<b>A</b>	Ensamblaje de soporte de SRD Tipo B
<b>B</b>	Cradle Support Base
<b>C</b>	Agujeros para tornillo con tapa para el ensamblaje de patas
<b>D</b>	Patatas de soporte del anclaje
<b>E</b>	Placas de instalación (4)
<b>F</b>	Tornillo con tapa y tuerca para el ensamblaje de patas
<b>G</b>	Agujeros superiores en las patas de soporte
<b>H</b>	Anclaje con SRD completamente ensamblado
<b>J</b>	Perno de sujeción (colocado previamente)

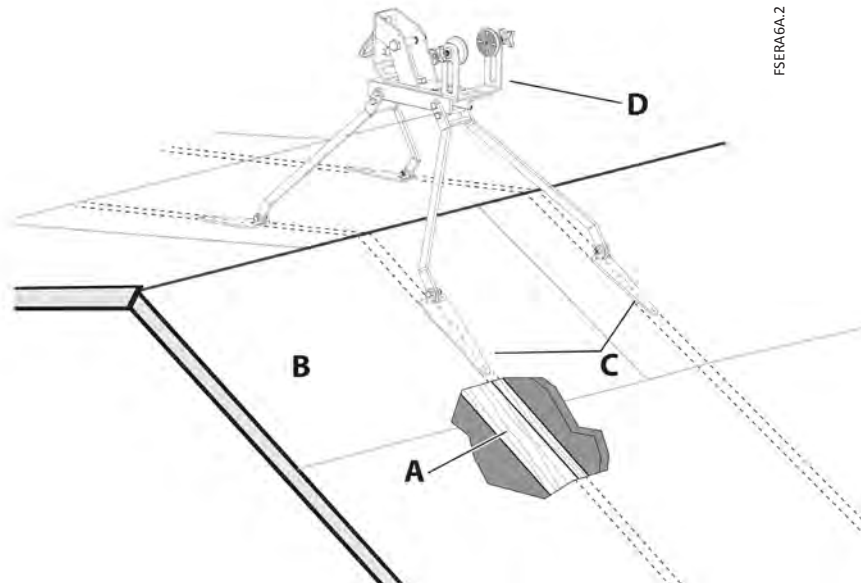
TSERA4B.3



<b>Figure 5: Roof Site Plan for Rotating SRD Anchor Use</b>	
<b>A</b>	Required Spacing Between SRD Anchors to Minimize Swing Fall Hazard
<b>B</b>	Not Closer than 6' From Any Exposed Edge

<b>Figura 5: Plan del sitio para el techo para el uso del anclaje con SRD rotatorio</b>	
<b>A</b>	Espacio requerido entre los anclajes con SRD para minimizar el peligro de caída con balanceo
<b>B</b>	No menos de 6 pies (1,8 m) de cualquier borde expuesto

TSER/AS.1



**Figure 6A: Installation for Wood Roof Structures**

<b>A</b>	Wood Truss Members
<b>B</b>	Substrate Sheathing
<b>C</b>	Installation Plates (4)
<b>D</b>	Rotating SRD Cradle

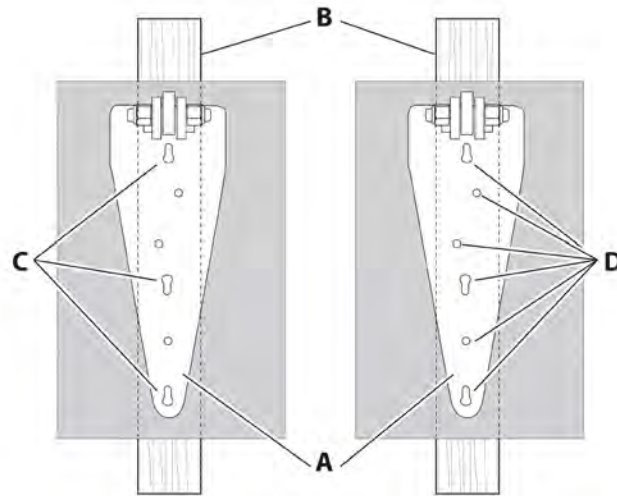
Installation on Wood Roof Structure for both Types A and B always on Trusses.

**Figura 6A: Instalación para estructuras de techo en madera**

<b>A</b>	Miembros de puntales en madera
<b>B</b>	Revestimiento del sustrato
<b>C</b>	Placas de instalación (4)
<b>D</b>	Soporte de SRD rotatorio

Instalación en estructura de techo en madera para ambos Tipos A y B siempre en los puntales.

TSERAGA.1



**Figure 6B: Installation for Wood Roof Structures**

<b>A</b>	Installation Plates
<b>B</b>	Wood Truss Member Under Sheathing
<b>C</b>	Center Holes for Lag Screw Install (3 per plate)
<b>D</b>	Nail Installation Holes (6 per plate)

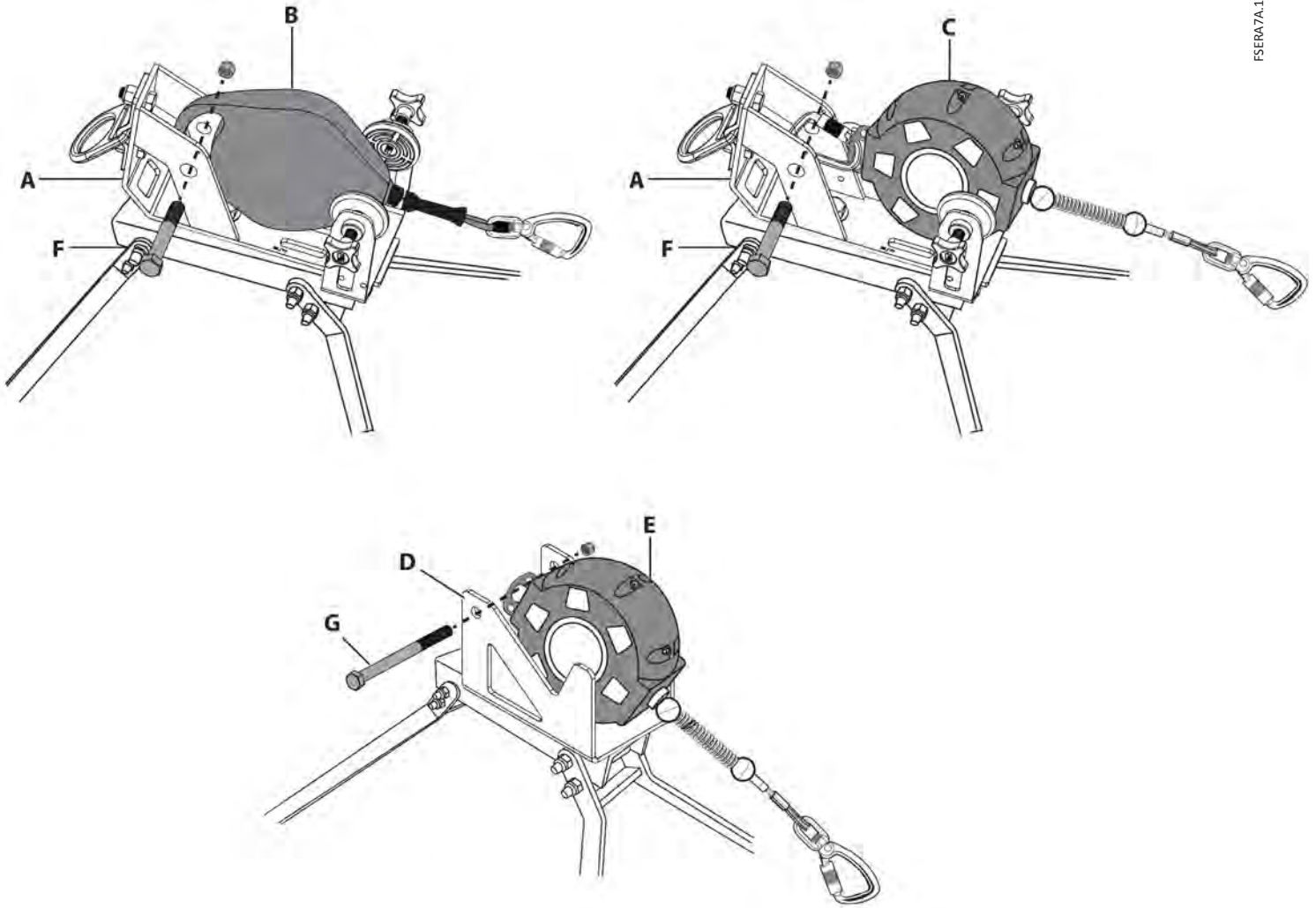
Installation on Wood Roof Structure for both Types A and B always on Trusses.

**Figura 6B: Instalación para estructuras de techo en madera**

<b>A</b>	Placas de instalación
<b>B</b>	Miembro de puntal en madera debajo del revestimiento
<b>C</b>	Agujeros centrales para la instalación de los tornillos (3 por placa)
<b>D</b>	Agujeros para instalación de clavos (6 por placa)

Instalación en estructura de techo en madera para ambos Tipos A y B siempre en los puntales.

TSERAGB.1



**Figure 7A: Connecting SRDs to Anchor Cradles**

<b>A</b>	Rotating SRD Anchor Type A
<b>B</b>	DuraTech SRD
<b>C</b>	Contractor SRD with Carabiner
<b>D</b>	Rotating SRD Anchor Type B
<b>E</b>	Contractor SRD (no Carabiner)
<b>F</b>	5/8" x 4" Grade 5 Cap Screw with Lock Nut
<b>G</b>	5/8" x 6-1/2" Grade 8 Cap Screw with Lock Nut

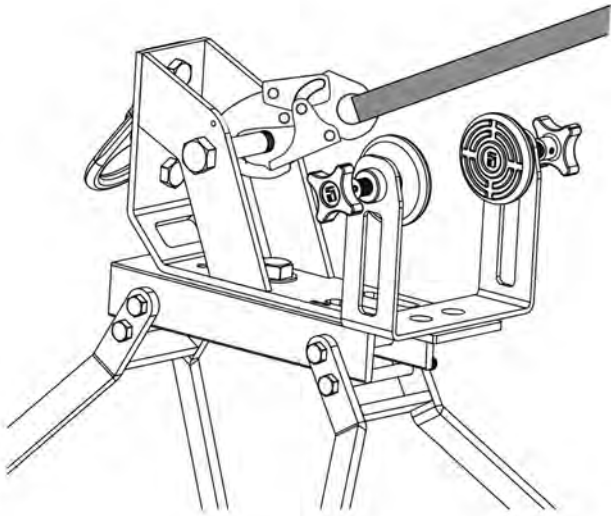
**Figura 7A: Conexión de los SRD a los soportes del anclaje**

<b>A</b>	Anclaje con SRD rotatorio Tipo A
<b>B</b>	SRD DuraTech
<b>C</b>	SRD Contractor con mosquetón
<b>D</b>	Anclaje con SRD rotatorio Tipo B
<b>E</b>	SRD Contractor (sin mosquetón)
<b>F</b>	Tornillo con tapa de 5/8" x 4" de Grado 5 con tuerca de bloqueo
<b>G</b>	Tornillo con tapa de 5/8" x 6-1/2" de Grado 8 con tuerca de bloqueo

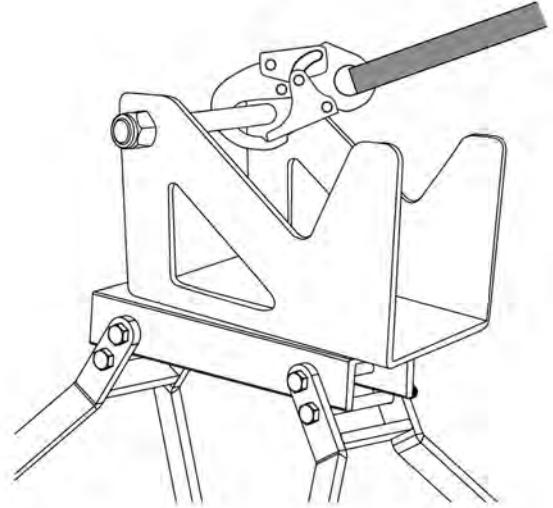
TSERA7A.2



**! INCORRECT  
INCORRECTA**



**! INCORRECT  
INCORRECTA**



**! Figure 7B: Incorrect Use of SRD Anchors !**

Do Not attach any Fall Protection Connectors directly to the SRD Securing Bolts. Securing Bolts are only for attaching SRDs to the cradles.

**! Figura 7B: Uso incorrecto de los anclajes con SRD !**

No conecte los conectores de protección contra caídas directamente a los pernos de sujeción del SRD. Los pernos de sujeción son sólo para conectar los SRD a los soportes.

TSERA7B.2

## APPENDIX B

Fig. 1 - Minimum Clear Fall Requirement: 6 ft Shock Absorbing Lanyard Measured from Overhead Anchorage Connector		
A	6	<b>Length of Shock Absorbing Lanyard</b> Original working length before a fall event occurs/before activation of energy absorber
B	4	<b>Elongation/Deceleration Distance</b> Maximum allowable amount of elongation that may payout from the energy absorber upon activation during a fall event
C	1	<b>Harness Stretch and Dorsal D-Ring Shift</b> Combined amount of harness webbing elongation and dorsal back D-ring up-shift during entire fall event
D	5	<b>Height of Dorsal D-ring</b> Typical average height of the dorsal D-Ring on a user's full body harness measured from the walking/working surface up
E	1½	<b>Safety Factor</b> Added length to account for other factors such as an improperly adjusted harness, actual worker height or worker weight
F	17½	<b>Total Minimum Clear Fall Distance Required</b>

1. Overhead Anchorage 2. Walking/Working Surface 3. Nearest Lower Level or Obstruction

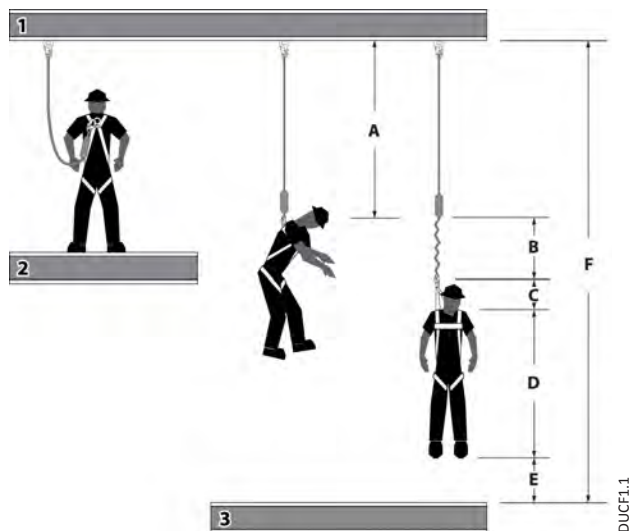


Fig. 1 - Requerimiento mínimo de claridad: línea de vida con amortiguación de impactos de 6 pies Medida desde el conector de anclaje superior		
A	6 pies (1,8 m)	<b>Longitud de la línea de vida con amortiguación de impactos</b> Longitud de trabajo original antes de ocurrir un evento de caída/antes de la activación del amortiguador de impactos
B	4 pies (1,2 m)	<b>Distancia de elongación/desaceleración</b> Cantidad máxima permitida de elongación que se puede emplear del amortiguador de energía al activarse durante un evento de caída
C	1 pie (0,3 m)	<b>Cambio del anillo en "D" dorsal y tramo del arnés</b> Cantidad combinada de la elongación de la red del arnés y el cambio del anillo en "D" dorsal durante un evento de caída completa
D	5 pies (1,5 m)	<b>Altura del anillo en "D" dorsal</b> Altura típica promedio del anillo en "D" dorsal en el arnés de cuerpo completo de un usuario, medida desde la superficie para caminar/trabajar hacia arriba
E	1½ pies (0,5 m)	<b>Factor de seguridad</b> Longitud agregada para contar otros factores tales como un ajuste inapropiado del arnés, la altura real del trabajador o el peso del trabajador
F	17½ pies (5,3 m)	<b>Distancia mínima total de caída despejada requerida</b>

1. Anclaje superior 2. Superficie para caminar/trabajar 3. Nivel inferior más cercano u obstrucción

TUCF1.2

DUCF1.1

Fig. 2 - Minimum Clear Fall Requirement: 12 ft Free Fall Lanyard Measured from Foot Level Anchorage Connector		
A	6	<b>Length of Shock Absorbing Lanyard</b> Original working length before a fall event occurs/before activation of energy absorber
B	5	<b>Elongation/Deceleration Distance</b> Maximum allowable amount of elongation that may payout from the energy absorber upon activation during a fall event
C	1	<b>Harness Stretch and Dorsal D-Ring Shift</b> Combined amount of harness webbing elongation and dorsal back D-ring up-shift during entire fall event
D	5	<b>Height of Dorsal D-ring</b> Typical average height of the dorsal D-Ring on a user's full body harness measured from the walking/working surface up
E	1½	<b>Safety Factor</b> Added length to account for other factors such as an improperly adjusted harness, actual worker height or worker weight
F	18½	<b>Total Minimum Clear Fall Distance Required</b>

1. Walking/Working Surface 2. Nearest Lower Level or Obstruction

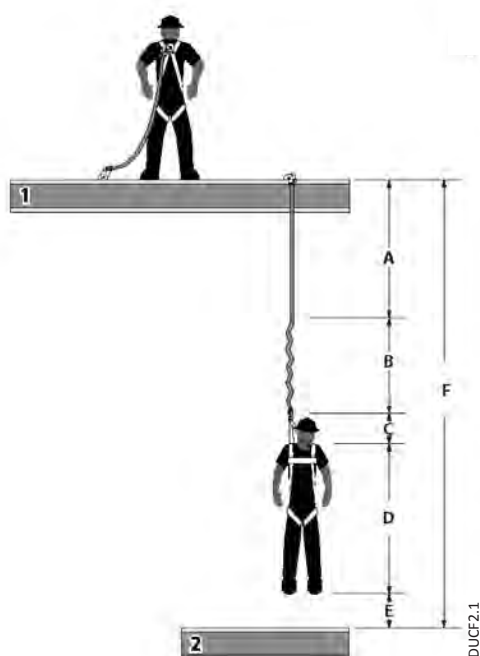


Fig. 2 - Requisito mínimo de caída despejada: línea de vida con amortiguación de impactos para caídas de hasta 12 pies Medida desde el conector de anclaje superior		
A	6 pies (1,8 m)	<b>Longitud de la línea de vida con amortiguación</b> Longitud de trabajo original antes de ocurrir un evento de caída/antes de la activación del amortiguador de energía
B	5 pies (1,5 m)	<b>Distancia de elongación/desaceleración</b> Cantidad máxima permitida de elongación que se puede emplear del amortiguador de energía al activarse durante un evento de caída
C	1 pie (0,3 m)	<b>Cambio del anillo en "D" dorsal y tramo del arnés</b> Cantidad combinada de la elongación de la red del arnés y el cambio del anillo en "D" dorsal durante un evento de caída completa
D	5 pies (1,5 m)	<b>Altura del anillo en "D" dorsal</b> Altura típica promedio del anillo en "D" dorsal en el arnés de cuerpo completo de un usuario, medida desde la superficie para caminar/trabajar hacia arriba
E	1½ pies (0,5 m)	<b>Factor de seguridad</b> Longitud agregada para contar otros factores tales como un ajuste inapropiado del arnés, la altura real del trabajador o el peso del trabajador
F	18½ pies (5,6 m)	<b>Distancia mínima total de caída despejada requerida</b>

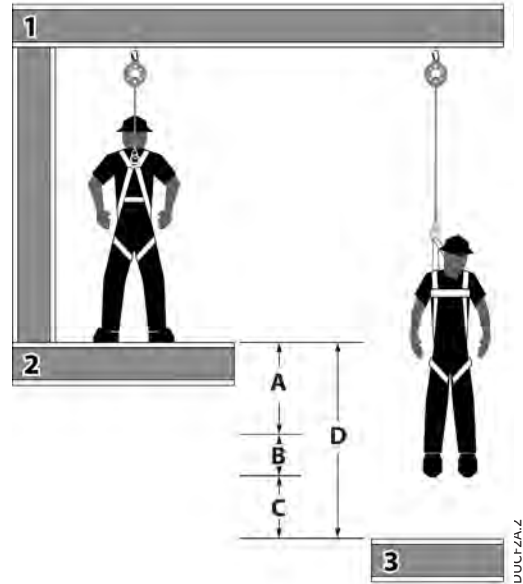
1. Superficie para caminar/trabajar 2. Nivel inferior más cercano u obstrucción

TUCF2.2

DUCF2.1

Fig. 3 - Minimum Clear Fall Requirement: ANSI Class A Self-Retracting Device		
A	2	<b>Activation/Deceleration Distance</b> Maximum allowable length of cable or web that may payout from the SRD once deceleration of the user has begun and after a fall event occurs
B	1	<b>Harness Stretch and Dorsal D-Ring Shift</b> Combined amount of harness webbing elongation and dorsal D-ring up-shift during entire fall event
C	1½	<b>Safety Factor</b> Added length to account for other factors such as an improperly adjusted harness, actual worker height or worker weight
D	4½	<b>Total Minimum Clear Fall Distance Required</b>

1. Overhead Anchorage 2. Walking/Working Surface 3. Nearest Lower Level or Obstruction



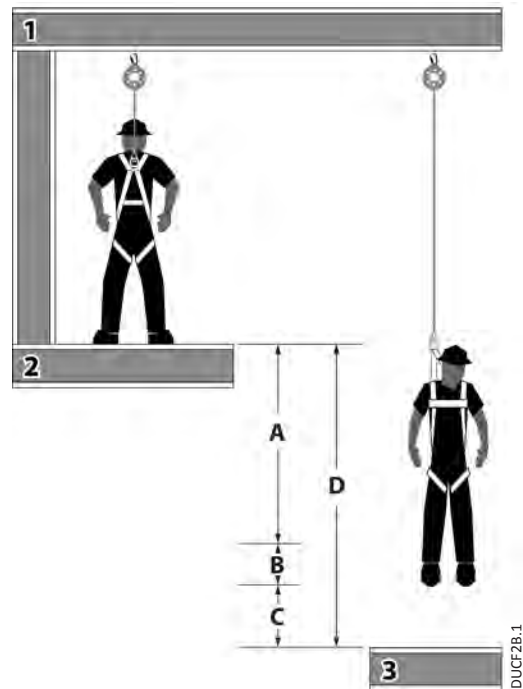
TUCFZA.2

Fig. 3 - Requisito mínimo de caída despejada: Dispositivo auto-retráctil Tipo A de ANSI		
A	2 pies (0,6 m)	<b>Distancia de activación/desaceleración</b> Distancia máxima permitida del cable o red que puede emplearse desde el SRD una vez que la desaceleración del usuario ha comenzado y después de que ocurra un evento de caída
B	1 pie (0,3 m)	<b>Cambio del anillo en "D" dorsal y tramo del arnés</b> Cantidad combinada de la elongación de la red del arnés y el cambio del anillo en "D" dorsal durante un evento de caída completa
C	1½ pies (0,5 m)	<b>Factor de seguridad</b> Longitud agregada para contar otros factores tales como un ajuste inapropiado del arnés, la altura real del trabajador o el peso del trabajador
D	4½ pies (1,4 m)	<b>Distancia mínima total de caída despejada requerida</b>

1. Anclaje superior 2. Superficie para caminar/trabajar 3. Nivel inferior más cercano u obstrucción

Fig. 4 - Minimum Clear Fall Requirement: ANSI Class B Self-Retracting Device		
A	4½	<b>Activation/Deceleration Distance</b> Maximum allowable length of cable or web that may payout from the SRD once deceleration of the user has begun and after a fall event occurs
B	1	<b>Harness Stretch and Dorsal D-Ring Shift</b> Combined amount of harness webbing elongation and dorsal D-ring up-shift during entire fall event
C	1½	<b>Safety Factor</b> Added length to account for other factors such as an improperly adjusted harness, actual worker height or worker weight
D	7	<b>Total Minimum Clear Fall Distance Required</b>

1. Overhead Anchorage 2. Walking/Working Surface 3. Nearest Lower Level or Obstruction



TUCFZB.1

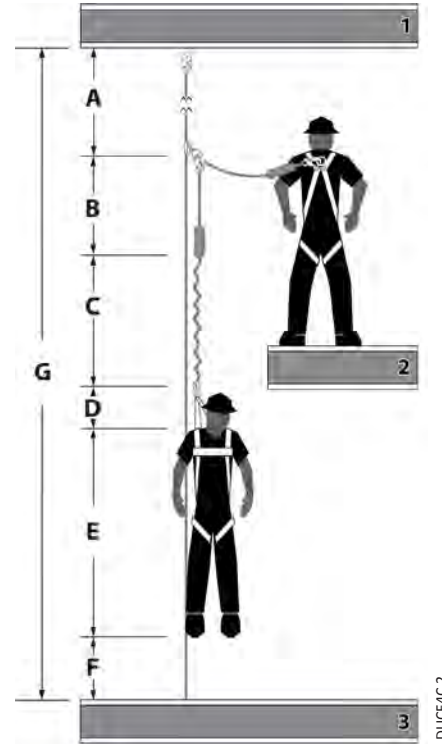
Fig. 4 - Requisito mínimo de caída despejada: Dispositivo auto-retráctil Tipo B de ANSI		
A	4½ pies (1,4 m)	<b>Distancia de activación/desaceleración</b> Distancia máxima permitida del cable o red que puede emplearse desde el SRD una vez que la desaceleración del usuario ha comenzado y después de que ocurra un evento de caída
B	1 pie (0,3 m)	<b>Cambio del anillo en "D" dorsal y tramo del arnés</b> Cantidad combinada de la elongación de la red del arnés y el cambio del anillo en "D" dorsal durante un evento de caída completa
C	1½ pies (0,5 m)	<b>Factor de seguridad</b> Longitud agregada para contar otros factores tales como un ajuste inapropiado del arnés, la altura real del trabajador o el peso del trabajador
D	7 pies (2,1 m)	<b>Distancia mínima total de caída despejada requerida</b>

1. Anclaje superior 2. Superficie para caminar/trabajar 3. Nivel inferior más cercano u obstrucción

DUCFZB.1

Fig. 5 - Managing Stretch		
Minimum Clear Fall Requirement: Vertical Lifeline System		
*A	Stretch	<b>Stretch of Vertical Lifeline</b> Stretch = length of VLL from Anchorage Connector to Rope Grab position on VLL multiplied by 10%
B	3	<b>Length of Shock Absorbing Lanyard</b> Original working length before a fall event occurs/before activation of energy absorber
C	4	<b>Elongation/Deceleration Distance</b> Maximum allowable amount of elongation that may payout from the energy absorber upon activation during a fall event
D	1	<b>Harness Stretch and dorsal D-ring Shift</b> Combined amount of harness webbing elongation and dorsal D-ring up-shift during the fall event
E	5	<b>Height of Dorsal D-ring</b> Average height of the dorsal D-Ring on a user's full body harness measured from the walking/working surface up
F	1½	<b>Safety Factor</b> Added length to account for other factors such as an improperly adjusted harness, actual worker height or worker weight
*G	Add A through F	<b>Total Minimum Clear Fall Distance Required</b> *(must calculate for distance A)

1. Overhead Anchorage 2. Walking/Working Surface 3. Nearest Lower Level or Obstruction



DUCF4C.2

Fig. 5 - Distancia total de caídas		
Requerimiento mínimo de claridad: Sistema de cuerda de salvamento vertical		
*A	Estiramiento	<b>Estiramiento de la cuerda de salvamento vertical</b> Estiramiento = longitud de la VLL desde el conector de anclaje hasta la posición de agarre de la cuerda en VLL multiplicado por 10%
B	3 pies (0,9 m)	<b>Longitud de la cuerda con amortiguación</b> Longitud de trabajo original antes de ocurrir un evento de caída/antes de la activación del amortiguador de energía
C	4 pies (1,2 m)	<b>Distancia de elongación/desaceleración</b> Cantidad máxima permitida de elongación que se puede emplear del amortiguador de energía al activarse durante un evento de caída
D	1 pie (0,3 m)	<b>Cambio del anillo en "D" dorsal y tramo del arnés</b> Cantidad combinada de la elongación de la red del arnés y el cambio del anillo en "D" dorsal durante un evento de caída completa
E	5 pies (1,5 m)	<b>Altura del anillo en "D" dorsal</b> Altura típica promedio del anillo en "D" dorsal en el arnés de cuerpo completo de un usuario, medida desde la superficie para caminar/trabajar hacia arriba
F	1½ pies (0,5 m)	<b>Factor de seguridad</b> Longitud agregada para contar otros factores tales como un ajuste inapropiado del arnés, la altura real del trabajador o el peso del trabajador
*G	Sumar A hasta F	<b>Distancia mínima total de caída despejada requerida</b> *(debe calcular para la distancia A)

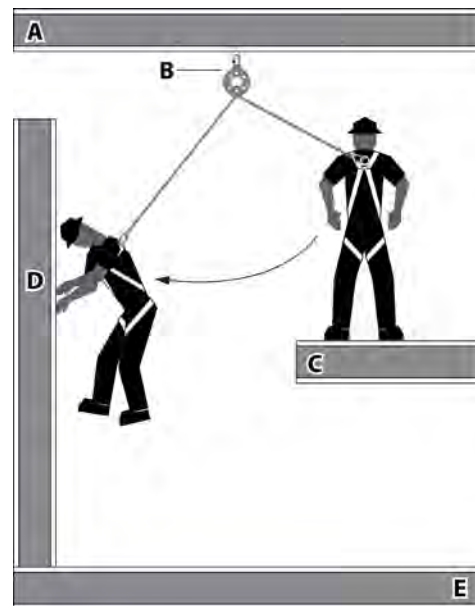
1. Anclaje superior 2. Superficie para caminar/trabajar 3. Nivel inferior más cercano u obstrucción

TUCF4C.1

Fig. 6 - Swing Fall Hazard	
A	Anchorage
B	Self-Retracting Device (SRD)
C	Walking/Working Surface
D	Swing Fall Impact after fall event
E	Next Lower Level or Obstruction

Fig. 6 - Peligro de caída con balanceo	
A	Anclaje
B	Dispositivo autorretráctil (SRD)
C	Superficie para caminar/trabajar
D	Impacto de caída con balanceo después del evento de caída
E	Siguiente nivel inferior u obstrucción

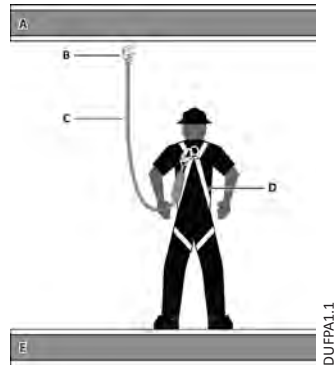
TUSF1.1



DUSF1.2

## Common Fall Protection Applications

Fig. 7 - Fall Arrest (PFAS)	
A	Anchorage
B	Anchorage Connector
C	Shock Absorbing Lanyard (SAL)
D	Full Body Harness (FBH)
E	Walking/Working Surface

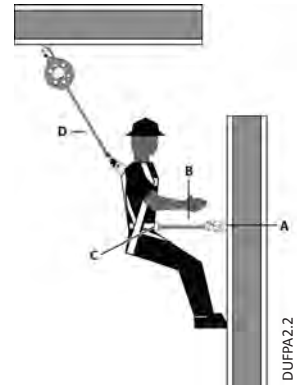


TUFFPA1.1

DUFFPA1.1

Fig. 7 - Detención de caídas (PFAS)	
A	Anclaje
B	Conector de anclaje
C	Cuerda de salvamento con amortiguación (AL)
D	Arnés de cuerpo completo (FHB)
E	Superficie para caminar/trabajar

Fig. 8 - Work Positioning	
A	Positioning Ancho
B	Positioning Lanyard
C	Full Body Harness (FBH) with Side D-Rings
D	Back-up Fall Arrest (PFAS)

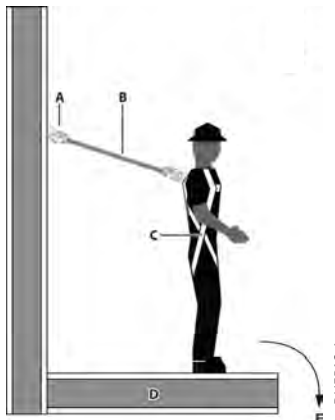


TUFFPA2.1

DUFFPA2.2

Fig. 8 - Posicionamiento del trabajo	
A	Anclaje de posicionamiento
B	Cordón de posicionamiento
C	Arnés de cuerpo completo (FBH) con anillos en "D" laterales
D	Detención de caídas de respaldo (PFAS)

Fig. 9 - Restraint	
A	Restraint Anchor
B	Restraint Lanyard
C	Full Body Harness (FBH)
D	Walking/Working Surface
E	Fall Hazard Area

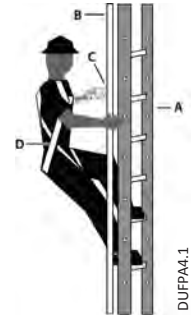


TUFFPA3.1

DUFFPA3.1

Fig. 9 - Restricción	
A	Anclaje de restricción
B	Cordón de restricción
C	Arnés de cuerpo completo (FHB)
D	Superficie para caminar/trabajar
E	Área de peligro de caídas

Fig. 10 - Climbing	
A	Fixed Ladder
B	Ladder Safety System
C	Safety Sleeve/Grab/Trolley
D	Full Body Harness (FBH) with Front D-Ring



TUFFPA4.1

DUFFPA4.1

Fig. 10 - Escalar	
A	Escalera fija
B	Sistema seguridad de escalera
C	Funda de seguridad/agarre/carrito
D	Arnés de cuerpo completo (FBH) con anillo en "D" delantero

Fig. 11 - Suspension/Personnel Riding	
A	Suspension Line
B	Suspension Yoke
C	Boatswain's Chair/Work Seat
D	Full Body Harness (FBH)
E	Back-up Fall Arrest (PFAS)



DUFFPAS.1

Fig. 11 - Montaje de personal/suspensión	
A	Línea de suspensión
B	Balancín de suspensión
C	Asiento/silla de trabajo de especialista de maniobra
D	Arnés de cuerpo completo (FHB)
E	Detención de caídas de respaldo (PFAS)

TUFFPAS.1

Fig. 12 - Rescue/Retrieval	
A	Retrieval Line
B	Retrieval Yoke
C	FBH Shoulder D-Rings
D	Full Body Harness (FBH)



TUFFPA6.1

DUFFPA6.1

Fig. 12 - Rescate/Retirada	
A	Línea de rescate
B	Balancín de rescate
C	Anillos en "D" para los hombros del FBH
D	Arnés de cuerpo completo (FHB)

