



Instructions for Use

Permanent Truss Roof Anchors

This manual is intended to meet the Manufacturer's Instructions as required by ANSI Z359 and should be used as part of an employee training program as required by OSHA. This manual assumes the user has been trained in the use of this equipment.

WARNING

This product is part of a personal fall arrest, restraint, and work positioning, suspension, or rescue system. A Personal Fall Arrest System (PFAS) is typically composed of an anchorage and a Full Body Harness (FBH), with a connecting device, i.e., a Shock Absorbing Lanyard (SAL), or a Self-Retracting Device (SRD), attached to the dorsal D-ring of the FBH. These instructions must be provided to the user of this equipment. The user must read and understand the manufacturer's instructions for each component or part of the complete system. Manufacturer's instructions must be followed for proper use, care, and maintenance of this product. These instructions must be retained and be kept available for the user's reference at all times. Alterations or misuse of this product, or failure to follow instructions, may result in serious injury or death.

A Fall Protection Plan must be on file and available for review by all users. It is the responsibility of the user and the purchaser of this equipment to assure that users of this equipment are properly trained in its use, maintenance, and storage.

Training must be repeated at regular intervals. Training must not subject the trainee to fall hazards.

When this equipment is in use the employer must have a rescue plan and the means at hand to implement it and communicate that plan to users, authorized persons, and rescuers.

Consult a doctor if there is reason to doubt your ability to safely absorb the shock of a fall event. Age and fitness seriously affect a worker's ability to withstand falls. Pregnant women or minors must not use this equipment.

NOTE: For more information on American National Standards Institute see ANSI Z359.

FallTech

1306 South Alameda Street
Compton, CA 90221, USA
1-800-719-4619
1-323-752-0066

www.falltech.com

©2014

TABLE OF CONTENTS

1. DESCRIPTION	
1.2 Occupational Safety and Health Act (OSHA) Regulations	4.4.1 Install the anchor with sheathing in place
2. APPLICATION	4.4.2 Install the Anchor without Sheathing
2.1 Purpose	4.4.2.1 Install The Anchor with The Truss on the Ground:
2.1.1 Fall Arrest Application	4.4.2.2 Install the Anchor with the Truss on the Structure
2.1.2 Restraint Application	
2.1.3 Application Limits	
3. SYSTEM REQUIREMENTS	4.5 Optional Flange and Cap
3.1 Capacity	4.5.1 Install the Flange and Cap
3.2 Compatibility of Connectors	4.5.2 Roof Material Limitations
3.3 Compatibility of Components	4.6 Connect to the Roof Anchor
3.4 Making Connections	4.7 After a Fall
3.5 Personal Fall Arrest System	4.8 At Job Completion
3.5.1 PFAS Anchorage Strength	5. SPECIFICATIONS
3.6 Restraint System	6. MAINTENANCE AND STORAGE
3.7 Definitions	6.1 Storage
4. INSTALLATION AND OPERATION	7. INSPECTION
4.1 General Installation Requirements	8. LABELS
4.2 Fall Clearance Distance	APPENDIX A: Table 1, Figures 1 – 8
4.3 Swing Fall	APPENDIX B: Acronyms and Abbreviations for Fall Protection, Figures 1 – 13, Inspection Record
4.4 Install the Permanent Truss Roof Anchor	

1. DESCRIPTION

The FallTech® Permanent Truss Roof Anchor discussed in this manual is designed to provide an easily installed anchorage for persons working at height on wood structures and subject to fall hazards. The anchor consists of 304 stainless steel, with installation holes and an 11/16" connector attachment hole. An anchor flange and finishing cap may be included with the anchor. This manual has two Appendices, Appendix A and Appendix B. Appendix A contains figures and tables specific to the anchor discussed in this manual. Appendix B contains supporting figures and tables relevant to Fall Protection in general.

See Figure 1 and Table 1 in Appendix A. For purposes of this manual, the anchor may be referred to as the anchor, the equipment, or the unit.

1.2 Occupational Safety and Health Act (OSHA) Regulations: The anchor discussed in this manual was tested via static and dynamic performance tests and meets OSHA regulations 1926.502.

2. APPLICATION

2.1 Purpose: The anchor is designed for use as a permanent anchorage for a Personal Fall Arrest System (PFAS) in residential and commercial pitched wood roof applications, both during and after construction. The anchor may also be used in restraint applications. Take caution to avoid placing a side load on the anchor as this may deform the unit. See paragraph 4.3 for load direction limitations.

2.1.1 Personal Fall Arrest System Application: Fall Arrest systems typically include a Full Body Harness (FBH) and a deceleration device such as a Shock Absorbing Lanyard (SAL), a Self-Retracting Device (SRD), or a Fall Arrestor Connector Subsystem (FACSS). Maximum permissible free fall is six feet. See Figure 2 in Appendix A.

2.1.2 Restraint Application: The anchor may be used as part of a restraint system, which is composed of the necessary connectors used to restrict the user's movements to prevent the user from reaching a location where a fall hazard exists. There are two types; one is composed

of an FBH and a short tether attached to the anchorage. Another type is composed of an FBH, a lanyard connected to a rope adjuster equipped with a park feature, which is attached to a weighted Vertical Lifeline (VLL), which is connected to the anchor. See Figure 3 in Appendix A.

2.1.3 Application Limits: Take action to avoid moving machinery, sharp edges, abrasive surfaces, and thermal, electrical and chemical hazards.

DO NOT attach more than one worker to the anchor at one time.

3. SYSTEM REQUIREMENTS

3.1 Capacity: The capacity of the anchor in Specifications is listed as 425 lbs. (193 kg) including tools, clothing, etc.

3.2 Compatibility of Connectors: Connectors are considered compatible with connecting elements when they have been designed to work together in such a way that their sizes and shapes do not cause their gate mechanisms to open inadvertently, regardless of how they become oriented. Contact FallTech if you have any questions about compatibility. Connectors must be compatible with the anchorage or other system components. Do not use equipment that is not compatible. Non-compatible connectors may unintentionally disengage. Connectors must be compatible in size, shape, and strength. Self-closing, self-locking snap hooks and carabiners are required by OSHA.

3.3 Compatibility of Components: Equipment is designed for use with approved components and subsystems only. Substitutions or replacements made with non-approved components or subsystems may jeopardize compatibility of equipment and may affect the safety and reliability of the complete system.

3.4 Making Connections: Only use self-locking snap hooks and carabiners with this equipment. Only use connectors that are suitable to each application. Ensure all connections are compatible in size, shape and strength. Do not use equipment that is not compatible. Visually ensure all connectors are fully closed and locked. Connectors (snap hooks and carabiners) are designed for use only as specified in the user instruction manual provided with each product. See Figure 13 in Appendix B.

DO NOT use rebar hooks or any large-throat opening hooks with this anchor.

3.5 Personal Fall Arrest System: The additional PFAS components used with this equipment must meet applicable OSHA requirements. A FBH must be worn when this equipment is used as a component of a PFAS. As required by OSHA, the personal fall arrest system must be able to arrest the user's fall with a maximum arresting force of 1,800 lbs., and limit the free fall to 6 feet or less. If the maximum free fall distance must be exceeded, the employer must document, based on test data, that the maximum arresting force will not be exceeded, and the personal fall arrest system will function properly.

3.5.1 PFAS Anchorage Strength: The anchor shown in Table 1 is listed as having a minimum tensile strength of 3,600lbs. To maintain OSHA compliance, the structure where the unit is installed must be capable of supporting at least 5,000lbs, or be designed, installed and used as part of a PFAS, which maintains a safety factor of at least 2:1, under the supervision of a qualified person.

3.6 Restraint System: Anchorages selected for fall restraint systems must be rigged to prevent a worker from reaching a fall hazard and falling over the edge. A fall restraint system may consist of an FBH, connected via a lanyard to an anchor configured to prevent the worker from reaching the edge of the roof.

3.7 Definitions: The following are definitions of terms as defined in ANSI Z359.0-2012.

Authorized Person: A person assigned by the employer to perform duties at a location where the person will be exposed to a fall hazard (otherwise referred to as "user" for the purpose of these instructions).

Certified Anchorage: An anchorage for fall arrest, positioning, restraint, or rescue systems that a qualified person certifies to be capable of supporting the potential fall forces that could be

encountered during a fall or that meet the criteria for a certified anchorage prescribed in the standard.

Competent Person: One who is capable of identifying existing and predictable hazards in the surroundings or working conditions which are unsanitary, hazardous, or dangerous to employees, and who has authorization to take prompt corrective measures to eliminate them.

Qualified Person: A person with a recognized degree or professional certificate and with extensive knowledge, training, and experience in the fall protection and rescue field who is capable of designing, analyzing, evaluating and specifying fall protection and rescue systems to the extent required by the standard.

Rescuer: Person or persons other than the rescue subject acting to perform an assisted rescue by operation of a rescue system.

4. INSTALLATION AND OPERATION

4.1 General Installation Requirements: Plan the installation of the anchor with user safety in mind. The anchor is designed for roof installation on wood frame trusses of a minimum of 2" x 4". Installation may be accomplished with the sheathing in place, or before the sheathing is installed. Installation of anchorages must be under the supervision of a competent person trained in their design and use. Install the anchors a minimum of six feet from any exposed roof edge. If necessary, install additional anchors, a maximum of eight feet apart.

If the anchor cannot be installed at least six feet from an edge, install it as far from the edge as possible. On hip roofs, and other very small roof areas, locate the anchor as far from the roof edge as possible. See Figure 4 in Appendix A.

NOTE: Approved fall protection may be required during installation of all anchorage units discussed in this manual.

DO NOT

- Install the anchor on unsupported roof areas such as eaves, gables, and overhangs.
- Use an anchor installed downslope on the opposite side of the ridge. Install a separate anchor.
- Install the anchor over knots in the wood or on a decayed or damaged truss.
- Use the anchorage until the system has been completely installed, inspected, and approved for use by a competent person.
- Work above the anchor. If work must be performed above the anchor use caution. A fall may increase the load placed on the anchor.

4.2 Fall Clearance Distance: Take action to reduce the danger of falls. Ensure sufficient clearance in the fall area to arrest the fall before striking the ground or other objects. The actual clearance required is dependent upon the type of connecting subsystem used (energy absorbing lanyard, self-retracting device, etc.). Refer to connecting subsystem manufacturer's instructions for fall clearance information.

4.3 Swing Fall: Swing falls occur when the anchorage point is not directly above the point where a fall occurs. The total fall distance may be greatly increased during a swing fall. The force of striking an object in a swing fall may cause serious injury. Minimize swing falls by installing anchors at least six feet from exposed roof edges and by working as directly below the anchorage point as possible. The user must be positioned within 30 degrees of the roof anchor. See Figures 5 and 6 in Appendix A.

4.4 Install the Permanent Truss Roof Anchor: This anchor is designed for installation on a truss in a wood frame structure, for personal fall arrest or restraint applications. The unit is intended as a permanent anchor, to be used during the construction process and left in place for further use. The anchor may be installed with or without the sheathing in place.

4.4.1 Install the Anchor with Sheathing in Place: Mark the anchor location on top of the sheathing, directly over a truss, as shown in Figure 8A. Cut a slot in the sheathing, 4-1/4" by 2", centered on the truss, with the length along the truss, the width across the truss. Take caution and do not cut the truss. Place the anchor on the truss, with the nailing tabs on each side.

Ensure the anchor is seated securely. The installer will need to get below the sheathing, into the attic or crawl space, to drive in the provided eight 1-1/2" stainless steel nails in the nail holes. Ensure each nail is completely seated. See Figure 7.

4.4.2 Install the Anchor without Sheathing: The anchor may be installed without the sheathing, either on the ground on a preformed truss, or on a truss already in place on the structure.

4.4.2.1 Install the Anchor with The Truss on the Ground: Take into account where on the roof the anchor will be and place it on the appropriate truss. Ensure the anchor is fully seated on the truss, as shown in Figure 7. Drive in the eight provided 1-1/2" stainless steel nails. Ensure each nail is fully seated. If the installed anchor will be used for fall protection or fall restraint before the sheathing is installed, the truss will require bracing. See paragraph 4.4.2.2.

4.4.2.2 Install the Anchor with the Truss on the Structure: Before an anchor can be installed on an unsheathed truss, brace the truss to prevent rotation and provide lateral stability in accordance with the requirements specified in the building's construction drawings and the drawings for the individual truss designs. In the absence of specific bracing requirements, brace the truss in accordance with accepted industry practices.¹ In addition, consult a qualified person. When the sheathing is installed, a notch will be required where the anchor is. Mark the anchor location on the two adjacent sheathing pieces as show in Figure 8B. From each, cut a 1-1/4" x 2-3/8" notch, the long side centered on the anchor. The two notches come together around the anchor to facilitate easy removal of the anchor.

4.5 Optional Flange and Cap: A flange and cap are provided in the permanent anchor kit to weather seal the permanent anchor and protect the anchor from environmental hazards. If the user did not purchase the flange and cap, the user must take precautions to ensure the permanent anchor installation is weather-tight and the anchor is protected against environmental hazards.

4.5.1 Install the Flange and Cap: Follow these steps;

- A flange and cap may be provided for weather sealing and to protect the anchor against weather and environmental hazards. Nails are provided for securing the flange. The installer is responsible for water sealing. Ensure the flange is installed according to best practices².
- Slide the cap down over the anchor. Line up the zip tie tabs. Secure the cap with the zip tie as shown in Figure 9 of Appendix A. Leave enough slack to remove and replace the cap. Trim the roofing material to accommodate the anchor during roofing material installation.

4.5.2 Roof Material Limitations: Install roofing materials. Ensure roof does not exceed a maximum thickness of 3-1/2". Ensure a minimum of 3-1/2" of the anchor is visible above the roofing material.

4.6 Connect To The Roof Anchor: Attach a compatible PFAS or restraint system to the anchor. Read and follow the manufacturer's instructions for the fall protection or restraint equipment of choice. A shock-absorbing device, an SAL or SRD, or a FACSS, is required for use as part of a PFAS.

DO NOT attach a rebar hook or any large-throat opening connector to the anchor. An unintentional disengagement could occur. Use only compatible snap hooks or carabiners for connecting to the anchor.

4.7 After a Fall: Any equipment subjected to fall arrest forces or exhibiting damage consistent with the effect of a fall event must be tagged as "UNUSABLE".

4.8 At Job Completion: The anchor is designed as a permanent reusable anchor. There is no need for de-installation. Inspect before each use. See Section 7.

NOTE: The anchor is designed as a permanent installation. If removed, the anchor may not be re-installed and re-used.

¹ See the current revision of the Structural Building Components Association Building Component Safety Information, Guide to Good Practice for Handling, Installing, and Bracing of Metal Plate Connected Wood Trusses.

² See the current revision of the International Residential Code, Section R903.2

DO NOT re-install and re-use the anchor.

5. SPECIFICATIONS

See Table 1 in Appendix A

6. MAINTENANCE AND STORAGE

No regular maintenance is required for this equipment.

7. INSPECTION OF PERMANENT ROOF ANCHORS

Prior to each use, the user must inspect the anchor for any physical damage.


Remove the cap, and inspect for:

1. cracks or fractures
2. corrosion
3. bent or otherwise deformed shape

If routine inspection reveals damage to the anchor, tag the anchor as "UNUSABLE".


8. LABELS

The following labels must be present and legible.



Permanent Roof Truss Anchor


Model #: 7249SS
Material: Stainless Steel
Min Break Strength: 3600 lbs.
Max Capacity: 425 lbs. including clothing, tools, etc.
OSHA 1926.502

 **WARNING**

WARNING: USER MUST READ AND FOLLOW INSTRUCTIONS SUPPLIED WITH THIS PRODUCT AT TIME OF SHIPMENT. FAILURE TO DO SO MAY RESULT IN SERIOUS INJURY OR DEATH. AVOID CONTACT WITH SHARP EDGES AND ABRASIVE SURFACES. MAKE ONLY COMPATIBLE CONNECTIONS. SEE INSTRUCTIONS FOR RESTRICTIONS ON USE WITH COMPONENTS, SUBSYSTEMS, OR SYSTEMS WITH WHICH THIS PRODUCT IS DESIGNED TO BE USED. SEE INSTRUCTIONS FOR INSPECTION PROCEDURES. TAKE ACTION TO AVOID THERMAL, ELECTRICAL, AND CHEMICAL HAZARDS.

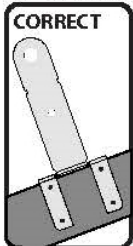
Date of Mfg:
Serial #:

LBLTR1 02/2014
DO NOT REMOVE LABEL

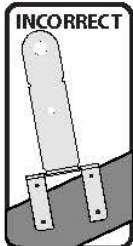


INSTALLATION:

Attach anchor, connection side up, over a wooden truss, a minimum of 6 ft. from any edge. Drive in the eight provided 1-1/2" stainless steel nails through the nail holes and into the truss. See the user instruction manual for complete installation requirements.



CORRECT



INCORRECT

PROPER USE:
This anchor is designed to be used as part of a personal fall arrest system that limits maximum arrest forces to 1800 lbs. Work as directly below the anchor as possible. Do not exceed the 30 degree working range. Attach to anchor via carabiner or snap hook only, do not use a rebar hook. A SRD may be attached to the anchor provided the work location is below the anchor point. See the Instruction Manual for details.

INSPECTION:
Inspect before each use. Check for cracks and corrosion. Do not use if inspection reveals unsafe or defective condition. This product is not user repairable. Refer to instruction manual for complete inspection procedures.

MARK ON DATE (G R I D A) INITIAL SERVICE DATE
(B) DATE OF PAS SED INSPECTION - IF UNIT FAILS INSPECTION REMOVE IT FROM SERVICE

	J	F	M	A	M	J	J	A	S	O	N	D
2014												
2015												
2016												
2017												

LBLTR2 02/2014
DO NOT REMOVE LABEL



Instrucciones para usar

Anclajes para techo con puntal permanente

Este manual está destinado a cumplir con las instrucciones del fabricante, según lo requerido por ANSI Z359 y debe utilizarse como parte de un programa de capacitación para empleados según se requiere por la OSHA. Este manual asume que el usuario ha sido capacitado en el uso de este equipo.

ADVERTENCIA

Este producto es parte de un sistema personal de detención de caídas, de restricción, posicionamiento del trabajo, suspensión o de rescate. Un Sistema personal de detención de caídas (PFAS, por sus siglas en inglés) por lo general está compuesto de un anclaje y un Arnés de cuerpo completo (FBH, por sus siglas en inglés), con un dispositivo de conexión, es decir, una Cuerda de salvamento con amortiguación (SAL, por sus siglas en inglés), o un Dispositivo autorretráctil (SRD, por sus siglas en inglés), conectado al anillo en "D" dorsal del FBH. Estas instrucciones se deben proporcionar al usuario de este equipo. El usuario debe leer y comprender las instrucciones del fabricante para cada componente o parte del sistema completo. Las instrucciones del fabricante deben seguirse para el uso, cuidado y mantenimiento correctos de este producto. Estas instrucciones deben conservarse y mantenerse disponibles para consulta del usuario en todo momento. Las alteraciones o el uso indebido de este producto o no seguir las instrucciones pueden causar lesiones graves o la muerte.

Un Plan de protección contra caídas debe estar archivado y disponible para su revisión por parte de todos los usuarios. El usuario y el comprador de este equipo tienen la responsabilidad de asegurarse de que los usuarios de este equipo están debidamente capacitados sobre su uso, mantenimiento y almacenamiento.

La capacitación se debe repetir a intervalos regulares. La capacitación no debe someter a los usuarios a peligros de caídas.

Cuando este equipo está en uso, el empleador debe tener un plan de rescate y los medios a la mano para implementarlo, y debe comunicar el plan a los usuarios, las personas autorizadas y al personal de rescate.

Consulte a un médico si hay razones para dudar de su capacidad para absorber con seguridad el impacto de un evento de caída. La edad y el estado físico afectan gravemente a la capacidad de los trabajadores para soportar caídas. Las mujeres embarazadas y los menores de edad no deben utilizar este equipo.

NOTA: Para obtener más información sobre el Instituto Nacional de Normas de los Estados Unidos, consulte ANSI Z359.

FallTech

1306 South Alameda Street

Compton, CA 90221, USA

1-800-719-4619

1-323-752-0066

www.falltech.com

©2014

ÍNDICE

1. DESCRIPCIÓN

1.2 Reglamentos de la Ley de Seguridad y Salud Ocupacional (OSHA)

2. APLICACIÓN

2.1 Objetivo

2.1.1 Aplicación de detención de caídas

2.1.2 Aplicación de restricción

2.1.3 Límites de la aplicación

3. REQUISITOS DEL SISTEMA

3.1 Capacidad

3.2 Compatibilidad de conectores

3.3 Compatibilidad de componentes

3.4 Realizar las conexiones

3.5 Sistema personal de detención de caídas

3.5.1 Resistencia del anclaje del PFAS

3.6 Sistema de restricción

3.7 Definiciones

4. INSTALACIÓN Y OPERACIÓN

4.1 Requisitos generales de instalación

4.2 Distancia de caída despejada

4.3 Caída con balanceo

4.4 Instalar el anclaje para techo con puntal permanente

4.4.1 Instalar el anclaje con el revestimiento en su lugar

4.4.2 Instalar el anclaje sin el revestimiento

4.4.2.1 Instalar el anclaje con el puntal en el piso

4.4.2.2 Instalar el anclaje con el puntal en la estructura

4.5 Brida y tapa opcionales

4.5.1 Instalar la brida y la tapa

4.5.2 Limitaciones de los materiales del techo

4.6 Conectar al anclaje del techo

4.7 Después de una caída

4.8 Al concluir el trabajo

5. ESPECIFICACIONES

6. MANTENIMIENTO Y ALMACENAMIENTO

6.1 Almacenamiento

7. INSPECCIÓN

8. ETIQUETAS

APÉNDICE A: Tabla 1, Figuras 1 – 8

APÉNDICE B: Las siglas y abreviaturas de Protección contra caídas, Figuras 1 – 13, Registro de inspección

1. DESCRIPCIÓN

El Anclaje para techo con puntal permanente FallTech® cubierto en este manual está diseñado para proporcionar un anclaje montado fácilmente para las personas que trabajan en alturas en estructuras de madera y que están sujetas a peligros de caídas. El anclaje consiste en acero inoxidable 304, con agujeros de instalación y un agujero de fijación del conector de 11/16". Una brida de anclaje y la tapa de acabado se pueden incluir con el anclaje.

Este manual contiene dos apéndices, el Apéndice A y el Apéndice B. El Apéndice A contiene las figuras y las tablas específicas para el anclaje descrito en este manual. El Apéndice B contiene las figuras y las tablas aplicables a la protección contra caídas en general.

Consulte la Figura 1 y la Tabla 1 en el Apéndice A. Para los efectos de este manual, los anclajes se pueden denominar como el anclaje, el equipo o la unidad.

1.2 Reglamentos de la Ley de Seguridad y Salud Ocupacional (OSHA): El anclaje descrito en este manual ha sido comprobado mediante pruebas de rendimiento estático y dinámico y cumple con los reglamentos 1926.502 de la OSHA.

2. APLICACIÓN

2.1 Objetivo: El anclaje está diseñado para su uso como un anclaje permanente para un Sistema personal de detención de caídas (PFAS, por sus siglas en inglés) en aplicaciones de techo de madera residencial y comercial, tanto durante como después de la construcción. El anclaje también se puede utilizar en aplicaciones de restricción. Tenga cuidado para evitar colocar una carga lateral en el anclaje ya que puede deformar la unidad. Consulte el párrafo 4.3 para las limitaciones de la dirección de la carga.

2.1.1 Aplicación del Sistema personal de detención de caídas: Los sistemas de detención de caídas incluyen por lo general un Arnés de cuerpo completo (FBH) y un dispositivo de desaceleración, tales como una Cuerda con amortiguación (SAL), un Dispositivo autorretráctil

(SRD), o un Subsistema de conexión de detenedor de caídas (FACSS). La caída libre máxima permitida es de seis pies (1,8 m). Consulte la Figura 2 en el Apéndice A.

2.1.2 Aplicación de restricción: El anclaje se puede utilizar como parte de un sistema de restricción, el cual está compuesto de los conectores necesarios utilizados para restringir los movimientos del usuario a fin de evitar que el usuario llegue a un lugar donde exista un peligro de caída. Hay dos tipos: uno compuesto de un FBH y un amarre corto conectado al anclaje. Otro tipo está compuesto de un FBH, una cuerda conectada a un ajustador equipado con una función de detención, la cual está conectada a una Cuerda de salvamento vertical (VLL) ponderada, que a su vez está conectada al anclaje. Consulte la Figura 3 en el Apéndice A.

2.1.3 Límites de la aplicación: Tome medidas para evitar las maquinarias en movimiento, bordes afilados, superficies abrasivas y peligros térmicos, eléctricos y químicos.

NO conecte más de un trabajador al anclaje a la vez.

3. REQUISITOS DEL SISTEMA

3.1 Capacidad: La capacidad del anclaje en las especificaciones se indica como 425 libras (193 kg), incluidas las herramientas, ropa, etc.

3.2 Compatibilidad de conectores: Los conectores son considerados compatibles con elementos de conexión cuando se han diseñado para funcionar en conjunto, de manera que sus formas y tamaños no causen que sus mecanismos de compuerta se abran inadvertidamente, de manera independiente a la forma en que queden orientados. Comuníquese con FallTech si tiene alguna pregunta acerca de la compatibilidad. Los conectores deben ser compatibles con el anclaje u otros componentes del sistema. No utilice el equipo que no sea compatible. Los conectores no compatibles pueden soltarse accidentalmente. Los conectores deben ser compatibles en tamaño, forma y resistencia. Los mosquetones y ganchos de cierre automático son requeridos por la OSHA.

3.3 Compatibilidad de componentes: El equipo está diseñado para su uso sólo con componentes y subsistemas aprobados. Las sustituciones o reemplazos realizados con componentes o subsistemas no aprobados pueden poner en peligro la compatibilidad de los equipos y pueden afectar a la seguridad y la fiabilidad del sistema completo.

3.4 Realizar las conexiones: Utilice sólo mosquetones y ganchos de cierre automático con este equipo. Utilice sólo los conectores que son adecuados para cada aplicación. Asegúrese de que todas las conexiones son compatibles en tamaño, forma y resistencia. No utilice el equipo que no sea compatible. Asegúrese visualmente de que todos los conectores están completamente cerrados y bloqueados. Los conectores (mosquetones y ganchos de cierre automático) están diseñados para utilizarse sólo como se especifica en el manual de instrucciones para el usuario proporcionado con cada producto. Consulte la Figura 13 en el Apéndice B.

NO utilice los ganchos con refuerzo o cualquier gancho de cierre instantáneo de cuello grande con este anclaje.

3.5 Sistema personal de detención de caídas: Los componentes adicionales del PFAS utilizados con este equipo deben cumplir con los requisitos aplicables de la OSHA. Se debe utilizar un Arnés de cuerpo completo (FBH, por sus siglas en inglés) cuando se utiliza este equipo como un componente de un PFAS. La OSHA exige el uso del sistema personal de detención de caídas para detener la caída del usuario con una fuerza máxima de detención de 1.800 libras (816,5 kg), y para limitar la caída libre a 6 pies (1,8 m) o menos. Si se debe exceder la distancia máxima de caída libre, el empleador debe documentar, con base en los datos de prueba, que no se excederá de la fuerza máxima de detención, y que el sistema personal de detención de caídas funcionará correctamente.

3.5.1 Resistencia del anclaje del PFAS: El anclaje mostrado en la Tabla 1 tiene una fuerza a la tensión mínima de 3.600 libras (1.633 kg). Para mantener el cumplimiento con la OSHA, la estructura en la cual está instalada la unidad debe poder soportar por lo menos 5.000 libras (2.268 kg), o ser diseñada, instalada y usada como parte de un PFAS, el cual mantenga un factor de seguridad de por lo menos 2:1, bajo la supervisión de una persona calificada.

3.6 Sistema de restricción: Los anclajes seleccionados para sistemas de restricción de caídas deben ser aparejados para evitar que un trabajador llegue a un peligro de caída y se caiga por el borde. Un sistema de restricción de caídas puede estar compuesto por un FBH, conectado a través de una cuerda a un anclaje configurado para evitar que el trabajador alcance el borde del techo.

3.7 Definiciones: Las siguientes son las definiciones de los términos según se definen en la norma ANSI Z359.0-2012.

Persona autorizada: Una persona asignada por el empleador para realizar sus obligaciones en un lugar donde la persona estará expuesta a un peligro de caída (de lo contrario, se denomina como "usuario" a los efectos de estas instrucciones).

Anclaje certificado: Un anclaje para detención de caídas, posicionamiento, restricción, o sistemas de rescate que una persona calificada certifica de que puede soportar las posibles fuerzas de caída, las cuales podrían presentarse durante una caída o que cumplen con los criterios para un anclaje certificado previsto en la norma.

Persona competente: Una persona que es capaz de identificar los peligros existentes y predecibles en los alrededores o condiciones de trabajo que son insalubres o peligrosas para los empleados, y quien tiene la autorización para tomar con prontitud medidas correctivas para eliminarlos.

Persona calificada: Una persona con un título o certificado profesional reconocido y con amplios conocimientos, capacitación y experiencia en la protección contra caídas y el campo de rescate, quien es capaz de diseñar, analizar, evaluar y especificar los sistemas de protección contra caídas y sistemas de rescate en la medida exigida por la norma.

Socorrista: Persona o personas distintas al sujeto que actúa en la realización de un rescate asistido por la operación de un sistema de rescate.

4. INSTALACIÓN Y OPERACIÓN

4.1 Requisitos generales de instalación: Planifique la instalación del anclaje tomando en cuenta la seguridad del usuario. El anclaje está diseñado para su instalación en el techo en las vigas de madera a un mínimo de 2" x 4". La instalación se puede realizar con el revestimiento colocado, o antes de instalar el revestimiento. La instalación de los anclajes debe estar bajo la supervisión de una Persona competente, capacitada en su diseño y uso. Instale los anclajes a por lo menos seis pies (1,8 m) de cualquier borde expuesto del techo. Si es necesario, instale anclajes adicionales, a un máximo de ocho pies (2,4 m) de distancia.

Si el anclaje no se puede instalar a por lo menos seis pies (1,8 m) de un borde, instálo tan lejos del borde como sea posible. En los techos con cumbreras, y en otras áreas muy pequeñas del techo, ubique el anclaje tan lejos del borde del techo como sea posible. Consulte la Figura 4 en el Apéndice A.

NOTA: La protección contra caídas aprobada puede ser necesaria durante la instalación de todas las unidades de anclajes descritas en este manual.

NO

- Instale el anclaje en las áreas sin apoyo del techo, tales como los aleros, gabletes y salientes.
- Utilice un anclaje instalado ladera abajo en el lado opuesto del caballete. instale un anclaje separado.
- Instale el anclaje sobre los nudos en la madera o en un puntal dañado o descompuesto.
- Utilice el anclaje hasta que el sistema se haya instalado, inspeccionado, y aprobado por completo para su uso por parte de una Persona competente.
- Trabaje por encima del anclaje. Tenga cuidado si el trabajo debe ser realizado por encima del anclaje. Una caída puede aumentar la carga colocada en el anclaje.

4.2 Distancia de caída despejada: Tome medidas para reducir el peligro de caídas. Asegúrese de que haya suficiente espacio libre en el área de caída para detener la caída antes de que entre en contacto con el suelo u otros objetos. La distancia despejada necesaria depende del tipo de subsistema de conexión utilizado (cuerda de salvamento de absorción de energía, dispositivo autorretráctil, etc.). Consulte las instrucciones del fabricante del subsistema de conexión para obtener información sobre la distancia despejada para caídas.

4.3 Caída con balanceo: La caída con balanceo se produce cuando el punto de anclaje no está directamente por encima del punto donde ocurre la caída. La distancia total de caída se puede aumentar considerablemente durante una caída con balanceo. La fuerza de golpear un objeto en una caída con balanceo puede causar lesiones graves. Minimice las caídas con balanceo al instalar los anclajes a por lo menos seis pies (1,8 m) de los bordes expuestos del techo y al trabajar lo más directamente posible por debajo del punto de anclaje. El usuario debe estar ubicado a 30 grados del anclaje del techo. Consulte la Figura 5 y la Figura 6 en el Apéndice A.

4.4 Instalar el anclaje para techo con puntal permanente: Este anclaje está diseñado para su instalación en un puntal en la estructura de un marco de madera, para las aplicaciones personales de detención o restricción de caídas. La unidad está diseñada como un anclaje permanente, para ser utilizada durante el proceso de construcción y para dejarla en su lugar para su uso futuro. El anclaje se puede instalar con o sin el revestimiento colocado.

4.4.1 Instalar el anclaje con el revestimiento en su lugar: Marque la ubicación del anclaje en la parte superior del revestimiento, directamente sobre un puntal, como se muestra en la Figura 8A. Corte una ranura en el revestimiento, de 4-1/4" por 2", centrada en el puntal, con la longitud del puntal, y el ancho del puntal. Tenga cuidado de no cortar el puntal. Coloque el anclaje en el puntal, con las pestañas de clavar a cada lado. Asegúrese de que el anclaje está colocado firmemente. El instalador deberá llegar a la parte por debajo del revestimiento, en el ático o espacio reducido, para clavar los ocho clavos de 1-1/2" de acero inoxidable proporcionados en los agujeros para los clavos. Asegúrese de que cada clavo está completamente introducido. Ver la Figura 7.

4.4.2 Instalar el anclaje sin el revestimiento: El anclaje se puede instalar sin el revestimiento, ya sea en el suelo sobre un puntal preformado, o en un puntal ya colocado en la estructura.

4.4.2.1 Instalar el anclaje con el puntal en el piso: Tenga en cuenta dónde se colocará el anclaje en el techo en el puntal apropiado. Asegúrese de que el anclaje está correctamente instalado en el puntal como se muestra en la Figura 7. Coloque los ocho clavos de acero inoxidable de 1-1/2". Asegúrese de que cada clavo está completamente introducido. Si el anclaje instalado se utilizará para protección contra caídas o restricción de caídas antes que el revestimiento está instalado, será necesario colocar refuerzos al puntal. Consulte el párrafo 4.4.2.2.

4.4.2.2 Instalar el anclaje con el puntal en la estructura: Antes de poder instalar un anclaje en un puntal sin revestimiento, coloque soportes al puntal para evitar la rotación y proporcionar estabilidad lateral de acuerdo con los requisitos especificados en los planos de construcción del edificio y los planos para los diseños individuales de los puntales. En la ausencia de los requisitos específicos de refuerzo, coloque soportes al puntal de conformidad con las prácticas aceptadas por la industria.³ Además, debe consultar a una persona calificada.

Cuando el revestimiento está instalado, será necesario colocar una muesca donde está el anclaje. Marque la ubicación del anclaje en las dos piezas adyacentes del revestimiento como se muestra en la Figura 8B. Desde cada una, corte una muesca de 1-1/4" x 2-3/8", con el lado largo centrado en el anclaje. Las dos muescas se unen alrededor del anclaje para facilitar una fácil extracción del anclaje.

4.5 Brida y tapa opcionales: Se proporcionan una brida y una tapa en el equipo de anclaje permanente para sellar el anclaje permanente y protegerlo de los peligros ambientales. Si el usuario no compró la brida y la tapa, debe tomar las precauciones necesarias para garantizar que la instalación del anclaje permanente sea a prueba del clima y el anclaje esté protegido contra los peligros ambientales.

4.5.1 Instalar la brida y la tapa: Siga estos pasos;

¹ Consulte la revisión actual de la Información de Seguridad de Componentes de Edificios de la Asociación de Componentes de Edificios Estructurales, la Guía para las Buenas Prácticas de Manipulación, Instalación y Soportes de Placas de Metal conectadas a Puntales de Madera.

² Consulte la revisión actual del Código Residencial Internacional, sección R903.2

- Se puede proporcionar una brida y una tapa para el sellado a prueba del clima y para proteger al anclaje contra los peligros ambientales y las inclemencias del clima. Los clavos se proporcionan para fijar la brida. El instalador es responsable de la impermeabilidad al agua. Asegúrese de que la brida se instala de acuerdo con las mejores prácticas⁴.
- Deslice la tapa hacia abajo sobre el anclaje. Alinee las pestañas de amarre. Fije la tapa con el amarre como se muestra en la Figura 9 del Apéndice A. Deje la holgura suficiente para quitar y volver a colocar la tapa. Recorte el material del techo para acomodar el anclaje durante la instalación del material del techo.

4.5.2 Limitaciones de los materiales del techo: Instale los materiales del techo. Asegúrese de que el techo no supere un grosor máximo de 3-1/2" (8,9 cm). Asegúrese de que un mínimo de 3-1/2" (8,9 cm) del anclaje esté visible por encima del material del techo.

4.6 Conectar al anclaje del techo: Fije el PFAS o sistema de restricción compatible al anclaje. Lea y siga las instrucciones del fabricante para el equipo de restricción o protección contra caídas de su elección. Se debe usar un dispositivo de amortiguación, una SAL o SRD, o un FACSS, como parte de un PFAS.

NO conecte un gancho con refuerzo o cualquier gancho de cierre instantáneo de cuello grande al anclaje. Podría ocurrir una separación involuntaria. Utilice sólo mosquetones o ganchos de cierre instantáneo compatibles para conectar al anclaje.

4.7 Después de una caída: Cualquier equipo sometido a fuerzas de detención de caídas o que muestren algún daño consecutivo con el efecto de un evento de caída debe ser etiquetado como "INUTILIZABLE".

4.8 Al concluir el trabajo: El anclaje está diseñado como un anclaje permanente reutilizable. No hay necesidad de desinstalarlo. Inspeccione antes de cada uso. Consultar la Sección 7.

NOTA: El anclaje está diseñado como una instalación permanente. Si se remueve, el anclaje no se puede volver a instalar y utilizar.

NO vuelva a instalar y utilizar el anclaje.

5. ESPECIFICACIONES

Consulte la Tabla 1 en el Apéndice A.

6. MANTENIMIENTO Y ALMACENAMIENTO

No se necesita un mantenimiento regular para este equipo.

7. INSPECCIÓN DE LOS ANCLAJES PARA TECHO PERMANENTES

Antes de cada uso, el usuario deberá inspeccionar el anclaje para detectar cualquier daño físico. Quite la tapa e inspeccione lo siguiente:

1. grietas o fracturas
2. corrosión
3. dobladuras o partes deformadas

Si la inspección de rutina revela daños en el anclaje, se debe etiquetar como "INUTILIZABLE".

8. ETIQUETAS

Las siguientes etiquetas deben estar presentes y legibles.



Permanent Roof Truss Anchor

Model #: 7249SS

Material: Stainless Steel

Min Break Strength: 3600 lbs.

Max Capacity: 425 lbs. including clothing, tools, etc.

OSHA 1926.502



WARNING

WARNING: USER MUST READ AND FOLLOW INSTRUCTIONS SUPPLIED WITH THIS PRODUCT AT TIME OF

SHIPMENT. FAILURE TO DO SO MAY RESULT IN SERIOUS INJURY OR DEATH. AVOID CONTACT WITH SHARP EDGES AND ABRASIVE SURFACES. MAKE ONLY COMPATIBLE

CONNECTIONS. SEE INSTRUCTIONS FOR RESTRICTIONS ON USE WITH COMPONENTS, SUBSYSTEMS, OR SYSTEMS WITH WHICH THIS PRODUCT IS DESIGNED TO BE USED.

SEE INSTRUCTIONS FOR INSPECTION PROCEDURES. TAKE ACTION TO AVOID THERMAL, ELECTRICAL, AND CHEMICAL HAZARDS.



Date of Mfg:

Serial #:

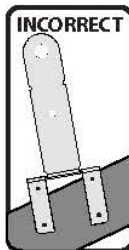
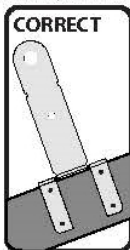
LBLTR1 02/2014

DO NOT REMOVE LABEL



INSTALLATION:

Attach anchor, connection side up, over a wooden truss, a minimum of 6ft. from any edge. Drive in the eight provided 1-1/2" stainless steel nails through the nail holes and into the truss. See the user instruction manual for complete installation requirements.



PROPER USE:

This anchor is designed to be used as part of a personal fall arrest system that limits maximum arrest forces to 1800 lbs. Work as directly below the anchor as possible. Do not exceed the 30 degree working range. Attach to anchor via carabiner or snap hook only, do not use a rebar hook. A SRD may be attached to the anchor provided the work location is below the anchor point. See the Instruction Manual for details.

INSPECTION:

Inspect before each use. Check for cracks and corrosion. Do not use if inspection reveals unsafe or defective condition. This product is not user repairable. Refer to instruction manual for complete inspection procedures.

MARK ON DATE (G R I D A) INITIAL S SERVICE DATE
(I) DATE OF PRECED INSPECTION - IF UNIT FAILS INSPECTION REMOVE IT FROM SERVICE

	J	F	M	A	M	J	J	A	S	O	N	D
2014												
2015												
2016												
2017												

LBLTR2 02/2014

DO NOT REMOVE LABEL

APPENDIX A

Table 1: Specifications for Permanent Roof Truss Anchor

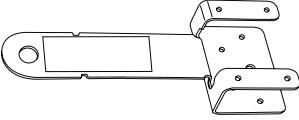
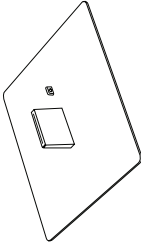

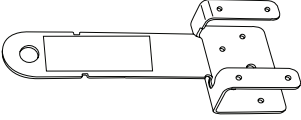
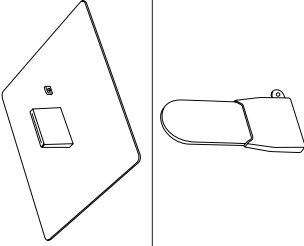
Type and Part Numbers	Dimensions	Minimum Tensile Strength and Material	Maximum User Capacity	Items
<p>Permanent Truss Anchor: 7429SS with 8pcs Stainless Steel Nails</p> <p>Permanent Truss Anchor Kit: 7429SSK with 12pcs Stainless Steel Nails</p>	<p>Connector Hole: 1 1/16"</p> <p>Nail Holes: 3/16"</p> <p>Anchor Height: 10-3/4"</p>	<p>Anchor: 3,600 lbs Stainless Steel</p> <p>Nails: 1 1/2" Stainless Steel</p>	<p>425 lbs to comply with OSHA 1926.502</p>	
<p>Components of Permanent Truss Anchor Kit: 7429SSK only</p>	<p>Flange: 10" x 10" uses 4 nails</p> <p>Protective Cap: 6-3/4" with 15" zip-tie</p>	<p>EPDM</p> <p>Polypropylene</p>		 

Tabla 1: Especificaciones para el anclaje para techo con puntal permanente

Tipo y números de partes	Dimensiones	Resistencia a la tensión mínima y material	Capacidad de usuario máxima	Elementos
<p><u>Anclaje de puntal permanente:</u> 7429SS con 8 piezas de clavos de acero inoxidable</p> <p><u>Equipo de anclaje de puntal permanente:</u> 7429SSK con 12 piezas de clavos de acero inoxidable</p>	<p>Agujero del conector: 11/16"</p> <p>Agujeros para los clavos: 3/16"</p> <p>Altura del anclaje: 10-3/4"</p>	<p>Anclaje: 3.600 libras (1.633 kg) Acero inoxidable</p> <p>Clavos: 1 1/2" Acero inoxidable</p>	<p>425 libras (192,8 kg) para cumplir con OSHA 1926.502</p>	
<p><u>Componentes del Equipo de anclaje de puntal permanente:</u> 7429SSK únicamente</p>	<p>Brida: 10" x 10" utiliza 4 clavos</p> <p>Tapa de protección: 6-3/4" con unión de 15"</p>	<p>EPDM</p> <p>Polipropileno</p>		

TSP1A11.2

Fig. 1: About Truss Anchor	
A	Connector Hole
B	Anchorage Body
C	Nail Holes (4 per side)
D	Side Mounting Legs
E	Protective Anchorage Cap
F	Flashing Flange
G	Zip-Tie Holes

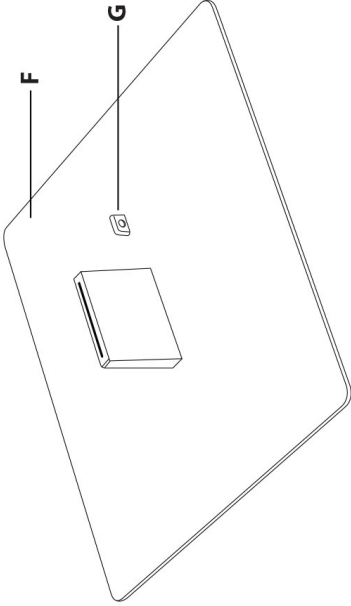
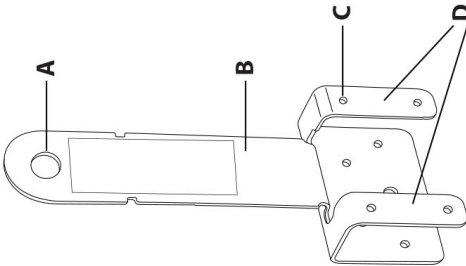
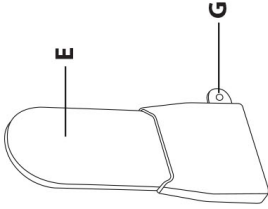


Fig. 1: Acerca del anclaje de puntal	
A	Agujero del conector
B	Cuerpo del anclaje
C	Agujeros para clavos (4 por lado)
D	Patas de montaje lateral
E	Tapa del anclaje de protección
F	Brida de borde
G	Agujeros de unión

FSPAT1.1

TSPAT1.1

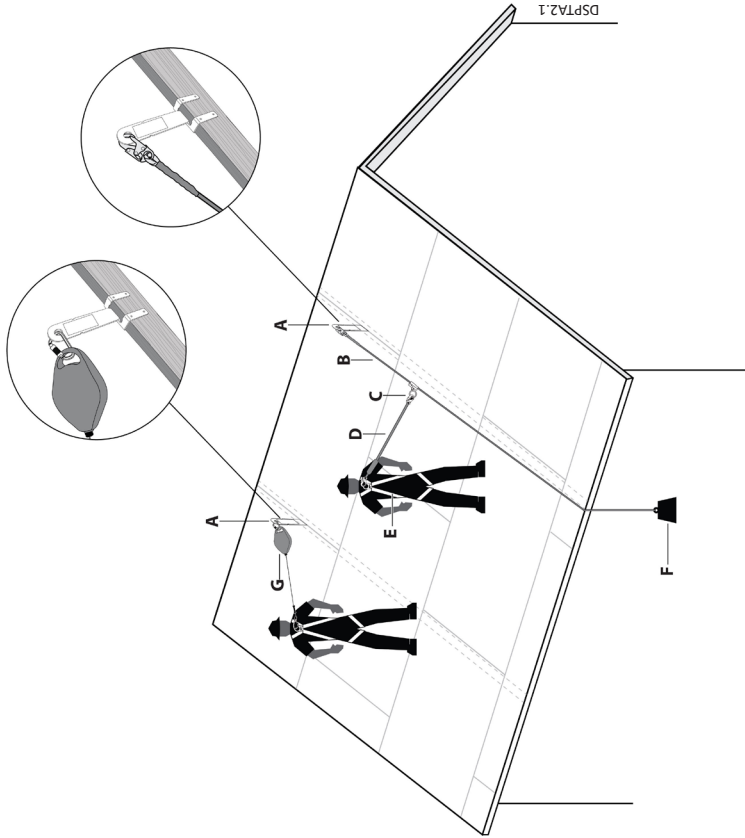


Fig. 2: Truss Anchor Used for Fall Arrest

A	Truss Anchor
B	Vertical Lifeline (VLL)
C	Fall Arrestor/Rope Grab
D	Shock Absorbing Lanyard (SAL)
E	Full Body Harness (FBH)
F	Minimum 5 lb. Counterweight
G	Self-Retracting Device (SRD)

Fig. 2: Anclaje de puntal utilizado para detención de caídas

A	Anclaje de puntal
B	Cuerda de salvamento vertical (VLL)
C	Detenedor de caídas/Agarre de cuerda
D	Cuerda de salvamento con amortiguación (SAL)
E	Arnés de cuerpo completo (FBH)
F	Contrapeso mínimo de 5 libras (2,3 kg)
G	Dispositivo autorretractil (SRD)

TSPTA2.2

Fig. 3: Truss Anchor Used for Restraint	
A	Truss Anchor
B	Vertical Lifeline (VLL)
C	Rope Adjuster/Rope Grab
D	Restraint Lanyard
E	Full Body Harness (FBH)
F	Minimum 5 lb. Counterweight

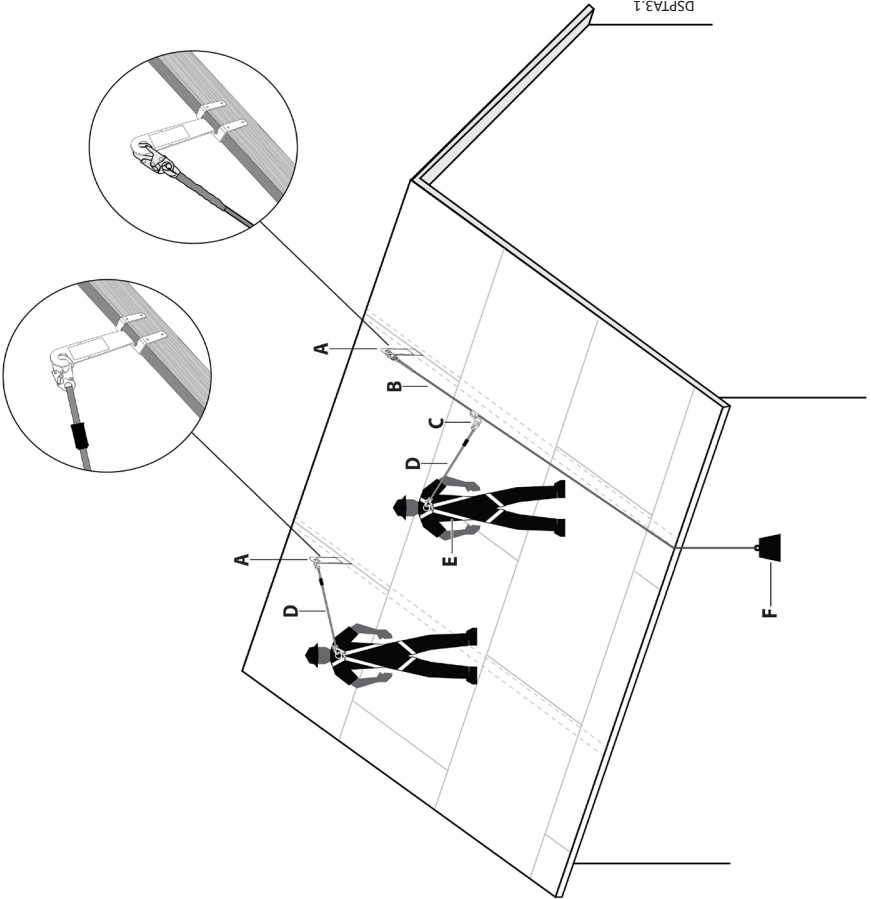
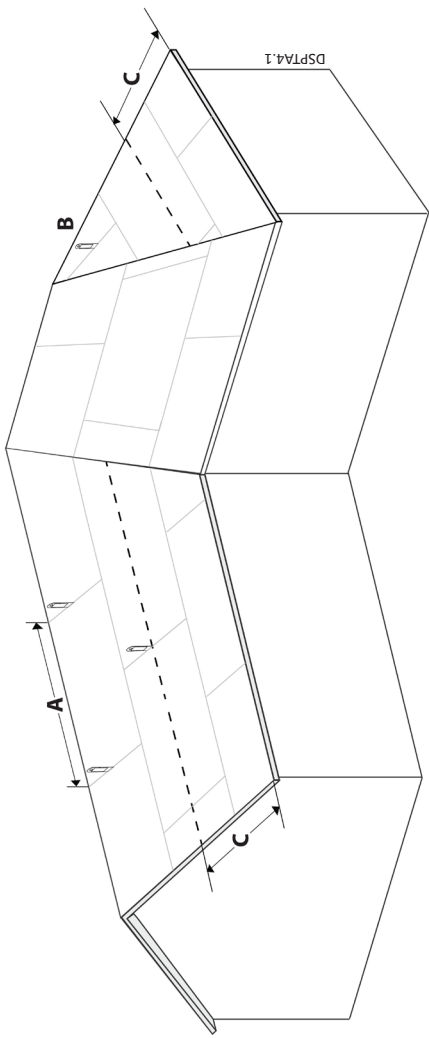


Fig. 3: Anclaje de puntal utilizado para restricción	
A	Anclaje de puntal
B	Cuerda de salvamento vertical (VLL)
C	Ajustador de cuerda/Agarre de cuerda
D	Cuerda de restricción
E	Arnés de cuerpo completo (FBH)
F	Contrapeso mínimo de 5 libras (2,3 kg)

TSPTA3.1

DSPTA3.1

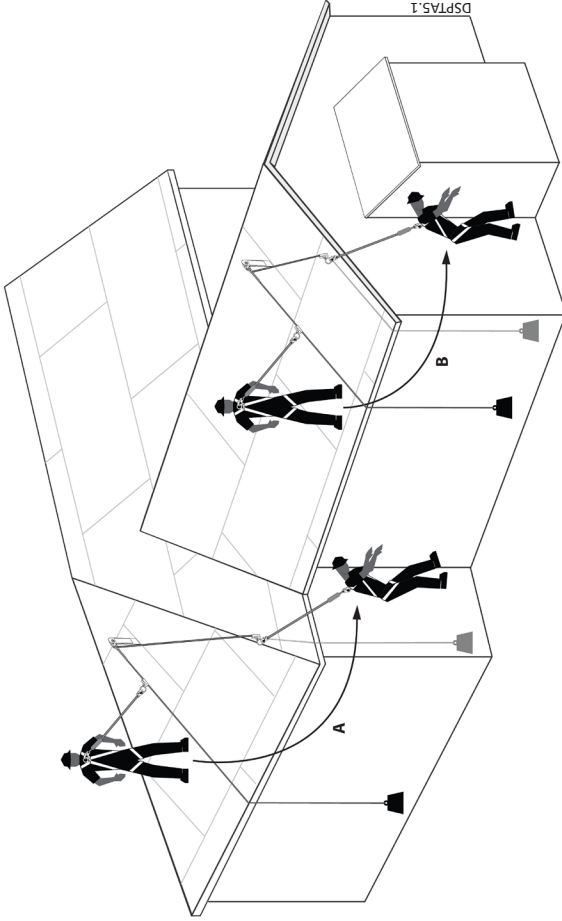


8

Fig. 4: Typical Roof Site Plan for Truss Anchors	
A	Near Ridge No more than 8' of spacing between Truss Anchors installed closest to Roof Ridges
B	Hip Face At least one (1) Truss Anchor on each Hip Face
C	Roof Edge No less than 6' from any exposed Roof Edge

Fig. 4: Plan típico del sitio del techo para los anclajes de puntales	
A	Cerca del caballete No más de 8 pies (2,4 m) de espacio entre los anclajes de puntales instalados más cerca a los caballetes del techo
B	Cumbrera Por lo menos un (1) Anclaje de puntal en cada cumbrera
C	Borde del techo No menos de 6 pies (1,8 m) de cualquier borde expuesto del techo

TSPTA4.1



⚠		Fig. 5: WARNING: Avoid Swing Falls from Roofs		⚠	
A	From a Hip Roof into an adjoining wall	A	Desde un techo con cumbrera a una pared adyacente	A	Desde un techo a dos aguas a una pared adyacente
B	From a Gable Roof into a lower level obstruction	B	Desde un techo a dos aguas a una obstrucción en un nivel inferior	B	

TSPTAS.1

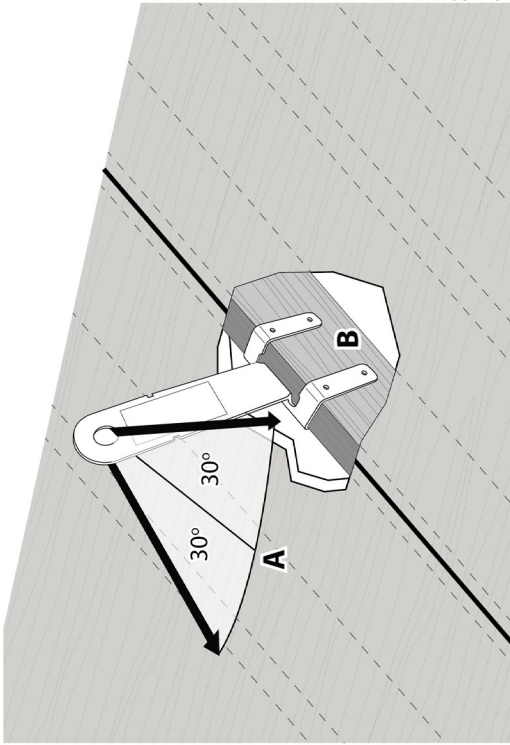


Fig. 6: Load Direction and Working Range of Truss Anchor

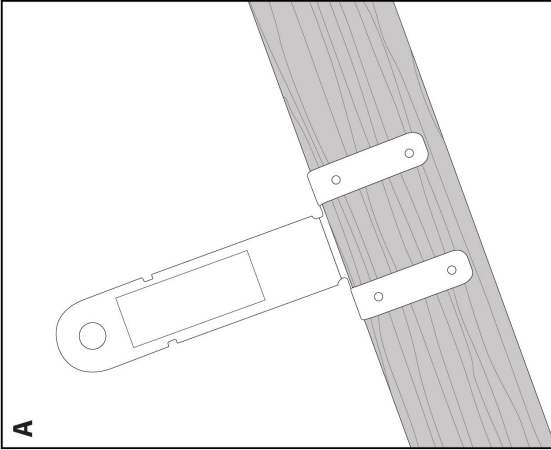
A	Load Direction In-line with Roof Truss
B	Roof Truss Member

Fig. 6: Dirección de la carga y rango de trabajo del anclaje de puntal

A	Dirección de la carga alineada con el puntal del techo
B	Miembro del puntal del techo

TSPTA6.1

**CORRECT
CORRECTA**



**INCORRECT
INCORRECTA**

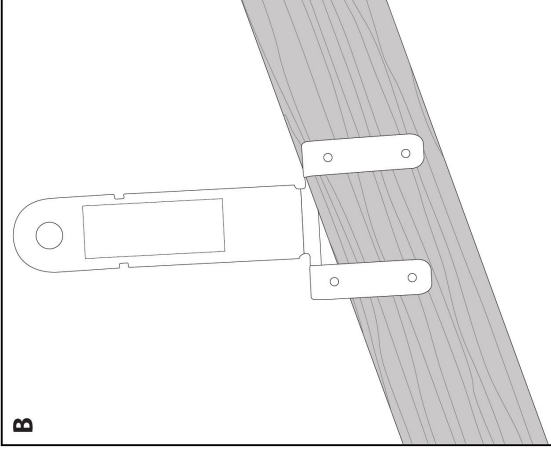


Fig. 7: Secure Flush Mounting to Truss

A	Correct Installation: Truss Anchor is Flush to Wood Truss Member
B	Incorrect Installation: Gap Between Truss Anchor and Wood Truss Member

Fig. 7: Fije en montaje al ras del puntal

A	Instalación correcta: El anclaje del puntal está alineado al miembro del puntal de madera
B	Instalación incorrecta: Separación entre el anclaje del puntal y el miembro del puntal de madera

TSFPA7.2

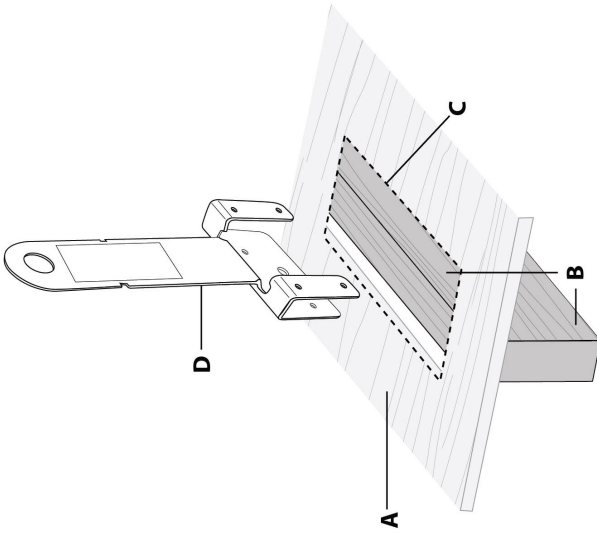
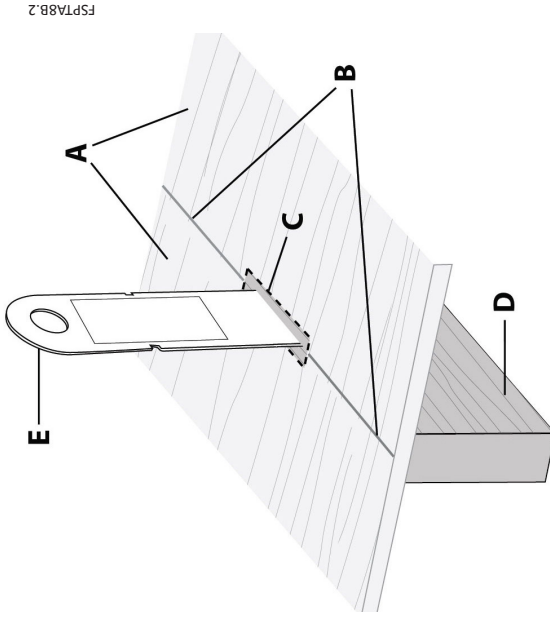


Fig. 8A: Installation - Existing Sheathing	
A	Existing In-place Roof Sheathing
B	Roof Truss Member
C	2.5" x 4" Installation Cut-Out
D	Permanent Truss Anchor

Fig. 8A: Instalación - Revestimiento existente	
A	Revestimiento del techo existente
B	Miembro del puntal del techo
C	Corte de instalación de 2½" x 4"
D	Anciaje de puntal permanente

TSP7A8A.2

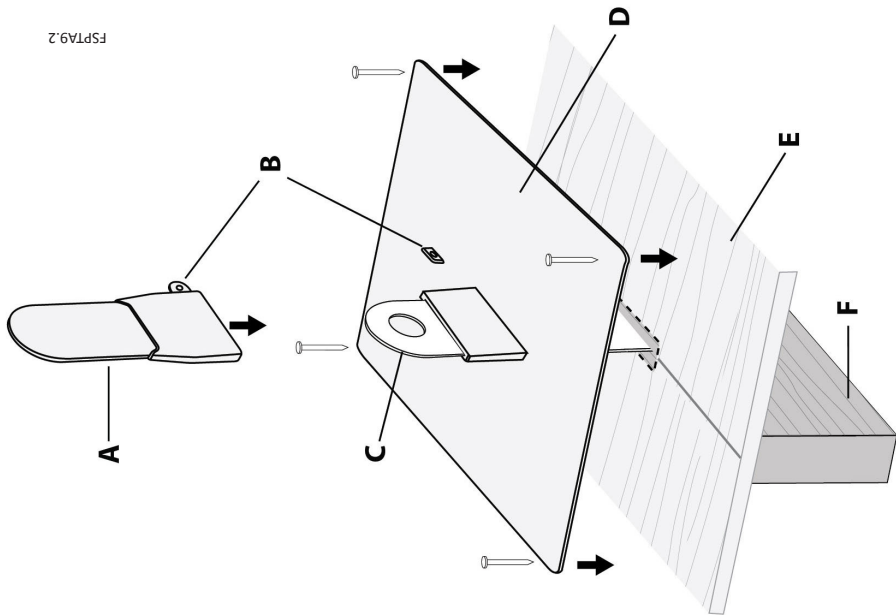


FSP7A8B.2

Fig. 8B: Installation - New Sheathing	
A	Adjoining Sheets of New Roof Sheathing
B	Seam Between Sheets of Sheathing Centered Over Truss Member
C	3/4" x 2" Slot Cut-out for Install
D	Roof Truss Member
E	Permanent Truss Anchor

Fig. 8B: Instalación - Revestimiento nuevo	
A	Pliegues contiguos del revestimiento nuevo del techo
B	Unión entre los pliegues de revestimiento centrados sobre el puntal
C	Corte de ranura de 3/4" x 2" para instalar
D	Miembro del puntal del techo
E	Anclaje de puntal permanente

TSPTA8B.2



FSPTA9.2

Fig. 9: Install with Flange and Cap

A	Protective Anchorage Cap
B	Zip-Tie Holes
C	Body of Truss Anchor
D	Flashing Flange with 4 Nails
E	Roof Sheathing
F	Roof Truss Member

Fig. 9: Instalar con la brida y la tapa

A	Tapa del anclaje de protección
B	Agujeros de unión
C	Cuerpo del anclaje de puntal
D	Brida de borde con 4 clavos
E	Revestimiento del techo
F	Miembro del puntal del techo

TSPTA9.2

APPENDIX B

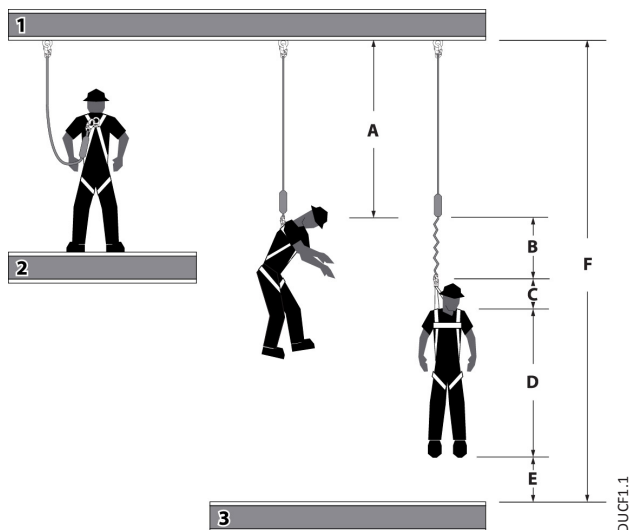


Fig. 1 - Minimum Clear Fall Requirement: 6 ft Shock Absorbing Lanyard

Measured from Overhead Anchorage Connector

A	6 ft	Length of Shock Absorbing Lanyard Original working length before a fall event occurs/before activation of energy absorber
B	4 ft	Elongation/Deceleration Distance Maximum allowable amount of elongation that may payout from the energy absorber upon activation during a fall event
C	1 ft	Harness Stretch and Dorsal D-Ring Shift Combined amount of harness webbing elongation and dorsal back D-ring up-shift during entire fall event
D	5 ft	Height of Dorsal D-ring Typical average height of the dorsal D-Ring on a user's full body harness measured from the walking/working surface up
E	1½ ft	Safety Factor Added length to account for other factors such as an improperly adjusted harness, actual worker height or worker weight
F	17½ ft	Total Minimum Clear Fall Distance Required

1. Overhead Anchorage 2. Walking/Working Surface 3. Nearest Lower Level or Obstruction

Fig. 1 - Requisito mínimo de caída despejada: Cuerda con amortiguación de 6 pies
Medida desde el conector de anclaje superior

A	6 pies (1,8 m)	Longitud de la cuerda con amortiguación Longitud de trabajo original antes de ocurrir un evento de caída/antes de la activación del amortiguador de energía
B	4 pies (1,2 m)	Distancia de elongación/desaceleración Cantidad máxima permitida de elongación que se puede emplear del amortiguador de energía al activarse durante un evento de caída
C	1 pie (0,3 m)	Cambio del anillo en "D" dorsal y tramo del arnés Cantidad combinada de la elongación de la red del arnés y el cambio del anillo en "D" dorsal durante un evento de caída completa
D	5 pies (1,5 m)	Altura del anillo en "D" dorsal Altura típica promedio del anillo en "D" dorsal en el arnés de cuerpo completo de un usuario, medida desde la superficie para caminar/trabajar hacia arriba
E	1½ pies (0,5 m)	Factor de seguridad Longitud agregada para contar otros factores tales como un ajuste inapropiado del arnés, la altura real del trabajador o el peso del trabajador
F	17½ pies (5,3 m)	Distancia mínima total de caída despejada requerida

1. Overhead Anchorage 2. Walking/Working Surface 3. Nearest Lower Level or Obstruction

TUCF1.2

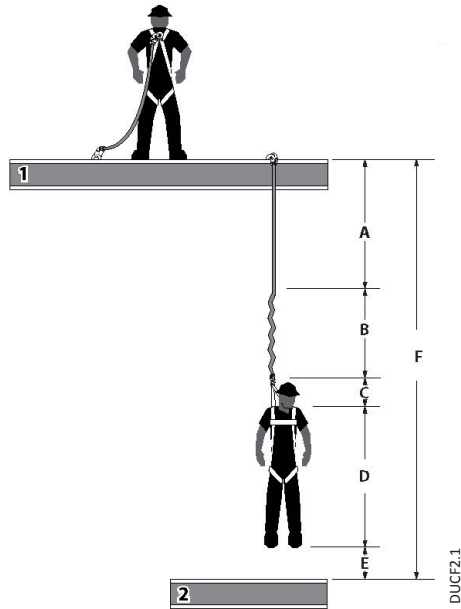


Fig. 2 - Minimum Clear Fall Requirement: 12 feet Free Fall Lanyard

Measured from Foot Level Anchorage Connector

A	6 ft	Length of Shock Absorbing Lanyard Original working length before a fall event occurs/before activation of energy absorber
B	5 ft	Elongation/Deceleration Distance Maximum allowable amount of elongation that may payout from the energy absorber upon activation during a fall event
C	1 ft	Harness Stretch and Dorsal D-Ring Shift Combined amount of harness webbing elongation and dorsal back D-ring up-shift during entire fall event
D	5 ft	Height of Dorsal D-ring Typical average height of the dorsal D-Ring on a user's full body harness measured from the walking/working surface up
E	1½ ft	Safety Factor Added length to account for other factors such as an improperly adjusted harness, actual worker height or worker weight
F	18½ ft	Total Minimum Clear Fall Distance Required

1. Walking/Working Surface 2. Nearest Lower Level or Obstruction

Fig. 2 - Requisito mínimo de caída despejada: Cuerda para caída libre de 12 pies

Medida desde el conector de anclaje superior

A	6 pies (1,8 m)	Longitud de la cuerda con amortiguación Longitud de trabajo original antes de ocurrir un evento de caída/antes de la activación del amortiguador de energía
B	5 pies (1,5 m)	Distancia de elongación/desaceleración Cantidad máxima permitida de elongación que se puede emplear del amortiguador de energía al activarse durante un evento de caída
C	1 pie (0,3 m)	Cambio del anillo en "D" dorsal y tramo del arnés Cantidad combinada de la elongación de la red del arnés y el cambio del anillo en "D" dorsal durante un evento de caída completa
D	5 pies (1,5 m)	Altura del anillo en "D" dorsal Altura típica promedio del anillo en "D" dorsal en el arnés de cuerpo completo de un usuario, medida desde la superficie para caminar/trabajar hacia arriba
E	1½ pies (0,5 m)	Factor de seguridad Longitud agregada para contar otros factores tales como un ajuste inapropiado del arnés, la altura real del trabajador o el peso del trabajador
F	18½ pies (5,6 m)	Distancia mínima total de caída despejada requerida

1. Superficie para caminar/trabajar 2. Nivel inferior más cercano u obstrucción

TUCF2.2

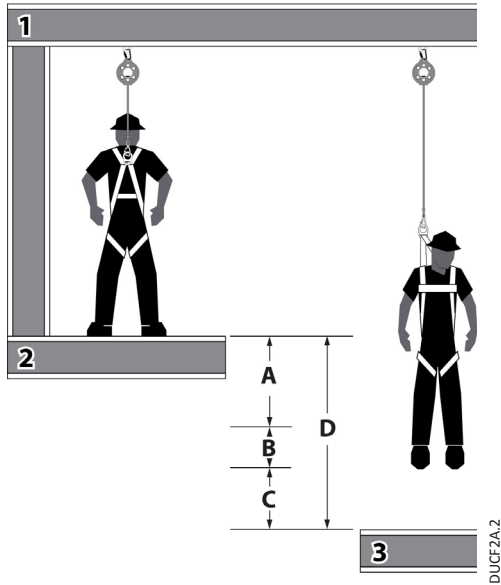


Fig. 3 - Minimum Clear Fall Requirement: ANSI Class A Self-Retracting Device

A	2 ft	Activation/Deceleration Distance Maximum allowable length of cable or web that may payout from the SRD once deceleration of the user has begun and after a fall event occurs
B	1 ft	Harness Stretch and Dorsal D-Ring Shift Combined amount of harness webbing elongation and dorsal D-ring up-shift during entire fall event
C	1½ ft	Safety Factor Added length to account for other factors such as an improperly adjusted harness, actual worker height or worker weight
D	4½ ft	Total Minimum Clear Fall Distance Required

1. Overhead Anchorage 2. Walking/Working Surface 3. Nearest Lower Level or Obstruction

Fig. 3 - Requisito mínimo de caída despejada: Dispositivo auto-retráctil Tipo A de ANSI

A	2 pies (0,6 m)	Distancia de activación/desaceleración Distancia máxima permitida del cable o red que puede emplearse desde el SRD una vez que la desaceleración del usuario ha comenzado y después de que ocurra un evento de caída
B	1 pie (0,3 m)	Cambio del anillo en "D" dorsal y tramo del arnés Cantidad combinada de la elongación de la red del arnés y el cambio del anillo en "D" dorsal durante un evento de caída completa
C	1½ pies (0,5 m)	Factor de seguridad Longitud agregada para contar otros factores tales como un ajuste inapropiado del arnés, la altura real del trabajador o el peso del trabajador
D	4½ pies (1,4 m)	Distancia mínima total de caída despejada requerida

1. Anclaje superior 2. Superficie para caminar/trabajar 3. Nivel inferior más cercano u obstrucción

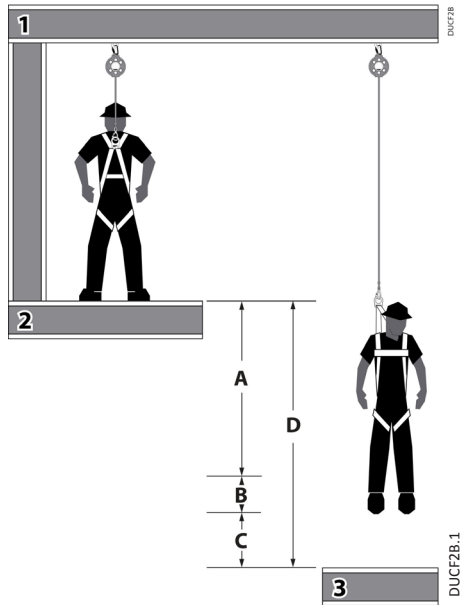


Fig. 4 - Minimum Clear Fall Requirement: ANSI Class B Self-Retracting Device

A	4½ ft	Activation/Deceleration Distance Maximum allowable length of cable or web that may payout from the SRD once deceleration of the user has begun and after a fall event occurs
B	1 ft	Harness Stretch and Dorsal D-Ring Shift Combined amount of harness webbing elongation and dorsal D-ring up-shift during entire fall event
C	1½ ft	Safety Factor Added length to account for other factors such as an improperly adjusted harness, actual worker height or worker weight
D	7 ft	Total Minimum Clear Fall Distance Required

1. Overhead Anchorage 2. Walking/Working Surface 3. Nearest Lower Level or Obstruction

Fig. 4 - Requisito mínimo de caída despejada: Dispositivo auto-retráctil Tipo B de ANSI

A	4½ pies (1,4 m)	Distancia de activación/desaceleración Distancia máxima permitida del cable o red que puede emplearse desde el SRD una vez que la desaceleración del usuario ha comenzado y después de que ocurra un evento de caída
B	1 pie (0,3 m)	Cambio del anillo en "D" dorsal y tramo del arnés Cantidad combinada de la elongación de la red del arnés y el cambio del anillo en "D" dorsal durante un evento de caída completa
C	1½ pies (0,5 m)	Factor de seguridad Longitud agregada para contar otros factores tales como un ajuste inapropiado del arnés, la altura real del trabajador o el peso del trabajador
D	7 pies (2,1 m)	Distancia mínima total de caída despejada requerida

1. Anclaje superior 2. Superficie para caminar/trabajar 3. Nivel inferior más cercano u obstrucción

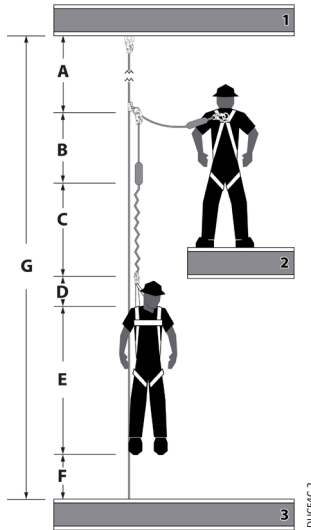


Fig. 5 - Managing Stretch
Minimum Clear Fall Requirement: Vertical Lifeline System

*A	Stretch	Stretch of Vertical Lifeline Stretch = length of VLL from Anchorage Connector to Rope Grab position on VLL multiplied by 10%
B	3 ft	Length of Shock Absorbing Lanyard Original working length before a fall event occurs/before activation of energy absorber
C	4 ft	Elongation/Deceleration Distance Maximum allowable amount of elongation that may payout from the energy absorber upon activation during a fall event
D	1 ft	Harness Stretch and dorsal D-ring Shift Combined amount of harness webbing elongation and dorsal D-ring up-shift during entire fall event
E	5 ft	Height of Dorsal D-ring Average height of the dorsal D-Ring on a user's full body harness measured from the walking/working surface up
F	1½ ft	Safety Factor Added length to account for other factors such as an improperly adjusted harness, actual worker height or worker weight
*G	Add A through F	Total Minimum Clear Fall Distance Required *(must calculate for distance A)

1. Overhead Anchorage 2. Walking/Working Surface 3. Nearest Lower Level or Obstruction

Fig. 5 - Gestión de estiramiento
Requisito mínimo de caída despejada: Sistema de cuerda de salvamento vertical

*A	Estiramiento	Estiramiento de la cuerda de salvamento vertical Estiramiento = longitud de la VLL desde el conector de anclaje hasta la posición de agarre de la cuerda en VLL multiplicado por 10%
B	3 pies (0,9 m)	Longitud de la cuerda con amortiguación Longitud de trabajo original antes de ocurrir un evento de caída/antes de la activación del amortiguador de energía
C	4 pies (1,2 m)	Distancia de elongación/desaceleración Cantidad máxima permitida de elongación que se puede emplear del amortiguador de energía al activarse durante un evento de caída
D	1 pie (0,3 m)	Cambio del anillo en "D" dorsal y tramo del arnés Cantidad combinada de la elongación de la red del arnés y el cambio del anillo en "D" dorsal durante un evento de caída completa
E	5 pies (1,5 m)	Altura del anillo en "D" dorsal Altura típica promedio del anillo en "D" dorsal en el arnés de cuerpo completo de un usuario, medida desde la superficie para caminar/trabajar hacia arriba
F	1½ pies (0,5 m)	Factor de seguridad Longitud agregada para contar otros factores tales como un ajuste inapropiado del arnés, la altura real del trabajador o el peso del trabajador
*G	Sumar A hasta F	Distancia mínima total de caída despejada requerida *(debe calcular para la distancia A)

1. Anclaje superior 2. Superficie para caminar/trabajar 3. Nivel inferior más cercano u obstrucción

TUCF4C.1

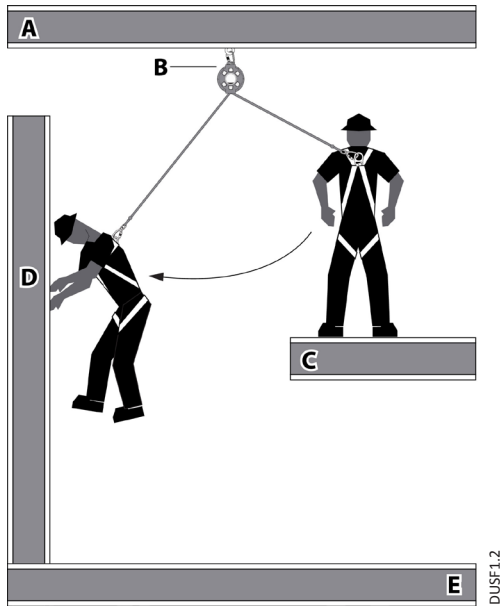


Fig. 6 - Swing Fall Hazard

Fig. 6 - Swing Fall Hazard	
A	Anchorage
B	Self-Retracting Device (SRD)
C	Walking/Working Surface
D	Swing Fall Impact after fall event
E	Next Lower Level or Obstruction

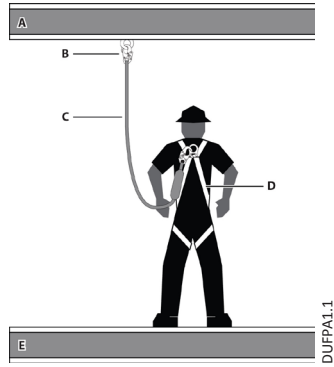
Fig. 6 - Peligro de caída con balanceo

Fig. 6 - Peligro de caída con balanceo	
A	Anclaje
B	Dispositivo autorretráctil (SRD)
C	Superficie para caminar/trabajar
D	Impacto de caída con balanceo después del evento de caída
E	Siguiente nivel inferior u obstrucción

TUSF.1.1

Fig. 7 - Fall Arrest (PFAS)	
A	Anchorage
B	Anchorage Connector
C	Shock Absorbing Lanyard (SAL)
D	Full Body Harness (FBH)
E	Walking/Working Surface

Fig. 7 - Detención de caídas (PFAS)	
A	Anclaje
B	Conector de anclaje
C	Cuerda de salvamento con amortiguación (SAL)
D	Arnés de cuerpo completo (FHB)
E	Superficie para caminar/trabajar

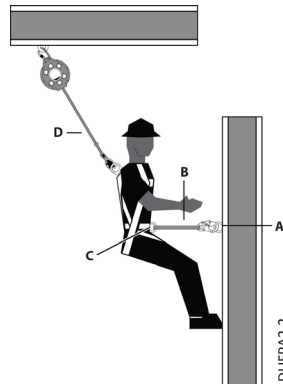


TUFFPA1.1

DUFFPA1.1

Fig. 8 - Work Positioning	
A	Positioning Anchor
B	Positioning Lanyard
C	Full Body Harness (FBH) with Side D-Rings
D	Back-up Fall Arrest (PFAS)

Fig. 8 - Posicionamiento del trabajo	
A	Anclaje de posicionamiento
B	Cordón de posicionamiento
C	Arnés de cuerpo completo (FBH) con anillos en "D" laterales
D	Detención de caídas de respaldo (PFAS)



TUFFPA2.1

DUFFPA2.2

Fig. 9 - Restraint	
A	Restraint Anchor
B	Restraint Lanyard
C	Full Body Harness (FBH)
D	Walking/Working Surface
E	Fall Hazard Area

Fig. 9 - Restricción	
A	Anclaje de restricción
B	Cordón de restricción
C	Arnés de cuerpo completo (FHB)
D	Superficie para caminar/trabajar
E	Área de peligro de caídas

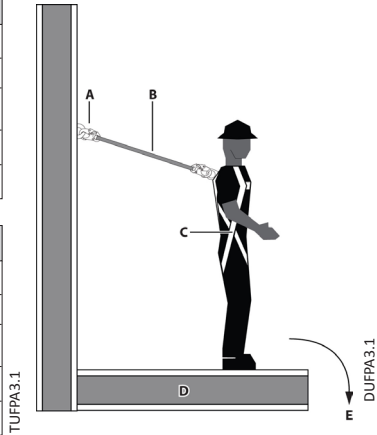


Fig. 10 - Climbing	
A	Fixed Ladder
B	Ladder Safety System
C	Safety Sleeve/Grab/Trolley
D	Full Body Harness (FBH) with Front D-Ring

Fig. 10 - Escalar	
A	Escalera fija
B	Sistema seguridad de escalera
C	Funda de seguridad/agarre/carrito
D	Arnés de cuerpo completo (FBH) con anillo en "D" delantero

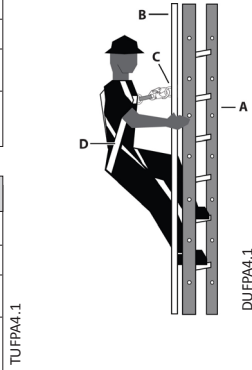
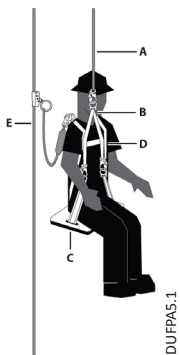


Fig. 11 - Suspension/Personnel Riding	
A	Suspension Line
B	Suspension Yoke
C	Boatswain's Chair/Work Seat
D	Full Body Harness (FBH)
E	Back-up Fall Arrest (PFAS)

Fig. 11 - Montaje de personal/suspensión	
A	Línea de suspensión
B	Balancín de suspensión
C	Asiento/silla de trabajo de especialista de maniobra
D	Arnés de cuerpo completo (FHB)
E	Detención de caídas de respaldo (PFAS)

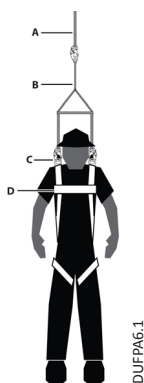


TUFFPAS.1

DUFFPAS.1

Fig. 12 - Rescue/Retrieval	
A	Retrieval Line
B	Retrieval Yoke
C	FBH Shoulder D-Rings
D	Full Body Harness (FBH)

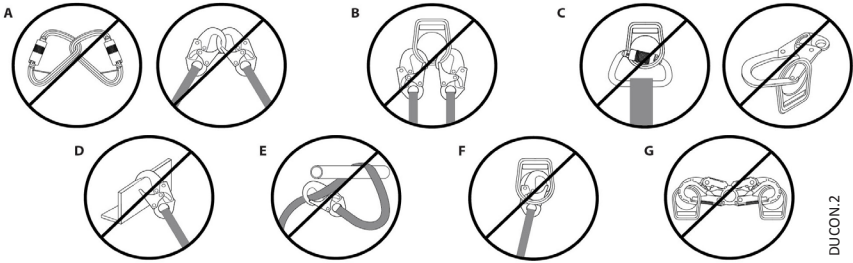
Fig. 12 - Rescate/Retirada	
A	Línea de retirada
B	Balancín de retirada
C	Anillos en "D" para los hombros del FBH
D	Arnés de cuerpo completo (FHB)



TUFFPAG.1

DUFFPAG.1

Incorrect Connections



DUCON.2

Fig. 13 - Incorrect Connections	
A	Never connect two active components (snap hooks or carabiners) to each other.
B	Never connect two active components (snap hooks or carabiners) to a single D-ring at the same time.
C	Never connect in a way that would produce a condition of loading on the gate.
D	Never attach to a object in a manner whereby the gate (of the snap hook or carabiner) would be prevented from fully closing and locking. Always guard against false connections by visually inspecting for closure and lock.
E	Never attach explicitly to a constituent subcomponent (webbing, cable or rope) unless specifically provided for by the manufacturer's instructions for both subcomponents (snap hook or carabiner and webbing, cable or rope).
F	Never attach in a manner where an element of the connector (gate or release lever) may become caught on the anchor thereby producing additional risk of false engagement.
G	Never attach a spreader snap hook to two side/positioning D-rings in a manner whereby the D-rings will engage the gates; the gates on a spreader must always be facing away from the D-rings during work positioning.

Fig. 13 - Conexiones incorrectas	
A	Nunca conecte dos componentes activos (ganchos de cierre instantáneo o mosquetones) entre sí.
B	Nunca conecte dos componentes activos (ganchos de cierre instantáneo o mosquetones) a un solo anillo en "D" al mismo tiempo.
C	Nunca se debe conectar de una manera que se produzca una condición de carga en la hebilla.
D	Nunca conecte a un objeto de tal manera que la hebilla (del gancho de cierre instantáneo o del mosquetón) se vea impedida de cerrarse y bloquearse por completo. Siempre protéjase de falsas conexiones mediante la inspección visual del cierre y bloqueo.
E	Nunca conecte explícitamente a un subcomponente constituyente (correa, cable o cuerda), a menos que se hayan proporcionado específicamente por las instrucciones del fabricante para los subcomponentes (gancho de cierre instantáneo o mosquetón y correa, cable o cuerda).
F	Nunca conecte de modo que un elemento del conector (hebilla o palanca de liberación) pueda quedar atrapada en el anclaje y por lo tanto producir un riesgo adicional de conexión falsa.
G	Nunca conecte un gancho de cierre instantáneo del esparcidor a dos anillos en "D" laterales/de posicionamiento en una forma que los anillos en "D" se acoplen a la hebillas; las hebillas en un esparcidor deben estar siempre orientadas hacia el lado opuesto de los anillos en "D" durante el posicionamiento del trabajo.

TUCON.2

APPENDIX B
042514

Acronyms for Fall Protection and Fall Arrest

Acronyms for Fall Protection and Fall Arrest; ANSI Z359.0-2012			
ACTD	Activation Distance	HLL	Horizontal Lifeline
AD	Arrest Distance	MAF	Maximum Arrest Force
CSS	Connecting Subsystem	mm	Millimeter
DD	Deceleration Distance	PFAS	Personal Fall Arrest System
DDV	Deceleration Device	PPE	Personal Protective Equipment
FACSS	Fall Arrestor Connecting Subsystem	SRD	Self-retracting Device
FAS	Fall Arrest System	TFD	Total Fall Distance
FBH	Full Body Harness	VLL	Vertical Lifeline
FF	Free Fall	VLLSS	Vertical Lifeline Subsystem
FFD	Free Fall Distance	WPS	Work Positioning System
Other Acronyms for Fall Protection and Fall Arrest			
RGLS	Rope Grab Lanyard Set	ANSI	American National Standards Institute
SAL	Shock Absorbing Lanyard	OSHA	Occupational Safety and Health Administration
cm	Centimeters	ASTM	American Society for Testing and Materials
kN	kilo-Newton	lbs	pounds (weight)
RPA	Rebar Positioning Assembly	TPA	Tower Positioning Assembly

Siglas para la protección y detención de caídas; ANSI Z359.0-2012			
ACTD	Distancia de activación	HLL	Cuerda de salvamento horizontal
AD	Distancia de detención	MAF	Fuerza de detención máxima
CSS	Subsistema de conexión	mm	Milímetro
DD	Distancia de desaceleración	PFAS	Sistema personal de detención de caídas
DDV	Dispositivo de desaceleración	PPE	Personal Protective Equipment
FACSS	Subsistema de conexión de detenedor de caídas	SRD	Self-retracting Device
FAS	Sistema de detención de caídas	TFD	Total Fall Distance
FBH	Arnés de cuerpo completo	VLL	Vertical Lifeline
FF	Caída libre	VLLSS	Vertical Lifeline Subsystem
FFD	Distancia de caída libre	WPS	Work Positioning System
Other Acronyms for Fall Protection and Fall Arrest			
RGLS	Equipo de agarre de cordón/cuerda	ANSI	Instituto Nacional de Normas de los Estados Unidos
SAL	Cuerda de salvamento con amortiguación	OSHA	Administración de Seguridad y Salud Ocupacional
cm	Centímetros	ASTM	Sociedad Americana de Pruebas y Materiales
kN	Kilo Newton	lbs	Libras (peso)
RPA	Ensamblaje de posicionamiento con refuerzo	TPA	Ensamblaje de posicionamiento con torre

TUAA.2

Inspection Record

INSPECTION RECORD <i>PLANILLA de INSPECCIÓN</i>		
<p>Model # <i>Modelo N°</i> : _____</p> <p>Serial # <i>N° de serie</i> : _____</p> <p>Date of Manufacture <i>Fecha de fabricación</i> : _____</p>		
Inspection Date <i>Fecha de inspección</i>	Inspector <i>Inspector</i>	Comments <i>Observaciones</i>
Pass/Fail <i>Pasó/No pasó</i>	Corrective Action Needed <i>Accion correctiva a realizar</i>	Approved By <i>Aprobado por</i>



FallTech
1306 South Alameda Street
Compton, CA 90221
Número gratuito: (800) 719-4619
Teléfono: (323) 752-0066
Fax: (323) 752-5613
www.falltech.com