



User Instruction Manual

Chain Roof Anchor

This manual is intended to meet the Manufacturer's Instructions as required by ANSI Z359 and should be used as part of an employee training program as required by OSHA. This manual assumes the user has received training in the use of this equipment.

WARNING

This product is part of a personal fall arrest, restraint, work positioning, suspension, or rescue system. A Personal Fall Arrest System (PFAS) is typically composed of an anchorage and a Full Body Harness (FBH), with a connecting device, i.e., a Shock Absorbing Lanyard (SAL), or a Self-Retracting Device (SRD), attached to the dorsal D-ring of the FBH.

Provide these instructions to the user of this equipment. The user must read and understand the manufacturer's instructions for each component or part of the complete system. Follow manufacturer's instructions for proper use, care, and maintenance of this product. Retain these instructions and keep them available for the user's reference at all times. Alterations or misuse of this product, or failure to follow instructions, may result in serious injury or death.

A Fall Protection Plan must be on file and available for review by all users. It is the responsibility of the user and the purchaser of this equipment to assure that users of this equipment are properly trained in its use, maintenance, and storage.

Training must be repeated at regular intervals. Training must not subject the trainee to fall hazards. When this equipment is in use the employer must have a rescue plan and the means at hand to implement it and communicate that plan to users, authorized persons, and rescuers.

Consult a doctor if there is reason to doubt your fitness to safely absorb the shock of a fall event. Age and fitness seriously affect a worker's ability to withstand falls. Pregnant women or minors must not use this equipment.

NOTE: For more information consult ANSI Z359

1306 South Alameda Street
Compton, CA 90221, USA
1-800-719-4619
1-323-752-0066

www.falltech.com

©2014

TABLE OF CONTENTS

1. DESCRIPTION	
2. APPLICATION	
2.1 Purpose	
2.1.1 Personal Fall Arrest System Application	
2.1.2 Horizontal Lifeline Applications	
2.1.3 Restraint Application	
2.2 Application Limits	
3. SYSTEM REQUIREMENTS	
3.1 Capacity	
3.2 Compatibility of Connectors	
3.3 Compatibility of Components	
3.4 Making Connections	
3.5 Personal Fall Arrest System	
3.5.1 Restraint System	
3.6 Definitions	
4. INSTALLATION AND OPERATION	
4.1 Fall Clearance Calculation:	
4.2 Swing Fall	
4.3 Installation Requirements	
4.4 Anchor Location	
4.4.1 to Install on the Ridge	
4.4.2 to Install on the Field	
4.4.3 Install with Nails	
4.4.3.1 Work Below the Anchor	
4.4.4 Install with Lag Bolts	
4.5. Connect PFAS or Restraint System to the Roof Anchor	
4.5.1 Connect To the HLL Roof Anchor	
4.6 After a Fall	
4.7 At Job Completion	
5. SPECIFICATIONS	
6. MAINTENANCE AND STORAGE	
7. INSPECTION	
7.1 Pre-Use	
7.2 Annual Inspection by a Competent Person	
8. LABELS	
Appendix A - Table 1, Figures 1 – 8	
Appendix B -	

1. DESCRIPTION

The FallTech® Chain Roof Anchor covered in this manual is designed to provide a fall protection anchorage for persons working at height on wood structures and subject to fall hazards.

The Chain Roof Anchor is used by construction and maintenance personnel on residential and commercial roofs, and other locations where fall hazards exist. The Chain Roof Anchor provides multiple options, with a wide variety of load applications for roofing and building maintenance. The Chain Roof Anchor is designed to be temporary and reusable, provided it has not been subjected to fall arrest forces and passes inspection as described in Section 7 of this manual. The anchor may also be used as a restraint anchor depending upon the workplace geometry and the available restraint system components. The anchor is composed of two steel anchoring plates riveted to a flexible rubber centerpiece. Each plate contains holes for nails and shaped holes for lag screws or nails. A length of chain passes through a connection O-ring, allowing the O-ring to slide. Each end of the chain is fastened to an anchor plate with a welded chain-securing stud.

The anchor discussed in this manual meets all applicable OSHA 1926.502 regulations.

See Figure 1 and Table 1 in Appendix A.

This manual contains two appendices, Appendix A and Appendix B. Appendix A contains tables and figures specific to the Chain Roof Anchor.

Appendix B contains tables and figures for fall protection in general.

All figure and table references in this manual are to Appendix A unless stated otherwise.

For purposes of this manual the anchor and associated fasteners may be referred to as the chain roof anchor, the anchor, the product, the equipment, or the unit.

2. APPLICATION

2.1 Purpose: The chain roof anchor is designed to be installed on a wood structure roof and used as single person anchor point for a PFAS to protect the user in a fall event. The anchor may also be used in pairs as the end anchors for a Horizontal Lifeline (HLL).

The anchor may also be used as an anchor for restraint applications.

Installation fasteners, twelve 16d nails, and six 1/4" x 2-1/2" lag bolts, are provided. Installation fastener selection depends on ultimate application. See Figure 2. Fasteners, nails or lag screws, must engage a truss or rafter.

The anchor is reusable provided there has been no fall arrest load and the unit passes the inspection procedures in Section 7 of this manual.

DO NOT use the anchor to lift tools or materials.

2.1.1 Personal Fall Arrest System Application: PFAS typically include an anchorage, a Full Body Harness (FBH), and a deceleration device such as a SAL, an SRD, or a Fall Arrestor Connecting Subsystem (FACSS) when used with a rope grab/SAL. Maximum permissible free fall is six feet. See Figure 2.

The unit may be installed on the roof ridge to allow access to both sides of a peaked roof, or on the roof field for use on one side of the roof.

Two anchors may be installed on the field or ridge as an opposed pair and used as end anchors for an approved HLL system for multiple users. See Figure 3A.

2.1.2 Horizontal Lifeline Applications: An HLL fall arrest system typically includes two anchorage connectors, a lifeline tensioner, and the horizontal lifeline. The HLL must be an approved unit such as FallTech HLL model numbers 777030, 777050, 777075, 777100, 770001, 770003, and 770006. HLL units must be used as instructed according to the procedures detailed in the current edition of the FallTech User Instruction Manual for each model number. See Figure 3A and 3B.

2.1.3 Restraint Application: Restraint systems are designed to prevent the user from reaching a fall hazard area. These systems are of two types; a restraint lanyard in conjunction with a manual rope adjuster or one equipped with a parking feature connected to a VLL, or a short tether attached to the anchorage to prevent the user from reaching a fall hazard. No vertical free fall is permitted. See Figure 4.

2.2 Application Limits: The anchor is subject to load direction restrictions, dependent on installation fastener. See Section 4 for complete installation details.

2.2.1 Installed with Nails: The anchor may be installed on the ridge or on the field with the twelve provided 16d nails driven through the holes in the anchor plates, through the sheathing, and into a truss or rafter. Installed with nails, the anchor is an OSHA compliant 3,600lb single point anchor.

Application is as follows;

Use on the Ridge – As a PFAS attachment point for an SRD, or a FACSS. See paragraph 2.1.1. The anchor installed with nails on the ridge provides user access to both slopes of the ridge. On a low-slope roof, the user has considerable mobility, but must remain aware of edges and swing fall hazards. On a roof of normal slope, user mobility is limited to 30° on each side of the anchor's longitudinal (in line with anchor plates) centerline. See Figure 5B. Ensure the chain and connection eye is straight down after crossing the ridge.

Use on the Field – Installed on the field, the anchor may be used for a single user in a PFAS or restraint application. Do not cross the ridge to work on the other side. On a low-slope roof, the user has considerable mobility on the one side, but must remain aware of edges and swing fall hazards. On a roof of normal slope, user mobility is limited to below the anchor, and up to 30° on each side of the anchor's longitudinal (in line with anchor plates) centerline.

2.2.2 Installed with Lag Bolts: The anchor may be installed on the ridge or on the field with the six 1/4" x 2-1/2" lag bolts driven through the lag bolt holes in the anchor plates, through the sheathing, and into a truss or rafter. Installed with lag bolts, the anchor is an OSHA compliant 5,000lb anchor. Application is as follows;

Use on the Ridge – as a PFAS attachment point for an SRD, or a FACSS. See paragraph 2.1.1. Installed on the ridge with lag bolts, it may be loaded in any direction, as shown in Figure 5A. Placed on the middle of the ridge on a low-slope roof, mobility is 360°, with access to most areas of the roof, to the limit of the PFAS device being used for fall protection. On a normal slope roof, mobility is 360°, within the limits of the PFAS device. Be aware of edges and swing fall hazards, and ensure the connection O-ring and chain realign properly, without kinks or binding on the chain attachment stud. The anchor may be installed with lag bolts on the ridge and used as the end connectors for an approved HLL system. See paragraph 2.1.2.

Use on the Field - as a PFAS attachment point for an SRD, or a FACSS. Installation with lag bolts on the field allows the anchor to be loaded at right angles to the longitudinal axis. Do not work above the anchor if installed on the field. Low-slope roofs offer more latitude in use. Do not cross over the ridge and work on the opposite slope. Use caution, remain aware of edges and swing fall hazards. Normal slope roofs are more restricted as the fall hazards are greater. The anchor may be installed in pairs with lag bolts on the field and used as the end connectors for an approved HLL system. See paragraph 2.1.2.

3. SYSTEM REQUIREMENTS

3.1 Capacity: Limit user weight to 130 – 310 lbs., (59 – 140.6 kg), including clothing, tools, etc. No more than one PFAS may be attached to one anchor at any time.

3.2 Compatibility of Connectors: Connectors are considered compatible with connecting elements when they have been designed to work together in such a way that their sizes and shapes do not cause their gate mechanisms to open inadvertently, regardless of how they become oriented. Contact FallTech if you have any questions about compatibility. Connectors must be compatible with the anchorage or other system components. Do not use equipment that is not compatible. Non-compatible connectors may unintentionally disengage. Connectors must be compatible in size, shape, and strength. ANSI and OSHA require self-closing, self-locking snap hooks and carabiners. See Figure 13 in Appendix B for common incorrect connections to avoid. **DO NOT** attach rebar hooks to this anchor. A side load on the gate may cause an unintentional disengagement. Use only self-closing, self-locking snap hooks and carabiners.

3.3 Compatibility of Components: Equipment is designed for use with approved components and subsystems only. Substitutions or replacements made with non-approved components or subsystems may jeopardize compatibility of equipment and may affect the safety and reliability of the complete system.

3.4 Making Connections: Use only connectors designed for use with this equipment, suitable to each application. Ensure all connections are compatible in size and strength. Do not use equipment that is not compatible. Visually ensure all connectors are fully closed and locked. Connectors (snap hooks and carabiners) are designed to be used only as specified in each product’s user instructions.

3.5 Personal Fall Arrest System: PFAS used with the chain roof anchor must meet ANSI Z359 requirements and applicable OSHA regulations. An anchorage selected for PFAS must be able to sustain a static load applied in the direction permitted by the PFAS of at least:

- a) Two times the maximum arrest force permitted when certification exists, or
- b) 5,000 lbs., (22.2 kN) in the absence of certification.

An FBH must be worn when this equipment is used as a component of a PFAS. As required by OSHA, the personal fall arrest system must be able to arrest the user’s fall with a maximum arresting force of 1,800 lbs., and in this application limit free fall to 12 feet or less.

If the maximum free fall distance must be exceeded, the employer must document, based on test data, that the maximum arresting force will not be exceeded, and the personal fall arrest system will function properly.

3.5.1 Restraint System: An anchorage selected for restraint must be able to support a static load applied in the direction permitted by the system of at least:

- a) Two times the foreseeable force when certification exists, or
- b) 1,000 lbs. (4.4 kN) in the absence of certification.

An FBH must be worn when this equipment is used as a component of a restraint system. As required by OSHA, the restraint system must prevent the user from reaching a fall hazard area. Free fall is not permitted.

3.6 Definitions: The following are definitions of terms.

Authorized Person: A person assigned by the employer to perform duties at a location where the person will be exposed to a fall hazard (otherwise referred to as “user” for the purpose of these instructions).

Certified Anchorage: An anchorage for fall arrest, positioning, restraint, or rescue systems that a qualified person certifies to be capable of supporting the potential fall forces that could be encountered during a fall or that meet the criteria for a certified anchorage prescribed in this standard.

Competent Person: One who is capable of identifying existing and predictable hazards in the surroundings or working conditions which are unsanitary, hazardous, or dangerous to employees, and who has authorization to take prompt corrective measures to eliminate them.

Qualified Person: A person with a recognized degree or professional certificate and with extensive knowledge, training, and experience in the fall protection and rescue field who is capable of designing, analyzing, evaluating and specifying fall protection and rescue systems to the extent required by this standard.

Rescuer: Person or persons other than the rescue subject acting to perform an assisted rescue by operation of a rescue system.

4. INSTALLATION AND OPERATION

Installation of anchorages must be under the supervision of a competent person trained in their design and use.

NOTE: Approved fall protection may be required during installation of all Anchorage units discussed in this manual.

DO NOT use any anchorage discussed in this manual until the system has been completely installed, inspected, and approved for use by a competent person.

4.1 Fall Clearance Distance: Take action to reduce the danger of falls. Ensure sufficient clearance in the fall area to arrest the fall before striking the ground or other objects. The actual clearance required is dependent upon the type of connecting subsystem used (SAL, SRD, etc.). Swing fall conditions will increase the Clear Fall requirement, and HLL systems will require additional fall clearance. Consult the HLL user instructions.

4.2 Swing Fall: Swing falls occur when the anchorage point is not directly above the point where a fall occurs. The total fall distance may be greatly increased during a swing fall. The force of striking an object in a swing fall may cause serious injury. Minimize swing falls by installing anchors at least six feet from exposed roof edges and by working as directly below the anchorage point as possible. Move the anchor as required or install additional anchors no more than 8 feet apart. See Figure 8.

4.3 Installation Requirements: Inspect the anchor before each use according to the inspection procedure detailed in Section 7 of this manual. Consider conditions and circumstances that could affect user safety. Select a suitable anchor point that will support the strength requirement and minimize free fall and swing hazards. See Section 3 of this manual for anchorage strength requirements.

The anchor is designed for roof installation on wood frame structures, located along the ridge, or on the field, on top of sheathing, directly over and attached to a truss or rafter. See Figure 6.

Install the anchor a minimum 6ft. from any exposed edge, and a maximum of 8ft. apart along the ridge or on the field. For hip roofs, install at least one anchor per hip face. See Figure 7. Anchors may be installed with nails or lag screws. Application, force and load direction dictate fastener choice.

NOTE: Approved fall protection may be required during installation of all anchorage units discussed in this manual.

4.4. Anchor Location: Plan the installation carefully. Determine the location and usage. Location choices are on the ridge, or on the field, as shown in Figure 6.

4.4.1 To Install on the Ridge: Lay the anchor on top of the ridge with the flexible portion centered. Ensure the location is 6ft. from the edge, and that the anchor is directly over a truss or rafter. Ensure the location will support the anchor load detailed in Section 3 of this manual. See Figure 6.

4.4.2 To Install on the Field: Choose a location on the field, 6ft from any edge, directly over a truss or rafter, and not on a gable, eave, or fascia. Ensure the chosen site can provide a minimum of 6ft of fall clearance. See Figure 6. Ensure the location will support the anchor load detailed in Section 3 of this manual.

4.4.3 Install with Nails: With the anchor in the correct location on the ridge or on the field, drive in twelve 16d nails. Ensure all 12 nails engage the center of the truss or rafter. Installation for PFAS with nails creates an OSHA compliant 3,600lb anchor only within 30° of the anchor's longitudinal axis, in line with the anchor plates. See Figure 5B.

An anchor for restraint application may be installed with nails.

4.4.3.1 Work Below the Anchor: If the anchor is installed on the ridge, the user may cross the ridge and work on both slopes. If moving to the opposite side of the ridge, ensure the anchor chain is moved completely and the connection O-ring is on the work side of the ridge. The user must remain within the prescribed work zone defined by the 30° limit on either side of the anchor's longitudinal axis on both slopes.

If the anchor is installed on the field, the user must remain within the prescribed work zone defined by the 30° longitudinal limit. Do not cross over the ridge.

4.4.4 Install with Lag Bolts: The anchor may be installed on the ridge or the field using lag bolts. Choose a location directly over a truss or rafter and a minimum of 6ft. from any edge. Place the anchor. Drill a 3/16" pilot hole in all six lag bolt holes. Drive in six 1/4" x 2-1/2" lag bolts.

When the anchor is installed on the ridge or field as a single point anchor with lag bolts, the anchor is an OSHA compliant 5,000lb anchor and may also be loaded perpendicular to the anchor plates, as shown in Figure 5.

HLL applications as shown in Figure 3A must be installed with lag bolts.

DO NOT

- Mount an anchor directly onto a truss without sheathing substrate.
- Mount the anchor on unsupported roof areas such as eaves, gables and overhangs.
- Use an anchor mounted downslope on the opposite side of the ridge. Install a separate anchor.
- Use the anchorage until the system has been completely installed, inspected, and approved for use by a competent person.

NOTE: The requirement for approved fall protection during installation of this anchor applies to all anchor models covered in this manual.

See paragraph 4.4 for additional anchorage location information.

DO NOT work above the anchorage.

4.5. Connect PFAS or Restraint System to the Roof Anchor: Connect to the roof anchor using an approved PFAS or restraint system. Do not connect a rebar hook or a large throat opening carabiner to the chain roof anchor. Consult the PFAS manufacturer's user instructions for details.

Use caution on a normally sloped roof and avoid swing falls. If installed on the field, do not cross the roof ridge.

4.5.1 Connect to The HLL Roof Anchor: Connect an approved HLL system to the anchors. Consult the HLL manufacturer's user instruction manual for details. See Figure 3 for a list of approved FallTech HLL part numbers.

4.6 After a Fall: Any equipment subjected to fall arrest forces or exhibiting damage consistent with the effect of a fall event must be removed from service immediately.

4.7 At Job Completion: The chain roof anchor is designed as a temporary reusable anchor, to be removed and reinstalled. If nailed, pry loose the anchor. Exercise caution, do not bend or deform the anchor plate. Do not pull on the chain or O-ring to detach the anchor. If attached with lag bolts, remove the lag bolts. The user must make any necessary roof or structural repairs that result from installation, use and de-installing the anchor.

5. SPECIFICATIONS See Table 1.

6. MAINTENANCE AND STORAGE

There is no regular maintenance required for this equipment.

6.1 Storage: When not installed, store in a clean, dry area. Avoid direct sunlight and exposure to environmental elements. Do not place other equipment or objects on top of the anchors. Do not store in a manner that would allow other equipment to bend, crack, contaminate or otherwise damage the unit.

6.2 Remove From Service: Remove the anchor from service if it has been subjected to fall arrest forces or fails inspection.

7. INSPECTION OF CHAIN ANCHOR

Prior to each use, the user must inspect the anchor for any physical damage, wear, corrosion or missing parts. If the anchorage has been subjected to fall arrest forces it must be removed from service.

Inspect for:

1. Cracks or fractures
2. Broken welds, rings, or studs
3. Corrosion
4. Bent plates or rings
5. A build-up of contaminants

If routine inspection reveals damage to the anchor, discontinue use and remove it from service.

Record inspection results on the Inspection Record found in Appendix A or on any suitable record.

8. LABELS

The following labels must be present and legible:

FALLTECH Chain Anchor

Model#: 7493A
 Chain Anchor
 Materials: Steel and Fiber Reinforced Synthetic
 Capacity: 130 - 310 lbs including clothing, tools, etc.
 OSHA 1926.502

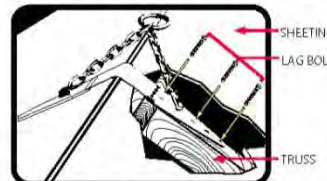
Date of Mfr: April 2014
Serial #: XXXXXXX

WARNING THIS EQUIPMENT IS DESIGNED FOR USE AS A FALL PROTECTION ANCHOR. USER MUST READ AND FOLLOW INSTRUCTIONS SUPPLIED WITH THIS PRODUCT AT TIME OF SHIPMENT. FAILURE TO DO SO MAY RESULT IN SERIOUS INJURY OR DEATH. AVOID CONTACT WITH SHARP EDGES, ABRASIVE SURFACES, CHEMICALS, SALT WATER, ACIDS, AND ALKALINES. MAKE ONLY COMPATIBLE CONNECTIONS. SEE INSTRUCTIONS FOR RESTRICTIONS ON USE WITH COMPONENTS, SUBSYSTEMS, OR SYSTEMS WITH WHICH THIS PRODUCT IS DESIGNED TO BE USED. SEE INSTRUCTIONS FOR INSPECTION PROCEDURES.

INSTALLATION Install the anchor over the roof peak or in the roof field, on top of the sheathing directly over a truss or rafter of a wood roof structure. Support structure must be able to support the loads the anchor will be subjected to in normal use. Drive in the supplied six 1/4" x 2-1/2" lag bolts or twelve 16d nails. See the user instruction manual for complete installation procedures and limitations.

INSPECTION Inspect the anchor before each use. Semi-annual inspection by a competent person is recommended. Do not use if inspection reveals unsafe or defective condition. Remove the anchor from service immediately if it has been subjected to fall arrest forces. See the user instruction manual for complete inspection procedures.

DO NOT REMOVE LABEL.



Attach fall protection subsystem to the O-ring. Attachments must use an ANSI Z359.12-2009 compliant carabiner or snaphook. Do not use a rebar hook or a large throat opening snap hook for connecting. Do not use the anchor on the opposite side of a roof peak if installed on the field. May be used with approved FallTech HLL systems part numbers 777030, 777050, 777075, 777100, 770006, 770001, 770003. Maintain a load direction within 30° of the anchor centerline. See user instruction manual for complete use procedures.

MARK ON DATE GRID AN INITIAL SERVICE BY DATE OF PASSED INSPECTION REMOVE IT FROM SERVICE															
				J	F	M	A	M	J	J	A	S	O	N	D
	2014														
	2015														
	2016														
	2017														

CAL01 03/ 2014



Manual de instrucciones para el usuario

Anclaje para techo con cadena

Este manual está destinado a cumplir con las instrucciones del fabricante, según lo requerido por ANSI Z359 y debe utilizarse como parte de un programa de capacitación para empleados según se requiere por la OSHA. Este manual asume que el usuario ha recibido capacitación en el uso de este equipo.

ADVERTENCIA

Este producto es parte de un sistema personal de detención de caídas, de restricción, posicionamiento del trabajo, suspensión o de rescate. Un Sistema personal de detención de caídas (PFAS, por sus siglas en inglés) por lo general está compuesto de un anclaje y un Arnés de cuerpo completo (FBH, por sus siglas en inglés), con un dispositivo de conexión, es decir, una Cuerda de salvamento con amortiguación (SAL, por sus siglas en inglés), o un Dispositivo autorretráctil (SRD, por sus siglas en inglés), conectado al anillo en "D" dorsal del FBH.

Proporcione estas instrucciones para el usuario de este equipo. El usuario debe leer y comprender las instrucciones del fabricante para cada componente o parte del sistema completo. Siga las instrucciones del fabricante para el uso, cuidado y mantenimiento correctos de este producto. Conserve estas instrucciones y manténgalas disponibles para consulta del usuario en todo momento. Las alteraciones o el uso indebido de este producto o no seguir las instrucciones pueden causar lesiones graves o la muerte.

Un Plan de protección contra caídas debe estar archivado y disponible para su revisión por parte de todos los usuarios. El usuario y el comprador de este equipo tienen la responsabilidad de asegurarse de que los usuarios de este equipo están debidamente capacitados sobre su uso, mantenimiento y almacenamiento.

La capacitación se debe repetir a intervalos regulares. La capacitación no debe someter a los usuarios a peligros de caídas. Cuando este equipo está en uso, el empleador debe tener un plan de rescate y los medios a la mano para implementarlo, y debe comunicar el plan a los usuarios, las personas autorizadas y al personal de rescate.

Consulte a un médico si hay razones para dudar de su aptitud para absorber con seguridad el impacto de un evento de caída. La edad y el estado físico afectan gravemente a la capacidad de los trabajadores para soportar caídas. Las mujeres embarazadas y los menores de edad no deben utilizar este equipo.

NOTA: Para obtener más información, consulte ANSI Z359

1306 South Alameda Street
Compton, CA 90221, USA
1-800-719-4619
1-323-752-0066
www.falltech.com
©2014

ÍNDICE

1. DESCRIPCIÓN

2. APLICACIÓN

2.1 Objetivo

- 2.1.1 Aplicación del Sistema personal de detención de caídas
- 2.1.2 Aplicaciones con cuerdas de salvamento horizontales
- 2.1.3 Aplicación de restricción

2.2 Límites de la aplicación

3. REQUISITOS DEL SISTEMA

3.1 Capacidad

3.2 Compatibilidad de conectores

3.3 Compatibilidad de componentes

3.4 Realizar las conexiones

3.5 Sistema personal de detención de caídas

3.5.1 Sistema de restricción

3.6 Definiciones

4. INSTALACIÓN Y OPERACIÓN

4.1 Cálculo de la distancia de caída despejada:

4.2 Caída con balanceo

4.3 Requisitos de instalación

4.4. Ubicación del anclaje

4.4.1 Instalar en el caballete

4.4.2 Instalar en el campo

4.4.3 Instalar con clavos

4.4.3.1 Trabajo debajo del anclaje

4.4.4 Instalar con tirafondos

4.5. Conectar el PFAS o sistema de restricción al anclaje del techo

4.5.1 Conectar al anclaje del techo con HLL

4.6 Después de una caída

4.7 Al concluir el trabajo

5. ESPECIFICACIONES

6. MANTENIMIENTO Y ALMACENAMIENTO

7. INSPECCIÓN

7.1 Antes del uso

7.2 Inspección anual por una persona competente

8. ETIQUETAS

Apéndice A - Tabla 1, Figuras 1 – 8

Apéndice B -

1. DESCRIPCIÓN

El Anclaje para techo con cadena FallTech® cubierto en este manual está diseñado para proporcionar un anclaje de protección contra caídas para las personas que trabajan en alturas en estructuras de madera y que están sujetas a peligros de caídas.

El Anclaje para techo con cadena se utiliza por el personal de construcción y mantenimiento en techos residenciales y comerciales, y en otros lugares donde existen peligros de caídas.

El Anclaje para techo con cadena ofrece múltiples opciones, con una amplia variedad de aplicaciones de carga para el techado y el mantenimiento de los edificios. El Anclaje para techo con cadena está diseñado para ser temporal y reutilizable, siempre que no haya sido sometido a fuerzas de detención de caídas y que pase la inspección, como se describe en la sección 7 de este manual.

El anclaje también puede utilizarse como un anclaje de restricción dependiendo de la geometría del lugar de trabajo y los componentes disponibles del sistema de restricción.

El anclaje está compuesto por dos placas de anclaje en acero remachadas en una pieza central flexible de goma. Cada placa contiene agujeros para los clavos y agujeros moldeados para los tirafondos o clavos. Una longitud de cadena pasa a través de una conexión con anillo en "O", la cual permite que el anillo en "O" se deslice. Cada extremo de la cadena está sujeto a una placa de anclaje con un montante soldado que fija la cadena.

El anclaje descrito en este manual cumple con todos los reglamentos aplicables de OSHA 1926.502.

Consulte la Figura 1 y la Tabla 1 en el Apéndice A.

Este manual contiene dos apéndices, el Apéndice A y el Apéndice B. El Apéndice A contiene las figuras y las tablas específicas para el Anclaje para techo con cadena.

El Apéndice B contiene las figuras y las tablas para la protección contra caídas en general.

Todas las referencias de figuras y tablas en este manual están en el Apéndice A a menos que se indique lo contrario.

Para los efectos de este manual, el anclaje y los sujetadores asociados se pueden denominar como anclaje para techo con cadena, el anclaje, el producto, el equipo, o la unidad.

2. APLICACIÓN

2.1 Objetivo: El anclaje para techo con cadena está diseñado para ser instalado en una estructura de madera del techo y para usarlo como un punto de anclaje para una sola persona para que un PFAS proteja al usuario en un evento de caída. El anclaje también se puede utilizar en pares como anclajes para los extremos de una Cuerda de salvamento horizontal (HLL, por sus siglas en inglés).

El anclaje también se puede utilizar como un anclaje para aplicaciones de restricción.

Se proporcionan sujetadores de instalación, doce clavos de 16d, y seis tirafondos de 1/4" x 2-1/2". La selección del sujetador de instalación depende de la aplicación final. Ver la Figura 2. Los sujetadores, clavos o tirafondos deben conectarse a un puntal o viga.

El anclaje es reutilizable siempre que no haya ocurrido una carga de detención de caídas y que la unidad pase los procedimientos de inspección detallados en la Sección 7 de este manual.

NO utilice el anclaje para levantar herramientas o materiales.

2.1.1 Aplicación del Sistema personal de detención de caídas: El PFAS por lo general incluye un anclaje, un Arnés de cuerpo completo (FBH, por sus siglas en inglés) y un dispositivo de desaceleración, tales como una Cuerda con amortiguación (SAL), un Dispositivo autorretráctil (SRD), o un Subsistema de conexión de detenedor de caídas (FACSS) cuando se utiliza con un agarre de cuerda/SAL. La caída libre máxima permitida es de seis pies (1,8 m). Ver la Figura 2.

La unidad se puede instalar en el caballete del techo para permitir el acceso a ambos lados de un techo con punta, o en el campo del techo para su uso en un lado del techo.

Dos anclajes se pueden instalar en el campo o el caballete como un par opuesto, y utilizarlos como anclajes del extremo para un sistema de HLL aprobado para múltiples usuarios. Ver la Figura 3A.

2.1.2 Aplicaciones con cuerdas de salvamento horizontales: Un sistema de detención de caídas con HLL normalmente incluye dos conectores de anclaje, un tensor de la cuerda de salvamento y una cuerda de salvamento horizontal. La HLL debe ser una unidad aprobada, tales como los números de modelos de HLL de FallTech 777030, 777050, 777075, 777100, 770001, 770003, y 770006. Las unidades de HLL deben utilizarse según los procedimientos detallados en la edición actual del Manual de instrucción para usuarios de FallTech para cada número de modelo. Consulte las Figuras 3A y 3B.

2.1.3 Aplicación de restricción: Los sistemas de restricción están diseñados para evitar que el usuario llegue a un área de peligro de caída. Estos sistemas son de dos tipos: una cuerda de restricción en conjunto con un ajustador manual de cuerda o uno equipado con función de detención conectado a una VLL, o un amarre corto conectado al anclaje para evitar que el usuario llegue a un peligro de caída. No se permite la caída libre vertical. Ver la Figura 4.

2.2 Límites de la aplicación: El anclaje está sujeto a restricciones de la dirección de la carga, dependiendo del sujetador de la instalación. Consulte la Sección 4 para obtener los detalles completos sobre la instalación.

2.2.1 Instalar con clavos: El anclaje se puede instalar en el caballete o en el campo con los doce clavos 16d proporcionados colocados a través de los agujeros en las placas del anclaje, a través del revestimiento, y en un puntal o viga. Al estar instalado con clavos, el anclaje es un anclaje de un solo punto para 3.600 libras (1.634 kg) conforme a la OSHA. La aplicación es de la siguiente manera;

Uso en el caballete - como un punto de conexión del PFAS para un SRD, o un FACSS. Consulte el párrafo 2.1.1. El anclaje instalado con clavos en el caballete proporciona acceso al usuario a ambas inclinaciones del caballete. En un techo con inclinación baja, el usuario tiene una movilidad considerable, pero debe ser consciente de los bordes y los peligros de caídas con balanceo. En un techo con una inclinación normal, la movilidad del usuario se limita a 30° a cada lado de la línea central longitudinal del anclaje (en línea con las placas del anclaje). Ver la Figura 5B. Asegúrese de que la cadena y el ojal de conexión estén rectos hacia abajo después de cruzar el caballete.

Uso en el campo - cuando está instalado en el campo, el anclaje se puede utilizar para un solo usuario en un PFAS o una aplicación de restricción. No cruce el caballete para trabajar en el otro lado. En un techo con inclinación baja, el usuario tiene una movilidad considerable en uno de los lados, pero debe ser consciente de los bordes y los peligros de caídas con balanceo. En un techo con una inclinación normal, la movilidad del usuario se limita a debajo del anclaje y hasta por 30° a cada lado de la línea central longitudinal del anclaje (en línea con las placas del anclaje).

2.2.2 Instalar con tirafondos: El anclaje se puede instalar en el caballete o en el campo con los seis tirafondos de 1/4" x 2-1/2" colocados a través de los agujeros para los tirafondos en las placas del anclaje, a través del revestimiento, y en un puntal o viga. Al estar instalado con tirafondos, el anclaje es un anclaje para 5.000 libras (2.268 kg) conforme a la OSHA. La aplicación es de la siguiente manera;

Uso en el caballete - como un punto de conexión del PFAS para un SRD, o un FACSS. Consulte el párrafo 2.1.1. Cuando se instala en el caballete con los tirafondos, puede cargarse en cualquier dirección, tal como se muestra en la Figura 5A. Cuando se coloca en el centro del caballete en un techo con inclinación baja, la movilidad es de 360°, con acceso a la mayoría de las áreas del techo, hasta el límite del dispositivo de PFAS que se utiliza para la protección contra caídas. En un techo con inclinación normal, la movilidad es de 360°, dentro de los límites del dispositivo de PFAS. Tenga cuidado con los bordes y los peligros de caídas con balanceo, y asegúrese de que la conexión del anillo en "O" y la cadena se realinean correctamente, sin dobleces ni ribetes en el montante de la conexión con cadena. El anclaje se puede instalar con tirafondos en el caballete y se puede utilizar como los conectores finales para un sistema aprobado de HLL. Consulte el párrafo 2.1.2.

Uso en el campo - como un punto de conexión del PFAS para un SRD, o un FACSS. La instalación con tirafondos en el campo permite que el anclaje sea cargado en los ángulos correctos con respecto al eje longitudinal. No trabaje por encima del anclaje si está instalado en el campo. Los techos con inclinación baja ofrecen más libertad en el uso. No cruce sobre el caballete para trabajar en la pendiente opuesta. Tenga precaución, al permanecer consciente de los bordes y los peligros de caídas con balanceo. Los techos con inclinaciones normales son más restringidos ya que los peligros de caídas son mayores.

El anclaje se puede instalar en pares con tirafondos en el campo y se puede utilizar como los conectores finales para un sistema aprobado de HLL. Consulte el párrafo 2.1.2.

3. REQUISITOS DEL SISTEMA

3.1 Capacidad: Limite el peso del usuario de 130 a 310 libras (59 a 140,6 kg), incluyendo ropa, herramientas, etc. No se puede conectar más de un PFAS a un anclaje en cualquier momento.

3.2 Compatibilidad de conectores: Los conectores son considerados compatibles con elementos de conexión cuando se han diseñado para funcionar en conjunto, de manera que sus formas y tamaños no causen que sus mecanismos de compuerta se abran inadvertidamente, de manera independiente a la forma en que queden orientados. Comuníquese con FallTech si tiene alguna pregunta acerca de la compatibilidad. Los conectores deben ser compatibles con el anclaje u otros componentes del sistema. No utilice el equipo que no sea compatible. Los conectores no compatibles pueden soltarse accidentalmente. Los conectores deben ser compatibles en tamaño, forma y resistencia. ANSI y OSHA requiere mosquetones y ganchos de cierre y bloqueo automático. Consulte la Figura 13 en el Apéndice B para las conexiones incorrectas comunes a evitar.

NO conecte ganchos de refuerzo a este anclaje. Una carga lateral en el pestillo puede provocar una desconexión accidental. Solo utilice mosquetones y ganchos de cierre y bloqueo automático.

3.3 Compatibilidad de componentes: El equipo está diseñado para su uso sólo con componentes y subsistemas aprobados. Las sustituciones o reemplazos realizados con componentes o subsistemas no aprobados pueden poner en peligro la compatibilidad de los equipos y pueden afectar a la seguridad y la fiabilidad del sistema completo.

3.4 Realizar las conexiones: Utilice sólo los conectores diseñados para su uso con este equipo, adecuados a cada aplicación. Asegúrese de que todas las conexiones son compatibles en tamaño y resistencia. No utilice el equipo que no sea compatible. Asegúrese visualmente de que todos los conectores están completamente cerrados y bloqueados. Los conectores (mosquetones y ganchos de cierre automático) están diseñados para ser usados sólo como se indica en las instrucciones del usuario de cada producto.

3.5 Sistema personal de detención de caídas: El Sistema personal de detención de caídas (PFAS, por sus siglas en inglés) utilizado con este anclaje para techo con cadena debe cumplir con los requisitos de ANSI Z359 y los reglamentos aplicables de la OSHA. El anclaje seleccionado para el PFAS debe poder sostener una carga estática aplicada en la dirección permitida por el PFAS de al menos:

- dos veces el máximo de fuerza de detención permitida cuando exista la certificación, o
- 5.000 libras (2.268 kg) (22.2 kN) en ausencia de la certificación.

Se debe utilizar un Arnés de cuerpo completo (FBH, por sus siglas en inglés) cuando se utiliza este equipo como un componente de un PFAS. La OSHA exige el uso del sistema personal de detención de caídas para detener la caída del usuario con una fuerza máxima de detención de 1.800 libras (816,5 kg), y para limitar la caída libre a 12 pies (3,7 m) o menos.

Si se debe exceder la distancia máxima de caída libre, el empleador debe documentar, con base en los datos de prueba, que no se excederá de la fuerza máxima de detención, y que el sistema personal de detención de caídas funcionará correctamente.

3.5.1 Sistema de restricción: El anclaje seleccionado para restricción debe poder sostener una carga estática aplicada en la dirección permitida por el sistema de al menos:

- dos veces la fuerza previsible cuando exista la certificación, o
- 1.000 libras (453,5 kg) (4.4 kN) en ausencia de la certificación.

Se debe utilizar un Arnés de cuerpo completo (FBH, por sus siglas en inglés) cuando se utiliza este equipo como un componente de un sistema de restricción. Según lo requiere la OSHA, el sistema de restricción debe evitar que el usuario llegue a un área de peligro de caída. La caída libre no está permitida.

3.6 Definiciones: Las siguientes son las definiciones de los términos.

Persona autorizada: Una persona asignada por el empleador para realizar sus obligaciones en un lugar donde la persona estará expuesta a un peligro de caída (de lo contrario, se denomina como "usuario" a los efectos de estas instrucciones).

Anclaje certificado: Un anclaje para detención de caídas, posicionamiento, restricción, o sistemas de rescate que una persona calificada certifica de que puede soportar las posibles fuerzas de caída, las cuales podrían presentarse durante una caída o que cumple con los criterios para un anclaje certificado previsto en la norma.

Persona competente: Una persona que es capaz de identificar los peligros existentes y predecibles en los alrededores o condiciones de trabajo que son insalubres o peligrosas para los empleados, y quien tiene la autorización para tomar con prontitud medidas correctivas para eliminarlos.

Persona calificada: Una persona con un título o certificado profesional reconocido y con amplios conocimientos, capacitación y experiencia en la protección contra caídas y el campo de rescate, quien es capaz de diseñar, analizar, evaluar y especificar los sistemas de protección contra caídas y sistemas de rescate en la medida exigida por la norma.

Socorrista: Persona o personas distintas al sujeto que actúa en la realización de un rescate asistido por la operación de un sistema de rescate.

4. INSTALACIÓN Y OPERACIÓN

La instalación de los anclajes debe estar bajo la supervisión de una Persona competente, capacitada en su diseño y uso.

NOTA: La protección contra caídas aprobada puede ser necesaria durante la instalación de todas las unidades de anclajes descritas en este manual.

NO utilice cualquier anclaje descrito en este manual hasta que el sistema se haya instalado, inspeccionado, y aprobado por completo para su uso por parte de una Persona competente.

4.1 Distancia de caída despejada: Tome medidas para reducir el peligro de caídas. Asegúrese de que haya suficiente espacio libre en el área de caída para detener la caída antes de que entre en contacto con el suelo u otros objetos. La distancia despejada necesaria depende del tipo de subsistema de conexión utilizado (SAL, SRD, etc.). Las condiciones de caídas con balanceo aumentarán el requisito de caída despejada, y los sistemas de HLL requerirán una distancia adicional de caída despejada. Consulte las instrucciones del usuario de HLL.

4.2 Caída con balanceo: La caída con balanceo se produce cuando el punto de anclaje no está directamente por encima del punto donde ocurre la caída. La distancia total de caída se puede aumentar considerablemente durante una caída con balanceo. La fuerza de golpear un objeto en una caída con balanceo puede causar lesiones graves. Minimice las caídas con balanceo al instalar los anclajes a por lo menos seis pies (1,8 m) de los bordes expuestos del techo y al trabajar lo más directamente posible por debajo del punto de anclaje. Mueva el anclaje según sea necesario o instale anclajes adicionales a no más de 8 pies (2,4 m) de distancia. Ver la Figura 8.

4.3 Requisitos de instalación: Inspeccione el anclaje antes de cada uso de acuerdo con el procedimiento de inspección indicado en la sección 7 de este manual. Considere las condiciones y circunstancias que puedan afectar a la seguridad del usuario. Seleccione un punto de anclaje adecuado para apoyar el requisito de resistencia y minimizar los peligros de caída libre y con balanceo. Consulte la Sección 3 de este manual para los requisitos de resistencia del anclaje.

El anclaje está diseñado para su instalación en el techo en estructuras de marcos de madera, ubicadas a lo largo del caballete, o en el campo, en la parte superior del revestimiento, directamente sobre el mismo y conectado a un puntal o viga. Ver la Figura 6.

Instale el anclaje a un mínimo de 6 pies (1,8 m) de cualquier borde expuesto, y a un máximo de 8 pies (2,4 m) de separación, a lo largo del caballete o en el campo. Para los techos con cumbrera, instale al menos un anclaje por el frente de la cumbrera. Ver la Figura 7. Los anclajes pueden ser instalados con clavos o tirafondos. La aplicación, fuerza y dirección de la carga determinan el sujetador a seleccionar.

NOTA: La protección contra caídas aprobada puede ser necesaria durante la instalación de todas las unidades de anclajes descritas en este manual.

4.4. Ubicación del anclaje: Planifique la instalación con cuidado. Determine la ubicación y el uso. Las opciones de ubicación se encuentran en el caballete, o en el campo, como se muestra en la Figura 6.

4.4.1 Instalar en el caballete: Coloque el anclaje en la parte superior del caballete, con la parte flexible centrada. Asegúrese de que la ubicación esté a 6 pies (1,8 m) del borde, y que el anclaje esté directamente sobre un puntal o viga. Asegúrese de que la ubicación apoyará la carga del anclaje detallada en la Sección 3 de este manual. Ver la Figura 6.

4.4.2 Instalar en el campo: Elija una ubicación en el campo, a 6 pies (1,8 m) de cualquier borde, directamente sobre un puntal o viga, y no sobre un alero, gablete o junta. Asegúrese de que el sitio elegido puede proporcionar un mínimo de 6 pies (1,8 m) de distancia de caída despejada. Ver la Figura 6. Asegúrese de que la ubicación apoyará la carga del anclaje detallada en la Sección 3 de este manual.

4.4.3 Instalar con clavos: Con el anclaje en la ubicación correcta en el caballete o en el campo, coloque los doce clavos 16d. Asegúrese de que todos los 12 clavos queden en el centro del puntal o viga. La instalación para el PFAS con los clavos crea un anclaje para 3.600 libras (1.634 kg) en cumplimiento con la OSHA sólo dentro de 30° del eje longitudinal del anclaje, en línea con las placas del anclaje. Ver la Figura 5B.

Un anclaje para la aplicación de restricción se puede instalar con clavos.

4.4.3.1 Trabajo debajo del anclaje: Si el anclaje se instala en el caballete, el usuario puede cruzar el caballete y trabajar en ambas pendientes. Si se mueve hacia el lado opuesto del caballete, asegúrese de que la cadena del anclaje se mueva por completo y que la conexión del anillo en "O" está en el lado del trabajo del caballete. El usuario debe permanecer dentro del área de trabajo definida por el límite de 30° a cada lado del eje longitudinal del anclaje en ambas inclinaciones.

Si el anclaje se instala en el campo, el usuario debe permanecer dentro del área de trabajo definida por el límite longitudinal de 30°. No cruce sobre el caballete.

4.4.4 Instalar con tirafondos: El anclaje se puede instalar en el caballete o en el campo mediante el uso de tirafondos. Elija una ubicación directamente sobre un puntal o viga y un mínimo de 6 pies (1,8 m) de cualquier borde. Coloque el anclaje. Taladre un agujero piloto de 3/16" en todos los seis agujeros para los tirafondos. Coloque los seis tirafondos de 1/4" x 2-1/2".

Cuando el anclaje se instala en el caballete o el campo como un anclaje de un solo punto con tirafondos, el anclaje es un anclaje para 5.000 libras (2.268 kg) conforme a la OSHA, y se puede cargar de manera perpendicular a las placas del anclaje, como se muestra en la Figura 5.

Las aplicaciones con HLL como se muestran en la Figura 3A se deben instalar con los tirafondos.

NO

- Monte un anclaje directamente en un puntal sin substrato de revestimiento.
- Monte el anclaje en las áreas sin apoyo del techo, tales como los aleros, gabletes y salientes.
- Utilice un anclaje montado ladera abajo en el lado opuesto del caballete. Instale un anclaje separado.
- Utilice el anclaje hasta que el sistema se haya instalado, inspeccionado, y aprobado por completo para su uso por parte de una Persona competente.

NOTA: El requisito de protección contra caídas aprobada durante la instalación de este anclaje se aplica a todos los modelos de anclajes cubiertos en este manual. Consulte el párrafo 4.4 para información adicional sobre la ubicación del anclaje.

NO trabaje por encima del anclaje.

4.5. Conectar el PFAS o sistema de restricción al anclaje del techo: Conecte al anclaje de techo con un PFAS o sistema de restricción aprobado. No conecte un gancho de refuerzo o un mosquetón de apertura grande al anclaje para techo con cadena. Consulte las instrucciones para el usuario proporcionadas por el fabricante del PFAS para obtener más detalles.

Tenga precaución en un techo inclinado normal y evite las caídas con balanceo. Si se instala en el campo, no cruce sobre el caballete del techo.

4.5.1 Conectar al anclaje del techo con HLL: Conecte un sistema aprobado de HLL a los anclajes. Consulte el manual de instrucciones para el usuario proporcionado por el fabricante del PFAS para obtener más detalles. Consulte la Figura 3 para obtener una lista de los números de piezas de HLL aprobadas de FallTech.

4.6 Después de una caída: Cualquier equipo sometido a fuerzas de detención de caídas o que muestren algún daño consecuente con el efecto de un evento de caída debe ser retirado de servicio de forma inmediata.

4.7 Al concluir el trabajo: El anclaje para techo con cadena está diseñado como un anclaje temporal reutilizable, que se puede remover y volver a instalar. Si lo clava, afloje el anclaje. Proceda con prudencia, no doble ni deforme la placa del anclaje. No hale la cadena o el anillo en "O" para desconectar el anclaje. Si está conectado con tirafondos, remuévalos. El usuario debe realizar cualquier reparación estructural o del techo que sea necesaria, la cual resulte de la instalación, uso y desinstalación del anclaje.

5. ESPECIFICACIONES

Consultar la Tabla 1.

6. MANTENIMIENTO Y ALMACENAMIENTO

No hay mantenimiento periódico requerido para este equipo.

6.1 Almacenamiento: Cuando no está instalado, almacene en un área limpia y seca. Evite la luz directa del sol y la exposición a elementos ambientales. No coloque otros equipos u objetos sobre los anclajes. No almacene de una manera que permita que otros equipos doblen, agrieten, contaminen o dañen la unidad.

6.2 Retirar de servicio: Retire el anclaje de servicio si se ha sometido a fuerzas de detención de caída o no pasa la inspección.

7. INSPECCIÓN DEL ANCLAJE CON CADENA

Antes de cada uso, el usuario deberá inspeccionar el anclaje para detectar cualquier daño físico, desgaste, corrosión o piezas faltantes. Si el anclaje ha estado sometido a fuerzas de detención de caídas, debe ser retirado de servicio.

Inspeccionar para ver si tiene:

1. Grietas o fracturas
2. Soldaduras, anillos o montantes rotos
3. Corrosión
4. Placas o anillos doblados
5. Acumulación de contaminantes

Si la inspección de rutina revela daños en el anclaje, discontinúe el uso y retírelo de servicio.

Registre los resultados de la inspección en el Registro de inspección que se encuentra en el Apéndice A, o en otro registro adecuado.

8. ETIQUETAS

Las siguientes etiquetas deben estar presentes y legibles:

FALLTECH® Chain Anchor


Model#: 7493A
Chain Anchor
Materials: Steel and Fiber Reinforced Synthetic
Capacity: 130 - 310 lbs including clothing, tools, etc.
OSHA 1926.502
Date of Mfr: April 2014
Serial #: XXXXXX

WARNING THIS EQUIPMENT IS DESIGNED FOR USE AS A FALL PROTECTION ANCHOR. USER MUST READ AND FOLLOW INSTRUCTIONS SUPPLIED WITH THIS PRODUCT AT TIME OF SHIPMENT. FAILURE TO DO SO MAY RESULT IN SERIOUS INJURY OR DEATH. AVOID CONTACT WITH SHARP EDGES, ABRASIVE SURFACES, CHEMICALS, SALT WATER, ACIDS, AND ALKALINES. MAKE ONLY COMPATIBLE CONNECTIONS. SEE INSTRUCTIONS FOR RESTRICTIONS ON USE WITH COMPONENTS, SUBSYSTEMS, OR SYSTEMS WITH WHICH THIS PRODUCT IS DESIGNED TO BE USED. SEE INSTRUCTIONS FOR INSPECTION PROCEDURES.

INSTALLATION Install the anchor over the roof peak or in the roof field, on top of the sheathing directly over a truss or rafter of a wood roof structure. Support structure must be able to support the loads the anchor will be subjected to in normal use. Drive in the supplied six 1/4" x 2-1/2" lag bolts or twelve 16d nails. See the user instruction manual for complete installation procedures and limitations.

INSPECTION Inspect the anchor before each use. Semi-annual inspection by a competent person is recommended. Do not use if inspection reveals unsafe or defective condition. Remove the anchor from service immediately if it has been subjected to fall arrest forces. See the user instruction manual for complete inspection procedures.

DO NOT REMOVE LABEL.



Attach fall protection subsystem to the O-ring. Attachments must use an ANSI Z359.12-2009 compliant carabiner or snaphook. Do not use a rebar hook or a large throat opening snap hook for connecting. Do not use the anchor on the opposite side of a roof peak if installed on the field. May be used with approved FallTech HLL systems part numbers 777030, 777050, 777075, 777100, 770006, 770001, 770003. Maintain a load direction within 30° of the anchor centerline. See user instruction manual for complete use procedures.

MARK ON DATE CARD																				
A) INITIAL SERVICE																				
B) DATE OF PASSED INSPECTION																				
C) DATE OF PASSED INSPECTION																				
D) REMOVE IT FROM SERVICE																				

CAL01 03/2014

APPENDIX A

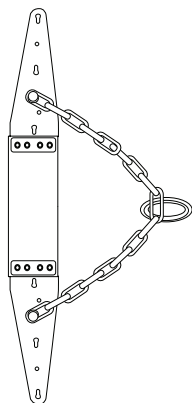
Table 1: Specifications for Temporary Chain Roof Anchor				
Type and Part Number	Dimensions	Minimum Tensile Strength and Material	Maximum User Capacity	Anchor
<p>7493A Chain Roof Anchor</p> <p>Includes: 12pcs 16D Nails</p> <p>6pcs 1/4" x 2-1/2" Lag Screws</p>	<p>Length: 25" Overall</p> <p>Plate: 1/4" x 3" x 9"</p> <p>Chain: 5/16" Grade 80</p> <p>O-Ring: 2-5/16"</p>	<p>Anchor: 5,000 lbs</p> <p>Plate: Low Carbon Steel</p> <p>Chain: Alloy Steel 5,000 lbs</p> <p>O-Ring: Alloy Steel 5,000 lbs</p>	310 lbs.	

Tabla 1: Especificaciones para anclaje para techo con cadena temporal				
Tipo y números de partes	Dimensiones	Resistencia a la tensión mínima y material	Capacidad de usuario máxima	Anclaje
<p>7493A Anclaje para techo con cadena</p> <p>Incluye: 12 clavos 16D</p> <p>6 ti afondos de 1/4" x 2-1/2" (0,6 x 6,4 cm)</p>	<p>Longitud: 25" (63,5 cm) en general</p> <p>Placa: 1/4" x 3" x 9" (0,6 x 7,6 x 22,8 cm)</p> <p>Cadena: 5/16" (0,8 cm) Grado 80</p> <p>Anillo en "O": 2-5/16" (5,8 cm)</p>	<p>Anclaje: 5.000 libras (2.268 kg)</p> <p>Placa: Acero con bajo carbono</p> <p>Cadena: Acero de aleación 5.000 libras (2.268 kg)</p> <p>Anillo en "O": Acero de aleación 5.000 libras (2.268 kg)</p>	310 libras (140 kg)	

TSCHA11.1

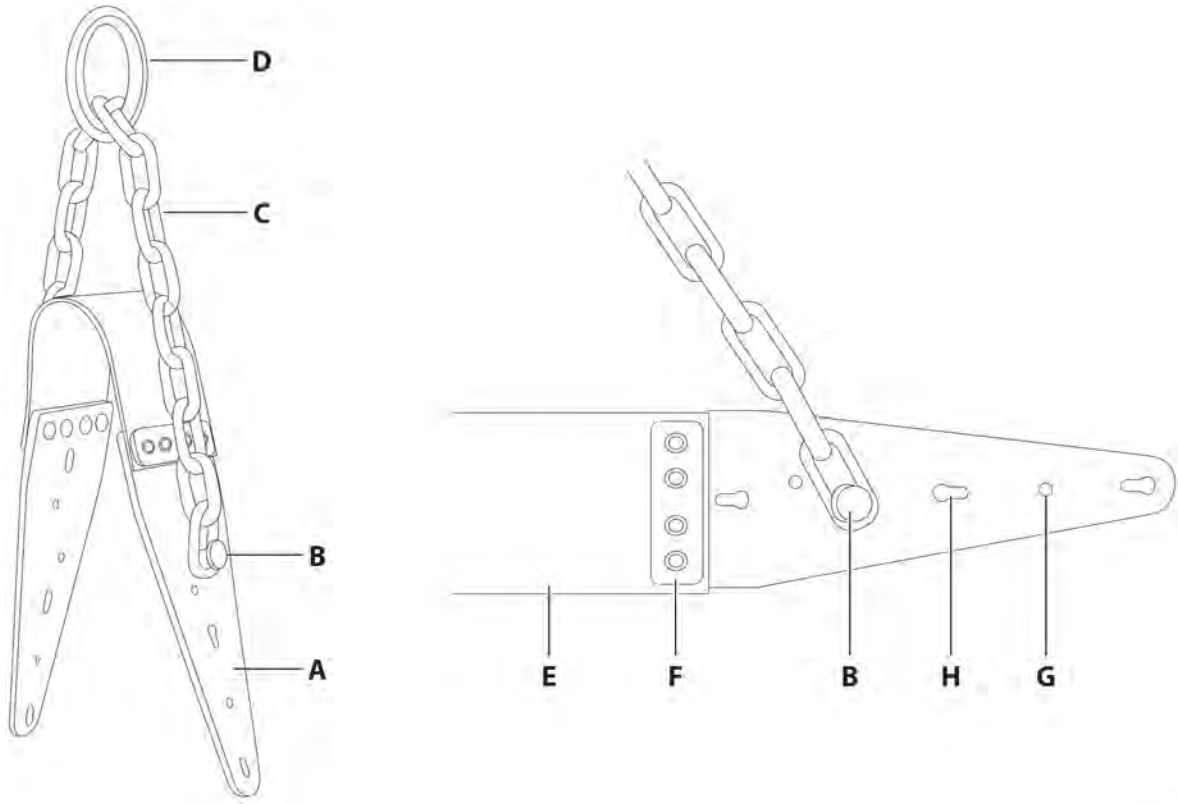


Fig. 1: About Chain Roof Anchor

A	Anchoring Plate
B	Chain Securing Stud
C	Grade 80 Chain
D	Connector O-Ring
E	Flexible Center Plate Joiner
F	Plate Joiner Rivets
G	Nail-Only Installation Holes
H	Lag Screw or Nail Installation Holes

Fig. 1: Acerca del anclaje para techo con cadena

A	Placa de anclaje
B	Montante de fijación de la cadena
C	Cadena de grado 80
D	Conector de Anillo en "O"
E	Unión de placa central flexible
F	Remaches de unión de placa
G	Agujeros de instalación solo para clavos
H	Agujeros de instalación para clavos o tirafondos

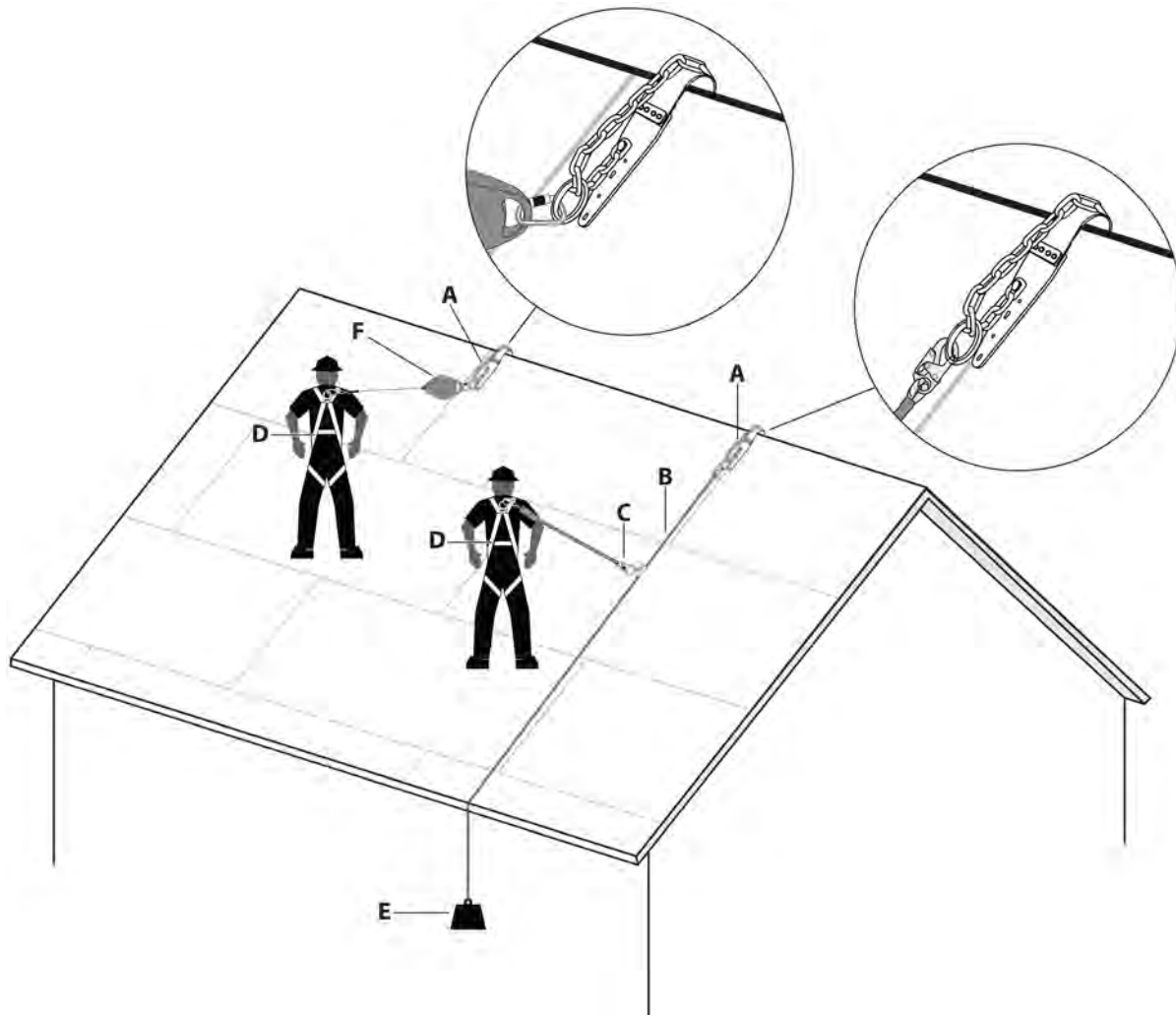


Fig. 2: Chain Roof Anchor Use for Fall Arrest	
A	Chain Roof Anchor
B	Vertical Lifeline (VLL)
C	Fall Arrestor (Grab)
	Shock Absorbing Lanyard (SAL)
D	Full Body Harness (FBH)
E	Minimum 5 lb. Counterweight
F	Self-Retracting Device (SRD)

Fig. 2: Uso del anclaje para techo con cadena para la detención de caídas	
A	Anclaje para techo con cadena
B	Cuerda de salvamento vertical (VLL)
C	Detenedor de caídas (Agarre)
	Cuerda de salvamento con amortiguación (SAL)
D	Arnés de cuerpo completo (FBH)
E	Contrapeso mínimo de 5 libras (2,3 kg)
F	Dispositivo autorretráctil (SRD)

TSCHA2.1

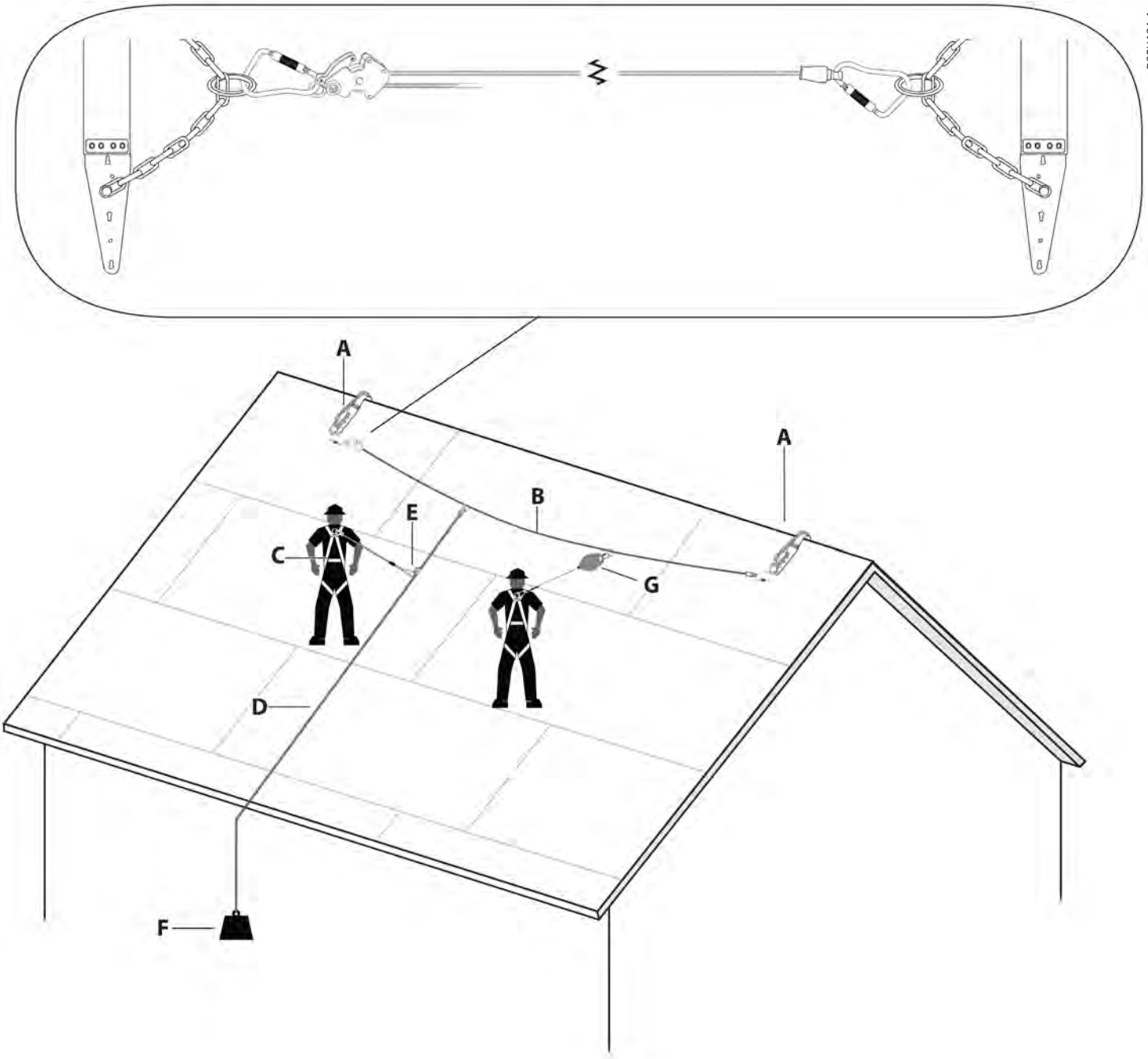


Fig. 3A: Chain Roof Anchor Use for HLL on Roof Ridge

A	Chain Roof Anchor Over Ridge
B	Horizontal Lifeline System (HLL)
C	Full Body Harness (FBH)
D	Vertical Lifeline (VLL)
E	Shock Absorbing Lanyard with Fall Arrestor
F	Minimum 5lb Counterweight
G	Self-Retracting Device (SRD)
Only Lag Screws are allowed for installation of Chain Ancho for Horizontal Lifeline Use	
Approved FallTech HLL System Part #s Only: 770001, 770003, 770006, 777030, 777050, 777075 and 777100	

Fig. 3A: Uso del anclaje para techo con cadena para HLL en caballete del techo

A	Anclaje para techo con cadena sobre el caballete
B	Sistema de cuerda de salvamento horizontal (HLL)
C	Arnés de cuerpo completo (FBH)
D	Cuerda de salvamento vertical (VLL)
E	Cuerda de amortiguación con detenedor de caídas
F	Contrapeso mínimo de 5 libras (2,3 kg)
G	Dispositivo autorretráctil (SRD)
Sólo se permiten los ti afondos para la instalación de anclaje con cadena para usarlo con una cuerda de salvamento horizontal	
Sólo números de partes del sistema de HLL aprobado de FallTech: 770001, 770003, 770006, 777030, 777050, 777075 y 777100	

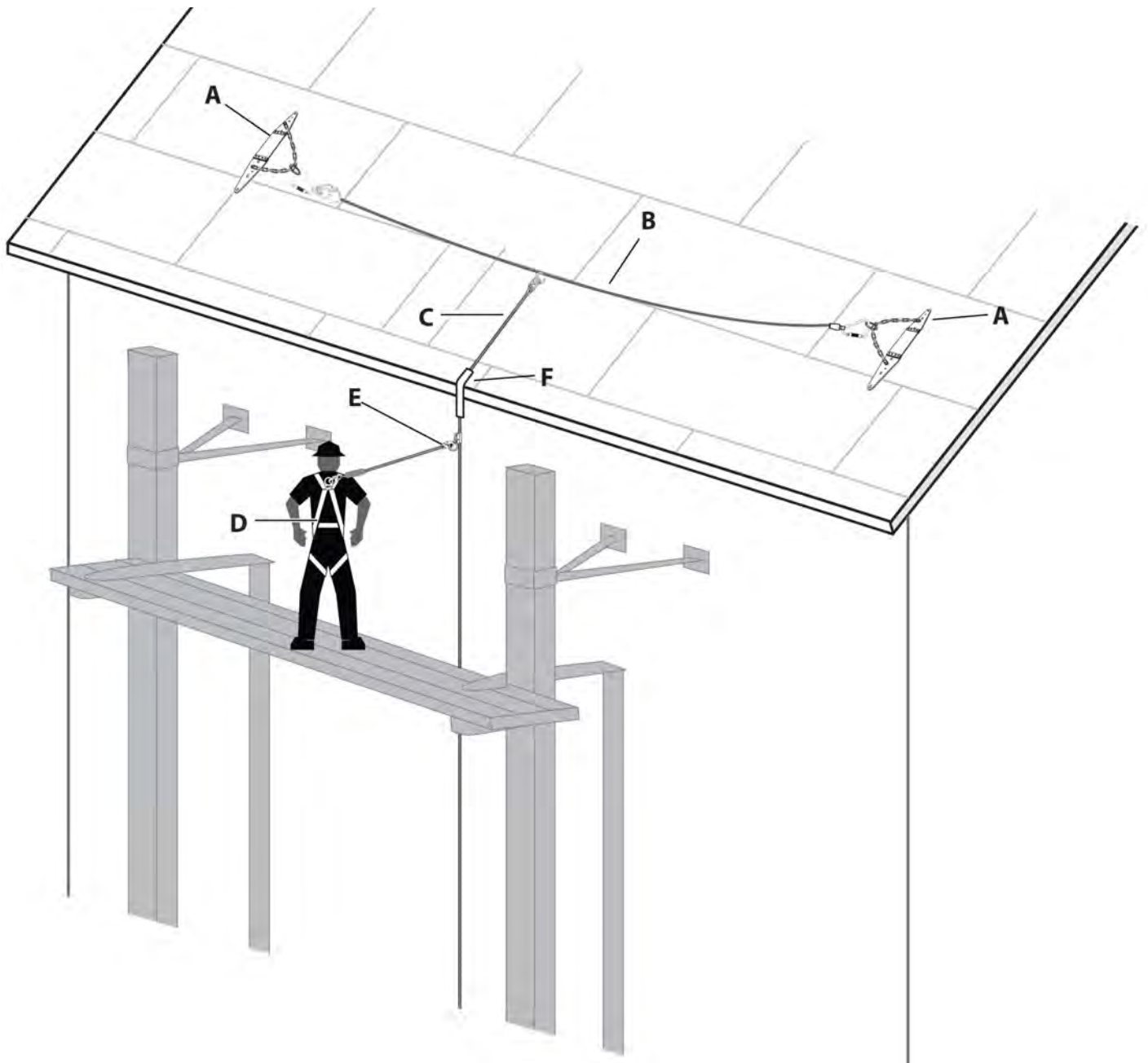


Fig. 3B: Chain Roof Anchor Use for HLL on Field

A	Chain Roof Anchor on Roof Field
B	Horizontal Lifeline System (HLL)
C	Vertical Lifeline (VLL)
D	Full Body Harness (FBH)
E	Shock Absorbing Lanyard with Fall Arrestor
F	Edge Protector

Only Lag Screws are allowed for installation of Chain Ancho for Horizontal Lifeline Use

Approved FallTech HLL System Part #s Only:
770001, 770003, 770006, 777030, 777050, 777075 and 777100

Fig. 3B: Uso del anclaje para techo con cadena para HLL en el campo

A	Anclaje para techo con cadena en el campo del techo
B	Sistema de cuerda de salvamento horizontal (HLL)
C	Cuerda de salvamento vertical (VLL)
D	Arnés de cuerpo completo (FBH)
E	Cuerda de amortiguación con detenedor de caídas
F	Protector de bordes

Sólo se permiten los ti afondos para la instalación de anclaje con cadena para usarlo con una cuerda de salvamento horizontal

Sólo números de partes del sistema de HLL aprobado de FallTech:
770001, 770003, 770006, 777030, 777050, 777075 y 777100

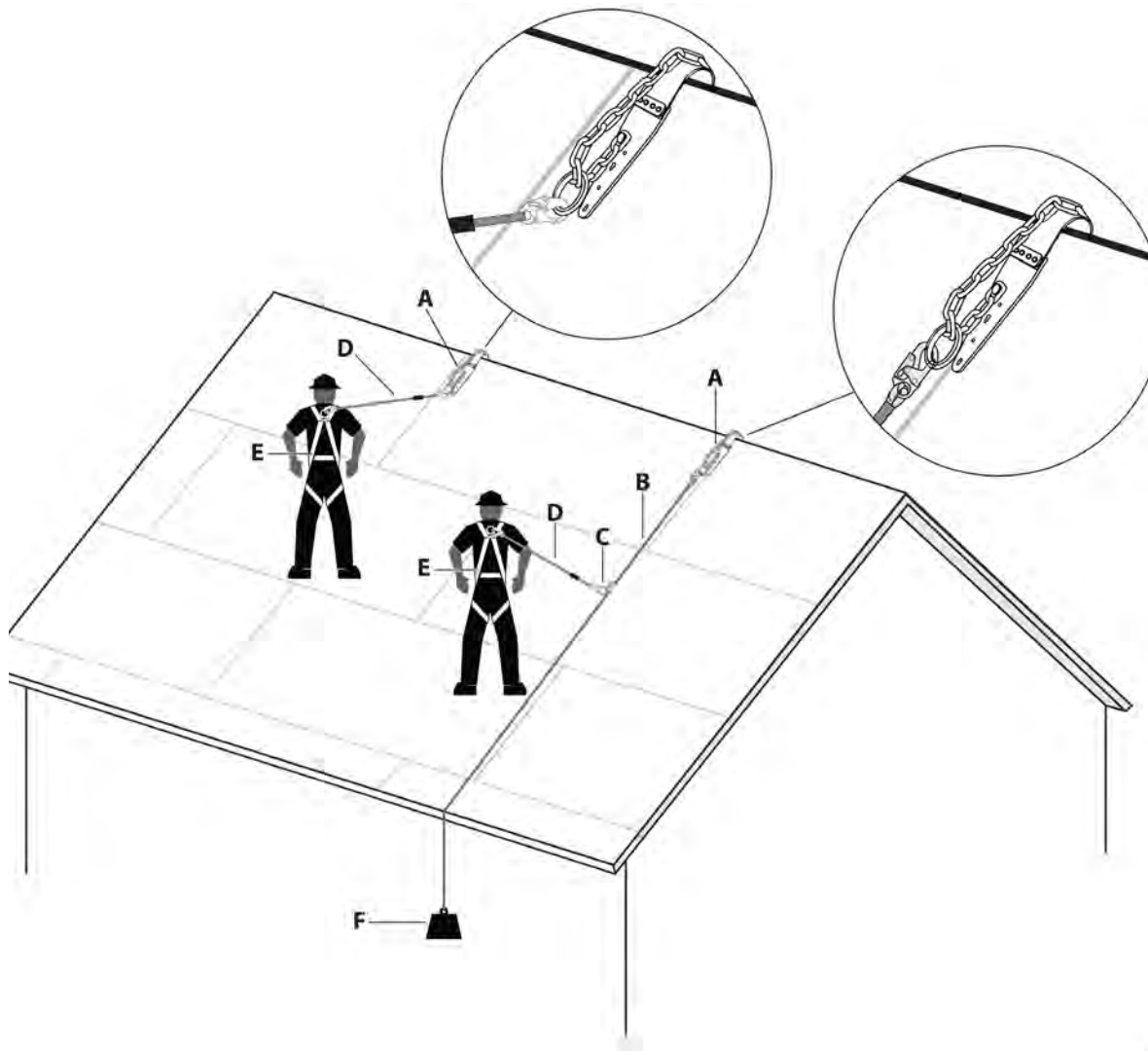


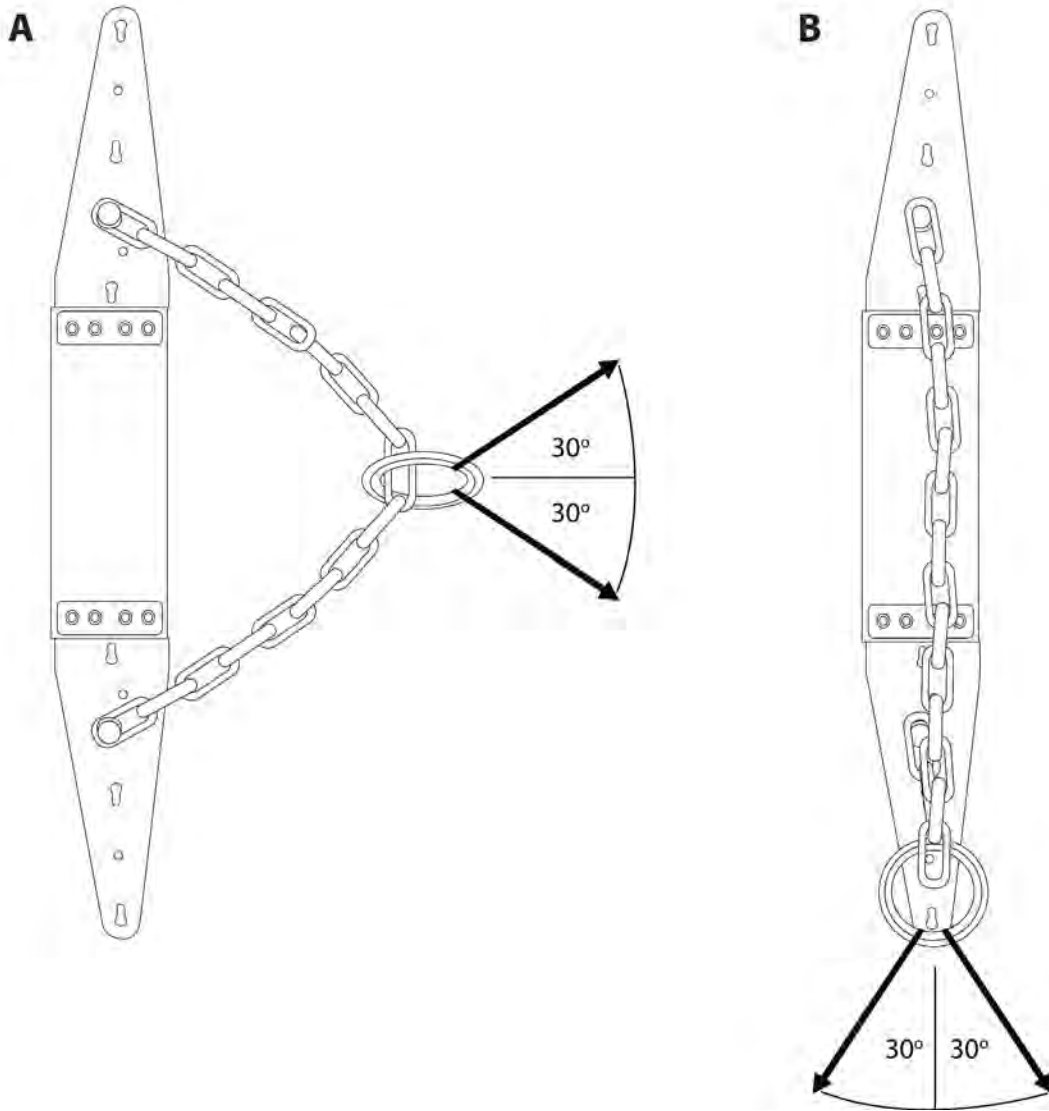
Fig. 4: Chain Roof Anchor Use for Restraint

A	Chain Roof Anchor
B	Vertical Lifeline (VLL)
C	Rope Adjuster (Grab)
D	Restraint Lanyard
E	Full Body Harness (FBH)
F	Minimum 5 lb. Counterweight

Fig. 4: Uso del anclaje para techo con cadena para restricción

A	Anclaje para techo con cadena
B	Cuerda de salvamento vertical (VLL)
C	Ajustador de cuerda (Agarre)
D	Cuerda de restricción
E	Arnés de cuerpo completo (FBH)
F	Contrapeso mínimo de 5 libras (2,3 kg)

TSCHAA.1



FSCHAS.1

Fig. 5: Chain Roof Anchor Load Direction	
A	Perpendicular to Anchor Plates
B	Inline with Anchor Plates
Perpendicular load direction of use with lag screws only	

Fig. 5: Dirección de la carga del anclaje para techo con cadena	
A	Perpendicular a las placas del anclaje
B	En línea con las placas del anclaje
Perpendicular a la dirección de la carga para usar solo con tirafondos	

TSCHAS.1

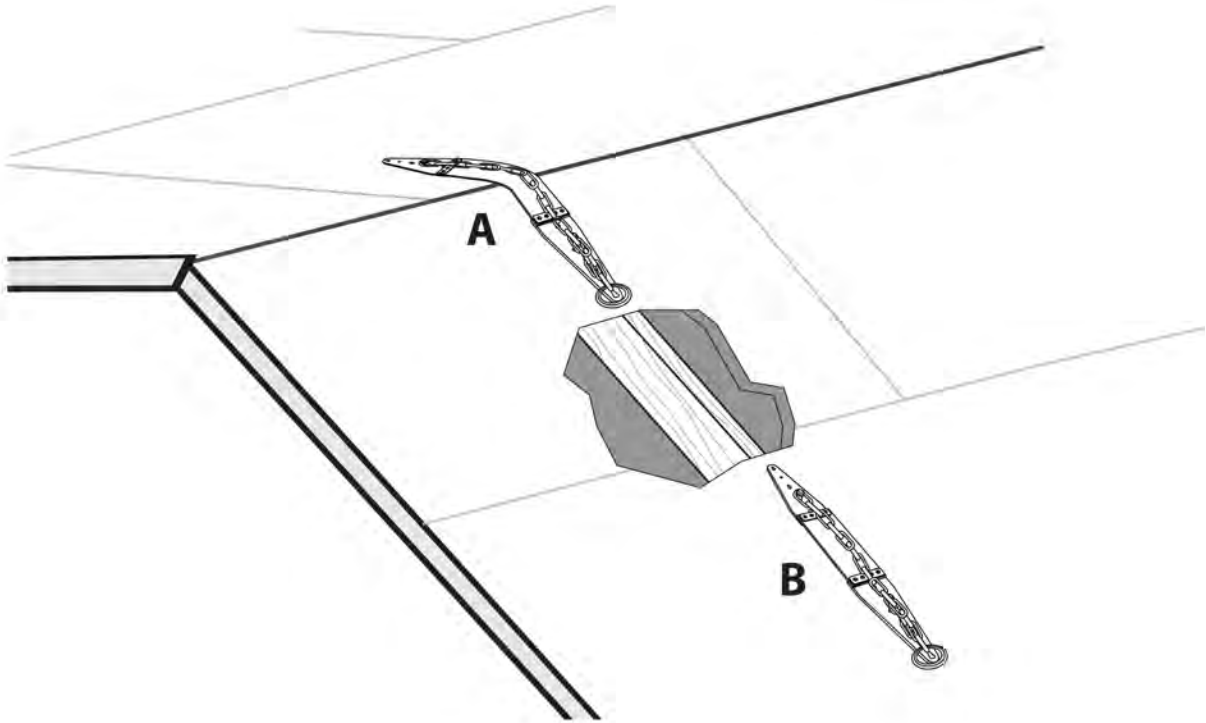


Fig. 6: Installation of Chain Roof Anchor	
A	Ridge Installation- Through Sheathing Into Truss
B	Field Installation- Through Sheathing Into Truss
Nails or Lag Screws for Single-User Installation Only Lag Screws for HLL Installation	

Fig. 6: Instalación del anclaje para techo con cadena	
A	Instalación en caballete- a través del revestimiento en el puntal
B	Instalación en campo- a través del revestimiento en el puntal
Clavos o tornillos para instalación para un solo usuario; Sólo los tornillos para la instalación de HLL	

DSC4A6.1

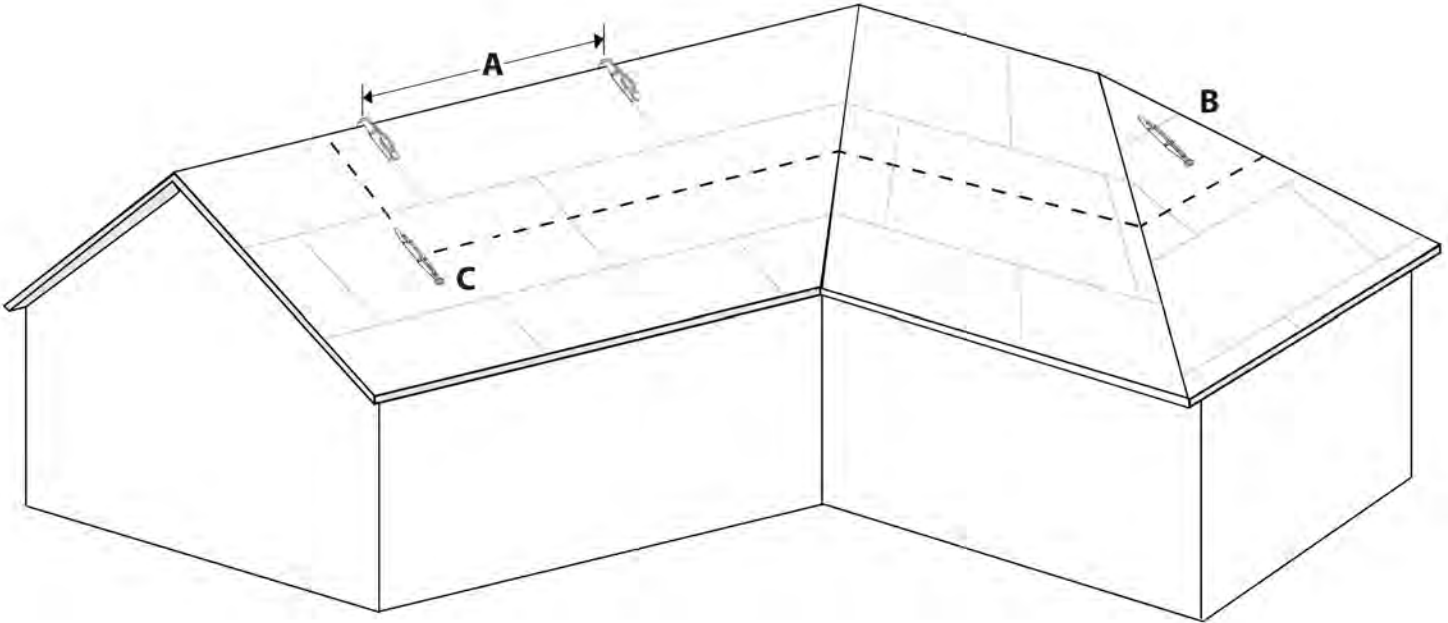


Fig. 7: Typical Site Plan for Chain Roof Anchors		
A	Roof Ridge	Maximum 8' spacing between Chain Roof Anchors installed on Roof Ridges
B	Hip Face	Minimum one (1) Chain Roof Anchor on each Hip Face
C	Roof Edge	Minimum Installation 6' from all exposed Roof Edges

Fig. 7: Plan de sitio típico para los anclajes para techo con cadena		
A	Caballote del techo	Separación máxima de 8' (2,4 m) entre los anclajes para techo con cadena instalados en los caballetes del techo
B	Frente de cumbrera	Mínimo de un (1) anclaje para techo con cadena en cada frente de cumbrera
C	Borde del techo	Instalación mínima de 6 pies (1,8 m) de todos los bordes expuestos del techo

TSCH47.1

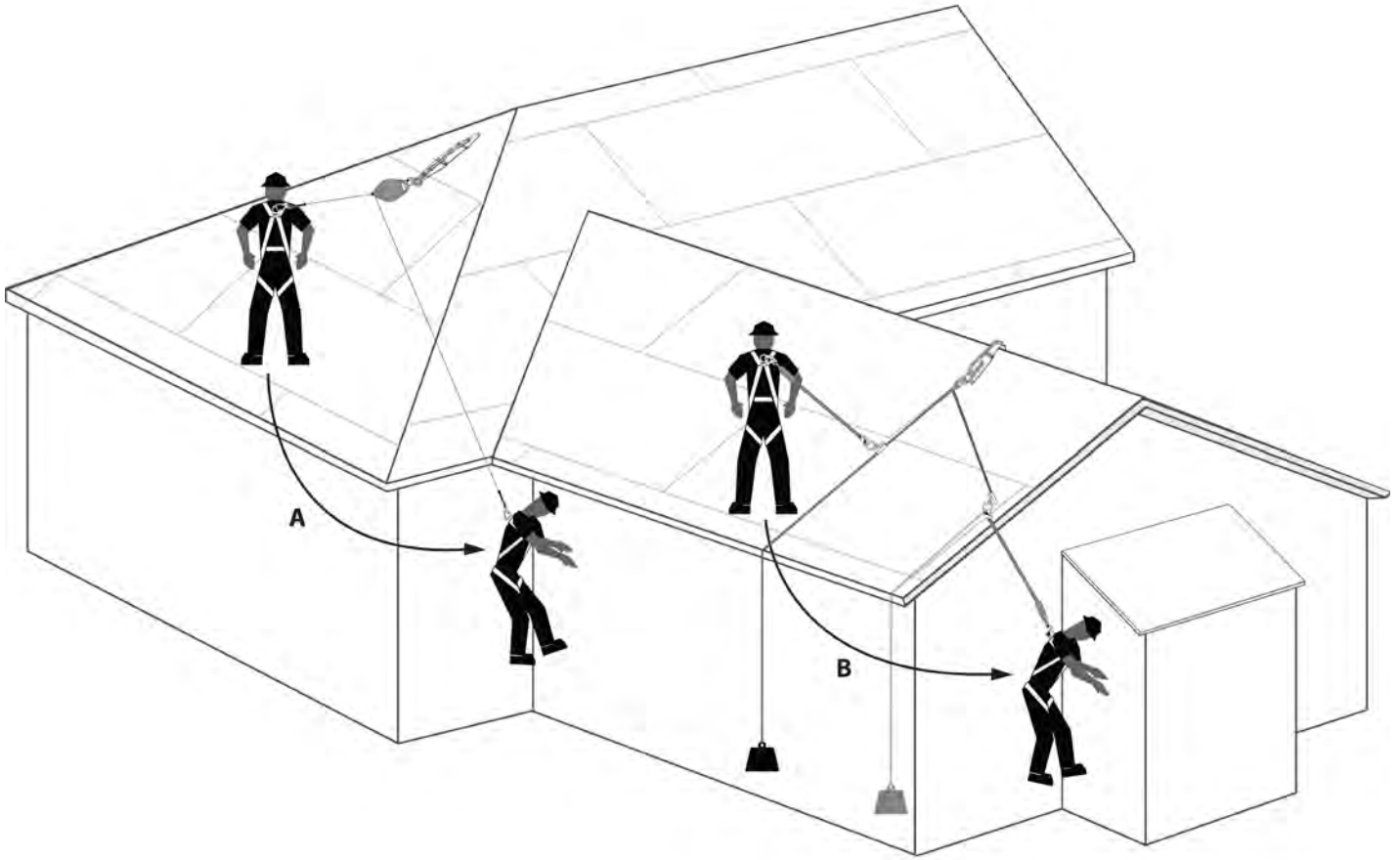


Fig. 8: Swing Fall from Roofs	
A	From a Hip Roof into an adjoining wall
B	From a Gable Roof into a lower level obstruction

Fig. 8: Caída con balanceo desde el techo	
A	Desde un techo con cumbrera a una pared adyacente
B	Desde un techo a dos aguas a una obstrucción en un nivel inferior

TSCHA8.1

APPENDIX B

Fig. 1 - Minimum Clear Fall Requirement: 6 ft Shock Absorbing Lanyard Measured from Overhead Anchorage Connector		
A	6	Length of Shock Absorbing Lanyard Original working length before a fall event occurs/before activation of energy absorber
B	4	Elongation/Deceleration Distance Maximum allowable amount of elongation that may payout from the energy absorber upon activation during a fall event
C	1	Harness Stretch and Dorsal D-Ring Shift Combined amount of harness webbing elongation and dorsal back D-ring up-shift during a fall event
D	5	Height of Dorsal D-ring Typical average height of the dorsal D-Ring on a user's full body harness measured from the walking/working surface up
E	1½	Safety Factor Added length to account for other factors such as an improperly adjusted harness, actual worker height or worker weight
F	17½	Total Minimum Clear Fall Distance Required

1. Overhead Anchorage 2. Walking/Working Surface 3. Nearest Lower Level or Obstruction

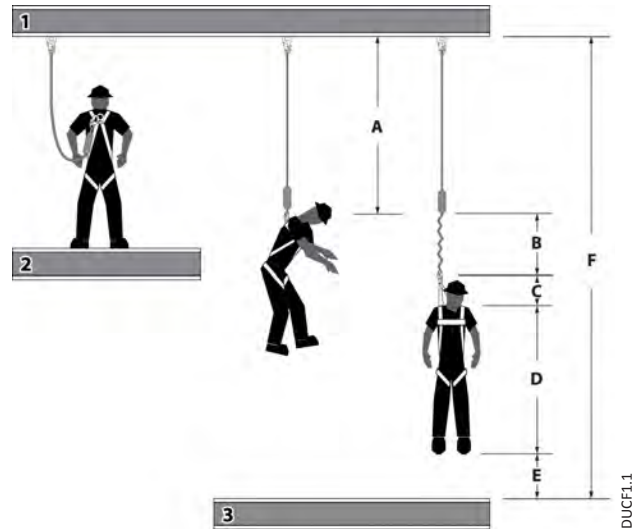


Fig. 1 - Requerimiento mínimo de claridad: línea de vida con amortiguación de impactos de 6 pies Medida desde el conector de anclaje superior		
A	6 pies (1,8 m)	Longitud de la línea de vida con amortiguación de impactos Longitud de trabajo original antes de ocurrir un evento de caída/antes de la activación del amortiguador de impactos
B	4 pies (1,2 m)	Distancia de elongación/desaceleración Cantidad máxima permitida de elongación que se puede emplear del amortiguador de energía al activarse durante un evento de caída
C	1 pie (0,3 m)	Cambio del anillo en "D" dorsal y tramo del arnés Cantidad combinada de la elongación de la red del arnés y el cambio del anillo en "D" dorsal durante un evento de caída completa
D	5 pies (1,5 m)	Altura del anillo en "D" dorsal Altura típica promedio del anillo en "D" dorsal en el arnés de cuerpo completo de un usuario, medida desde la superficie para caminar/trabajar hacia arriba
E	1½ pies (0,5 m)	Factor de seguridad Longitud agregada para contar otros factores tales como un ajuste inapropiado del arnés, la altura real del trabajador o el peso del trabajador
F	17½ pies (5,3 m)	Distancia mínima total de caída despejada requerida

1. Anclaje superior 2. Superficie para caminar/trabajar 3. Nivel inferior más cercano u obstrucción

TUCF1.2

Fig. 2 - Minimum Clear Fall Requirement: 12 ft Free Fall Lanyard Measured from Foot Level Anchorage Connector		
A	6	Length of Shock Absorbing Lanyard Original working length before a fall event occurs/before activation of energy absorber
B	5	Elongation/Deceleration Distance Maximum allowable amount of elongation that may payout from the energy absorber upon activation during a fall event
C	1	Harness Stretch and Dorsal D-Ring Shift Combined amount of harness webbing elongation and dorsal back D-ring up-shift during a fall event
D	5	Height of Dorsal D-ring Typical average height of the dorsal D-Ring on a user's full body harness measured from the walking/working surface up
E	1½	Safety Factor Added length to account for other factors such as an improperly adjusted harness, actual worker height or worker weight
F	18½	Total Minimum Clear Fall Distance Required

1. Walking/Working Surface 2. Nearest Lower Level or Obstruction

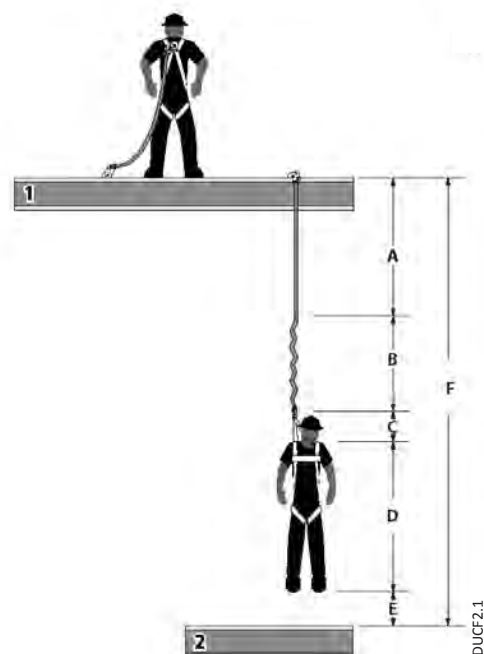


Fig. 2 - Requisito mínimo de caída despejada: línea de vida con amortiguación de impactos para caídas de hasta 12 pies Medida desde el conector de anclaje superior		
A	6 pies (1,8 m)	Longitud de la línea de vida con amortiguación Longitud de trabajo original antes de ocurrir un evento de caída/antes de la activación del amortiguador de energía
B	5 pies (1,5 m)	Distancia de elongación/desaceleración Cantidad máxima permitida de elongación que se puede emplear del amortiguador de energía al activarse durante un evento de caída
C	1 pie (0,3 m)	Cambio del anillo en "D" dorsal y tramo del arnés Cantidad combinada de la elongación de la red del arnés y el cambio del anillo en "D" dorsal durante un evento de caída completa
D	5 pies (1,5 m)	Altura del anillo en "D" dorsal Altura típica promedio del anillo en "D" dorsal en el arnés de cuerpo completo de un usuario, medida desde la superficie para caminar/trabajar hacia arriba
E	1½ pies (0,5 m)	Factor de seguridad Longitud agregada para contar otros factores tales como un ajuste inapropiado del arnés, la altura real del trabajador o el peso del trabajador
F	18½ pies (5,6 m)	Distancia mínima total de caída despejada requerida

1. Superficie para caminar/trabajar 2. Nivel inferior más cercano u obstrucción

TUCF2.2

Fig. 3 - Minimum Clear Fall Requirement: ANSI Class A Self-Retracting Device		
A	2	Activation/Deceleration Distance Maximum allowable length of cable or web that may payout from the SRD once deceleration of the user has begun and after a fall event occurs
B	1	Harness Stretch and Dorsal D-Ring Shift Combined amount of harness webbing elongation and dorsal D-ring up-shift during entire fall event
C	1½	Safety Factor Added length to account for other factors such as an improperly adjusted harness, actual worker height or worker weight
D	4½	Total Minimum Clear Fall Distance Required

1. Overhead Anchorage 2. Walking/Working Surface 3. Nearest Lower Level or Obstruction

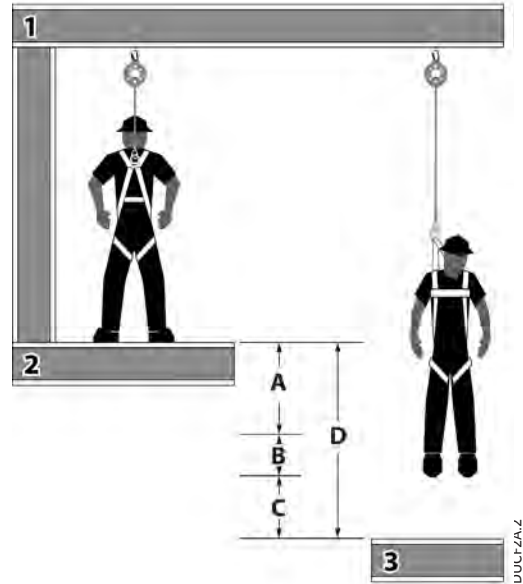


Fig. 3 - Requisito mínimo de caída despejada: Dispositivo auto-retráctil Tipo A de ANSI		
A	2 pies (0,6 m)	Distancia de activación/desaceleración Distancia máxima permitida del cable o red que puede emplearse desde el SRD una vez que la desaceleración del usuario ha comenzado y después de que ocurra un evento de caída
B	1 pie (0,3 m)	Cambio del anillo en "D" dorsal y tramo del arnés Cantidad combinada de la elongación de la red del arnés y el cambio del anillo en "D" dorsal durante un evento de caída completa
C	1½ pies (0,5 m)	Factor de seguridad Longitud agregada para contar otros factores tales como un ajuste inapropiado del arnés, la altura real del trabajador o el peso del trabajador
D	4½ pies (1,4 m)	Distancia mínima total de caída despejada requerida

1. Anclaje superior 2. Superficie para caminar/trabajar 3. Nivel inferior más cercano u obstrucción

TUCFZA.2

DUCFZA.2

Fig. 4 - Minimum Clear Fall Requirement: ANSI Class B Self-Retracting Device		
A	4½	Activation/Deceleration Distance Maximum allowable length of cable or web that may payout from the SRD once deceleration of the user has begun and after a fall event occurs
B	1	Harness Stretch and Dorsal D-Ring Shift Combined amount of harness webbing elongation and dorsal D-ring up-shift during entire fall event
C	1½	Safety Factor Added length to account for other factors such as an improperly adjusted harness, actual worker height or worker weight
D	7	Total Minimum Clear Fall Distance Required

1. Overhead Anchorage 2. Walking/Working Surface 3. Nearest Lower Level or Obstruction

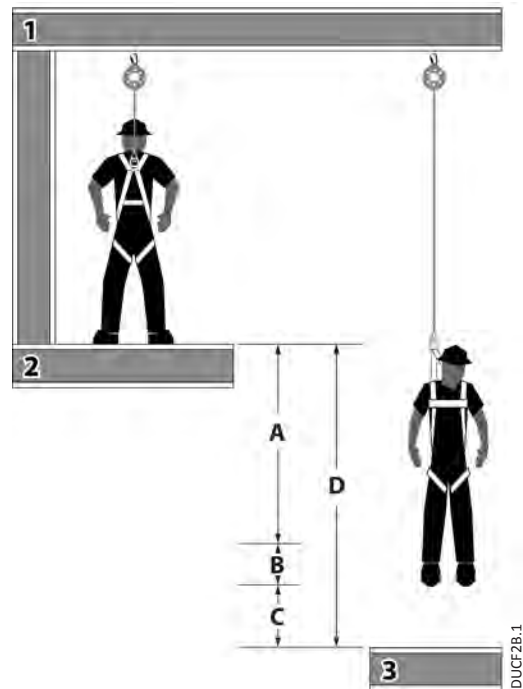


Fig. 4 - Requisito mínimo de caída despejada: Dispositivo auto-retráctil Tipo B de ANSI		
A	4½ pies (1,4 m)	Distancia de activación/desaceleración Distancia máxima permitida del cable o red que puede emplearse desde el SRD una vez que la desaceleración del usuario ha comenzado y después de que ocurra un evento de caída
B	1 pie (0,3 m)	Cambio del anillo en "D" dorsal y tramo del arnés Cantidad combinada de la elongación de la red del arnés y el cambio del anillo en "D" dorsal durante un evento de caída completa
C	1½ pies (0,5 m)	Factor de seguridad Longitud agregada para contar otros factores tales como un ajuste inapropiado del arnés, la altura real del trabajador o el peso del trabajador
D	7 pies (2,1 m)	Distancia mínima total de caída despejada requerida

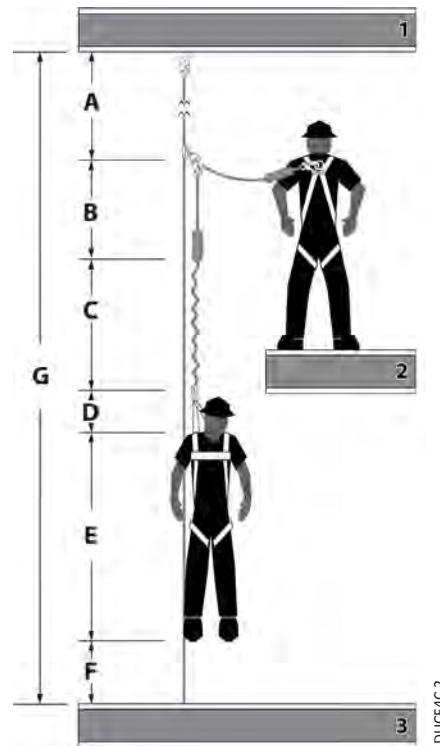
1. Anclaje superior 2. Superficie para caminar/trabajar 3. Nivel inferior más cercano u obstrucción

TUCFZB.1

DUCFZB.1

Fig. 5 - Managing Stretch		
Minimum Clear Fall Requirement: Vertical Lifeline System		
*A	Stretch	Stretch of Vertical Lifeline Stretch = length of VLL from Anchorage Connector to Rope Grab position on VLL multiplied by 10%
B	3	Length of Shock Absorbing Lanyard Original working length before a fall event occurs/before activation of energy absorber
C	4	Elongation/Deceleration Distance Maximum allowable amount of elongation that may payout from the energy absorber upon activation during a fall event
D	1	Harness Stretch and dorsal D-ring Shift Combined amount of harness webbing elongation and dorsal D-ring up-shift during the fall event
E	5	Height of Dorsal D-ring Average height of the dorsal D-Ring on a user's full body harness measured from the walking/working surface up
F	1½	Safety Factor Added length to account for other factors such as an improperly adjusted harness, actual worker height or worker weight
*G	Add A through F	Total Minimum Clear Fall Distance Required *(must calculate for distance A)

1. Overhead Anchorage 2. Walking/Working Surface 3. Nearest Lower Level or Obstruction



DUCF4C.2

Fig. 5 - Distancia total de caídas		
Requerimiento mínimo de claridad: Sistema de cuerda de salvamento vertical		
*A	Estiramiento	Estiramiento de la cuerda de salvamento vertical Estiramiento = longitud de la VLL desde el conector de anclaje hasta la posición de agarre de la cuerda en VLL multiplicado por 10%
B	3 pies (0,9 m)	Longitud de la cuerda con amortiguación Longitud de trabajo original antes de ocurrir un evento de caída/antes de la activación del amortiguador de energía
C	4 pies (1,2 m)	Distancia de elongación/desaceleración Cantidad máxima permitida de elongación que se puede emplear del amortiguador de energía al activarse durante un evento de caída
D	1 pie (0,3 m)	Cambio del anillo en "D" dorsal y tramo del arnés Cantidad combinada de la elongación de la red del arnés y el cambio del anillo en "D" dorsal durante un evento de caída completa
E	5 pies (1,5 m)	Altura del anillo en "D" dorsal Altura típica promedio del anillo en "D" dorsal en el arnés de cuerpo completo de un usuario, medida desde la superficie para caminar/trabajar hacia arriba
F	1½ pies (0,5 m)	Factor de seguridad Longitud agregada para contar otros factores tales como un ajuste inapropiado del arnés, la altura real del trabajador o el peso del trabajador
*G	Sumar A hasta F	Distancia mínima total de caída despejada requerida *(debe calcular para la distancia A)

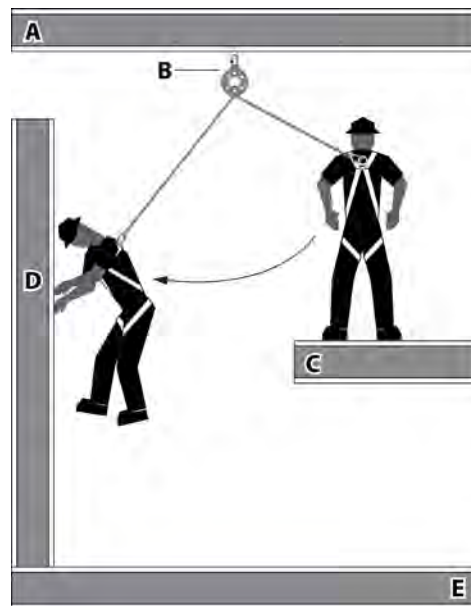
1. Anclaje superior 2. Superficie para caminar/trabajar 3. Nivel inferior más cercano u obstrucción

TUCF4C.1

Fig. 6 - Swing Fall Hazard	
A	Anchorage
B	Self-Retracting Device (SRD)
C	Walking/Working Surface
D	Swing Fall Impact after fall event
E	Next Lower Level or Obstruction

Fig. 6 - Peligro de caída con balanceo	
A	Anclaje
B	Dispositivo autorretráctil (SRD)
C	Superficie para caminar/trabajar
D	Impacto de caída con balanceo después del evento de caída
E	Siguiente nivel inferior u obstrucción

TUSF1.1



DUSF1.2

Common Fall Protection Applications

Fig. 7 - Fall Arrest (PFAS)	
A	Anchorage
B	Anchorage Connector
C	Shock Absorbing Lanyard (SAL)
D	Full Body Harness (FBH)
E	Walking/Working Surface

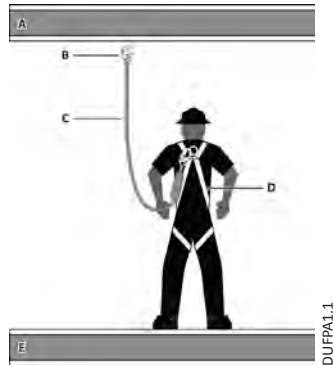


Fig. 7 - Detención de caídas (PFAS)	
A	Anclaje
B	Conector de anclaje
C	Cuerda de salvamento con amortiguación (AL)
D	Arnés de cuerpo completo (FHB)
E	Superficie para caminar/trabajar

TUFFPA1.1

DUFFPA1.1

Fig. 8 - Work Positioning	
A	Positioning Ancho
B	Positioning Lanyard
C	Full Body Harness (FBH) with Side D-Rings
D	Back-up Fall Arrest (PFAS)

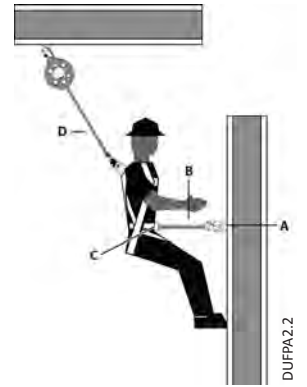
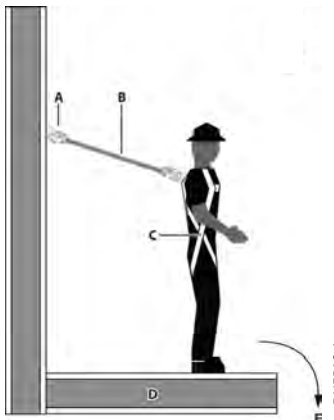


Fig. 8 - Posicionamiento del trabajo	
A	Anclaje de posicionamiento
B	Cordón de posicionamiento
C	Arnés de cuerpo completo (FBH) con anillos en "D" laterales
D	Detención de caídas de respaldo (PFAS)

TUFFPA2.1

DUFFPA2.2

Fig. 9 - Restraint	
A	Restraint Anchor
B	Restraint Lanyard
C	Full Body Harness (FBH)
D	Walking/Working Surface
E	Fall Hazard Area

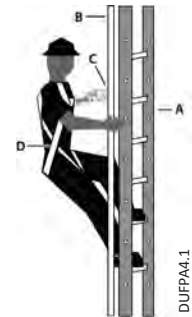


TUFFPA3.1

DUFFPA3.1

Fig. 9 - Restricción	
A	Anclaje de restricción
B	Cordón de restricción
C	Arnés de cuerpo completo (FHB)
D	Superficie para caminar/trabajar
E	Área de peligro de caídas

Fig. 10 - Climbing	
A	Fixed Ladder
B	Ladder Safety System
C	Safety Sleeve/Grab/Trolley
D	Full Body Harness (FBH) with Front D-Ring



TUFFPA4.1

DUFFPA4.1

Fig. 10 - Escalar	
A	Escalera fija
B	Sistema seguridad de escalera
C	Funda de seguridad/agarre/carrito
D	Arnés de cuerpo completo (FBH) con anillo en "D" delantero

Fig. 11 - Suspension/Personnel Riding	
A	Suspension Line
B	Suspension Yoke
C	Boatswain's Chair/Work Seat
D	Full Body Harness (FBH)
E	Back-up Fall Arrest (PFAS)

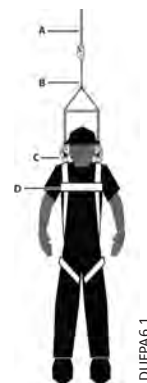


DUFFPAS.1

Fig. 11 - Montaje de personal/suspensión	
A	Línea de suspensión
B	Balancín de suspensión
C	Asiento/silla de trabajo de especialista de maniobra
D	Arnés de cuerpo completo (FHB)
E	Detención de caídas de respaldo (PFAS)

TUFFPAS.1

Fig. 12 - Rescue/Retrieval	
A	Retrieval Line
B	Retrieval Yoke
C	FBH Shoulder D-Rings
D	Full Body Harness (FBH)

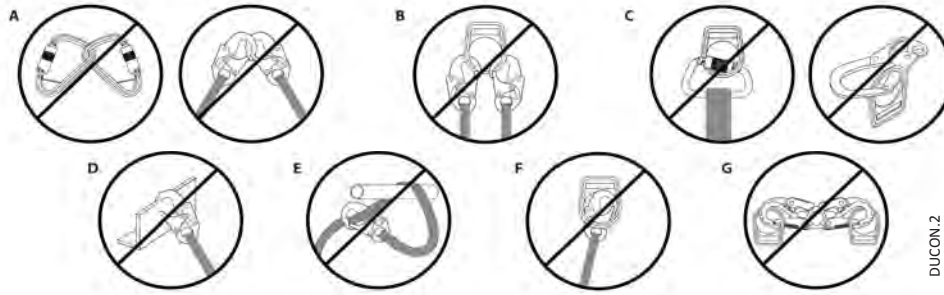


TUFFPA6.1

DUFFPA6.1

Fig. 12 - Rescate/Retirada	
A	Línea de rescate
B	Balancín de rescate
C	Anillos en "D" para los hombros del FBH
D	Arnés de cuerpo completo (FHB)

Incorrect Connections / Acronyms for Fall Protection and Fall Arrest / Inspection Record



DUCON.2

Fig. 13 - Incorrect Connections	
A	Never connect two active components (snap hooks or carabiners) to each other.
B	Never connect two active components (snap hooks or carabiners) to a single D-ring at the same time
C	Never connect in a way that would produce a condition of loading on the gate.
D	Never attach to an object in a manner whereby the gate (of the snap hook or carabiner) would be prevented from fully closing and locking. Always guard against false connections by visually inspecting for closure and lock.
E	Never attach explicitly to a constituent subcomponent (webbing, cable or rope) unless specifically provided for by the manufacturer's instructions or both subcomponents (snap hook or carabiner and webbing, cable or rope).
F	Never attach in a manner where an element of the connector (gate or release lever) may become caught on the anchor thereby producing additional risk of false engagement.
G	Never attach a spreader snap hook to two side/positioning D-rings in a manner whereby the D-rings will engage the gates; the gates on a spreader must always be facing away from the D-rings during work positioning

Fig. 13 - Conexiones incorrectas	
A	Nunca conecte dos componentes activos (ganchos de cierre instantáneo o mosquetones) entre sí.
B	Nunca conecte dos componentes activos (ganchos de cierre instantáneo o mosquetones) a un solo anillo en "D" al mismo tiempo
C	Nunca se debe conectar de una manera que se produzca una condición de carga en la hebilla.
D	Nunca conecte a un objeto de tal manera que la hebilla (del gancho de cierre instantáneo o del mosquetón) se vea impedida de cerrarse y bloquearse por completo. Siempre protéjase de falsas conexiones mediante la inspección visual del cierre y bloqueo.
E	Nunca conecte explícitamente a un subcomponente constituyente (correa, cable o cuerda), a menos que se hayan proporcionado específicamente por las instrucciones del fabricante para los subcomponentes (gancho de cierre instantáneo o mosquetón y correa, cable o cuerda).
F	Nunca conecte de modo que un elemento del conector (hebilla o palanca de liberación) pueda quedar atrapada en el anclaje y por lo tanto producir un riesgo adicional de conexión falsa.
G	Nunca conecte un gancho de cierre instantáneo del esparcidor a dos anillos en "D" laterales/de posicionamiento en una forma que los anillos en "D" se acoplen a la hebilla; las hebillas en un esparcidor deben estar siempre orientadas hacia el lado opuesto de los anillos en "D" durante el posicionamiento del trabajo.

TUCAA.2

Acronyms for Fall Protection and Fall Arrest; ANSI Z359.0-2012			
ACTD	Acti on Distance	HLL	Horizontal Lifeline
AD	Arrest Distance	MAF	Maximum Arrest Force
CSS	Connecting Su ystem	mm	Millimeter
DD	Deceleration Di stance	PFAS	Personal Fall Arrest System
DDV	Deceleration D vice	PPE	Personal Protective Equipment
FACSS	Fall Arrestor Connecting Su ystem	SRD	Self-retracting D vice
FAS	Fall Arrest System	TFD	Total Fall Distance
FBH	Full Body Harness	VLL	Vertical Lifeline
FF	Free Fall	VLLSS	Vertical Lifeline Subsystem
FFD	Free Fall Distance	WPS	Work Positioning ystem
Other Acronyms for Fall Protection and Fall Arrest			
RGLS	Rope Grab Lanyard Set	ANSI	American National Standards Institute
SAL	Shock Absorbing Lanyard	OSHA	Occupational Safety and Health Administration
cm	Centimeters	ASTM	American Society for Testing and Materials
kN	kilo-Newton	lbs	pounds (weight)
RPA	Rebar Positioning Assembl	TPA	Tower Positioning Assembl

Siglas para la protección y detención de caídas; ANSI Z359.0-2012			
ACTD	Distancia de acti on	HLL	Cuerda de salvamento horizontal
AD	Distancia de detención	MAF	Fuerza de detención máxima
CSS	Subsistema de conexión	mm	Milímetro
DD	Distancia de desaceleración	PFAS	Sistema personal de detención de caídas
DDV	Dispositivo de desaceleración	PPE	Personal Protective Equipment
FACSS	Subsistema de conexión de detenedor de caídas	SRD	Self-retracting D vice
FAS	Sistema de detención de caídas	TFD	Total Fall Distance
FBH	Arnés de cuerpo completo	VLL	Vertical Lifeline
FF	Caída libre	VLLSS	Vertical Lifeline Subsystem
FFD	Distancia de caída libre	WPS	Work Positioning ystem
Other Acronyms for Fall Protection and Fall Arrest			
RGLS	Equipo de agarre de cordón/cuerda	ANSI	Instituto Nacional de Normas de los Estados Unidos
SAL	Cuerda de salvamento con amortiguación	OSHA	Administración de Seguridad y Salud Ocupacional
cm	Centímetros	ASTM	Sociedad Americana de Pruebas y Materiales
kN	Kilo Newton	lbs	Libras (peso)
RPA	Ensamblaje de posicionamiento con refuerzo	TPA	Ensamblaje de posicionamiento con torre

TUCAA.2

INSPECTION RECORD PLANILLA de INSPECCIÓN					
Model # Modelo N° : _____		Serial # N° de serie : _____			
Date of Manufacture Fecha de fabricación : _____					
Inspection Date <i>Fecha de inspección</i>	Inspector <i>Inspector</i>	Comments <i>Observaciones</i>	Pass/Fail <i>Pasó/No pasó</i>	Corrective Action Needed <i>Acción correctiva a realizar</i>	Approved By <i>Aprobado por</i>

APPENDIX B
03122014