



FLIR IRW-2C: 2in Round Infrared Inspection Window (Aluminum)

P/N: 19250-100

Copyright

© 2020, FLIR Systems, Inc.

All rights reserved worldwide. Names and marks appearing herein are either registered trademarks or trademarks of FLIR Systems and/or its subsidiaries. All other trademarks, trade names or company names referenced herein are used for identification only and are the property of their respective owners.

Document identity

Publ. No.: 19250-100

Commit: 57383

Language:

Modified: 2019-05-22

Formatted: 2020-06-17

Website

<http://www.flir.com>

Customer support

<http://support.flir.com>

Disclaimer

Specifications subject to change without further notice. Camera models and accessories subject to regional market considerations. License procedures may apply. Products described herein may be subject to US Export Regulations. Please refer to exportquestions@flir.com with any questions.



General description	
This device is a viewport which consist of a crystal "glass" window, mounted in an aluminum frame. The glass is specially formulated to allow transmission of infrared light to allow use of infrared thermal sensing equipment without opening the enclosure. This device is intended for installation in doors or walls of electrical enclosures without compromising the integrity of the enclosure.	
Power system	
Voltage	Any range
Environmental data	
Environment	Indoor/outdoor type 4/12
Operating temperature range	Maximum: 260°C (500°F)
Storage temperature range	Optics, maximum: 1357°C (2474°F)
Physical data	
Size (L x W x H)	25.5 x 73 x 86 mm (1.0 x 2.87 x 3.36 in.)
Viewing aperture diameter	45 mm (1.77 in.)
Material	Optics: CaF2 (Calcium Fluoride Crystal) Body: Anodized aluminum Hardware: steel
Comments to physical data	Required hole diameter, nominal: 60.3 mm (2.375 in.) Greenlee Punch: 76BB Maximum pullout strength: 658 kg (1450 lb.)
Lens	
Waveband	Broadband IR: short-, mid-, and longwave
Visible light spectrum	Yes
Certifications	
Certification	UL, IP67, NEMA Type 4/12, CSA
Shipping information	
Packaging, type	Cardboard box
List of contents	<ul style="list-style-type: none">IR windowCaseMounting instructionAdditional safety screw
Packaging, weight	0.24 kg (0.53 lb.)



FLIR IRW-2C: 2in Round Infrared Inspection Window (Aluminum)

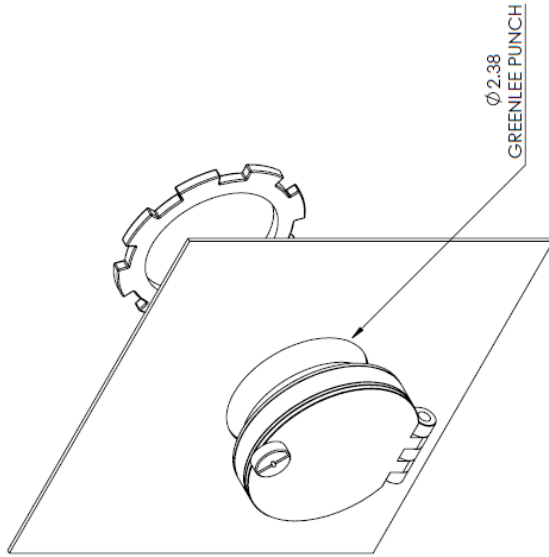
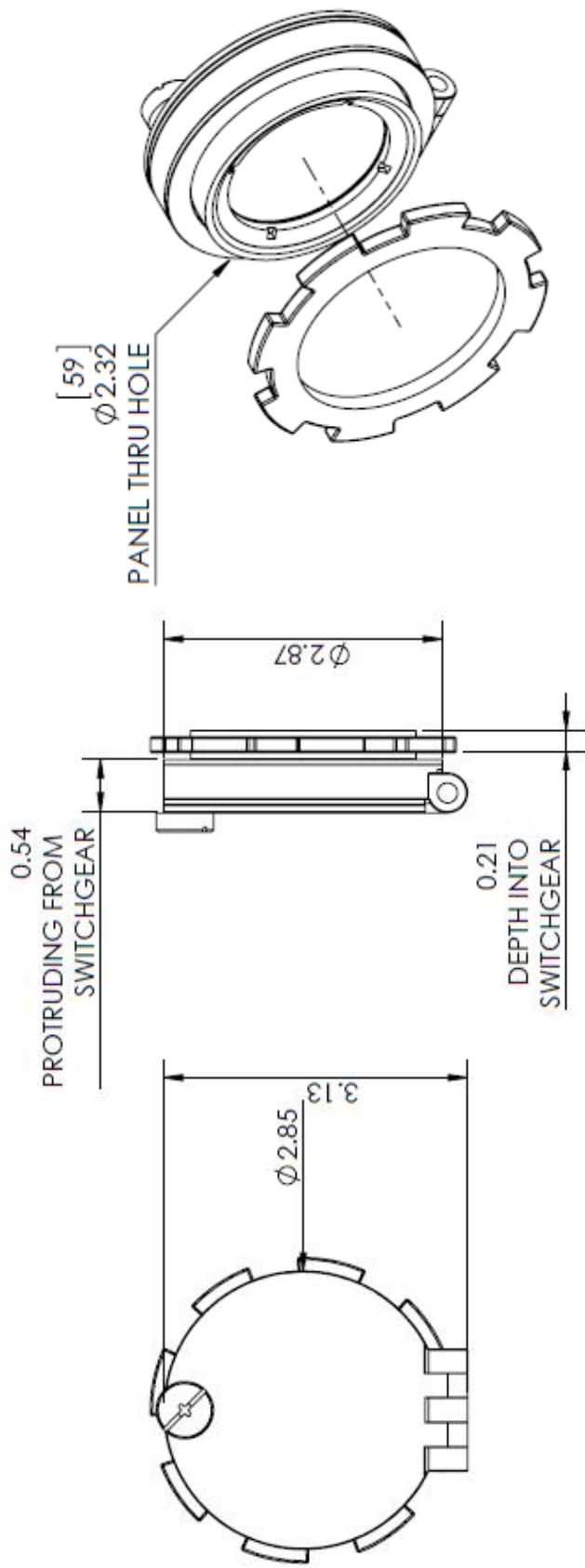
P/N: 19250-100

© 2020, FLIR Systems, Inc.

#19250-100; r. 57383;

Shipping information	
Packaging, size	120 × 115 × 40 mm (4.7 × 4.5 × 1.6 in.)
EAN-13	4743254000728
UPC-12	845188002817
Country of origin	Estonia

© 2015, FLIR Systems, Inc. All rights reserved worldwide. No part of this drawing may be reproduced, stored in a retrieval system, or transmitted in any form, or by any means, electronic, mechanical, photocopying, recording, or otherwise, without written permission from FLIR Systems, Inc. Specifications subject to change without further notice. Dimensional data is based on nominal values. Products may be subject to regional market considerations. License procedures may apply. Product may be subject to US Export Regulations. Please refer to exportquestions@flir.com with any questions. Diversion contrary to US law is prohibited.



Modified Date Tuesday, November 10, 2015	Modified By T&M Engineering
Description IRW-2C, IRW-2S	
Units Inches (Millimeters)	Scale Not to Scale



FLIR COMMERCIAL SYSTEMS, INC.

9 Townsend West, Nashua NH 03063 / Phone: 603.324.7800 / Fax: 603.324.7864

Declaration of Conformity

Extech Model: IRW 2C/2S, 3C/3S, 4C/4S

Description: FLIR IR Windows

Date of Issue: 16-May-19

We, FLIR Commercial Systems, Inc., 9 Townsend West, Nashua, NH 03063 declare the status of the product above with regard to RoHS/REACH SVHC/PROP-65.

RoHS

RoHS Status: Not in Scope

REACH SVHC

REACH Status: Compliant

REACH Directive: 1907/2006 Article 33 (January 15, 2019)

PROP-65

Prop-65 Status: Compliant

Substance List updated November 28, 2018

The product identified above has been tested to the appropriate standards and protocols to guarantee the results as presented.

Attested to by:

A handwritten signature in black ink that reads "Mark Sultzbach". The signature is written in a cursive style and is positioned above a horizontal line.

Mark Sultzbach / QA Manager