

CM-2400 Machine System

Our version of "The Little Engine that Could"

"The Little Machine that Could"

This is a *Cool* chapter in our insulation story proving the value of our **forward thinking** and the **"can-do" attitude** of "I think I can, I think I can"...that keeps our customers chugging along! "We-know-you-can" take on any job with this **compact, robust, powerfully efficient** machine.

Combined with our twin "Scalping Augers" for exceptional fiber conditioning, the small footprint of this machine with our optional **20" (50.8cm) airlock/turbo-shredder** and 12 KW generator offers a portable system that can out-perform the large truck systems.

Check out the production rates of our airlock size options along with recommended blower(s) and you can take on **any** size project...because this is **"The Little Machine that Could"**.



*Machine Shown with
Optional Hopper Extension

Production Rates:

12" (30.5cm) Airlock, Ø3" (Ø7.6cm) Output

<u>Material</u>	<u>Production Rate</u>
Cellulose	3000 lbs/hr. (1361 kg/hr.)
Fiberglass	1200 lbs/hr. (545 kg/hr.)
Mineral Wool	1800 lbs/hr. (817 kg/hr.)

16" (40.6cm) Airlock, Ø3" (Ø7.6cm) Output

<u>Material</u>	<u>Production Rate</u>
Cellulose	3600 lbs/hr. (1633 kg/hr.)
Fiberglass	1400 lbs/hr. (635 kg/hr.)
Mineral Wool	2000 lbs/hr. (907 kg/hr.)

20" (50.8cm) Airlock, Ø4" (Ø10.16cm) Output

<u>Material</u>	<u>Production Rate</u>
Cellulose	4500 lbs/hr. (2041 kg/hr.)
Fiberglass	1800 lbs/hr. (817 kg/hr.)
Mineral Wool	2200 lbs/hr. (998 kg/hr.)

Optimal Performance with 'ALL' Fibers

The OLD was good...but we made it BETTER!



We made the CM2400 a bit longer.
What does that mean for you?



• More SIZEABLE Airlock Options

A bigger airlock means more fiber going downstream! Couple this compact machine with our ***Optional** $\varnothing 12'' \times 20''$ ($\varnothing 30.5\text{cm} \times 50.8\text{cm}$) airlock with **$\varnothing 4''$ ($\varnothing 10.16\text{cm}$) Output Tube** and either a 4 (Centrifugal) Blower Box, or a 5hp or 7.5hp PD Blower and take your capabilities to new levels!

• More POWERFUL Blower Options

You read that right! As stated above, the CM2400 can now accept a 7.5hp PD Blower. More blower options means getting all that fiber you need down those long hose lengths without issues!

With only $4 \frac{1}{2}''$ (11.43cm) more inches of length, this powerful machine bridges the gap between high performance and compact size to fit your vehicle capabilities!



*Machine Shown with
Optional Hopper Extension

Hopper Capacity:

- 4-6 Bags Cellulose
- 1-2 Bag Fiberglass

12" (30.5cm)
Airlock & Shredder
 $\varnothing 3''$ ($\varnothing 7.6\text{cm}$) Output



16" (40.6cm)
Airlock & Shredder
 $\varnothing 3''$ ($\varnothing 7.6\text{cm}$) Output



20" (50.8cm)
Airlock & Shredder
 $\varnothing 4''$ ($\varnothing 10.16\text{cm}$) Output



New Option!

Optimal Performance with 'ALL' Fibers

CM2400S (Standard)

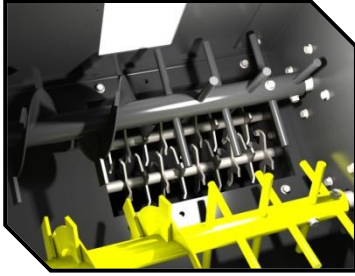


*Machine Shown with Optional Hopper Extension

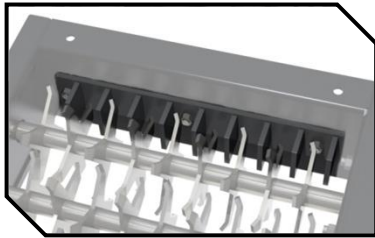
Specifications:

- **Weights:**
 - 2 Blower Box – 879 lbs. (399 kg)
 - 4 Blower Box – 910 lbs. (413 kg)
 - 5hp PD Blower – 1217 lbs. (552 kg)
 - 7.5hp PD Blower – 1257 lbs. (571 kg)
- **Dimensions (LxWxH):**
 - Blower Box – 62 1/8" x 25" x 51" (158cm x 63.5cm x 130cm)
 - PD Blower – 68 1/2" x 25" x 51" (174cm x 63.5cm x 130cm)
 - 74 1/2" – 81 1/2" (189cm – 207cm) Tall with Hopper Extension
- **Hopper Capacity:**
15 ft³ (0.42 m³) – 26 to 29 ft³ (0.74 to 0.82m³) with Hopper Extension
- **Airlock Options (Ø x Long):**
 - Ø12" x 12" with Ø3" Output Tube (Ø30.5cm x 30.5cm with Ø7.6cm Output Tube)
 - Ø12" x 16" with Ø3" Output Tube (Ø30.5cm x 40.6cm with Ø7.6cm Output Tube)
 - Ø12" x 20" with Ø4" Output Tube (Ø30.5cm x 50.8cm with Ø10.16cm Output Tube)
- **Drive Motors:**
 - 1 1/2 hp for Ø12" and Ø16" (Ø30.5cm and Ø40.6cm) Airlocks
 - 2hp for Ø20" (Ø50.8cm) Airlock
- **Blower Options:**
 - **2/4 Blower Box** – 13 amp / 140 cfm, 4.0 psi
 - **5hp PD Blower** – 165 cfm, 6.0 psi (280 m³/hr, 414 mbar)
 - **7.5hp PD Blower** – 205 cfm, 8.0 psi (348 m³/hr, 552 mbar)
- **Power Requirements (US):**
 - **2 Blower Box** – 15/30 amp, 120 volt, double input, 1 Phase
 - **4 Blower Box or PD Blower** – 30 amp, 240 volt, single input, 1 Phase
- **Power Requirements (Export/CE):**
 - **2 Blower Box** – 10/10 amp, 230 volt, double input, 1 Phase
 - **4 Blower Box** – 10/10/10 amp, 230 volt, triple input, 1 Phase
 - **5hp PD Blower** – 10 amp, 380 volt, single input, 1 Phase

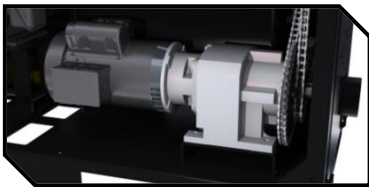
High Speed stainless turbo-shredder maximizes fiber conditioning and production.



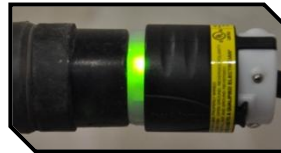
*Optional Shredder Rake Fingers provide increased fiber conditioning!



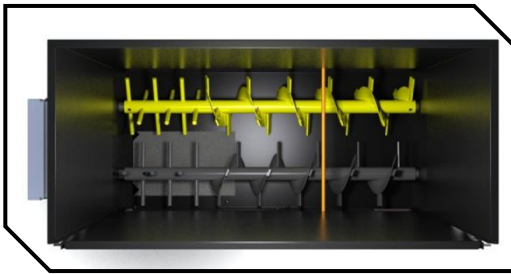
Gearbox/Motor for low cost replacement



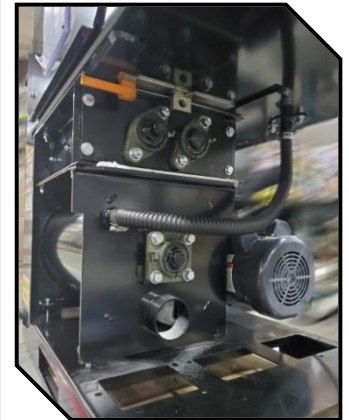
L.E.D. plugs and receptacles for quick electrical diagnostics.



Dual 'scalping' augers enhance feed and eliminate bridging in hopper!



Airlock Pressure Relief Tube for increased production speeds.



Optimal Performance with 'ALL' Fibers

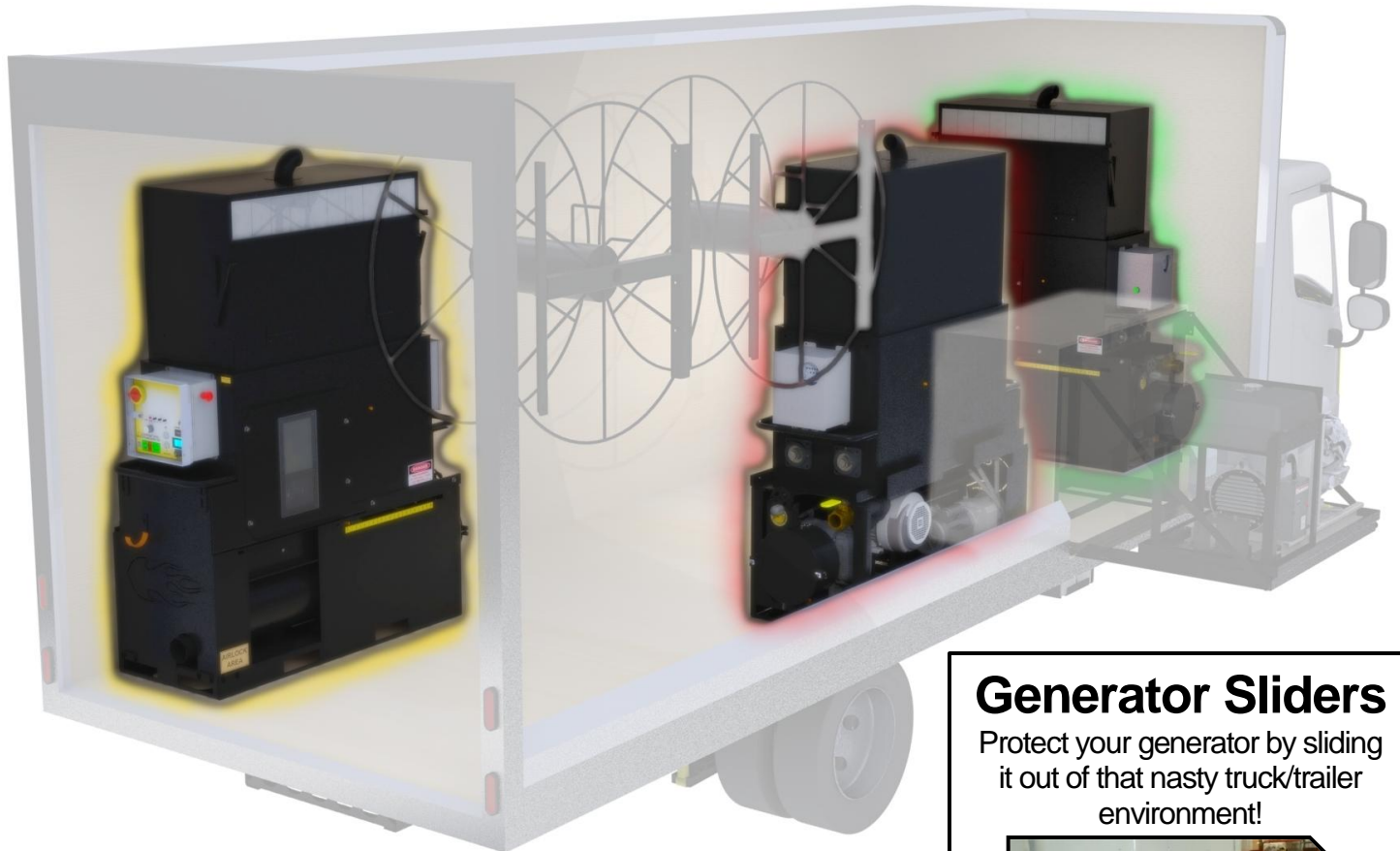
CM2400 + Gas Generator = Best of Both Worlds!

Many contractors choose between gas or electric machines based upon previous experiences and sometimes “old wise tales”. But why not have the best of each scenario:

- **Use grid power** for electric machine **when available**. Why pay for the gas, setup time, and maintenance of a gas generator if you don't need to. An electric machine allows you the flexibility to run off grid power!.
- **Use a generator** when **portability is needed**. The generator can be located away from the machine where potential dust and heat damage, noise, and toxic emissions are a non-issue.

[Always choose a high quality, oversized generator to provide good, uniform power! Consult factory for generator recommendations]

Advances in electric motor technology and the rugged plug & play design of control panels offer a reliable solution to the insulation machine market today. Totally Enclosed Fan Cooled (TEFC) electric motors provide thousands of quiet, trouble-free hours of running in harsh, dirty, hot environments. **Gas engines** by their very nature are susceptible to heat due to fiber build-up around air-cooled engines. By utilizing our Cool Generator Sliders, we are able to get the combustible engine powered generator outside of the truck/trailer box and into a clean, cool air environment!



Generator Sliders

Protect your generator by sliding it out of that nasty truck/trailer environment!



If you're going to have a machine that has the versatility to be powered by electric or gas, that machine should probably have the flexibility to be mounted in the truck/trailer the way that **FITS YOUR NEEDS!**

Whether it's Driver, Passenger, or Front mount!

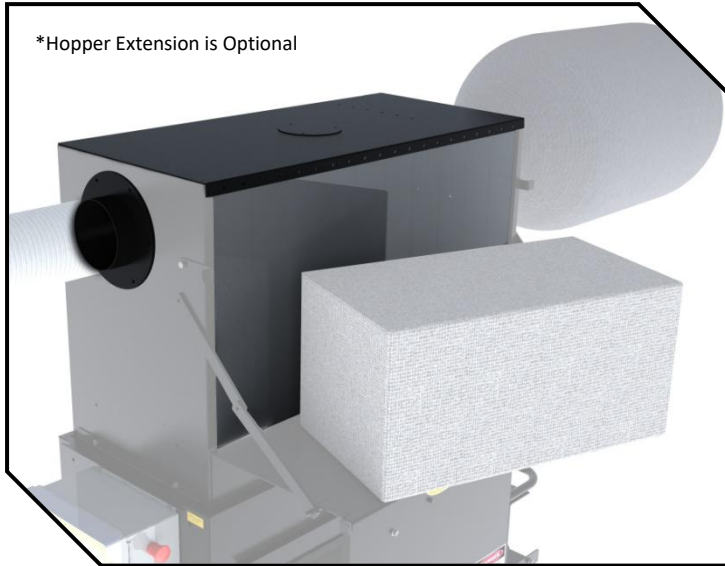
We can work with you to come up with a system that can maximize your insulation potential, or leave you room for your system to grow, or anywhere in-between!

Optimal Performance with 'ALL' Fibers

Vac Hood Conversion Kit!

Have a CM2400 model, a Gas Vac, and a water source?

Then add our new Vac Hood Conversion kit to take the next step and offer wall spray to your company's service portfolio!

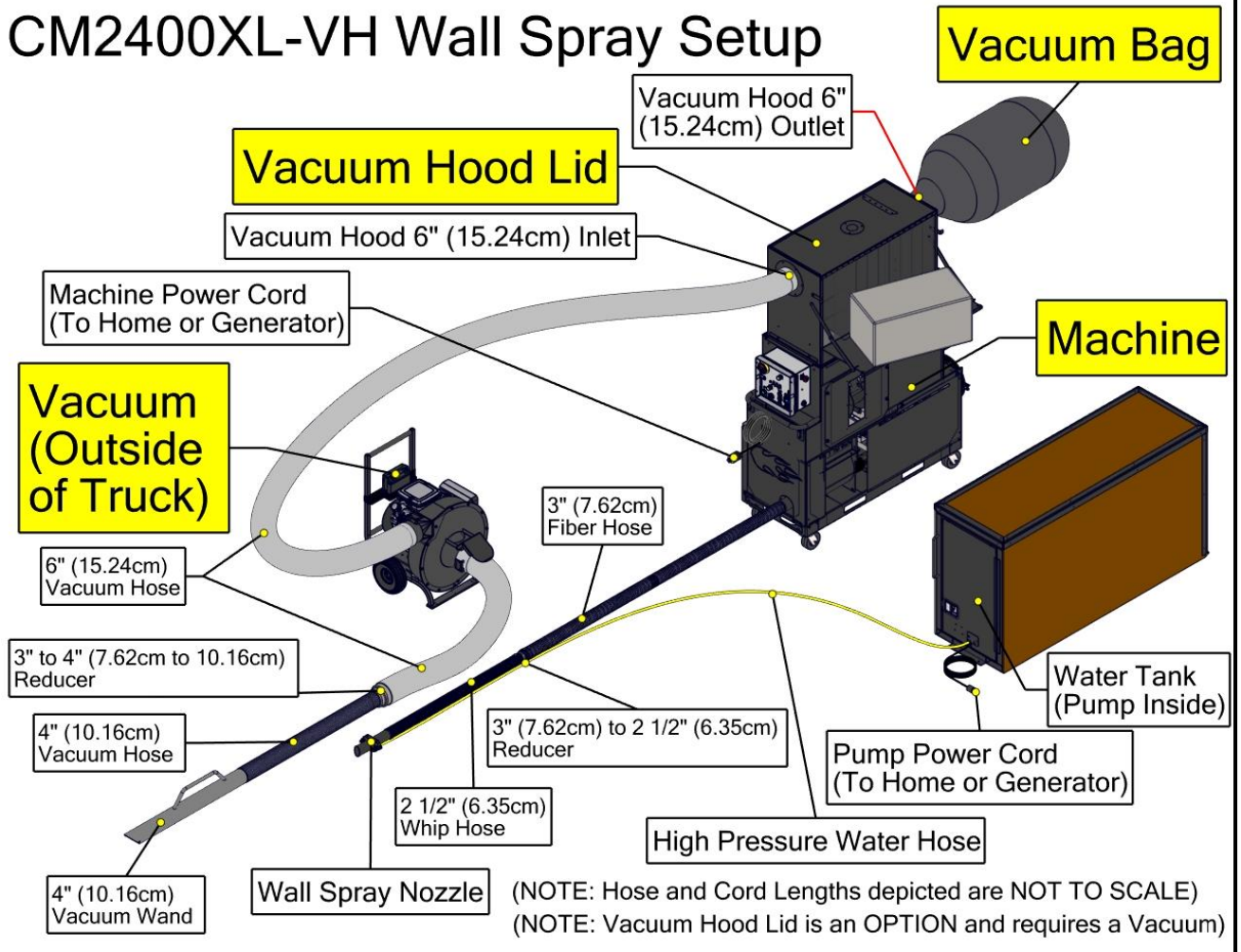


Make your machine wall spray capable with just a few modifications to your CM2400's Hopper Extension*, and did we mention **no additional power requirements!**

This modification, also, will not alter your machines ability to be used as a standard blowing machine.



CM2400XL-VH Wall Spray Setup



Optimal Performance with 'ALL' Fibers

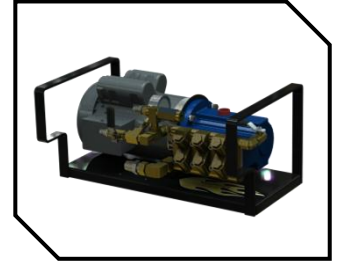
Wireless Remotes Because Time IS Money!

Save setup time, reduce the amount of cords, and become more efficient with our selection of Wireless Remotes!



Wall Spray Equipment!

We have the equipment and knowledge to make sure the technique sticks with you...and your insulation sticks to the wall!



Hose, Clamps, Connectors, and Swivels...Oh My!

We offer a variety of hoses along with **EVERYTHING** you need to get your system off and running at its Coolest!



Keep the dust down!

Fiber getting dustier in the attic?
Want to actually SEE where you're spraying?
Our Internal Wetting System (IWS)
is here to help!



Help your business suck!

Our Cool Insulation Vacuums will make getting that old, dirty insulation out of the attic a breeze!
Whether it's cellulose, fiberglass, rockwool, or even batts...
we have a Cool Vac for it!



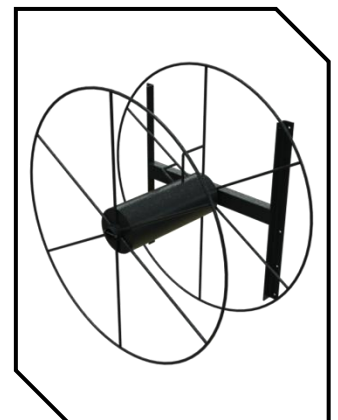
Hose Reels for Hose Protection and Storage!

Protect, manage, and store your hose during transport!

Available capacity sizes:

- Ø34" (Ø86.4cm) x 26" (66cm) wide - (38" [96.5cm] tall for Floor Mount)
 - 150' of 3" hose (45.7m of 7.6cm hose)
- Ø48" (Ø122cm) x 26" (66cm) wide - (52" [132cm] tall for Floor Mount)
 - 250' of 3" hose (76.2m of 7.6cm hose)
 - 150' of 4" hose (45.7m of 10.2cm hose)

*Also available as a Live Reel!



Optimal Performance with 'ALL' Fibers

Accessories

Take Hopper Capacity to Taller Heights!

Our ***Optional** Adjustable Height Hopper Extension with fold out loading tray will bump the capacity of your CM2400 from the standard 15 ft³ (0.42 m³) to between 26 to 29 ft³ (0.74 to 0.82m³)!



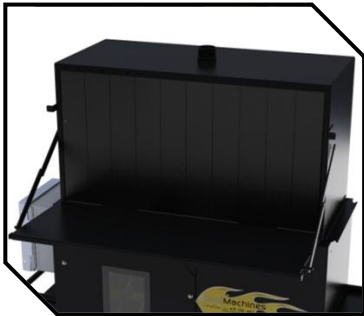
Keep the energy up!

If you need to bring the power with you to the jobsite, we offer a variety of generators to fit your machine/setup's power requirements!



Keep your work area clean!

***Optional** Lid & Dust Curtain will reduce the amount of airborne dust around the machine/loading area!



Rollin' Rollin' Rollin'

***Optional** 5" Caster Wheel Kit can allow for your machine to be maneuvered off and on your trailer to the location of your desire!



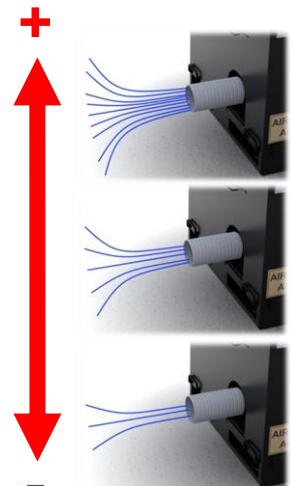
Remote Control your Machine!

Our **Variable Speed Remote (VSR)** with variable SlideGate and Blower Controls! Provides ability to change machine settings, and on/off of machine from the output end of the hose!

[Remotely Open the SlideGate from 0" to 18" in 1/4" increments]



[Remotely Increase/Decrease the Blower Speed from 40% to 100% in 10 steps]



Optimal Performance with 'ALL' Fibers

Blower Comparison

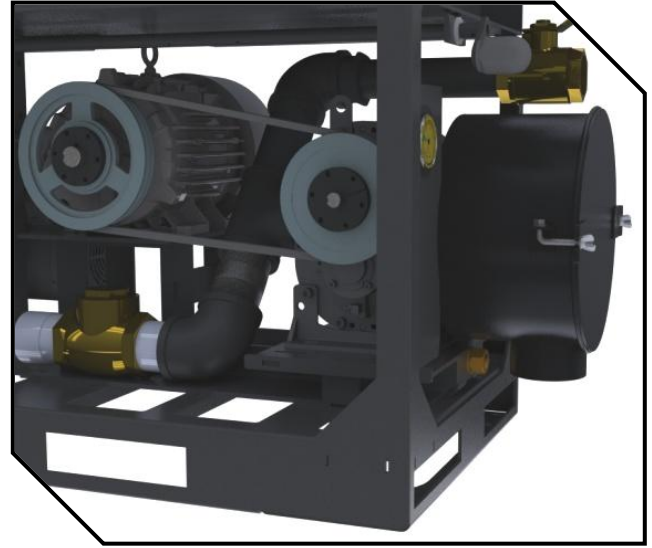
Blower Box (Containing 2 or 4 Centrifugal Blowers)

This option offers an economical choice that will meet most contractors' needs. The service life of the blower is approx. 1200 to 1500 hrs., and can be replaced for a few hundred dollars each.



5 hp or 7.5 hp Positive Displacement (P.D.) Blower

Superior performance and endurance (10+ years) for long range blowing up to 300 ft. (90m). Includes all of the features and benefits of the large hopper capacities with adequate air for blowing at a lower 'price' with lower 'power' requirements.



Quick Cool Comparison



CM1500HP



CM2400



CM3000XL

- 38" x 24" x 57" (97cm x 61cm x 145cm)
- Max Hopper Capacity: 13.5 ft³ (0.38 m³)
- 2 Centrifugal Blowers
- Ø10" x 18" Airlock (Ø25.4cm x 45.7cm)
- 68 ½" x 25" x 51" (174cm x 63.5cm x 130cm)
- Max Hopper Capacity w/ Ext: 29 ft³ (0.82 m³)
- 2/4 Centrifugal OR 5hp/7.5hp PD Blowers
- Ø12" x 12"/16"/20" Airlock (Ø30.5cm x 30.5cm/40.6cm/50.8cm)
- 82" x 28 ¼" x 79" (208cm x 71.8cm x 201cm)
- Max Hopper Capacity w/ Ext: 52 ft³ (1.47 m³)
- 4 Centrifugal OR 5hp/7.5hp PD Blowers
- Ø12" x 20"/24" Airlock (Ø30.5cm x 50.8cm/60.9cm)

Optimal Performance with 'ALL' Fibers

A Cool Comparison: CM-2400



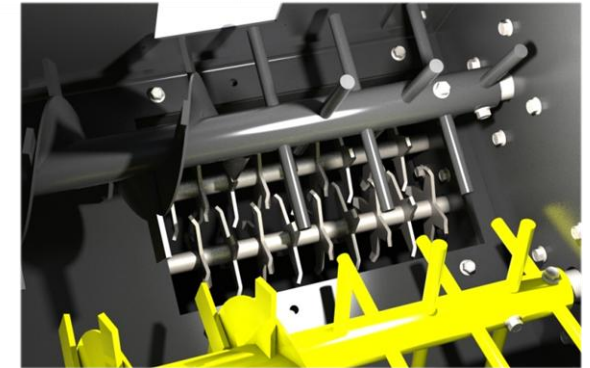
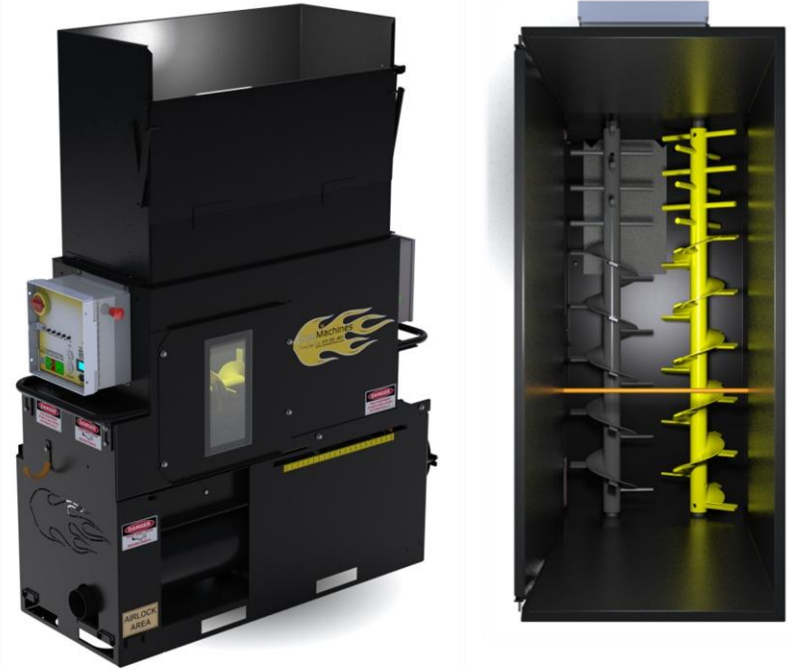
Specifications	CM-2400S ^(2 Blr)	CM-2400S ^(4 Blr)	CM-2400S ^(5hp PD Blr)	CM-2400S ^(7.5hp PD Blr)
Airlock Size Options	Ø12" x 12" Long (Ø30.5 cm x 30.5 cm Long), 3"(7.6 cm) Hose Output Ø12" x 16" Long (Ø30.5 cm x 40.6 cm Long), 3"(7.6 cm) Hose Output	Ø12" x 12" Long (Ø30.5 cm x 30.5 cm Long), 3"(7.6 cm) Hose Output Ø12" x 16" Long (Ø30.5 cm x 40.6 cm Long), 3"(7.6 cm) Hose Output	Ø12" x 12" Long (Ø30.5 cm x 30.5 cm Long), 3"(7.6 cm) Hose Output Ø12" x 16" Long (Ø30.5 cm x 40.6 cm Long), 3"(7.6 cm) Hose Output	Ø12" x 20" Long (Ø30.5 cm x 50.8 cm Long), 4"(10.16 cm) Hose Output
Airlock Pressure	4.0 p.s.i. (276 mbar)	4.0 p.s.i. (276 mbar)	6.0 p.s.i. (414 mbar)	8.0 p.s.i. (552 mbar)
Blower Type	(2) Centrifugal	(4) Centrifugal	(1) 5hp Positive Displacement	(1) 7.5hp Positive Displacement
Blower Volume	140 CFM (238 m ³ /hr)	140 CFM (238 m ³ /hr)	165 CFM (280 m ³ /hr)	205 CFM (348 m ³ /hr)
Hopper Capacity	15 ft. ³ (0.42 m ³)	15 ft. ³ (0.42 m ³)	15 ft. ³ (0.42 m ³)	15 ft. ³ (0.42 m ³)
w/ Extension Option* [^] (MAX)	29 ft. ³ (0.82 m ³)	29 ft. ³ (0.82 m ³)	29 ft. ³ (0.82 m ³)	29 ft. ³ (0.82 m ³)
Weight	879 lbs. (399 kg)	910 lbs. (413 kg)	1217 lbs. (552 kg)	1257 lbs. (571 kg)
LxWxH	Inches: 62 1/8" x 25" x 51" centimeters: 158 x 63.5 x 130	Inches: 62 1/8" x 25" x 51" centimeters: 158 x 63.5 x 130	Inches: 68 1/2" x 25" x 51" centimeters: 174 x 63.5 x 130	Inches: 68 1/2" x 25" x 51" centimeters: 174 x 63.5 x 130
O/A Height w/ Extension* [^]	75"-82" (191cm-208cm)	75"-82" (191cm-208cm)	75"-82" (191cm-208cm)	75"-82" (191cm-208cm)
Loading Height	51" (130cm)	51" (130cm)	51" (130cm)	51" (130cm)
w/ Extension Option* [^]	52"-59" (132cm-150cm)	52"-59" (132cm-150cm)	52"-59" (132cm-150cm)	52"-59" (132cm-150cm)
Power Requirements	15/30 amp Dbl Inputs 120 volt/60 Hz, 1PH	30 amp input 240 volt/60 Hz, 1PH	30 amp input 240 volt/60 Hz, 1PH	30 amp input 240 volt/60 Hz, 1PH
Export (CE)	10/10 amp Dbl Inputs 230 volt/50 Hz, 1PH	10/10/10 amp Trpl Inputs 230 volt/50 Hz, 1PH	10 amp Input 400 volt/50 Hz, 3PH	10 amp Input 400 volt/50 Hz, 3PH
Drive	12" & 16" (30.5cm & 40.6cm) Airlocks	12" & 16" (30.5cm & 40.6cm) Airlocks	12" & 16" (30.5cm & 40.6cm) Airlocks	12" & 16" (30.5cm & 40.6cm) Airlocks
Motor	1 1/2 hp (1.12 kW)	1 1/2 hp (1.12 kW)	2 hp (1.49 kW)	2 hp (1.49 kW)
Generator Size	8 KW	12 KW	12 KW	12 KW
Max Hose Length for Full Production	150 ft (45.72m)	150 ft (45.72m)	150 ft (45.72m)	150 ft (45.72m)
Warranty	2 year (limited)	2 year (limited)	2 year (limited)	2 year (limited)
Production Rates:	Ø12" x 12" (Ø30.5 cm x 30.5 cm)		Ø12" x 16" (Ø30.5 cm x 40.6 cm)	
Cellulose	3000 (1361 kg/hr)		3600 (1633 kg/hr)	
Fiberglass	1200 (545 kg/hr)		1400 (635 kg/hr)	
Mineral Wool	1800 (817 kg/hr)		2000 (907 kg/hr)	
Features:				
Powder Coated Metal	Yes	Yes	Yes	Yes
Check Valve Blower Protection	Yes	Yes	Yes	Yes
Airlock Pressure Relief Tube	Yes	Yes	Yes	Yes
Hourmeter/Voltmeter	Yes	Yes	Yes	Yes
Pressure Gauge	Yes	Yes	Yes	Yes
Re-Lube Bearing	Yes	Yes	Yes	Yes
Modular Control Panel	Yes	Yes	Yes	Yes
Front Panel Reset Overloads	Yes	Yes	Yes	Yes
L.E.D. Plugs/Self Diagnostics	Yes	Yes	Yes	Yes
Heavy Duty Remote Cord	Yes	Yes	Yes	Yes
Scalping Augers	Yes	Yes	Yes	Yes
Turbo Shredder	Yes	Yes	Yes	Yes
Hopper Ext. w/ Loading Tray * [^]	Yes	Yes	Yes	Yes
Wheel Package *	Yes	Yes	Yes	Yes
Lid & Dust Curtain *	Yes	Yes	Yes	Yes
Integrated Booster Connection*	No	No	No	No

(*) Denotes an Optional Accessory
(^) Denotes Standard on CE Machines

Questions? Call us at 419-232-4871

Description of CM-2400 Features:

- **Robust:** a high capacity and high production machine with low power requirements.
- **Powder Coated Metal:** Powder coating provides a high quality, long lasting finish exhibiting professionalism to your customers.
- **Check Valve Blower Protection:** Protects blowers from back-flow of fibers into the blowers causing damage.
- **Hour Meter:** Records total run hours on the agitator motor airlock for maintenance intervals.
- **Voltmeter:** monitoring of correct voltage to agitator motor to prevent long term damage.
- **Pressure Gauge:** Used to calibrate pressure for dense-packing sidewalls and diagnose condition of airlock seals.
- **Re-Lube Bearings:** heavy duty, triple sealed, 'cast iron' bearings allow re-greasing to provide endless life to bearings and eliminate maintenance.
- **Modular Control Panel:** Quick release panel box with plug-in connections for easy removal (for supplier exchange) and direct power diagnostics to motors.
- **Front Panel Reset Overloads:** Easy access to re-set thermal overload protection to all motors and protected electrical components.
- **L.E.D. Plugs/Self Diagnostics:** Easy diagnostics to confirm power to motors.
- **Heavy Duty #16 Gauge Remote Cord:** Heavy gauge wire conductor with double thick protective jacket provides durability to a component exposed to extreme wear and abuse.
- **Scalping Augers:** Cool Machines proprietary technology providing enhanced fiber conditioning and positive feeding to airlock with no fiber bridging in hopper.
- **Turbo Shredder with Rake Fingers:** Uses High Speed Blades coupled with Rake Tines to provide maximum fiber conditioning and production with most fibers. Rake Fingers can be removed if necessary.
- **Airlock Pressure Relief Tube:** Increases production speeds by preventing fiber feed interruption at the hopper drop area.
- **Hopper Extension with Loading Tray*^:** Increases hopper capacity while providing a convenient loading tray.
- **Wheel Package*:** Allows convenient transport of machine between vehicles and job-site.
- **Lid & Dust Curtain*:** Reduces the amount of airborne dust around the machine/loading area.



(*) Denotes an Optional Accessory

(^) Denotes Standard on CE Machines