

## TEMPERATURE MEASUREMENT RECOGNITION



### *Temperature Recognition Terminal*

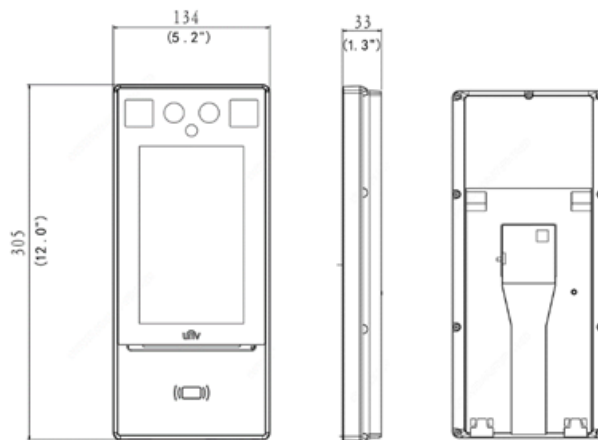
## **UVT-TMRTF**

- > Integrates face recognition technology and non-contact temperature detection technology for simultaneous personnel access authority
- > Non-contact wrist temperature detection module measurement range is between 86°F to 113°F with 0.18°F accuracy at a distance between 1/3" to 1"
- > Fast facial recognition time of less than 1sec
- > Adjustable temperature detection threshold can be configured with personnel access authority
- > PC software for data analysis and reporting
- > Functional and ergonomic design provides fast and efficient temperature detection for comprehensive analysis of personnel in crowded areas
- > Deep learning algorithm model with face recognition accuracy rate > 99%; false rate < 1%
- > Built-in deep learning dedicated chip supports local offline recognition with 10,000 face capacity
- > Option available for wall mount only: UVT-TMRTW

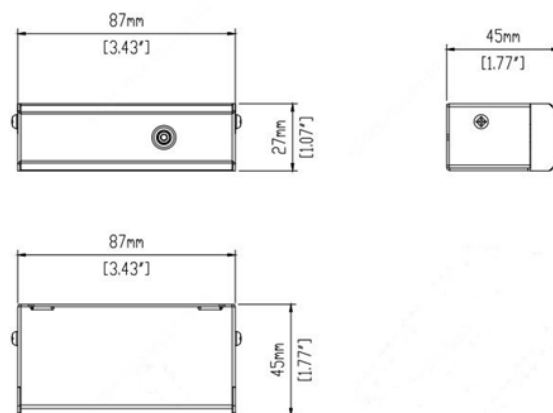
## Specifications

Terminal	
Operation System	Linux
Face Recognition Acc'y Rate	>99%
Face Recognition Time	200ms
Face Capacity	10,000 images
Card Capacity	100,000 users
Storage Capacity	4GB
Event Capacity	30,000 (with images)
Measurement Range	86° ~ 113°F (30° ~ 45°C)
Measurement Accuracy	0.18°F (0.1°C)
Measurement Deviation	≤0.54°F (≤0.3°C)
Measurement Distance	1/3 ~ 1in (1~ 3cm)
Authentication Mode	Face Whitelist: (1: N); Card: (1:N); Face + Body temperature
Door Opening Method	Face, Password, QR code, Card
Communication Mode	10/100Mbps adaptive network port
Card Type	Mifare 1 Card
User Management	Support user library addition, deletion, update
Record Management	Support local recording and real-time upload
Interface	LAN×1, Wiegand Input×1, Wiegand Output×1, RS485×1, Alarm Input×2, Alarm Output×1, USB2.0×1, Lock×1, Door Contact ×1, Exit Button×1
Power / Consumption	Input 12V±25% DC; <25W
Screen	Touch Screen, Size: 7 inch; Resolution: 600×1024
Camera	Dual Lens, 2MP, 1080P
Dimensions (L×W×H)	5.3 x 1.3 x 12in (134 x 33 x305mm)
Working Environment	Terminal: -4° ~ 149°F (-20° ~ 65°C); (Digital Detection Module: 59° ~ 86°F (15° ~ 30°C); RH <95% (non-condensing)
Protection Level	Both terminal and module: IP54
Application Situation	Indoor, No wind

## Dimensions



**Terminal**



**Module**

## Models

- UVT-TMRTF** Kit w/ Floor Stand
- UVT-TMRTW** Wall Mount