

inCONTRO SPORTS

BY CADDYTEK INC. USA



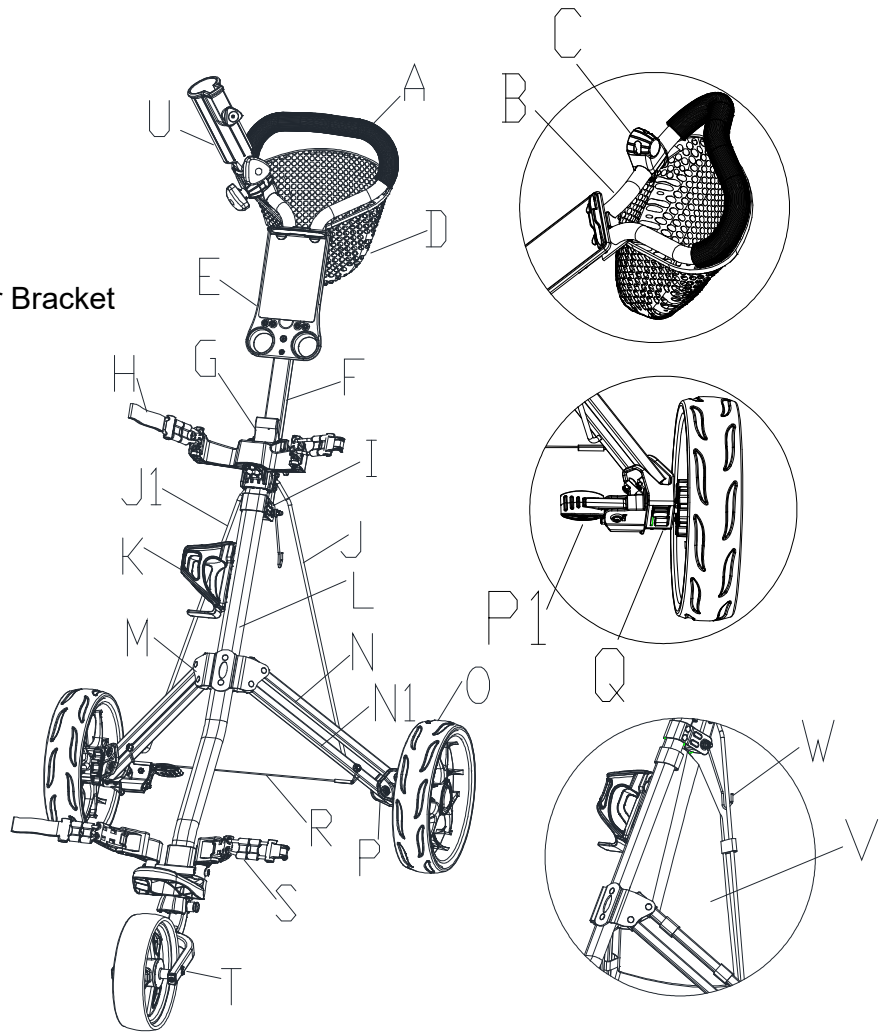
11.5 V3 Push Buggy

INSTRUCTIONAL MANUAL



PARTS IDENTIFICATION:

- A: Ergonomic Handle
- B: Handle Frame
- C: Umbrella Holder Base
- D: Mesh Carry Bag
- E: Scorecard Holder Assembly
- F: Upper Main Frame
- G: Sliding Locking/Unlocking Holder Bracket
- H: Upper Adjustable Bag Straps
- I: Connection Joint
- J: Right Stabilization Bar
- J1: Left Stabilization Bar
- K: Drink Holder
- L: Main Frame
- M: Leg Bracket
- N: Leg Frame
- N1: Leg Frame
- O: Rear Wheel Assembly
- P: Right Wheel Locking Mechanism
- P1: Left Wheel Locking Mechanism
- Q: Foot Operated Park Brake
- R: Anti-Splay Wire
- S: Lower Adjustable Bag Straps
- T: Front Wheel Assembly
- U: Umbrella Holder
- V: Large Carry Bag
- W: Sand Bucket Hook



MAINTENANCE

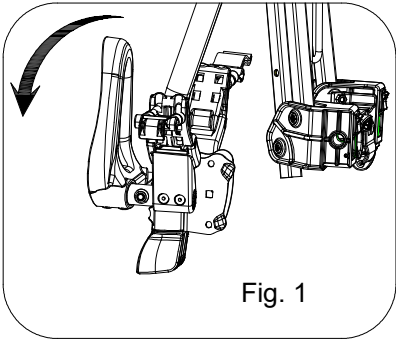
To clean the buggy, wipe with a soft, damp cloth. Avoid the use of harsh cleaning chemicals. Lubricate moving parts every 6 months.

Warning:

For your own safety, please read and understand the following warnings and keep this user guide for future reference.

1. Always make sure the buggy is fully extended and locked before use.
2. Always make sure the buggy is folded and locked properly before lifting or transporting.
3. Do not run while using this product.
4. Do not use accessories other than those designed for use with this buggy.
5. Keep all packing materials away from children and recycle where possible or where required by law.

HOW TO ASSEMBLE THE BUGGY



Extend the lower bag support foot as Fig. 1.

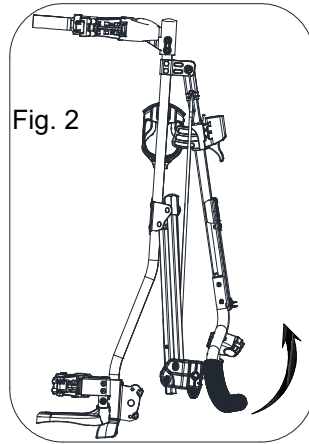


Fig. 2

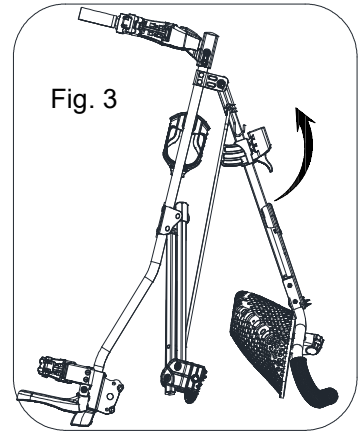


Fig. 3

Holding the lower main frame with one hand, lift the handle/upper frame upwards to extend the buggy as shown Fig. 2&3 until the buggy is fully extended as Fig. 4. Slide down the locking holder into the top of the main body frame to lock the buggy as Fig. 4.

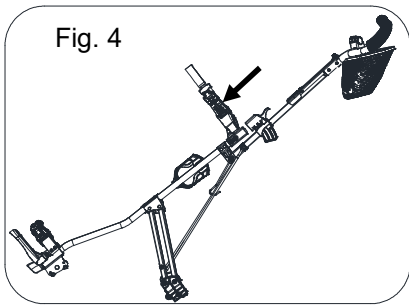


Fig. 4

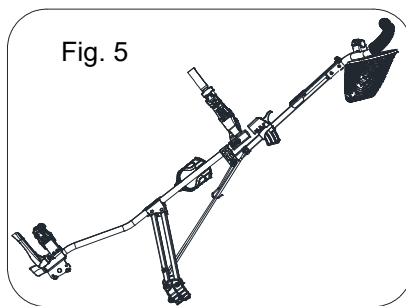


Fig. 5

The upper and main frames are fully extended as Shown in Fig. 5.

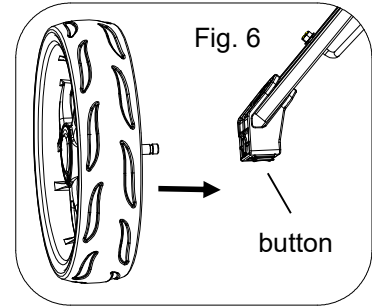


Fig. 6

Press the button on the wheel lock mechanism to install the rear wheel as Fig.6. Repeat for other side.

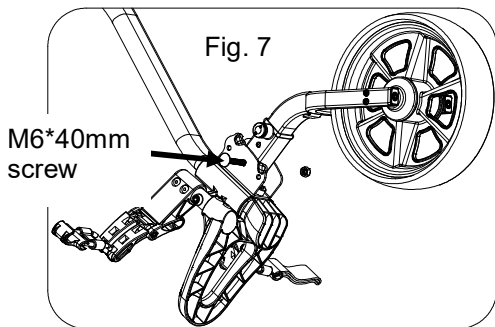


Fig. 7

M6*40mm screw

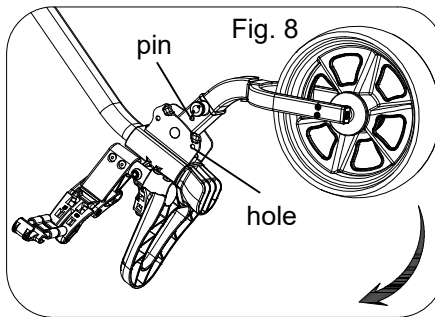


Fig. 8

pin
hole

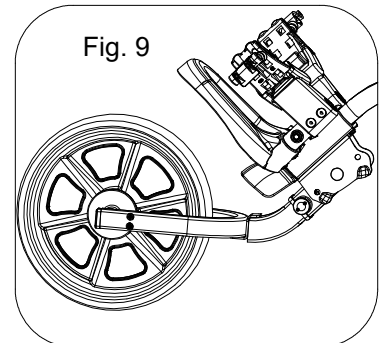
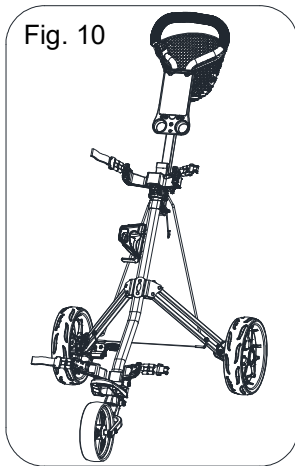


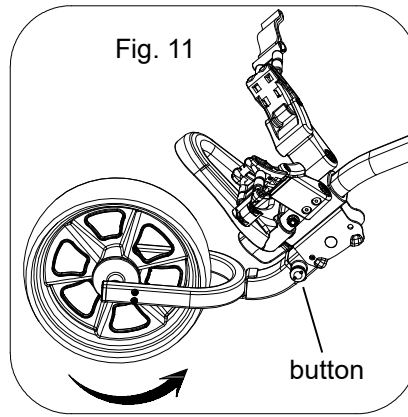
Fig. 9

Install front wheel into the lower frame, use bolt supplied M6*40mm screw and nut as Fig.7. Tighten nut, then rotate front wheel until the pin inserts into the hole as Fig.8&9.

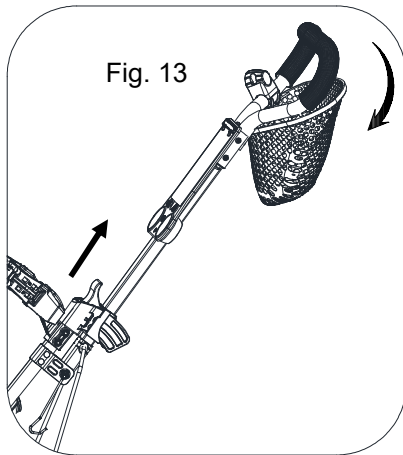
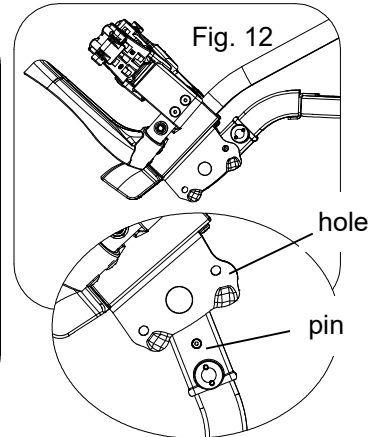
FOLDING DOWN THE BUGGY



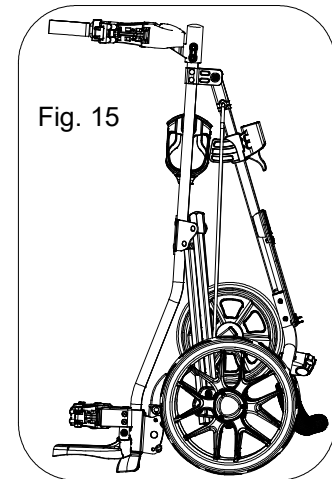
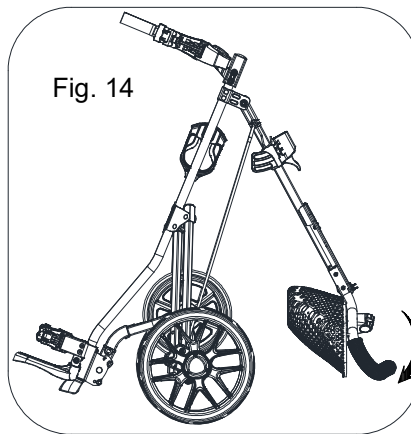
The buggy is fully assembled and extended as Fig.10.



Press the button to release the front wheel, then fold until the pin inserts in the hole as Fig.11 & 12.

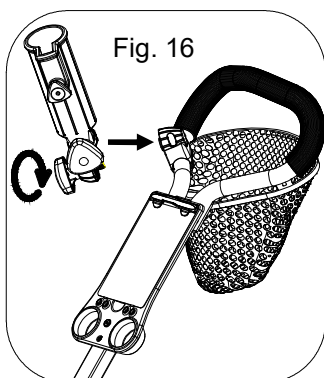


Slide the connecting holder upward to release the upper main frame and fold the upper main frame downward fully to fold the buggy as shown in Fig.13 & 14.

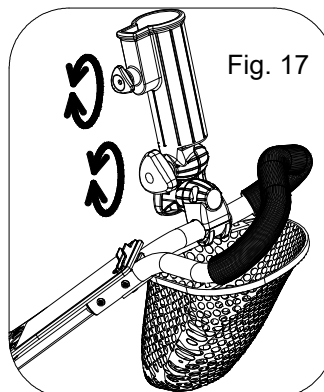


The buggy is fully folded as shown in Fig.15.

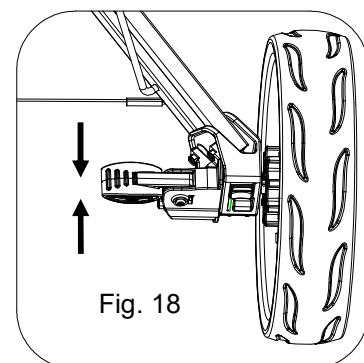
UMBRELLA HOLDER



To install:
Simply attach the umbrella holder onto the buggy as in Fig. 16 & 17.

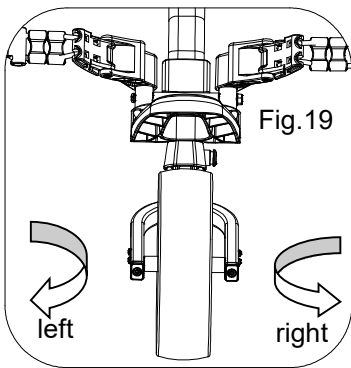


OPERATING THE FOOT BRAKE

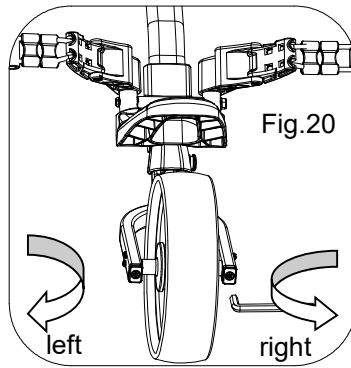


Press the footbrake to engage - lift it up to release as Fig. 18.

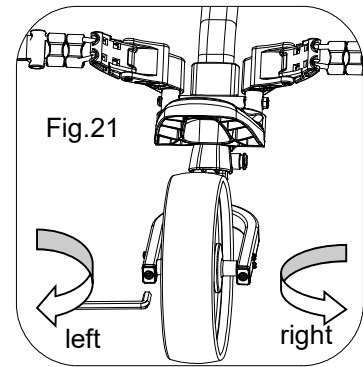
FRONT WHEEL ADJUSTMENT MECHANISM



If during use, you find the buggy veers to the right or left (Fig. 19), please see the Figs. 20/21 to correct this problem.

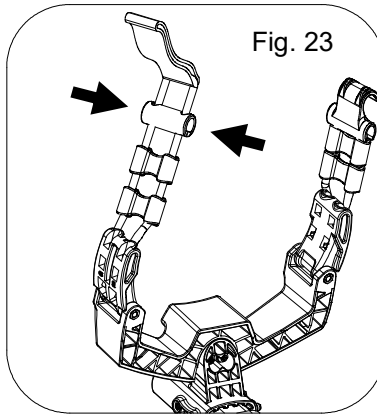
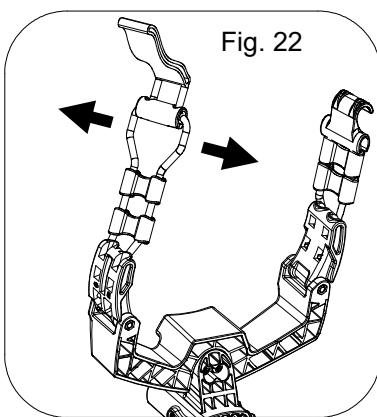


If the buggy veers to the left, face the front wheel of the buggy and use the Allen Key provided to screw the right bolt counterclockwise or the left bolt clockwise until the front wheel is centered between the front fork.(Fig.20)



If the buggy veers to the right, face the front wheel of the cart and use the Allen Key provided to screw the left bolt counterclockwise or the right bolt clockwise until the front wheel is centered between the front fork.(Fig.21)

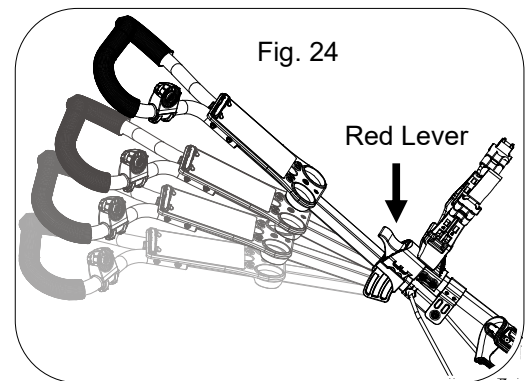
BAG STRAP LENGTH ADJUSTMENT



Refer to the Fig. 22 & Fig.23:

1. Pull the elastic strap out of the strap buckle as in fig. 22.
2. Adjust the strap to the desired length.
3. Push the elastic strap back to the strap buckle as in fig. 23.

ADJUST HANDLE HEIGHT



Press the red lever to adjust the suitable handle height, and then release the lever to lock the handle in position as Fig.24.