

inCONTRO SPORTS

BY CADDYTEK INC. USA



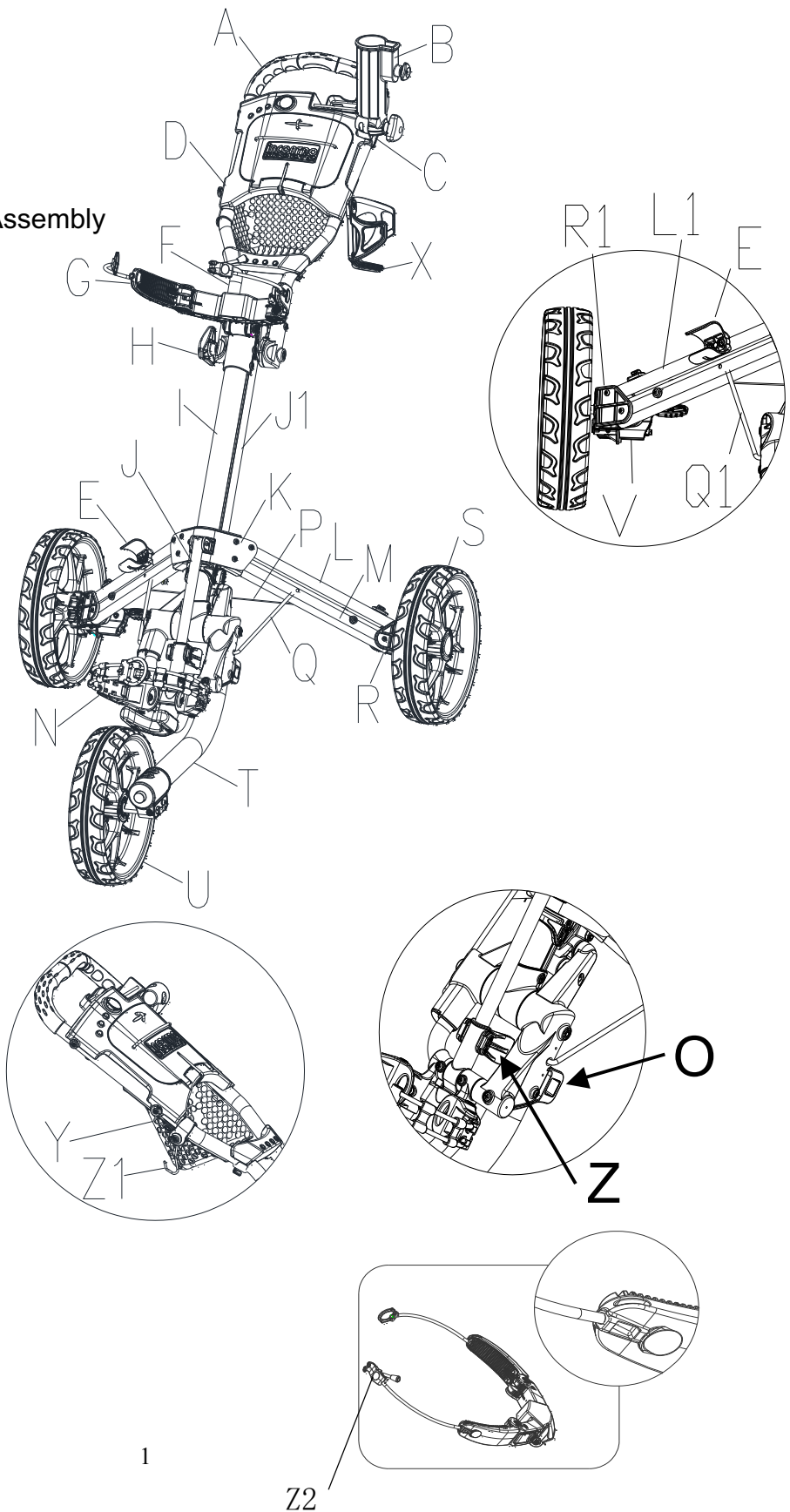
EZ Version 8 Push Buggy

INSTRUCTIONAL MANUAL



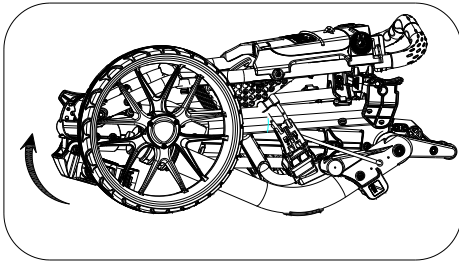
Parts Identification:

- A: Ergonomic Handle
- B: Umbrella Holder
- C: Umbrella Holder Base
- D: Scorecard holder assembly
- E: Umbrella Holder Storage Rack
- F: Handle Frame
- G: Upper Adjustable Bag Straps
- H: Handle Height Adjusting Knob Assembly
- I: Main Frame
- J: Front Connection Rod
- J1: Main Connection Rod
- K: Leg Frame Bracket
- L: Leg Frame
- L1: Leg Frame
- M: Leg Frame
- N: Lower Adjustable Bag Straps
- O: Optional Seat Installation Slot
- P: Supporting Cable
- Q: Right Stabilization Bar
- Q1: Left Stabilization Bar
- R: Right Wheel Lock Mechanism
- R1: Left Wheel Lock Mechanism
- S: Rear Wheel Assembly
- T: Front Wheel Fork Assembly
- U: Front Wheel Assembly
- V: Foot Brake
- X: Drink Holder
- Y: Handle Mesh Carry Bag
- Z: Main frame folding holder
- Z1: Sand Bucket Hook
- Z2: Elastic Rope of Upper Bracket



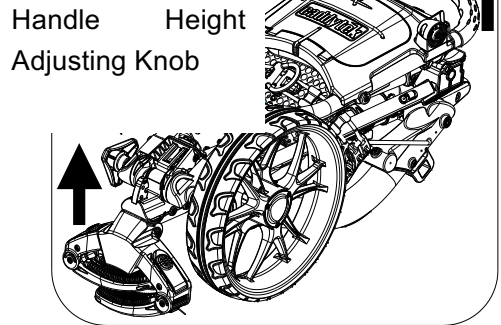
Assemble the Buggy

Fig. 1



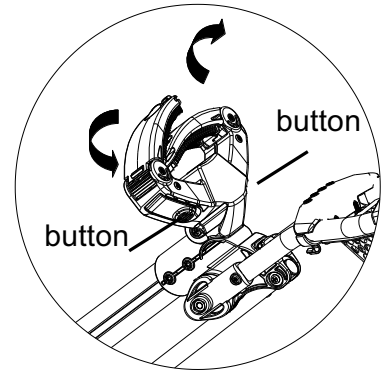
Lift the upper bag holder bracket.

Fig. 2



Make sure the handle height adjusting knob is fully tightened. Pull the handle and upper bag bracket as shown in Fig. 2 to extend the buggy. (Shake the buggy slightly to release the main frame from the holding slot.)

Fig. 3



Press the button on both sides of the golf bag holder mechanism to unfold the bag support wings automatically as shown in Fig. 3.

Unfolding Motion

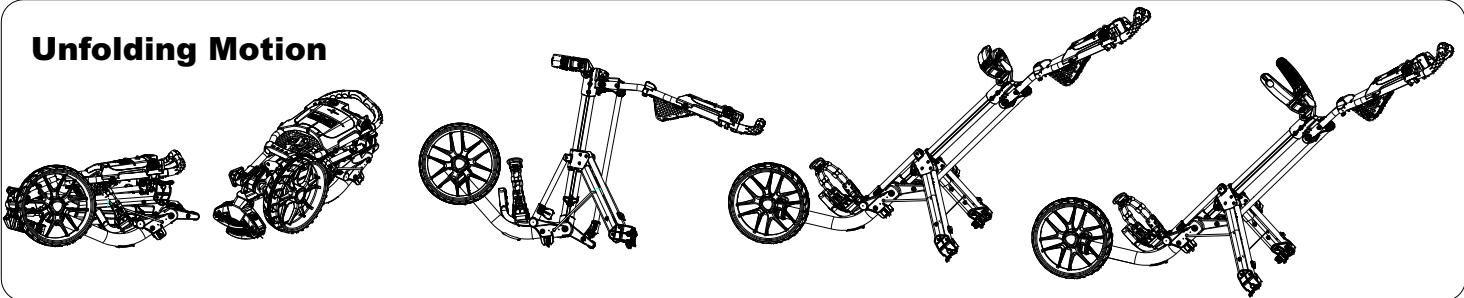
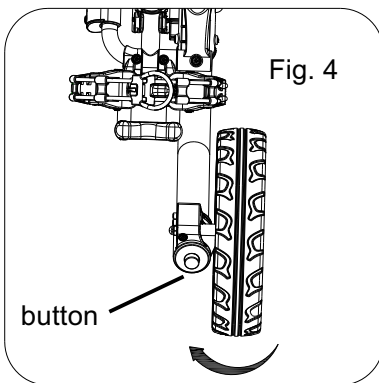
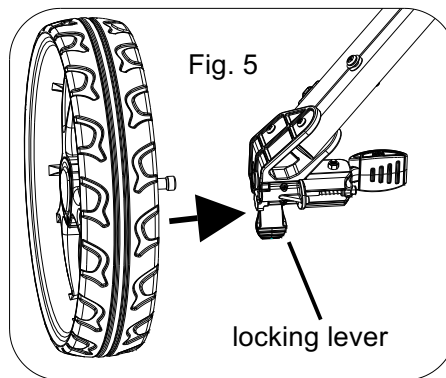


Fig. 4



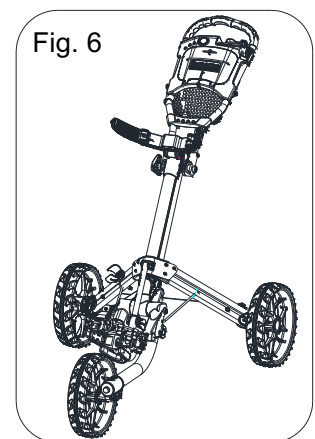
As shown in Fig 4, press the button and rotate the front wheel 180 degree clockwise so the front wheel is at centre of the buggy.

Fig. 5



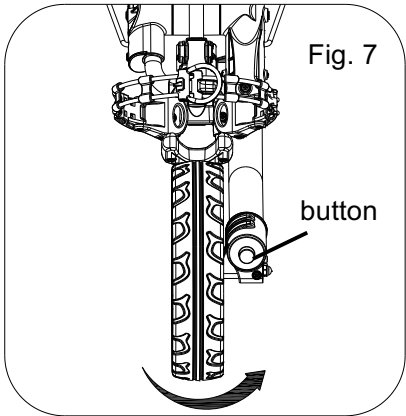
Release the wheel locking lever, insert the wheel axel into the wheel holder completely and then tighten the locking lever.

Fig. 6

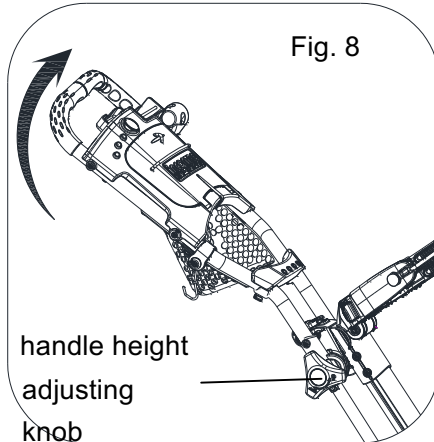


The buggy is fully extended as shown in Fig. 6.

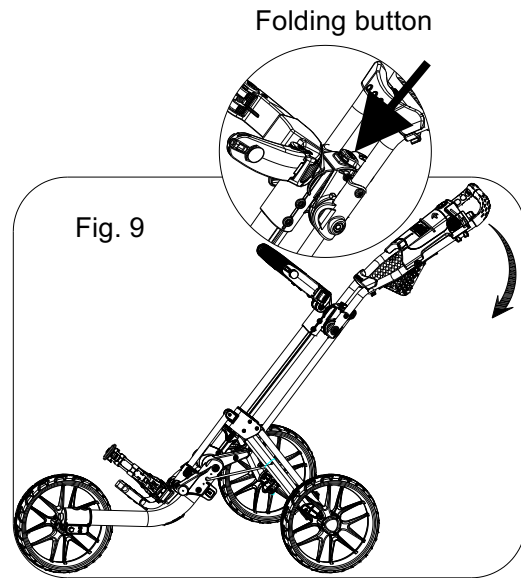
Folding The Buggy



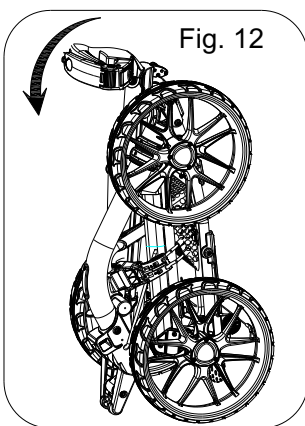
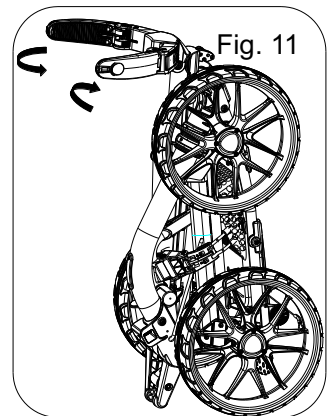
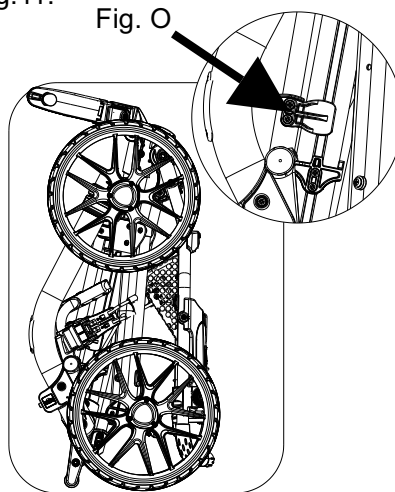
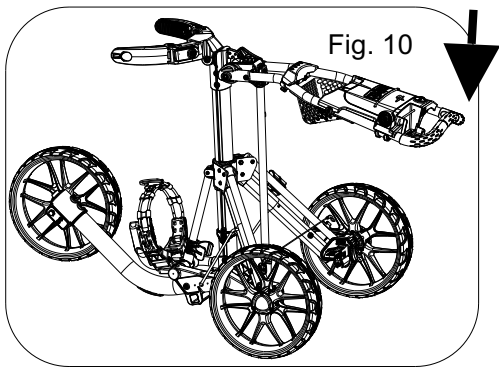
Press the button and rotate the front wheel 180 degree counterclockwise so the front wheel is on the right of the front wheel fork (when you stand in front of the buggy).



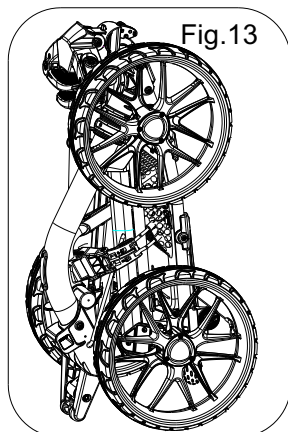
handle height adjusting knob



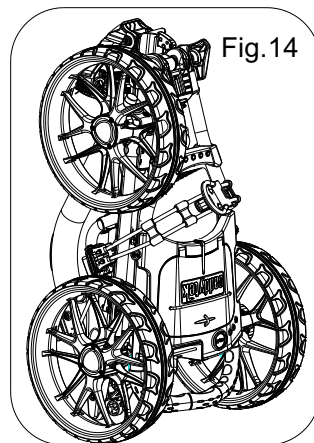
Make sure the handle height adjusting knob is fully tightened. Slightly lift up the handle as Fig. 8 then press the folding button and push the handle downward as shown in Fig. 9. Continue to push down on handle as per Fig. 10, until the main frame clicks into the holding slot as in Fig. O. Then Push the golf bag bracket wings inwards to close the wings as shown in Fig.11.



Fold down the upper bag holder bracket.



The buggy is fully folded.



You can secure the folded buggy with the lower bag holder elastic rope as shown in Fig 14/15



Install The Drink Holder

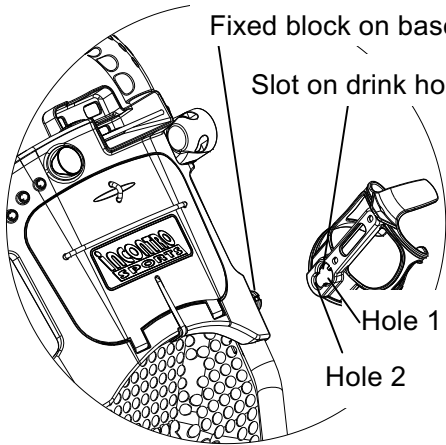


Fig. 16

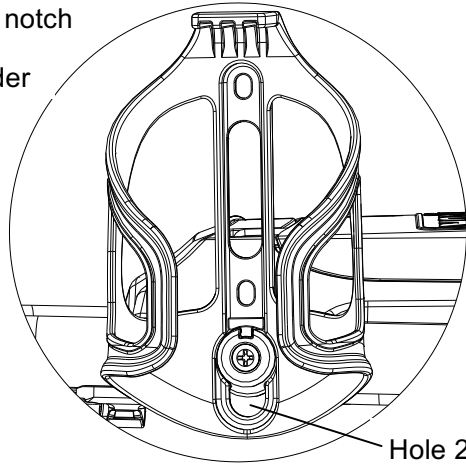


Fig. 17

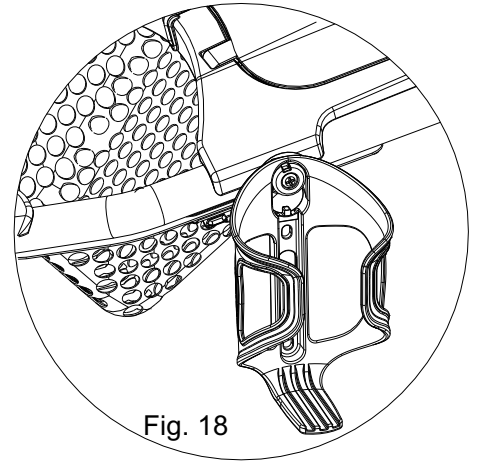


Fig. 18

When installing the drink holder as Fig.16, align the smallest part of the slot on the holder with the fixed blocks. Then pull horizontally to fit the holder on the base as Fig.17 & 18.

Umbrella Holder

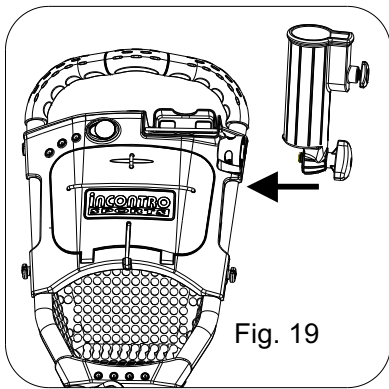


Fig. 19

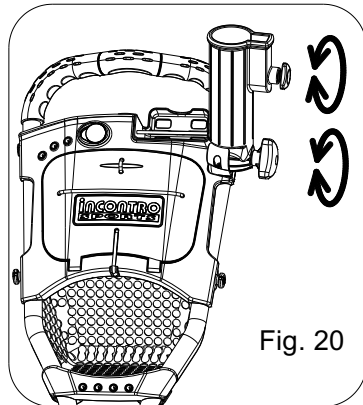


Fig. 20

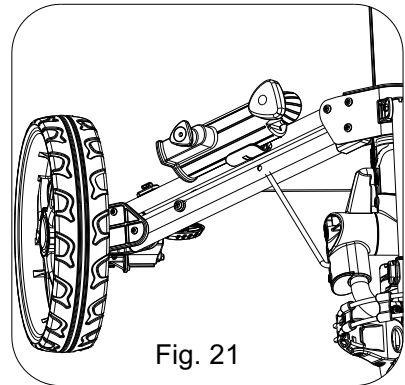


Fig. 21

To install:
Simply attach the umbrella holder onto the buggy as in fig. 19/20.

To store:
Attach the umbrella holder to the storage rack on the right leg frame as in Fig. 21.

Applying The Brake

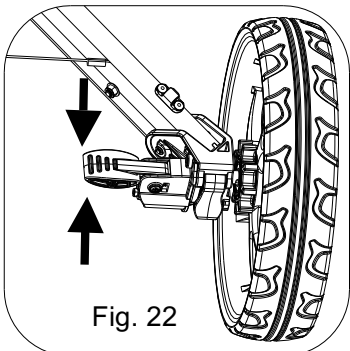


Fig. 22

Press the foot brake to brake, lift it up to release

Upper Bracket

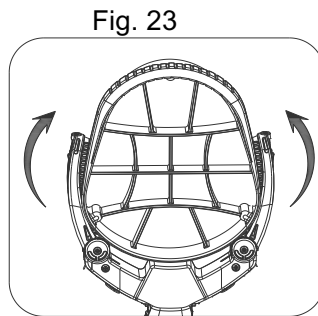


Fig. 23

To Tighten, push both wings inwards to clamp the handlebar as

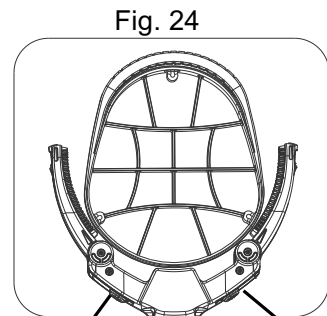


Fig. 24

button button
To release the bag, press the button at the back of

Optional Upper Bag Holder Strap

When playing hilly golf course with steep downhill slopes or if the golf bag is an abnormal shape or size, this optional upper bag holder strap can help to further secure the golf bag and prevent the golf bag moving in the bag holder bracket.

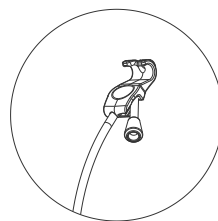
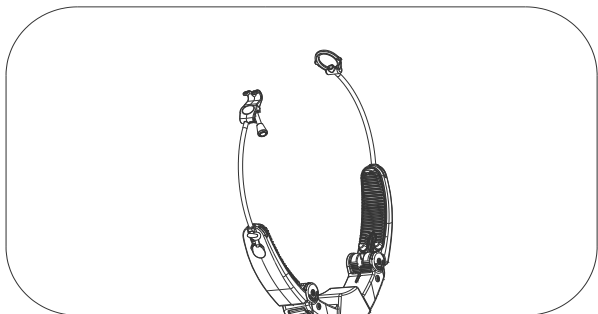


Fig.4

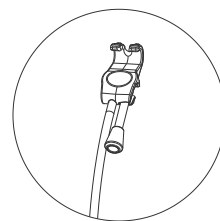


Fig.5

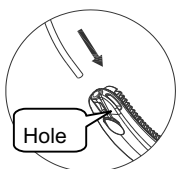


Fig.1

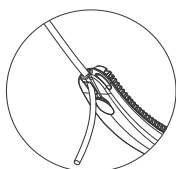


Fig.2

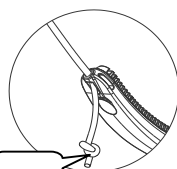
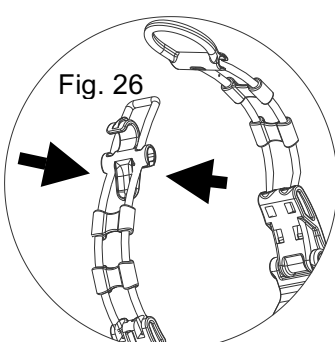
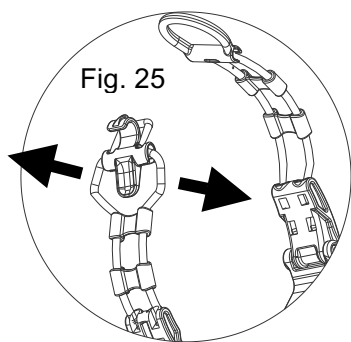


Fig.3

1. Put the elastic strap through the hole on the tip of the bag holder wing as shown in Fig. 1 and Fig.2.
2. Adjust the strap to the desired length, then tie a knot to fix the length of the strap as shown in Fig. 3.

3. The length of the elastic strap can also be adjusted as shown in Fig. 4 and Fig. 5. Pull the strap out of the buckle, adjust the strap length and then set the strap back to the buckle tightly.

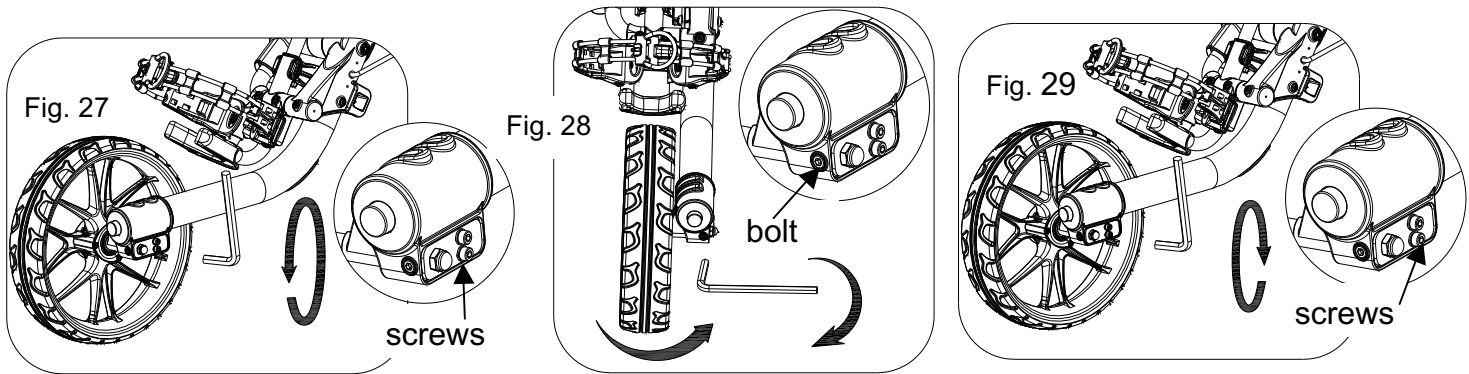
Lower Bag Holder Strap Length Adjustment



Refer to Figs. 25 and 26:

1. Pull the elastic strap out of the strap buckle, as in Fig. 25.
2. Adjust the strap to the desired length.
3. Push the elastic strap back to the strap buckle, as in Fig. 26.

Front Wheel Alignment



If the buggy veers to the right:

Step 1: Face the front wheel of the buggy and use the provided Allen Key to loosen the two side screws as in fig. 27.

Step 2: Then use the Allen Key to adjust the front bolt clockwise until the front wheel is centered as in Fig. 28. Then tighten the two side screws as in fig. 29.