

FLOATING SHELF INSTALLATION

TOOLS REQUIRED

STUD FINDER



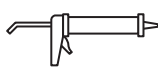
MEASURING TAPE



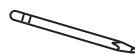
LEVEL



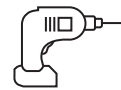
PAINTER'S CAULK



PENCIL



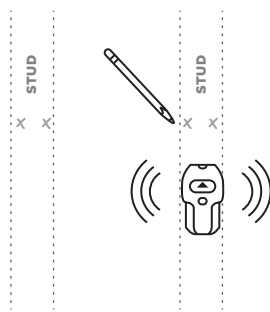
DRILL



17/64" METAL DRILL BIT
3/16" DRILL BIT
3/8" SOCKET/DRIVER

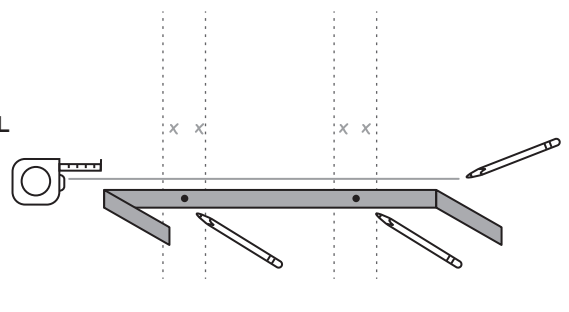
1

LOCATE THE STUDS IN AREA OF INSTALLATION



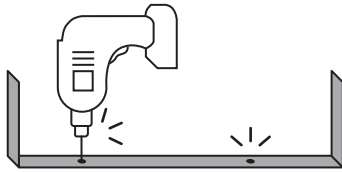
2

POSITION THE TOP OF THE STEEL ON THE WALL 3/8" BELOW THE TOP OF THE DESIRED SHELF HEIGHT AND 1 1/2" IN FROM ENDS. MARK THE STEEL AT EACH STUD LOCATION.



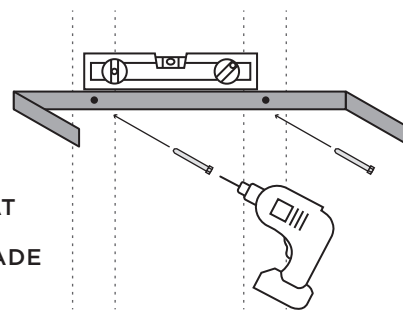
3

AT EACH STUD LOCATION, DRILL A 17/64" CLEARANCE HOLE IN THE STEEL FOR THE SCREWS PROVIDED.



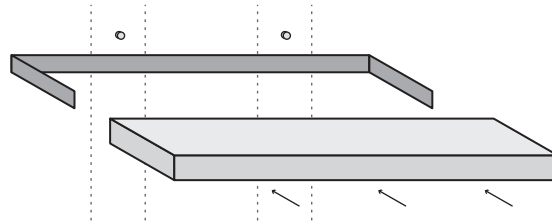
4

DRILL 3/16" PILOT HOLES IN THE STUDS, ATTACH THE STEEL BRACKET WITH THE SCREWS PROVIDED. AT THIS POINT STEEL BRACKET MUST BE MADE SECURE AND LEVEL.



5

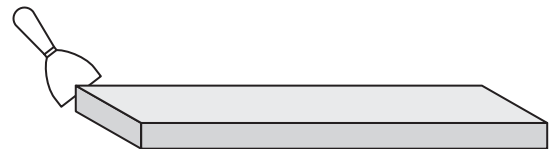
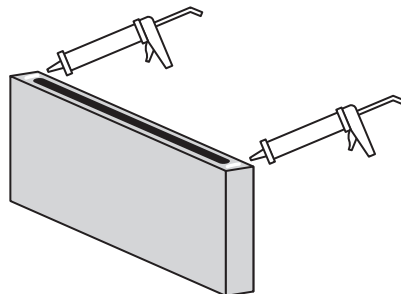
FIT THE WOOD SHELF ONTO THE STEEL BRACKET. YOU MAY SCRIBE AS MUCH AS 1/4" FROM THE BACK EDGE OF THE SHELF TO MATCH ANY UNFAIRNESS IN THE WALL.



THE WOOD SHELF MUST BE SECURED SO IT CANNOT SLIDE OFF OF THE STEEL BRACKET

6

APPLY A QUARTER SIZE DALLOP OF PAINTER'S CAULK TO ENDS OFF THE SHELF WHERE IT MEETS THE WALL AND CLEAN OF ANY EXCESS.



NOTE: DO SO IN A MANNER WHERE SHOULD THERE BE A FUTURE NEED TO REMOVE THE SHELF IT WILL BE POSSIBLE TO WORK A THIN PUTTY KNIFE BETWEEN THE SHELF AND THE WALL TO CUT THE ADHESIVE.

CUSTOM FLOATING SHELVES

Handmade in St. Petersburg, FL USA