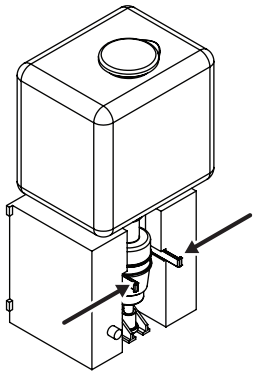


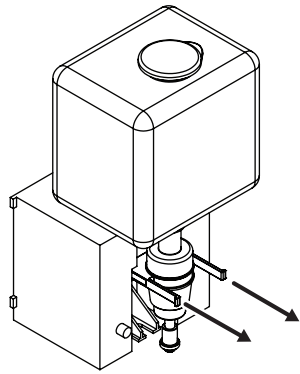
HANDY SANITISER -

REFILL

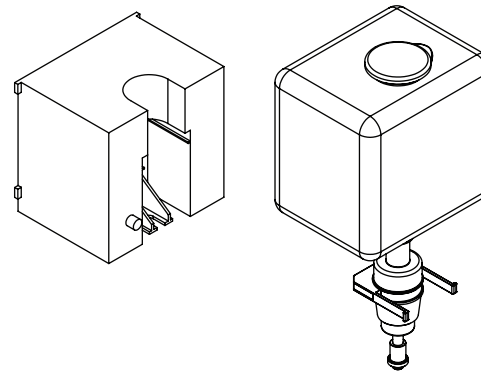
1



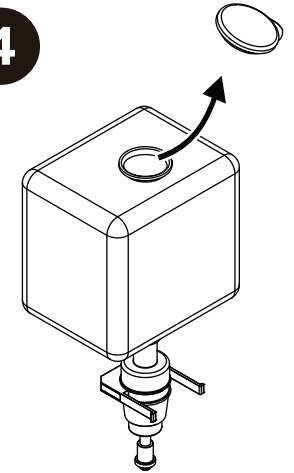
2



3



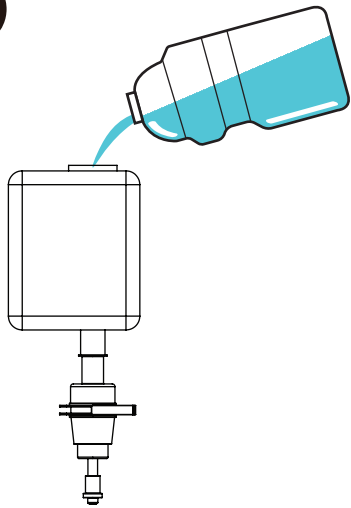
4



- Ensure tank is empty
- Squeezing the tabs, carefully pull nozzle and tank out

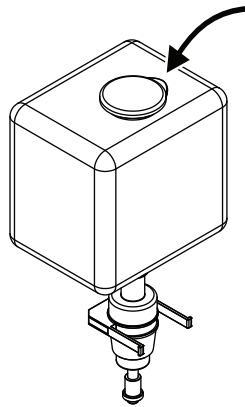
- Remove tank cap

5



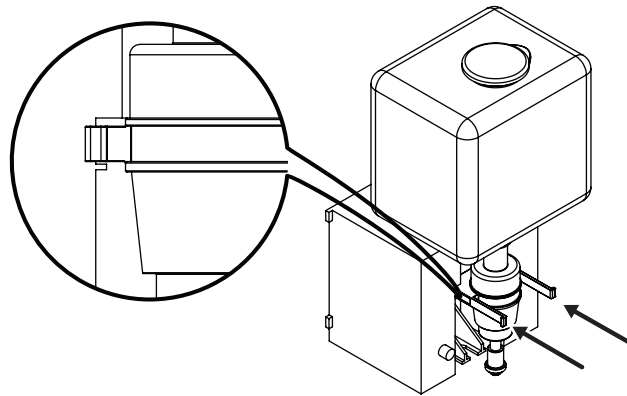
- Refill tank (do not over fill)

6



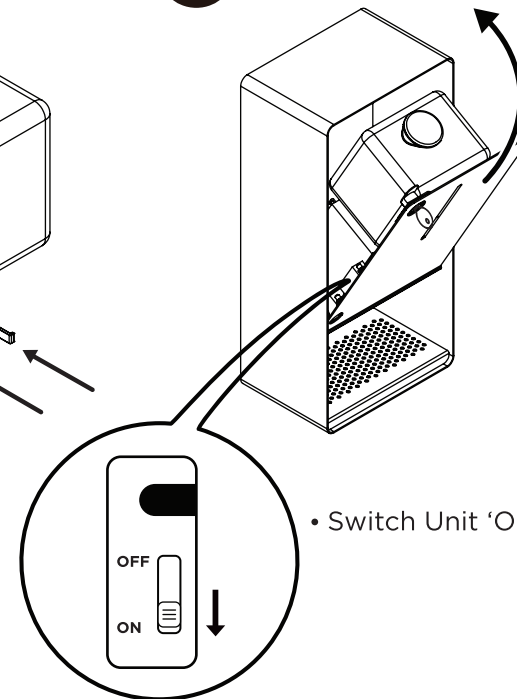
- Replace tank cap

7



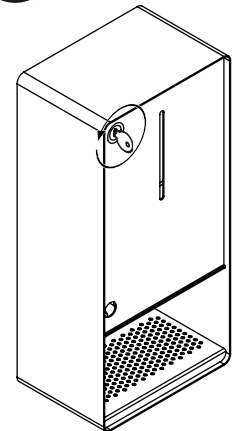
- Return nozzle and tank to its original position until it fits into place

8



- Switch Unit 'ON'

9



- Close & lock door
- Replace graphic